



AIR LOADED HIGH PRESSURE, HYDRAULIC *Pressure Reducing Regulators*

6500AL SERIES

PREMIER INDUSTRIES

1590 99th Ln NE,
Minneapolis, MN 55449
763-786-4020



MADE IN THE USA

Minneapolis, MN

DESCRIPTION

Premier 6500AL Series air loaded, pressure reducing regulators are your affordable and compact solution for high pressure, hydraulic applications. These rugged, piston sensed regulators are rated for 6000 PSIG (413.69 bar) and Cv: 0.06 or 0.2. With a maximum loading pressure of 1000 PSIG, and three available load ratios, 1:2, 1:3, and 1:4, a vast range of outlet pressures can be controlled (*maximum outlet pressure of 4000 PSIG / 275.79 bar with a 1:4 ratio*). Premier 6500AL regulators feature captured venting to safely pipe away expelled media. With a variety of construction material options, load ratios, porting configurations, and mounting options, you can be confident the Premier 6500AL Series air loaded, pressure reducing regulator will integrate seamlessly into your hydraulic application.

FEATURES

- Compatible with electro-pneumatic controllers & manual pilot regulators
- Piston Sensed
- Captured venting
- Compact design
- Machined bar stock body and piston eliminates porosity found in castings
- Bottom mount (*standard*)
- Optional panel mounting
- Two or four port designs available

6500AL SERIES

AIR LOADED HIGH PRESSURE, HYDRAULIC Pressure Reducing Regulators



SPECIFICATIONS

- **MAXIMUM INLET PRESSURE:**
 - 6000 PSIG (413.69 bar)
- **MAXIMUM LOADING PRESSURE:**
 - 1000 PSIG (68.95 bar)
- **LOADER RATIO / OUTLET PRESSURE:**
 - 1:2, 2000 PSIG MAX (137.9 bar)
 - 1:3, 3000 PSIG MAX (206.84 bar)
 - 1:4, 4000 PSIG MAX (275.79 bar)
- **Cv:** 0.06 or 0.2
- **LEAK RATE:** Bubble tight N₂

MATERIALS OF CONSTRUCTION

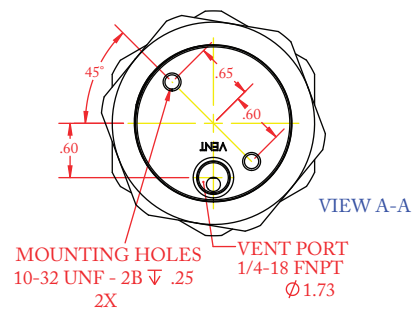
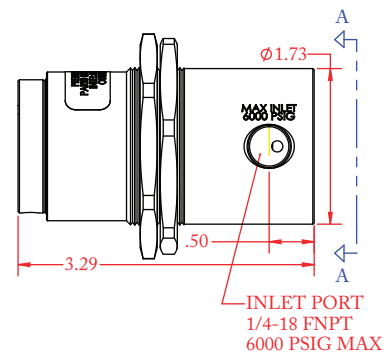
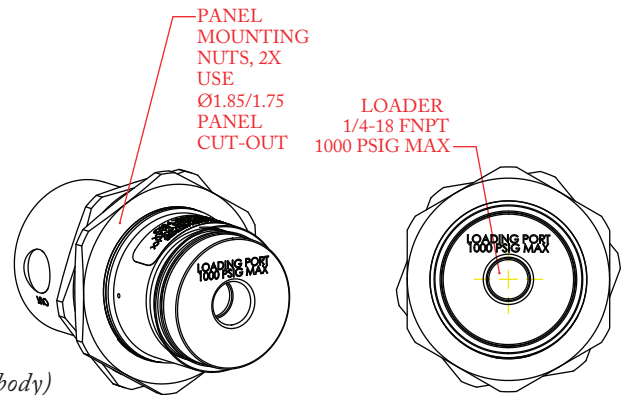
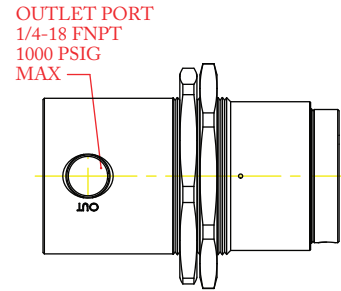
- **BODY & BONNET:**
 - 6061-T6 Aluminum, Clear Anodized (standard)
 - 303 Stainless Steel
 - 316 Stainless Steel
- **PISTON & HOUSING:**
 - 303 stainless steel (303 stainless body & aluminum body)
 - 316 Stainless steel (316 stainless body)
- **MAIN VALVE COMPONENTS:**
 - 300 Series Stainless Steel (303 stainless steel body/aluminum body)
 - 316 Stainless steel (316 stainless steel body)
- **MAIN VALVE SEAT:**
 - PEEK®
 - Vespel®
- **O-RING SEALS:**
 - Nitrile
 - Viton®
 - EPDM
 - Neoprene
- **PANEL MOUNTING NUTS (OPTIONAL):**
 - 6061-T6 Aluminum, Nickel Plated

PORTING

- **STANDARD INLETS:** 1/4" FNPT
- **STANDARD OUTLETS:** 1/4" FNPT
- **DOME PORT:** 1/4" FNPT
- **VENT PORT:** 1/4" FNPT
- **GAUGE PORTS:** 1/8" FNPT

OPTIONS

- Gauges
- Private label
- Panel mounting nuts (X2 required)
(Order Separately: P/N 50-11803)
- For custom materials of construction
(monel®, hastelloy® etc.) please contact factory.



(P/N: 50-12370 shown above)



**AIR LOADED
HIGH PRESSURE, HYDRAULIC**
Pressure Reducing Regulators



PART #	-	1	2	-	3	4	5	-	6	7
50-12370	-			-				-		

1	BODY & BONNET MATERIAL / FINISH
1	6061-T6 Aluminum <i>Clear Anodize</i>
2	303 Stainless Steel <i>Clean per spec #515</i>
3	316 Stainless Steel <i>Clean per spec #515</i>
2	PORTING
1	2 port
2	4 port
3	O-RING MATERIAL
1	Nitrile
2	Viton®
3	EPDM
4	Neoprene

4	SEAT MATERIAL
4	PEEK®
5	VespeI®
5	Cv (FLOW)
1	0.06
2	0.2
6	GAUGES
1	None
2	Include gauges <i>(4 port only)</i>

7	LOADER RATIO (OUTLET PRESSURE)
2	1:2 (2000 psig / 137.9 bar <i>max outlet</i>)
3	1:3 (3000 psig / 206.84 bar <i>max outlet</i>)
4	1:4 (4000 psig / 275.79 bar <i>max outlet</i>)

PEEK® is a registered trademark of Victrex PLC
 VespeI® and Viton® are registered trademarks of E.I. duPont de Nemours & Company
 For custom materials of construction (monel®, hastelloy® etc.) please contact factory.
 Contact factory for material certifications. Fees may apply.