



HIGH PRESSURE 15000 PSIG *Back Pressure Regulators*



PREMIER INDUSTRIES

1590 99th Ln NE,
Minneapolis, MN 55449
763-786-4020



MADE IN THE USA
Minneapolis, MN

DESCRIPTION

High pressure Premier 3123 Series back pressure regulators are single stage, piston sensed, variable control pressure regulators, rated for inlet pressures up to 15000 PSIG (*1034.21 bar*) with a control pressure range of 300-15000 PSIG (*20.68 - 1034.21 bar*). For optimum compatibility with your desired application, we offer a choice of two seat materials: Vespel® and PEEK®. The 3123 Series regulator features a low torque hand knob for smooth adjustments.

FEATURES

- Rated for pressures up to 15000 PSIG (*1034.21 bar*)
- Flow capacity (Cv): 0.06, 0.14, or 0.20
- Low torque ball bearing hand knob
- Very competitive pricing
- Machined bar stock body, bonnet and piston eliminates porosity found in castings
- Numerous optional features are available.

*The Premier 3123 Series pressure reducing regulator's design is remarkably flexible.
Contact Premier Industries for a custom 3123 Series regulator to meet your exact needs.*



HIGH PRESSURE 15000 PSIG Back Pressure Regulators



SPECIFICATIONS

- **MAXIMUM INLET PRESSURE:** 15000 PSIG (1034.21 bar)
- **CONTROL PRESSURE RANGE:**
 - 300-15000 PSIG (20.68 - 1034.21 bar)
- **FLOW (Cv):** 0.06, 0.14, or 0.20
- **OPERATING TEMPERATURE:**
 - -15°F/-26°C to 165°F/74°C (BUNA-N)
 - -4°F/-20°C to 165°F/74°C (VITON-A®)
 - -65°F/-54°C to 165°F/74°C (EPDM)
 - 15°F/-9°C to 165°F/74°C (AFLAS)
 - -65°F/-54°C to 165°F/74°C (NITRILE)

MATERIALS OF CONSTRUCTION

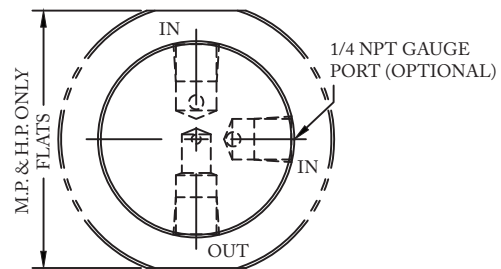
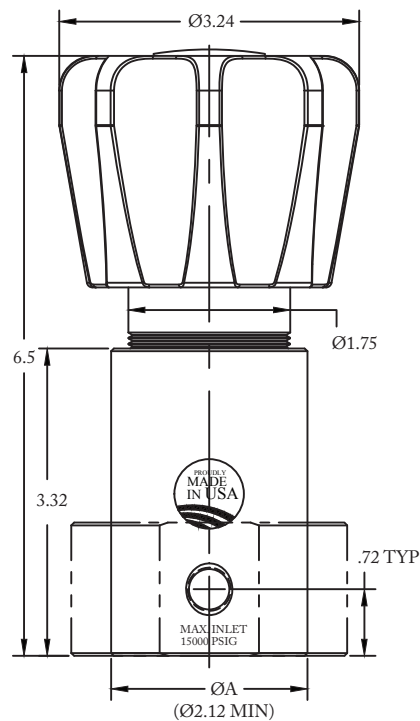
- **BODY :**
 - 316 Stainless Steel,
- **BONNET:**
 - 17-4 Stainless Steel
- **WETTED PARTS, OTHER:**
 - 316 Stainless Steel
 - 17-4 Stainless Steel
 - PH15-7Mo Stainless Steel
- **O-RINGS:**
 - BUNA-N
 - AFLAS®
 - Viton-A®
 - EPDM
 - KALREZ® (Contact factory for pricing)
 - Nitrile, Lo-temp
- **BACK-UP RINGS:** PTFE or PCTFE
- **VALVE SEAT:**
 - Vespel®
 - PEEK®

PORTING

- **INLET/OUTLET PORTING OPTIONS:**
 - 1/4", 3/8" FNPT
 - 1/4", 3/8", 9/16" Medium pressure
 - 1/4", 3/8" High pressure

OPTIONAL ITEMS

- Inlet gauge
- Private label
- Panel mounting bracket (P/N: 30-10059)
- Panel mounting nuts with threaded body



Part number shown above: 30-10223

BODY DIMENSIONS		
PORT TYPE	ØA	FLATS
1/4 & 3/8 NPT	Ø2.12	—
1/4" M.P. & H.P.	Ø2.12	1.98
3/8" M.P.	Ø2.48	2.36
3/8" H.P.	Ø2.98	2.78
9/16" M.P.	Ø2.98	2.78



HIGH PRESSURE 15000 PSIG Back Pressure Regulators



SERIES	-	1	2	3	4	5	-	6 7	-	8
30-10223G	-						-		-	

1	OUTLET PRESSURE
8	300-15000 PSIG 20.68-1034.21 Bar
2	PORTING CONFIGURATION
H	
S	
3	PORT SIZE
4	1/4"
6	3/8"
9	9/16" (Only available in medium pressure)

4	PORT TYPE (1/4" FNPT gauge port)
1	FNPT
4	Medium Pressure
5	High Pressure
5	VALVE SEAT
0	Vespel®
3	PEEK®

6 7	O-RINGS
00	BUNA-N
01	AFLAS®
02	VITON®
05	EPDM
11	KALREZ® (Contact factory for pricing)
12	Nitrile, Low-temp
8	Cv (FLOW)
0	0.06
1	0.14
2	0.20

15000 PSIG MAX INLET

The end user is responsible to ensure adequate fittings are used to connect regulator to plumbing.

Kalrez® Vespel® & Viton® are registered trademarks of E.I. duPont de Nemours and Company

AFLAS® is a registered trademark of the Asahi Glass Co., Ltd. PEEK® is a registered trademark of Victrex PLC

Contact factory for material certifications. Fees may apply.