



DIAPHRAGM SENSED STABLE SET PRESSURE *Pressure Reducing Regulators*

2510 SERIES

PREMIER INDUSTRIES

1590 99th Ln NE,
Minneapolis, MN 55449
763-786-4020



MADE IN THE USA

Minneapolis, MN

DESCRIPTION

Premier 2510 Series pressure reducing regulators are part of a new family of Stable Set Pressure (SSP) regulators from Premier Industries. These single stage regulators are equipped with new technology that enables increased stability in delivery pressure and a significantly reduced supply pressure effect (*decaying inlet characteristic*). These diaphragm sensed, general purpose cylinder and line regulators are available with a wide range of materials/porting options. The Premier 2510 Series feature the choice of a neoprene or 316 stainless steel diaphragm, max inlet pressure of 3500 PSIG (241.3 bar) and Cv 0.20.

FEATURES

- Reduced decaying inlet characteristic (*supply pressure effect*) in a single stage design
- Cv 0.20
- 3500 PSIG (241.3 bar) max inlet pressure
- Machined bar stock body & bonnet, eliminates porosity found in castings
- Optional integral outlet pressure relief valve
- Economical pricing
- Optional integral needle style shut off valve
- Optional low profile hand knob
- Compact 1.5 inch diameter body option available

2510 SERIES

DIAPHRAGM SENSED STABLE SET PRESSURE *Pressure Reducing Regulators*



SPECIFICATIONS

- **MAXIMUM INLET PRESSURE:** 3500 PSIG (241.3 bar)
- **CONTROL PRESSURE RANGES:**
 - 0-10 PSIG (0 - 0.69 bar)
 - 0-25 PSIG (0 - 1.72 bar)
 - 0-50 PSIG (0 - 3.45 bar)
 - 0-100 PSIG (0 - 6.89 bar)
 - 0-250 PSIG (0 - 17.24 bar) *stainless steel diaphragm only*
 - 0-500 PSIG (0 - 34.47 bar) *stainless steel diaphragm only*
- **FLOW (Cv):** 0.20

MATERIALS OF CONSTRUCTION

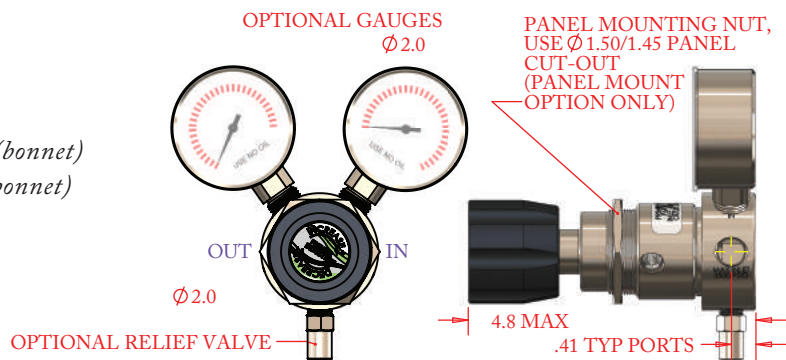
- **BODY/BONNET MATERIAL OPTIONS**
 - SAE 360 Brass, Bright Dip (*body & bonnet*)
 - SAE 360 Brass, Nickel Plated (*body & bonnet*)
 - 303 Stainless Steel (*body*), Brass Nickel Plated (*bonnet*)
 - 316 Stainless Steel (*body*), 303 Stainless Steel (*bonnet*)
- **DIAPHRAGM OPTIONS:**
 - Neoprene
 - 316 Stainless Steel
- **O-RING SEAL MATERIAL:**
 - Nitrile
 - Viton®
 - EPDM
 - Neoprene
 - Kalrez® (*contact factory for pricing*)
- **VALVE SEAT:**
 - PCTFE
 - PTFE
- **OTHER WETTED COMPONENTS:**
 - SAE 360 Brass & 300 Series Stainless Steel
- **OPTIONAL GAUGES:**
 - 2.0" diameter, brass wetted components, finish to match body/bonnet finish

PORTING

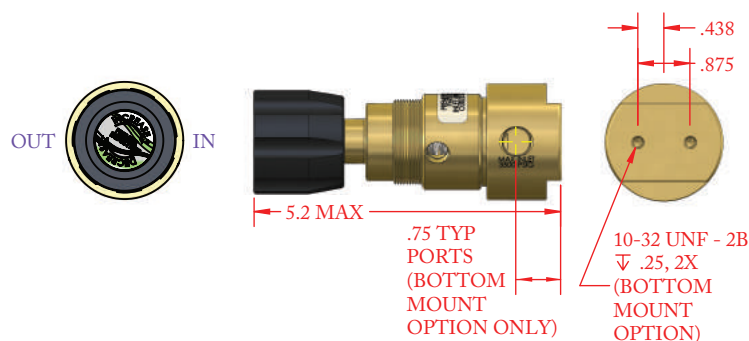
- **INLET:**
 - 1/8 FNPT
 - 1/4 FNPT
- **OUTLET:**
 - 1/8 FNPT
 - 1/4-18 NPT (on 1.75" and 2.0" diameter bodies)

OPTIONS

- Gauges, brass wetted components, finish to match body/bonnet finish
- Body/material finishes and diameters
- Private label
- Panel mounting nut
- Bottom mounting holes
- Pressure relief valves
- CGA connections



(Part number: 50-12308-2I-XX-X2-22 shown above)



(Part number: 50-12308-1C-XX-X1-13 shown above)



DIAPHRAGM SENSED STABLE SET PRESSURE *Pressure Reducing Regulators*



PART #	-	1	2	-	3	4	-	5	6	-	7	8	9
50-12308	-			-			-			-			

1	BODY/BONNET MATERIAL & FINISH
1	SAE 360 Brass, Bright Dip (body & bonnet)
2	SAE 360 Brass, Nickel Plated (body & bonnet)
3	303 Stainless Steel (body), SAE 360 Brass, Nickel Plated (bonnet)
4	316 Stainless Steel (body), 303 Stainless Steel (bonnet)
2	PORTING OPTIONS
S	
A	
B	
C	
D	
E	
F	
G	
H	
I	
J	

3	MAIN VALVE SEAT MATERIAL
1	PCTFE
2	PTFE
4	O-RING SEAL MATERIAL
1	Nitrile
2	Viton®
3	EPDM
4	Neoprene
5	Kalrez® (contact factory for pricing)
5	OUTLET PRESSURE (outlet gauge range)
1	0 - 10 PSIG / 0 - 0.69 bar (per application)
2	0 - 25 PSIG / 0 - 1.72 bar (0-60 PSIG gauge)
3	0 - 50 PSIG / 0 - 3.45 bar (0-100 PSIG gauge)
4	0 - 250 PSIG / 0 - 17.24 bar (0-400 PSIG gauge) stainless steel diaphragm only
5	0 - 500 PSIG / 0 - 34.47 bar (0-600 PSIG gauge) stainless steel diaphragm only
6	0 - 100 PSIG / 0 - 6.89 bar (0-160 PSIG gauge)

6	GAUGES (see note 1)
1	No gauges
2	Include gauges
7	RELIEF VALVE (see note 2)
1	No relief valve
2	Include relief valve
8	MOUNTING
1	None
2	Panel mount
3	Bottom mount
4	Panel mount & bottom mount
9	DIAPHRAGM MATERIAL
Blank	Neoprene Outlet pressure: 100 psig (6.89 bar) max
S	316 Stainless Steel Outlet pressure: 500 psig (34.47 bar) max

NOTES:
1. INLET GAUGE ON S,D,F,G,H, & I
2. RELIEF VALVE AVAILABLE ON PORTING CONFIGURATION I ONLY. RELIEF VALVE SETTING 90-420 PSIG BASED ON OUTLET PRESSURE OPTION. NOT AVAILABLE FOR 500 PSIG OUTLET.