



**HIGH FLOW, Cv 5.0
LOW PRESSURE
AIR LOADED
Back Pressure Regulators**



PREMIER INDUSTRIES

1590 99th Ln NE,
Minneapolis, MN 55449
763-786-4020



MADE IN THE USA
Minneapolis, MN

DESCRIPTION

Premier 5150AL Series air loaded, single stage, high flow, low pressure, piston sensed, back pressure regulators, designed for control pressures up to 600 PSIG (41.37 bar), and Cv 5.0. The 5150AL features an air loader with a max load pressure of 100 PSIG (6.89 bar).

FEATURES

- Flow capacity (Cv): 5.0
- Compatible with electro pneumatic controllers
- Economical pricing
- Machined bar stock body eliminates porosity found in castings



HIGH FLOW, Cv 5.0 LOW PRESSURE AIR LOADED *Back Pressure Regulators*



SPECIFICATIONS

- **CONTROL PRESSURE:** 600 PSIG (41.37 bar)
- **MAX AIR LOAD:** 100 PSIG (6.89 bar)
- **FLOW (Cv):** 5.0

MATERIALS OF CONSTRUCTION

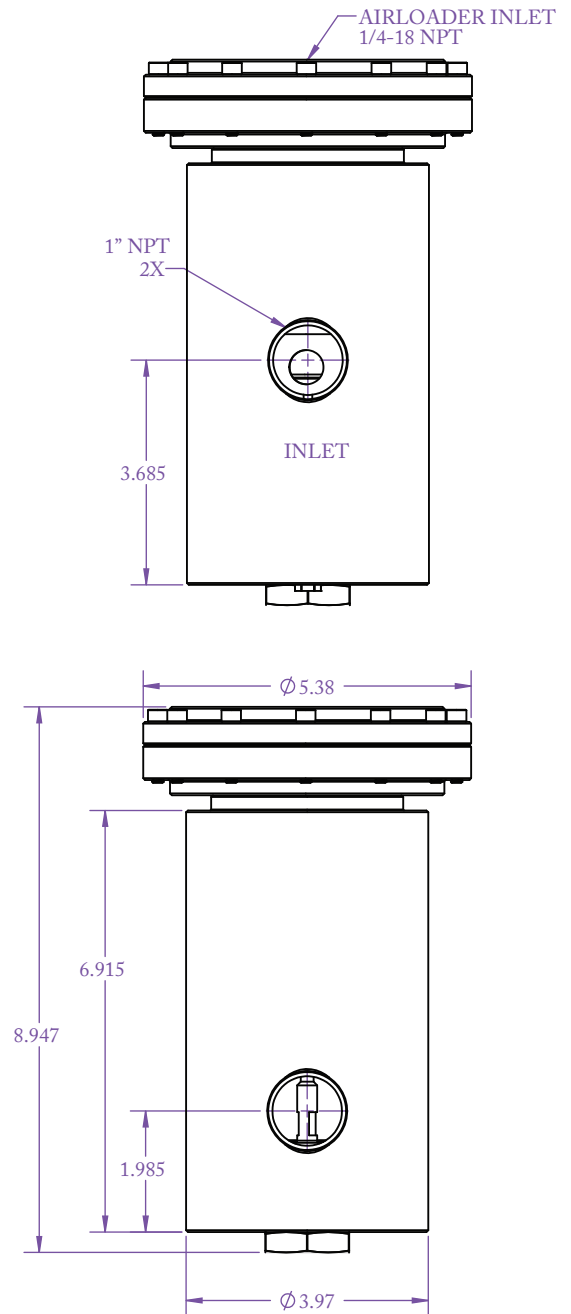
- **BODY OPTIONS:**
 - 316 Stainless Steel
 - 303 Stainless Steel
 - 6061-T6 Aluminum, Clear Anodize
- **AIR LOADER HOUSING:** 6061-T6 Aluminum
- **PISTON:** 316 Stainless Steel
- **MAIN VALVE SEAT:** Teflon®
- **O-RINGS:** Buna-n
- **OTHER WETTED COMPONENTS:**
 - 316 Stainless Steel
 - 17-4 Stainless Steel

PORTING

- **STANDARD INLET:**
 - 1" NPT
- **STANDARD OUTLET:**
 - 1" NPT
- **AIR ACTUATOR:**
 - 1/4" FNPT

OPTIONS

- Private labeling



(Part number: 30-10230 shown above)



**HIGH FLOW, C_v 5.0
LOW PRESSURE
AIR LOADED
Back Pressure Regulators**



PART NUMBER	-	1
30-10230	-	

1	BODY MATERIAL OPTIONS
1	303 Stainless Steel
2	316 Stainless Steel
3	6061-T6 Aluminum
<i>Contact facility for other material options.</i>	