



HIGH PRESSURE HYDRAULIC 15000 PSIG *Back Pressure Regulators*



PREMIER INDUSTRIES

1590 99th Ln NE,
Minneapolis, MN 55449
763-786-4020



MADE IN THE USA
Minneapolis, MN

DESCRIPTION

High pressure, hydraulic, Premier 6123 Series back pressure regulators are single stage, piston sensed, variable control pressure regulators, rated for inlet pressures up to 15000 PSIG (1034.21 bar) with a control pressure range of 300-15000 PSIG (20.68 - 1034.21 bar). For optimum compatibility with your desired application, we offer a choice of four seat materials: hardened 17-4 stainless steel, Vespel®, 316 stainless steel and PEEK®.

Premier 6123 Series regulators are used to regulate a broad range of non-corrosive and corrosive media (based on materials of construction) and can be used for both hydraulic and gas applications.

FEATURES

- Rated for pressures up to 15000 PSIG (1034.21 bar)
- Flow capacity (Cv): 0.06 0.14, or 0.20
- Low torque ball bearing hand knob
- Durable hardened stainless steel seat option
- Very competitive pricing
- Machined bar stock body, bonnet and piston eliminates porosity found in castings
- Numerous optional features are available.



HIGH PRESSURE HYDRAULIC 15000 PSIG *Back Pressure Regulators*



SPECIFICATIONS

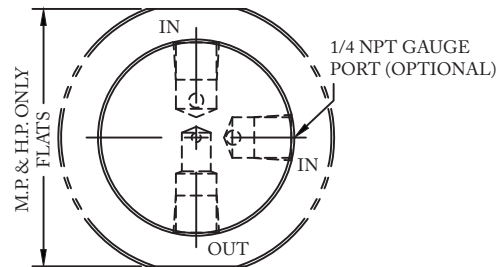
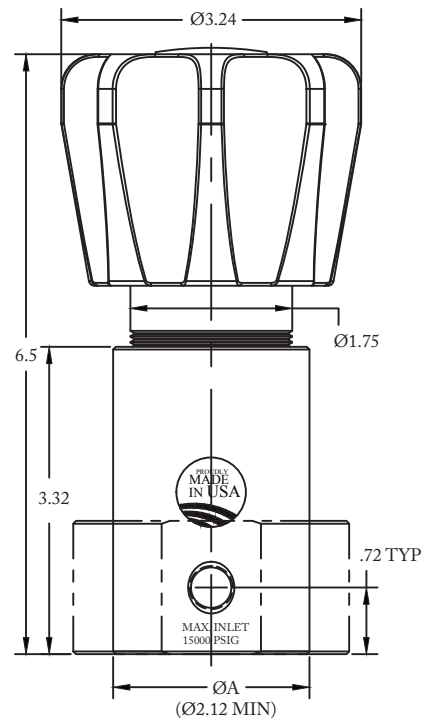
- **MAXIMUM INLET PRESSURE:** 15000 PSIG (1034.21 bar)
- **CONTROL PRESSURE RANGE:**
 - 300-15000 PSIG (20.68 - 1034.21 bar)
- **FLOW (Cv):** 0.06, 0.14, or 0.20
- **OPERATING TEMPERATURE:**
 - -15°F/-26°C to 165°F/74°C (BUNA-N)
 - -4°F/-20°C to 165°F/74°C (VITON-A®)
 - -65°F/-54°C to 165°F/74°C (EPDM)
 - 15°F/-9°C to 165°F/74°C (AFLAS)
 - -65°F/-54°C to 165°F/74°C (NITRILE)

OPTIONAL ITEMS

- Inlet gauge
- Private label
- Panel mounting bracket: P/N: 30-10059 (Ø2.15 panel hole)

MATERIALS OF CONSTRUCTION

- **BODY :**
 - 316 Stainless Steel,
- **BONNET:**
 - 17-4 Stainless Steel
- **WETTED PARTS, OTHER:**
 - 316 Stainless Steel
 - 17-4 Stainless Steel
 - PH15-7Mo Stainless Steel
- **O-RINGS:**
 - BUNA-N
 - AFLAS®
 - Viton-A®
 - EPDM
 - KALREZ® (Contact factory for pricing)
 - Nitrile, Lo-temp
- **BACK-UP RINGS:** PTFE or PCTFE
- **VALVE SEAT:**
 - Vespel®
 - PEEK®
 - 17-4 Stainless Steel, Hardened
 - 316 Stainless Steel



Part number shown above: 30-10223

PORTING

- **INLET/OUTLET PORTING OPTIONS:**
 - 1/4", 3/8" FNPT
 - 1/4", 3/8", 9/16" Medium pressure
 - 1/4", 3/8" High pressure

BODY DIMENSIONS		
PORT TYPE	ØA	FLATS
1/4 & 3/8 NPT	Ø2.12	—
1/4" M.P. & H.P.	Ø2.12	1.98
3/8" M.P.	Ø2.48	2.36
3/8" H.P.	Ø2.98	2.78
9/16" M.P.	Ø2.98	2.78

Vespel® Kalrez® & Viton® are registered trademarks of E.I. duPont de Nemours and Company

AFLAS® is a registered trademark of the Asahi Glass Co., Ltd.

PEEK® is a registered trademark of Victrex PLC



**HIGH PRESSURE
HYDRAULIC
15000 PSIG**
Back Pressure Regulators



SERIES	-	1	2	3	4	5	-	6 7	-	8
30-10223	-						-		-	

1	OUTLET PRESSURE
8	300-15000 PSIG 20.68-1034.21 Bar
2	PORTING CONFIGURATION
H	
S	
3	PORT SIZE
4	1/4"
6	3/8"
9	9/16" <i>(Only available in medium pressure)</i>

4	PORT TYPE <i>(1/4" FNPT gauge port)</i>
1	FNPT
4	Medium Pressure
5	High Pressure
5	VALVE SEAT
0	Vespel®
1	17-4 H900 Stainless Steel
2	316 Stainless Steel
3	PEEK®

6 7	O-RINGS
00	BUNA-N
01	AFLAS®
02	VITON®
05	EPDM
11	KALREZ® <i>(Contact factory for pricing)</i>
12	Nitrile, Low-temp
8	Cv (FLOW)
0	0.06
1	0.14
2	0.20

15000 PSIG MAX INLET

The end user is responsible to ensure adequate fittings are used to connect regulator to plumbing.

*Kalrez® Vespel® & Viton® are registered trademarks of E.I. du Pont de Nemours and Company
AFLAS® is a registered trademark of the Asahi Glass Co., Ltd. PEEK® is a registered trademark of Victrex PLC*

Contact factory for material certifications. Fees may apply.