



DOME LOADED BIAS SPRING DIAPHRAGM SENSED *Back Pressure Regulators*



PREMIER INDUSTRIES

1590 99th Ln NE,
Minneapolis, MN 55449
763-786-4020



MADE IN THE USA
Minneapolis, MN

DESCRIPTION

Premier 2100DLB Series dome loaded/bias spring, single stage, diaphragm sensed, back pressure regulators, are designed for load pressures up to 500 PSIG (34.47 bar) with a bias spring up to 100 psig (6.89 bar) and Cv 0.14 or 0.20. 2100DLB Series regulators are elastomer free and designed for use in tracking applications.

FEATURES

- Compatible with electro pneumatic controllers
- Elastomer free
- Designed for tracking applications
- Cv 0.14 or 0.20



**DOME LOADED
BIAS SPRING
DIAPHRAGM SENSED**
Back Pressure Regulators



SPECIFICATIONS

- **MAXIMUM LOAD PRESSURE:** 500 PSIG (34.47 bar)
- **PRESET SPRING BIAS:** up to 100 PSIG (6.89 bar)
- **FLOW (Cv):** 0.14, or 0.20

MATERIALS OF CONSTRUCTION

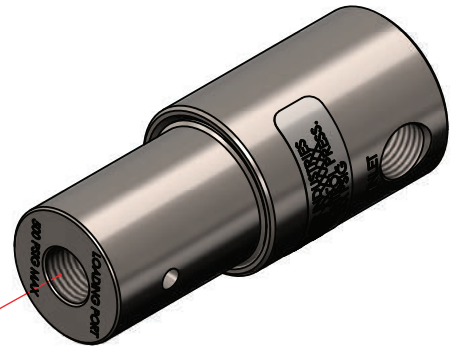
- **BODY:**
 - 316 Stainless Steel
- **DIAPHRAGM:**
 - Eligloy®
- **VALVE SEAT:**
 - PCTFE
- **SEALS:**
 - PTFE
- **OTHER WETTED MATERIALS:**
 - 316 Stainless Steel
 - 303 Stainless Steel

PORTING

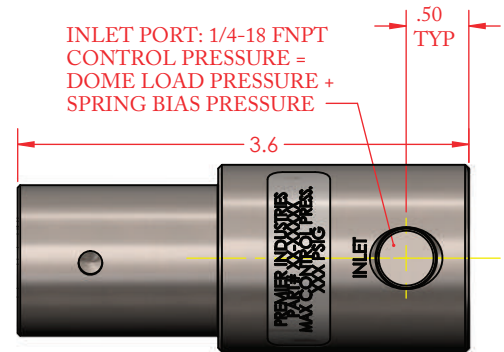
- **INLET:**
 - 1/4" FNPT
- **OUTLET:**
 - 1/4" FNPT
- **LOAD PORT:**
 - 1/4" FNPT

OPTIONS

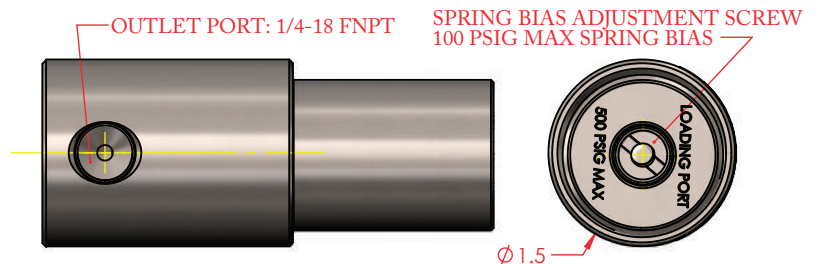
- Private label
- Gauges



DOME LOADING PORT:
1/4-18 FNPT, 500 PSIG MAX



INLET PORT: 1/4-18 FNPT
CONTROL PRESSURE =
DOME LOAD PRESSURE +
SPRING BIAS PRESSURE



OUTLET PORT: 1/4-18 FNPT

SPRING BIAS ADJUSTMENT SCREW
100 PSIG MAX SPRING BIAS

Ø 1.5

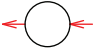
(Part number 50-12474 shown above)



**DOME LOADED
BIAS SPRING
DIAPHRAGM SENSED**
Back Pressure Regulators



PART #	-	1	2	3	-	XXX
50-12474	-				-	

1	WETTED MATERIALS
1	316 Stainless Steel
2	303 Stainless Steel
2	PORTING OPTIONS
1	'S' Porting, no gauges 
3	MAIN VALVE Cv
1	Cv 0.14
2	Cv 0.20

XXX	PRESET SPRING BIAS
<p>Specify 0-100. Pressure units are psig. (EX: specify '30' for 30 psig spring bias pressure.) Preset spring bias pressure is field adjustable by qualified technicians only.</p>	