

FIXED FLOW REGULATORS | 2700 VS 2701

Single stage, piston sensed, fixed flow, pressure reducing regulators



*Pictured from left to right:
Premier 2700 Series, Premier
2701 Series. Both designs
feature a rotary shut off, gauge,
and C10 inlet connection.*

PREMIER 2700 SERIES REGULATORS

1. Our original, most versatile design.
2. Field tested for well over 15 years.
3. Flows are set using a unique integrated flow adjustment valve prior to shipment.
4. The 2700 rotary shut off valve features a metal to metal seal. *Easy knob turn, snug shut-off.*
5. Wide variety of shut-off options.

PREMIER 2701 SERIES REGULATORS

1. Our smallest, most compact design.
2. Our most economical fixed flow regulator.
3. Matched performance to the original 2700 Series design, same supply pressure effect, materials of construction, and maximum pressure ratings.
4. Same proven technology used in the 2700 Series.
5. The 2701 rotary shut off valve is designed with a Teflon® seat for easy shut-off.
6. Flows are set using a unique integrated flow adjustment valve prior to shipment.
7. Wide variety of shut-off options.
8. Some of the shut off configurations are slightly different from the 2700 Series design. *On the C10 and 1/4" npt inlet designs, the rotary shut-off must be 180° from the gauge (it can be at 90° from the gauge on the CGA 600 design).*

FIXED FLOW REGULATORS | 2700 VS 2701

Single stage, piston sensed, fixed flow, pressure reducing regulators

PREMIER 2700 SERIES

FLOW: 0.1-9.0 SLPM
(Preset using integrated flow adjustment valve)

STANDARD PRESET CONTROL PRESSURE:

- 40-60 PSIG (2.76 - 4.14 bar)

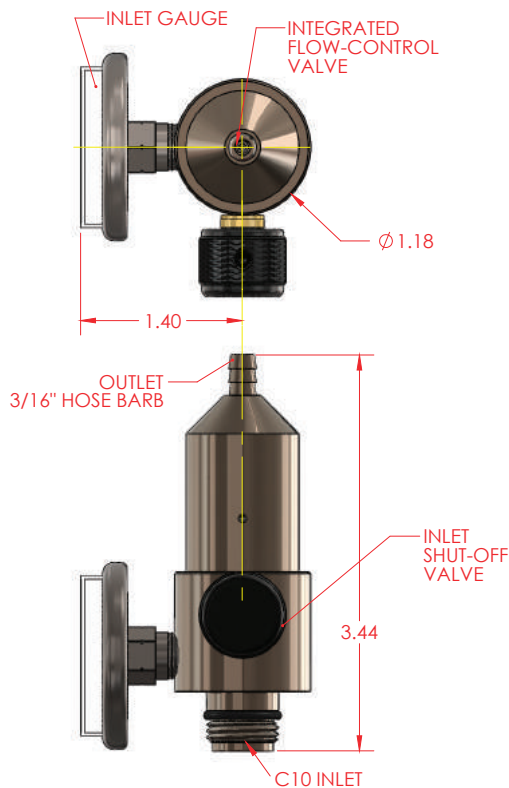
MAXIMUM INLET PRESSURE:

- 3000 PSIG (206.84 bar), 1/4" FNPT inlet
- 1500 PSIG (103.42 bar), C10 (5/8-18 UNF) inlet
- 500 PSIG (34.47 bar), CGA 600 inlet

WEIGHT: 0.70 lb. / 0.32 kg (SAE 360 Brass)

SHUT OFF VALVE OPTIONS:

- None
- Rotary, metal to metal seat
- Push button
- Solenoid
- Slide valve
- Trigger
- Bayonet/Toggle



Part number 50-10454 shown above

PREMIER 2701 SERIES

FLOW: 0.1-4.0 SLPM
(Preset using integrated flow adjustment valve)

STANDARD PRESET CONTROL PRESSURE:

- 40-80 PSIG (2.76 - 5.52 bar)

MAXIMUM INLET PRESSURE:

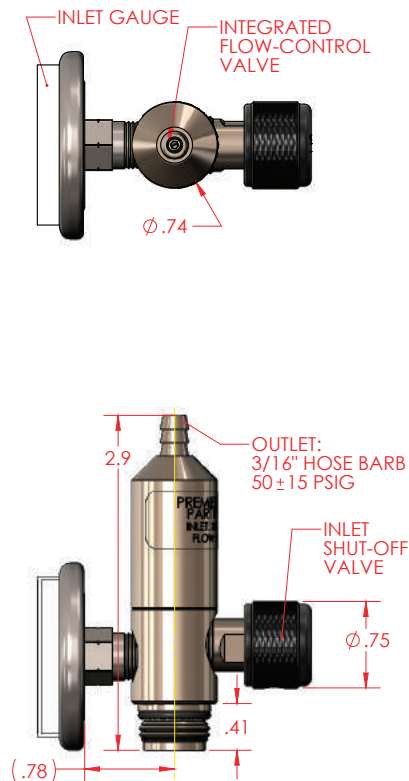
- 3000 PSIG (206.84 bar), 1/4" FNPT inlet
- 1500 PSIG (103.42 bar), C10 (5/8-18 UNF) inlet
- 500 PSIG (34.47 bar), CGA 600 inlet

WEIGHT: 0.35 lb. / 0.16 kg (SAE 360 Brass)

SHUT OFF VALVE OPTIONS:

- None
- Rotary, soft seat**
- Push button
- Solenoid
- Slide valve
- Trigger

***note, a larger rotary hand knob will be used on 3000 psig designs*



Part number 50-12640-21XX shown above

FIXED FLOW REGULATORS | 2700 VS 2701

Single stage, piston sensed, fixed flow, pressure reducing regulators

PREMIER 2700 SERIES

PROCESS WETTED MATERIALS:

- SAE 360 Brass
- SAE 360 Brass, Electroless Nickel Plated
- 303 Stainless Steel
- 316 Stainless Steel
- 6061-T6 Aluminum, Clear Anodized

PISTON SEALS:

- Viton®
- All elastomers available

VALVE SEAT: PTFE

INLET PORTING:

- C10 (5/8-18 UNF)
- 1/8", 1/4" FNPT
- 1/8", 1/4" MNPT
- Compatible CGA connections available upon request:
– CGA 165, 180, 320, 510, 580, 600, etc.

OUTLET PORTING:

- 3/16" Hose Barb
- 1/4" hose barb
- 1/8", 1/4" FNPT
- 1/8", 1/4" MNPT

Viton® is a registered trademark of E.I.duPont de Nemours and Company

PREMIER 2701 SERIES

PROCESS WETTED MATERIALS:

- SAE 360 Brass
- SAE 360 Brass, Electroless Nickel Plated
- 303 Stainless Steel
- 316 Stainless Steel
- 6061-T6 Aluminum, Clear Anodized

PISTON SEALS:

- Viton®
- All elastomers available

VALVE SEAT: PTFE

INLET PORTING:

- C10 (5/8-18 UNF)
- 1/8", 1/4" FNPT
- 1/8", 1/4" MNPT
- Compatible CGA connections available upon request:
– CGA 165, 180, 320, 510, 580, 600, etc.

OUTLET PORTING:

- 3/16" Hose Barb
- 1/4" hose barb
- 1/8", 1/4" FNPT
- 1/8", 1/4" MNPT