



HIGH FLOW DIAPHRAGM SENSED *Pressure Reducing Regulators*

2800N SERIES

PREMIER INDUSTRIES

1590 99th Ln NE,
Minneapolis, MN 55449
763-786-4020



MADE IN THE USA

Minneapolis, MN

DESCRIPTION

Premier 2800N Series regulators are high flow, single stage, pressure reducing regulators with a balanced stem for increased outlet pressure stability. These diaphragm sensed, high flow regulators are designed for inlet pressures up to 3000 PSIG (206.84 bar), and Cv 1.0 or 2.0. Premier 2800N Series regulators are used to regulate to a broad range of non corrosive and corrosive media (based on materials of construction).

FEATURES

- Significantly reduced supply pressure effect / increased stability in outlet pressure
- Flow capacity (Cv): 1.0, 2.0
- Neoprene diaphragm (*fabric reinforced*)
- Non-venting
- Machined bar stock body eliminates porosity found in castings
- Very competitive pricing

2800N SERIES

HIGH FLOW DIAPHRAGM SENSED Pressure Reducing Regulators

SPECIFICATIONS

- **MAXIMUM INLET PRESSURE:** 3000 PSIG (206.84 bar)
- **CONTROL PRESSURE RANGES:**
 - 0-10 PSIG (0 - 0.69 bar)
 - 0-15 PSIG (0 - 1.03 bar)
 - 0-40 PSIG (0 - 2.76 bar)
 - 0-100 PSIG (0 - 6.89 bar)
 - 0-150 PSIG (0 - 10.34 bar)
- **FLOW (Cv):** 1.0, 2.0

MATERIALS OF CONSTRUCTION

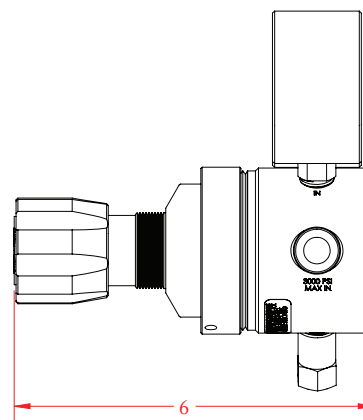
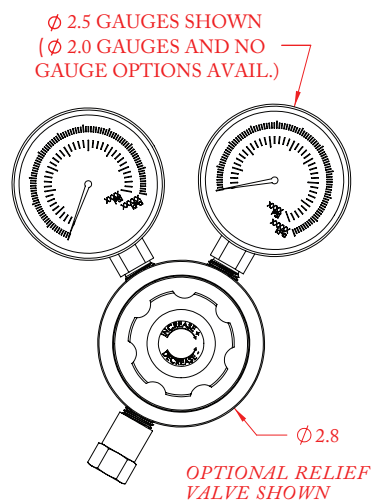
- **BODY:**
 - SAE 360 Brass/Bright Dip
 - SAE 360 Brass/Nickel Plated
 - 6061-T6 Aluminum/Nickel Plated
 - 303 Stainless Steel
- **BONNET:**
 - 6061-T6 Aluminum/Nickel Plated
- **DIAPHRAGM:**
 - Neoprene (*fabric reinforced*)
- **MAIN VALVE SEAT:**
 - PCTFE
- **RELIEF VALVE (OPTIONAL):**
 - Brass with silicone seal

PORTING

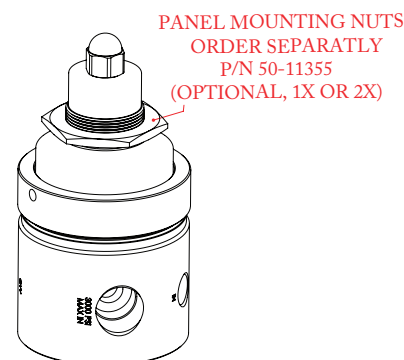
- **INLET:**
 - 1/2-14 FNPT
 - 1/4-18 FNPT
- **OUTLET: (1 or 2 outlets)**
 - 1/2-14 FNPT
 - 1/4-18 FNPT

OPTIONS

- Gauges
- Relief Valve
- Private Label
- Panel Mounting Nut(s) (1 or 2)
 (P/N: 50-11355, order separately)



(Part number 50-12056 shown above)



(Part number 50-12056-3X-X2-XX-02 shown above)



HIGH FLOW DIAPHRAGM SENSED *Pressure Reducing Regulators*



PART #	-	1	2	-	3	4	-	5	6	-	7	8
50-12056	-			-			-			-		

1	BODY MATERIAL & FINISH
1	SAE 360 Brass, <i>Bright Dip</i>
2	SAE 360 Brass, <i>Nickel Plated</i>
3	6061-T6 Aluminum, <i>Nickel Plated</i>
4	303 Stainless Steel, <i>cleaned per spec #515</i>
2	DIAPHRAGM / SEALS
1	Neoprene
3	MAIN VALVE SEAT
1	PCTFE
4	RELIEF VALVE / PORTING
1	<p>Relief valve included, 1/4 FNPT ports (red) 1/2 FNPT ports (blue) "T" porting</p>
2	<p>No relief valve, 1/4 FNPT ports (red) 1/2 FNPT ports (blue) "C" porting</p>
3	<p>No relief valve, 3/4 FNPT ports "S" porting</p>

5	OUTLET PRESSURE
1	0-10 PSIG / 0-0.69 bar
2	0-15 PSIG / 0-1.03 bar
3	0-40 PSIG / 0-2.76 bar
4	0-100 PSIG / 0-6.89 bar
5	0-150 PSIG / 0-10.34 bar
6	MAIN VALVE Cv
1	Cv 1.0
2	Cv 2.0
7	GAUGES
0	None
1	Ø 2.0"
2	Ø 2.5"

8	HAND KNOB / ACORN NUT (PRESET)
1	Hand knob
2	Preset outlet ** (tamper resistant acorn nut)

**TAMPER RESISTANT ACORN NUT

THE END USER IS RESPONSIBLE TO SPECIFY A PRESET OUTLET PRESSURE. IF AN OUTLET PRESSURE IS NOT SPECIFIED, THE PRESSURE WILL BE LEFT UNSET. NEVER EXCEED THE MAXIMUM OUTLET PRESSURE SPECIFIED ON THE PART NUMBER.

Contact factory for material certifications. Fees may apply.