



HIGH FLOW DIAPHRAGM SENSED *Pressure Reducing Regulators*

2800S SERIES

PREMIER INDUSTRIES

1590 99th Ln NE,
Minneapolis, MN 55449
763-786-4020



MADE IN THE USA

Minneapolis, MN

DESCRIPTION

Premier 2800S Series single stage, high flow, diaphragm sensed, variable delivery pressure regulators, are designed for inlet pressures up to 3000 PSIG (206.84 bar), and Cv 1.0 or 2.0. Premier 2800S Series regulators feature a stainless steel diaphragm to minimize off-gassing, and a balanced stem for increased outlet pressure stability. Available for use with a broad range of non-corrosive and corrosive media (based on materials of construction).

FEATURES

- Stainless steel diaphragm minimizes off-gassing
- Balanced stem for increased outlet pressure stability
- Flow capacity (Cv): 1.0, or 2.0
- Optional relief valve
- Optional panel mounting nut
- Non-venting
- Very competitive pricing
- Machined bar stock body eliminates porosity found in castings

*The Premier 2800S Series pressure reducing regulator's design is remarkably flexible.
Contact Premier Industries for a custom 2800S Series regulator to meet your exact needs.*

2800S SERIES

HIGH FLOW DIAPHRAGM SENSED Pressure Reducing Regulators

SPECIFICATIONS

- **MAXIMUM INLET PRESSURE:** 3000 PSIG (206.84 bar)
- **CONTROL PRESSURE RANGES:**
 - 0-10 PSIG (0 - 0.69 bar)
 - 0-25 PSIG (0 - 1.72 bar)
 - 0-50 PSIG (0 - 3.45 bar)
 - 0-100 PSIG (0 - 6.89 bar)
 - 0-150 PSIG (0 - 10.34 bar)
- **FLOW (Cv):** 1.0 or 2.0

MATERIALS OF CONSTRUCTION

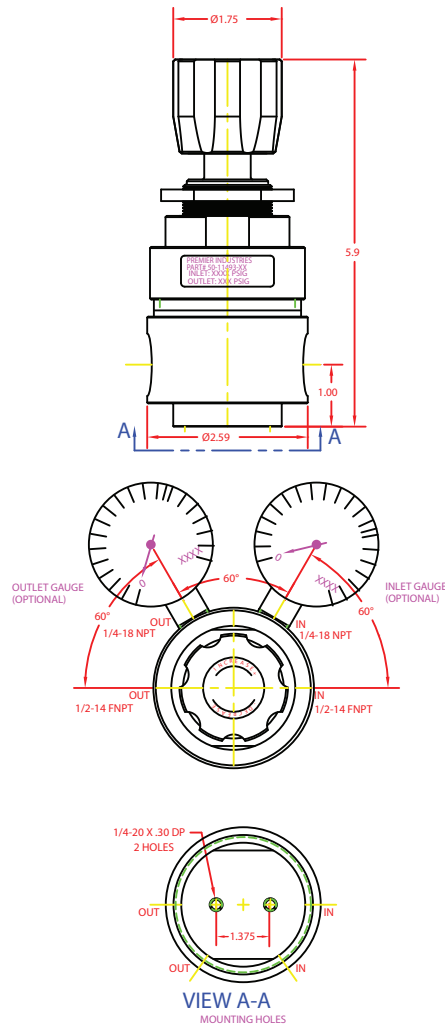
- **BODY:**
 - 316 Stainless Steel
 - SAE 360 Brass/Bright Dip
 - SAE 360 Brass/Nickel Plated
 - 6061-T6 Aluminum/Clear Anodized
- **BONNET:**
 - SAE 360 Brass/Nickel Plated
 - 6061-T6 Aluminum/Nickel Plated
 - 6061-T6 Aluminum/Clear Anodized
- **DIAPHRAGM:**
 - 316 Stainless Steel
- **MAIN VALVE SEAT:**
 - Vespel®
 - PCTFE
- **VALVE SHAFT SEAL:** Viton-A®
- **DIAPHRAGM SEAL:** PTFE

PORTING

- **STANDARD INLET:**
 - 1/2-14 FNPT
- **STANDARD OUTLET:**
 - 1/2-14 FNPT
- **OPTIONAL INLETS:**
 - 1/4 FNPT
 - 3/8 FNPT
- **OPTIONAL OUTLETS:**
 - 1/4 FNPT
 - 3/8 FNPT

OPTIONS

- Gauges
- Relief Valve
- Private Label
- Panel Mounting Nut



(Part number: 50-11493 shown with standard porting)



HIGH FLOW DIAPHRAGM SENSED Pressure Reducing Regulators



PART #	-	1	2	3	4	5	6
50-11493	-						

1	BODY MATERIALS & FINISH
2	316 Stainless Steel, Cleaned per spec #515
3	6061-T6 Aluminum, Clear Anodized
5	SAE 360 Brass, Nickel Plated
8	SAE 360 Brass, Bright Dip
2	OUTLET PRESSURE (Outlet gauge range if supplied)
0	0-10 psig / 0-0.69 bar (per application)
1	0-25 psig / 0-1.72 bar (0-60 psig gauge)
2	0-50 psig / 0-3.45 bar (0-100 psig gauge)
3	0-100 psig / 0-6.89 bar (0-160 psig gauge)
4	0-150 psig / 0-10.34 bar (0-400 psig gauge)

3	GAUGES (Optional)
Blank	none (standard)
B	2" diameter outlet only, stainless steel wetted gauge
C	2" diameter inlet & outlet, stainless steel wetted gauges
E	2" diameter outlet only, SAE 360 brass wetted gauge
F	2" diameter inlet & outlet, SAE 360 brass wetted gauges
H	2" diameter outlet only, SAE 360 brass wetted/ chrome plated gauge
J	2" diameter inlet & outlet, SAE 360 brass wetted/ chrome plated gauges
4	PANEL MOUNTING NUT (Optional)
5	Mounting nut
8	No nut (standard)

5	PORTING OPTIONS
Blank	Standard porting
R	
S	
T	
6	MAIN VALVE Cv
Blank	Cv 1.0 main valve (standard)
Z	Cv 2.0 main valve