



HIGH FLOW DOME LOADED *Pressure Reducing Regulators*



PREMIER INDUSTRIES

1590 99th Ln NE,
Minneapolis, MN 55449
763-786-4020



MADE IN THE USA
Minneapolis, MN

DESCRIPTION

Premier 5050DL Series dome loaded, single stage, high flow, diaphragm sensed, pressure reducing regulators, designed for inlet pressures up to 1000 PSIG (68.95 bar), and Cv 5.0. The 5050DL features a 1:1 dome load with a max load pressure of 100 PSIG (6.89 bar). Balanced stem design significantly reduces supply pressure effect.

FEATURES

- Flow capacity (Cv): 5.0
- 1000 PSIG (68.95 bar) max inlet pressure
- Balanced stem for increased outlet pressure stability
- Diaphragm sensed
- 1:1 dome load
- Economical pricing
- Compact size
- Non-venting
- Machined bar stock body eliminates porosity found in castings

*The Premier 5050DL Series pressure reducing regulator's design is remarkably flexible.
Contact Premier Industries for a custom 5050DL Series regulator to meet your exact needs.*

D/C: 180205



HIGH FLOW DOME LOADED

Pressure Reducing Regulators



SPECIFICATIONS

- **MAXIMUM INLET PRESSURE:** 1000 PSIG (68.95 bar)
- **OUTLET PRESSURE RANGE:**
 - 0-100 PSIG (0-6.89 bar)
- **MAX DOME LOAD:** 110 PSIG (7.58 bar)
- **LOAD RATIO:** 1:1**
 - ** an additional 3-5 psig dome load is required to maintain a 1:1 outlet pressure to dome load ratio.
- **FLOW (Cv):** 5.0

MATERIALS OF CONSTRUCTION

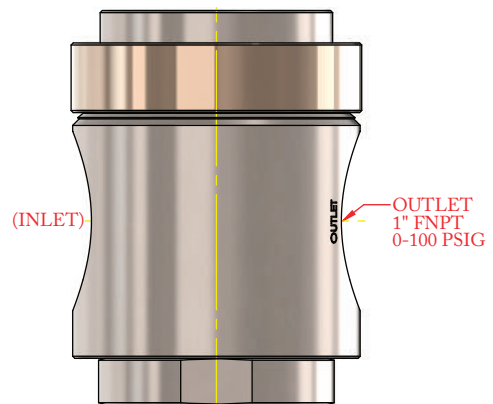
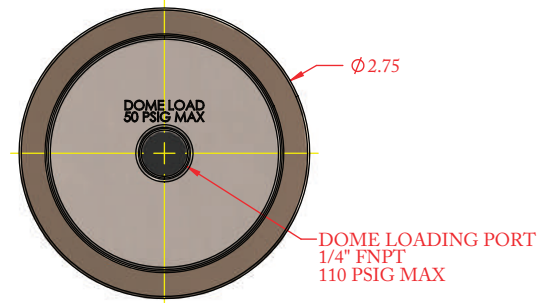
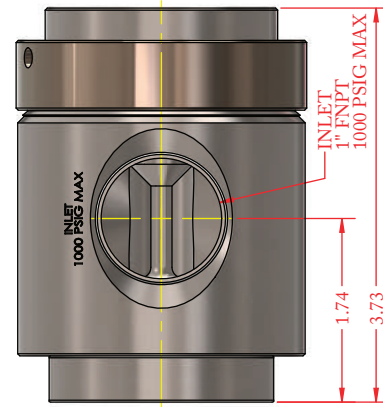
- **BODY, BONNET, BACK CAP:**
 - 316 Stainless Steel
 - 303 Stainless Steel
 - 6061-T6 Aluminum, Clear Anodize
- **DIAPHRAGM:**
 - Buna-N
- **DIAPHRAGM PLATE:**
 - 316 Stainless Steel
- **MAIN VALVE SEAT:**
 - Buna-N
- **MAIN VALVE:**
 - 316 Stainless Steel
- **O-RINGS:**
 - Buna-N

PORTING

- **STANDARD INLET:**
 - 1" FNPT
- **STANDARD OUTLET:**
 - 1" FNPT
- **DOME LOAD PORT:**
 - 1/4" FNPT

OPTIONS

- Private labeling
- Dome loaded bias design
- Spring loaded design
- Air loaded design



(Part number: 50-12456 shown above)



**HIGH FLOW
DOME LOADED**
Pressure Reducing Regulators



PART #	-	1
50-12456	-	

1	BODY MATERIAL & FINISH
1	6061-T6 Aluminum, <i>Clear Anodize</i>
2	303 Stainless Steel, <i>Cleaned per spec #515</i>
3	316 Stainless Steel, <i>Cleaned per spec #515</i>
<i>Contact facility for other material options.</i>	