



## FLANGE MOUNTED HYDRAULIC HIGH PRESSURE *Pressure Reducing Regulators*

# 6000FL SERIES

### PREMIER INDUSTRIES

1590 99th Ln NE,  
Minneapolis, MN 55449  
763-786-4020



**MADE IN THE USA**

*Minneapolis, MN*

### DESCRIPTION

Premier 6000FL Series pressure reducing regulators are flange mounted, high pressure, hydraulic, variable pressure & delivery regulators, rated for inlet pressures up to 3000 psig (206.82 bar) and Cv 0.06. Premier 6000FL Series regulators feature captured venting to safely pipe away potentially toxic or corrosive media. Complete with ANSI B16.5 class 1500 forged flanges with a raised face and welded neck.

### FEATURES

- Raised face, welded neck flange connections
- 1" nominal pipe size
- Captured venting standard
- Cv 0.06
- Max inlet: 3000 psig / 206.82 bar
- ANSI B16.5 class 1500 forged flange
- Black anodized aluminum knob
- Machined bar stock body, bonnet and piston eliminates porosity found in castings



# FLANGE MOUNTED HYDRAULIC HIGH PRESSURE *Pressure Reducing Regulators*



## SPECIFICATIONS

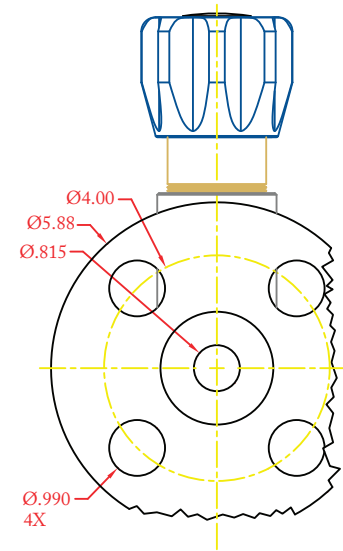
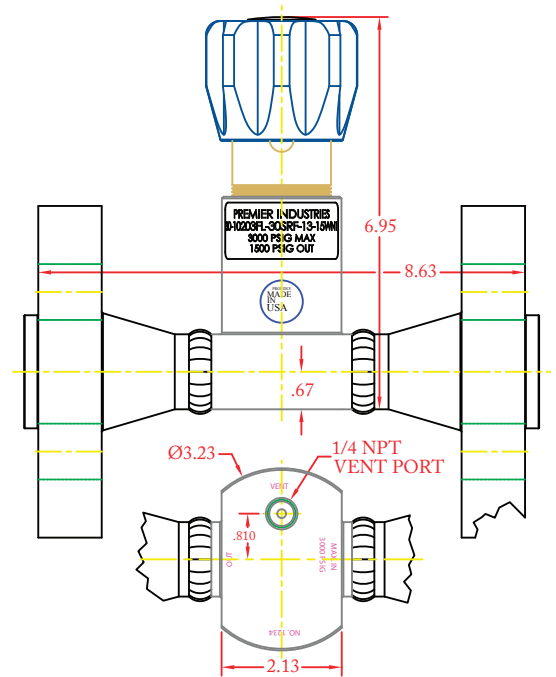
- **MAXIMUM INLET PRESSURE:**
  - 3000 PSIG (206.84 Bar)
- **CONTROL PRESSURE RANGES:**
  - 5-500 PSIG (0.35-34.5 Bar)
  - 5-800 PSIG (0.35-55.2 Bar)
  - 10-1500 PSIG (0.69-103.4 Bar)
  - 15-2500 PSIG (1.0-172.4 Bar)
- **FLOW CAPACITY**
  - MAIN VALVE Cv: 0.06
  - VENT VALVE Cv: 0.06
- **OPERATING TEMPERATURE:\*\***
  - -15°F/-26°C to 165°F/74°C (BUNA-N)
  - -4°F/-20°C to 165°F/74°C (Viton®)
  - -65°F/-54°C to 165°F/74°C (EPDM)
  - 0°F/-17°C to 165°F/74°C (KALREZ®)
  - 15°F/-9°C to 165°F/74°C (ALFAS)
  - -50°F/-45°C to 165°F/74°C (Nitrile, Low-temp)
  - -61°F/-52°C to 165°F/74°C (Nitrile, Low-temp, butadiene)

## MATERIALS OF CONSTRUCTION

- **BODY & BONNET OPTIONS:**
  - 316 Stainless Steel
  - 17-4 Stainless Steel
- **VALVE SEAT:** 17-4 Stainless Steel, hardened
- **VENT VALVE SEAT:** 316 Stainless Steel
- **WETTED PARTS:** 316 Stainless Steel and 17-4 Stainless Steel
- **O-RING MATERIAL:**
  - Viton®
  - Buna-N
  - EPDM
  - AFLAS
  - Nitrile (Low-Temp)
  - Kalrez® (*Contact factory for pricing*)
  - Nitrile (Low-Temp) - Butadiene
- **BACK-UP RINGS:** PTFE

## PORTING

- **INLET PORT:**
  - ANSI B16.5 Class 1500 forged flange, 1" nominal pipe size, welded neck and raised face
- **OUTLET PORT:**
  - ANSI B16.5 Class 1500 forged flange, 1" nominal pipe size, welded neck and raised face
- **VENT PORT:**
  - 1/4" FNPT



(Part Number: 30-10203FL)

## OPTIONAL ITEMS

- Private label


*\*\*For extended temperature ranges please contact Premier Industries. Above temperature ranges will apply to the majority of media for which the material is recommended. Temperature ranges can vary with some media, ALWAYS TEST UNDER SERVICE CONDITIONS.*



**FLANGE MOUNTED  
HYDRAULIC  
HIGH PRESSURE**  
*Pressure Reducing Regulators*



PART #	1	2	-	3	4	5	6	7	-	8	9	-	10	11	12	13	14
30-10203			-						-			-					

<b>1 2</b>	<b>MOUNTING STYLE</b>
<b>FL</b>	Flange mount style body
<b>3</b>	<b>OUTLET PRESSURE</b>
<b>1</b>	5-500 PSIG (0.34-34.5 Bar)
<b>2</b>	5-800 PSIG (0.34-55.2 Bar)
<b>3</b>	10-1500 PSIG (0.69-103.4 Bar)
<b>4</b>	15-2500 PSIG (1.0-172.4 Bar)
<b>4</b>	<b>MAIN VALVE Cv</b>
<b>0</b>	Cv 0.06
<i>Vent Valve Cv: 0.06</i>	
<b>5</b>	<b>PORTING CONFIGURATION</b>
<b>S</b>	
<b>6 7</b>	<b>FLANGE FACE STYLE</b>
<b>RF</b>	Raised face

<b>8 9</b>	<b>O-RING MATERIALS</b>
<b>00</b>	BUNA-N
<b>01</b>	AFLAS®
<b>02</b>	VITON®
<b>05</b>	EPDM
<b>11</b>	KALREZ® <i>(Contact factory for pricing)</i>
<b>12</b>	NITRILE, LO-TEMP
<b>13</b>	NITRILE, LO-TEMP, BUTADIENE
<b>10 11</b>	<b>ANSI FLANGE CLASS</b>
<b>15</b>	ANSI class 1500 forged flange
<b>12 13</b>	<b>FLANGE NECK STYLE</b>
<b>WN</b>	Welded neck
<b>14</b>	<b>NOMINAL PIPE SIZE</b>
<b>1</b>	1" nominal pipe size