



HIGH PRESSURE SHUT OFF WITH BLEED/VENT VALVE



PREMIER INDUSTRIES

1590 99th Ln NE,
Minneapolis, MN 55449
763-786-4020



MADE IN THE USA

Minneapolis, MN

DESCRIPTION

Premier 70AB Series shut off valves are stainless steel, high pressure shut off valves rated for pressures up to 10000 PSIG. 70AB Series valves feature a metal stop that prevents stem over-travel; the metal stop also functions as a secondary metal-to-metal seat should the soft seat fail. The bleed/vent valve enables users to bleed pressures downstream down to zero.

Premier 70AB valves may be used in a wide variety of applications consistent with valve materials compatibility with media. Commonly used in purge applications.

FEATURES

- Rated up to 10000 PSIG
- A variety of port sizes and configurations
- Low torque at high pressures
- Metal stop prevents stem-over-travel
- Can be used to bleed downstream pressure to 0

70AB SERIES

HIGH PRESSURE SHUT OFF WITH BLEED/VENT VALVE

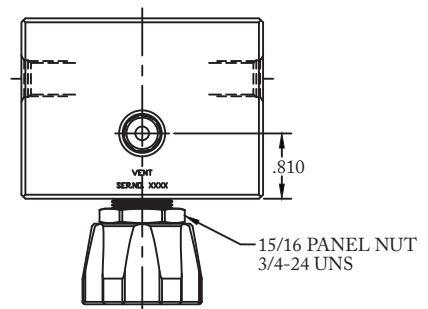
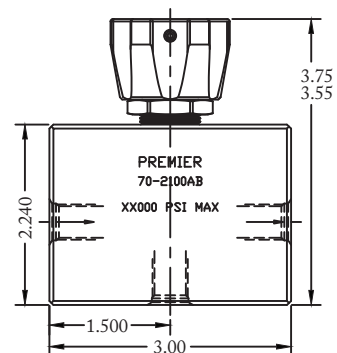
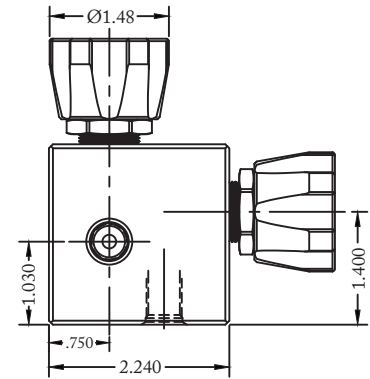


SPECIFICATIONS

- **MAXIMUM OPERATING PRESSURE :**
 - PTFE seat, SAE 360 Brass body: 3500 PSIG / 241 BAR
 - PTFE seat, 316 Stainless Steel body: 3500 PSIG / 241 BAR
 - PCTFE seat, SAE 360 Brass body: 6000 PSIG / 414 BAR
 - PCTFE seat, 316 Stainless Steel body: 6000 PSIG / 414 BAR
 - PEEK® seat, SAE 360 Brass body: 6000 PSIG / 414 BAR
 - PEEK® seat, 316 Stainless Steel body: 10000 PSIG / 690 BAR
 - Vespel SP-1® seat, SAE 360 Brass body: 6000 PSIG / 414 BAR
 - Vespel SP-1® seat, 316 Stainless Steel body: 10000 PSIG / 690 BAR
- **LEAK RATE:** Bubble Tight

MATERIALS OF CONSTRUCTION

- **BODY:**
 - 316 Stainless Steel
 - SAE 360 Brass
- **VALVE SEAT:**
 - PTFE
 - PCTFE
 - PEEK®
 - Vespel SP-1®
- **VALVE STEM:**
 - 17-4 Stainless Steel (Hardened)
- **O-RING:**
 - BUNA-N
 - AFLAS®
 - Viton-A®
 - EPDM
 - Kalrez®
 - Nitrile, lo-temp
- **BACK-UP RING:**
 - PTFE
 - PCTFE
- **WETTED PARTS:**
 - 316 Stainless Steel
 - 17-4 Stainless Steel
 - Nitronic® 60 Stainless Steel
 - PEEK®



(Part number shown above: 70-2100AB)

PORTING

- **INLET/OUTLET PORTING**
 - 1/4" NPT, SAE J1926, MS 33649, NPTF
 - 1/2" NPT, SAE J1926, MS 33649, NPTF



HIGH PRESSURE SHUT OFF WITH BLEED/VENT VALVE



PART #	-	1	2	3	4	-	5	6
70-2100AB	-					-		

1	MATERIALS OF CONSTRUCTION
B	SAE 360 Brass Body
S	316 Stainless Steel Body
2	PORT SIZE
4	1/4"
8	1/2"
3	PORT TYPE
1	NPT
2	SAE J1926
3	SAE AS5202 / MS33649
6	NPTF

4	SEAT MATERIAL
T	PTFE
C	PCTFE
P	PEEK®
V	VESPEL SP-1®
5 6	O-RING MATERIAL
00	BUNA-N
01	AFLAS®
02	VITON-A®
05	EPDM
11	KALREZ®
12	NITRILE, LO-TEMP

AFLAS® is a registered trademark of the Asahi Glass Co., Ltd.

PEEK® is a registered trademark of Victrex PLC

Kalrez®, Vespel® & Viton® are registered trademarks of E.I. duPont de Nemours and Company.