



## MINIATURE PNEUMATIC HIGH PRESSURE *Pressure Reducing Regulators*

# 3500 SERIES

### PREMIER INDUSTRIES

1590 99th Ln NE,  
Minneapolis, MN 55449  
763-786-4020



**MADE IN THE USA**

*Minneapolis, MN*

### DESCRIPTION

Premier 3500 Series pressure reducing regulators are your affordable and compact solution for high pressure pneumatic applications. These rugged, piston sensed regulators are rated for 6000 PSIG (413.69 bar) with a wide range of field adjustable delivery pressure ranges, up to 6000 PSIG (413.69 bar) and Cv: 0.06 or 0.2. With a variety of construction material options, porting configurations, hand-knob styles, and mounting options, you can be confident the Premier 3500 Series pressure reducing regulator will integrate seamlessly into your pneumatic application.

### FEATURES

- Piston sensed
- Main valve cartridge with 15 micron, 316 stainless steel filter
- 3 knob styles, basic, fluted, and tee handle
- Machined bar stock body and piston eliminates porosity found in castings
- Rear mounting holes and threaded bonnet standard, optional panel mounting nuts available
- Two, three, or four 1/4" NPTF ports standard
- Non-venting
- Field adjustable outlet pressure ranges
- Minimal soft goods
- Compact & economically priced
- Optional tamper proof acorn nut.

*The Premier 3500 Series pressure reducing regulator's design is remarkably flexible.  
Contact Premier Industries for a custom 3500 Series regulator to meet your exact needs.*

D/C: 173008

# 3500 SERIES

## MINIATURE PNEUMATIC HIGH PRESSURE Pressure Reducing Regulators

### SPECIFICATIONS

- **MAXIMUM INLET PRESSURE:** 6000 PSIG (413.65
- **CONTROL PRESSURE RANGES:**
  - 0-25 PSIG (0 - 1.72 bar)
  - 0-80 PSIG (0 - 5.52 bar)
  - 0-140 PSIG (0 - 9.65 bar)
  - 0-220 PSIG (0 - 15.17 bar)
  - 5-700 PSIG (0.34 - 48.26 bar)
  - 5-1200 PSIG (0.34 - 82.73 bar)
  - 5-1800 PSIG (0.34 - 124.12 bar)
  - 5-2500 PSIG (0.34 - 172.37 bar)
  - 10-6000 PSIG (0.69 - 413.69 bar)
- **Cv:** 0.06 or 0.2
- **DESIGN PROOF PRESSURE:** 150% maximum rated

### MATERIALS OF CONSTRUCTION

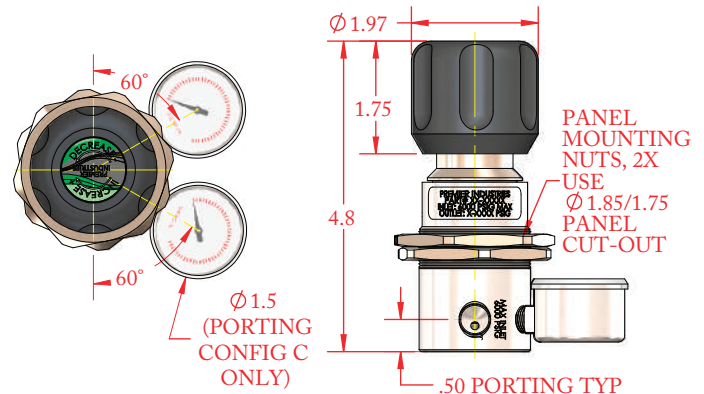
- **BODY:**
  - 6061-T6 Aluminum, Nickel Plated (*standard*)
  - 303 Stainless Steel
  - 316 Stainless Steel
  - SAE 360 Brass/Nickel Plated
  - Monel®
- **VALVE STEM:** 17-4 Stainless Steel
- **WETTED PARTS:**
  - 316 Stainless Steel (*with 316 stainless steel body option*)
  - 300 Series Stainless Steel / 17-4 Stainless Steel (*with all other body options*)
- **SEALS:**
  - Low-temperature nitrile (*standard*)
  - Nitrile
  - Viton®
  - EPDM
  - Neoprene
- **VALVE SEAT:**
  - PEEK® (*standard*)
  - PCTFE
  - Vespel®
- **MAIN VALVE FILTER:**
  - 15 micron sintered 316 stainless steel

### PORTING

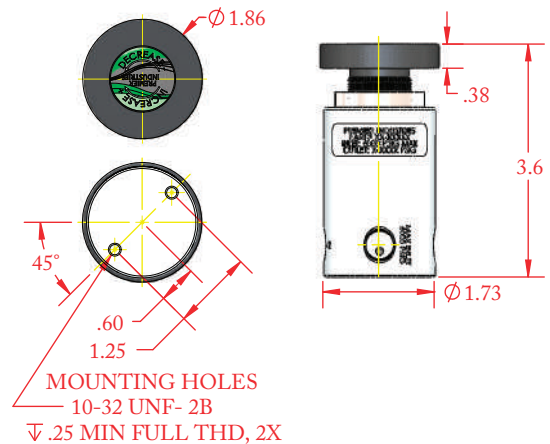
- **STANDARD INLETS:** 1/4" FNPT
- **STANDARD OUTLETS:** 1/4" FNPT
- **PORT OPTIONS:**
  - Two, three, or four port versions available

### OPTIONS

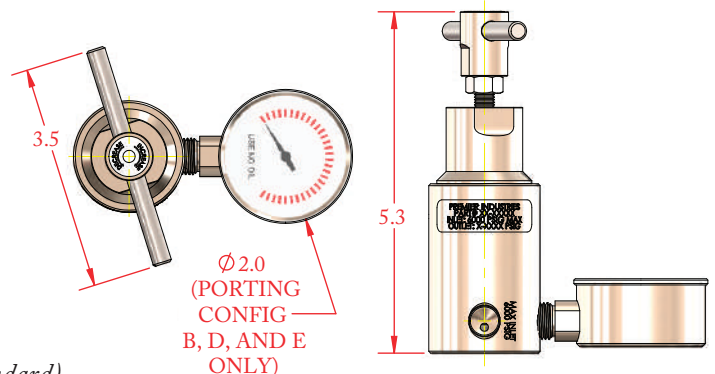
- Gauges (plug): *stainless steel for both stainless body options, no gauges for monel option/monel plug chrome plated brass for all other options*
- Basic hand knob, fluted hand knob, tee handle, or acorn nut
- Panel mounting nuts (*threaded bonnet and mounting holes standard*)
- CGA fittings
- Private label
- Contact factory for custom materials of construction (*monel®, hastelloy® etc.*)



(P/N: 50-12282-2CXXXX222 w/ fluted hand knob shown above)



(P/N: 50-12282-1BXXXX110 w/ basic hand knob shown above)



(P/N: 50-12282-4DXXXX312 w/ T-Handle shown above)



# MINIATURE PNEUMATIC HIGH PRESSURE *Pressure Reducing Regulators*



PART #	-	1	2	-	3	4	-	5	6	-	7	8	9	-	MODS
50-12282	-			-			-			-				-	

1	BODY MATERIAL & FINISH
1	6061-T6 Aluminum <i>Nickel Plated</i>
2	303 Stainless Steel <i>Clean per spec #515</i>
3	316 Stainless Steel <i>Clean per spec #515</i>
4	SAE 360 Brass <i>Nickel Plated</i>
5	Monel 400®
2	PORTING CONFIGURATIONS
A	
B	
C*	
D	
E	
K	
L	

3	OUTLET PRESSURE
0	0-25 PSIG (0 - 1.72 bar)
1	0-80 PSIG (0 - 5.52 bar)
2	0-140 PSIG (0 - 9.65 bar)
3	0-220 PSIG (0 - 15.17 bar)
4	5-700 PSIG (0.34 - 48.26 bar)
5	5-1200 PSIG (0.34 - 82.73 bar)
6	5-1800 PSIG (0.34 - 124.12 bar)
7	5-2500 PSIG (0.34 - 172.37 bar)
8	10-6000 PSIG (0.69 - 413.69 bar)
4	MAIN VALVE (Cv)
1	0.06 max
2	0.20 max
5	O-RING SEAL MATERIAL
1	Nitrile
2	Low-temp nitrile
3	Viton®
4	EPDM
5	Neoprene

6	SEAT MATERIAL
1	PCTFE
2	PEEK®
3	Vespel®
7	HAND KNOB
1	Basic knob
2	Fluted knob
3	Tee handle
4	None <b>** locked / tamper resistant</b>
8	MOUNTING
1	Mounting holes (no mounting nuts)
2	Panel mounting nuts & mounting holes
9	GAUGES
0	None
2	Include gauges (port config. "A" not available with gauges)
MODIFICATIONS	
BLANK	None
L	Orient gauges for left side process inlet ( <b>K porting only</b> )

PEEK is a registered trademark of Victrex PLC. Vespel and Viton are registered trademarks of E.I. duPont de Nemours & Company. Monel is a trademark of Specialty Metals Corporation

\* All ports are 1/4" FNPT unless otherwise indicated on the porting configurations.

**\*\*TAMPER RESISTANT ACORN NUT**  
THE END USER IS RESPONSIBLE TO SPECIFY A PRESET OUTLET PRESSURE. IF AN OUTLET PRESSURE IS NOT SPECIFIED, THE PRESSURE WILL BE LEFT UNSET. NEVER EXCEED THE MAXIMUM OUTLET PRESSURE SPECIFIED ON THE PART NUMBER.

Contact factory for material certifications. Fees may apply.