



HIGH FLOW PISTON SENSED *Pressure Reducing Regulators*



PREMIER INDUSTRIES

1590 99th Ln NE,
Minneapolis, MN 55449
763-786-4020



MADE IN THE USA
Minneapolis, MN

DESCRIPTION

Premier 5050 preset, single stage, high flow, piston sensed, pressure reducing regulators, designed for inlet pressures up to 1000 PSIG (68.95 bar), preset outlet pressures up to 100 psig (6.89 bar) and Cv 5.0.

FEATURES

- Flow capacity (Cv): 5.0
- 1000 PSIG (68.95 bar) max inlet pressure
- Balanced stem for increased outlet pressure stability
- Piston sensed
- Preset outlet pressures
- Non-venting
- Economical pricing
- Compact size
- Machined bar stock body eliminates porosity found in castings

*The Premier 5050 Series pressure reducing regulator's design is remarkably flexible.
Contact Premier Industries for a custom 5050 Series regulator to meet your exact needs.*

D/C: 180205



HIGH FLOW PISTON SENSED *Pressure Reducing Regulators*



SPECIFICATIONS

- **MAXIMUM INLET PRESSURE:** 1000 PSIG (68.95 bar)
- **PRESET OUTLET PRESSURE:**
 - 100 psig (6.89 bar) MAX
- **FLOW (Cv):** 5.0

MATERIALS OF CONSTRUCTION

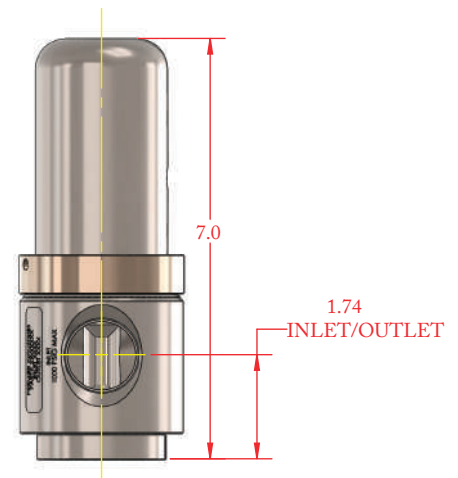
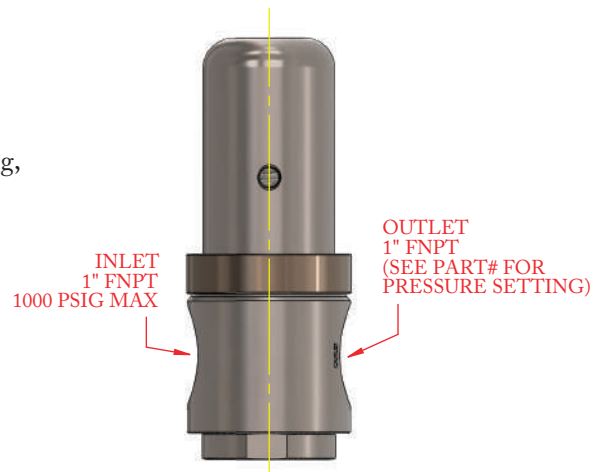
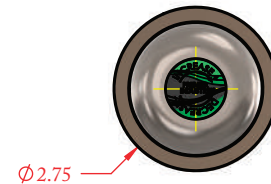
- **PROCESS WETTED MATERIALS (BODY, BONNET, MAIN VALVE COMPONENTS, AND SENSOR)**
 - 303 stainless steel and 316 stainless steel valve spring
 - 316 stainless steel
 - Monel 400 AND Elgiloy vave and load springs
 - 6061-T6 Aluminum (clear anodize), 316 stainless steel valve spring, and 300 series stainless steel main valve components
- **MAIN VALVE SEAT:**
 - Buna-n
 - Viton®
- **O-RING SEALS:**
 - Buna-n
 - Viton®
- **LOAD SPRING (NON-WETTED):**
 - 302 stainless steel or chrome silicon (*standard*)
 - Elgiloy® (*for Monel® wetted configuration*)
- **SPRING BUTTON (NON-WETTED):**
 - 303 stainless steel (*standard*)
 - 316 stainless steel (*for Monel® wetted configuration*)
- **ADJUSTING SCREW (NON-WETTED):**
 - 303 stainless steel (*standard*)
 - 316 stainless steel (*for Monel® wetted configuration*)
- **LOCK NUT (NON-WETTED):**
 - 316 stainless steel
- **BONNET PLUG (NON-WETTED):**
 - Nylon

PORTING

- **STANDARD INLET:**
 - 1" FNPT
- **STANDARD OUTLET:**
 - 1" FNPT

OPTIONS

- Private labeling
- Dome loaded model
- Dome loaded model with bias spring



(Part number: 50-12560 shown above)

Viton® is a registered trademark of E.I. duPont de Nemours and Company

Elgiloy® is a registered trademark of Elgiloy Special Metals Division, Combined Metals of Chicago L.L.C

Monel® is a registered trademark of Special Metals Corporation



**HIGH FLOW
PISTON SENSED**
Pressure Reducing Regulators



PART #	-	1	2	-	XXX
50-12560	-			-	

1	BODY / PROCESS WETTED COMPONENT MATERIALS
1	303 Stainless Steel Body / 316 Stainless Steel Valve Spring
2	316 Stainless Steel Body / 316 Stainless Steel Valve Spring
3	Monel 400® Body **/ Elgiloy® Valve Spring
4	Aluminum, Clear Anodize/ 316 Stainless Steel Valve Spring & 300 Series main valve components
2	SEALS / SEAT MATERIAL
1	Buna-n
2	Viton®

PRESET OUTLET PRESSURE

Specify preset outlet pressure setting in “XXX” psig. 100 psig maximum setting.

(Examples, use “025” for 25 psig outlet setting, “075” is 75 psig outlet setting)

Outlet setting will be made at maximum rated inlet pressure unless specified otherwise when ordered.

***Non-wetted, metal components are 316 Stainless Steel for Monel 400® wetted component option*

Viton® is a registered trademark of E.I.duPont de Nemours and Company

Elgiloy® is a registered trademark of Elgiloy Special Metals Division, Combined Metals of Chicago L.L.C

Monel® is a registered trademark of E.I.duPont de Nemours and Company