



MICRO PISTON SENSED *Pressure Reducing Regulators*



PREMIER INDUSTRIES

1590 99th Ln NE,
Minneapolis, MN 55449
763-786-4020



(Part #: 50-11519)



(Part #: 50-11022)



MADE IN THE USA

Minneapolis, MN

DESCRIPTION

Miniature, economical, piston-sensed, fixed flow, pressure reducing regulators. Premier 2780 Series regulators are used where size, weight, and cost are important. These light-weight, compact regulators feature a fixed flow rate that is factory preset between 0.25 LPM - 9.0 LPM (*or unrestricted*). The 2780 Series regulators shown above are all aluminum, simple and dependable.

FEATURES

- Extremely compact & light-weight
- Factory preset flow settings from 0.25 liters/min to 7.0 liters/min or unrestricted
- Machined bar stock body, and bonnet eliminates porosity found in castings
- Numerous optional features are available.
- Economical pricing

2780 SERIES

MICRO PISTON SENSED Pressure Reducing Regulators

SPECIFICATIONS

- **MAXIMUM INLET PRESSURE:**
(Dependent on inlet connection)
 - P/N: 50-11095: 1000 psig (68.95 bar)
 - P/N: 50-11022: 400 psig (27.58 bar)
 - P/N: 50-11080: 500 psig (34.47 bar)
 - P/N: 50-11519: 500 psig (34.47 bar)
- **STANDARD PRESET CONTROL PRESSURE:**
 - 50/60 PSIG
 - Other preset control pressures optional
- **FLOW (Cv):** Factory preset Cv 0.25-7.0 LPM
(dependent on configuration)
- **WEIGHT:** ~ 0.05 - 0.10 lbs.

MATERIALS OF CONSTRUCTION

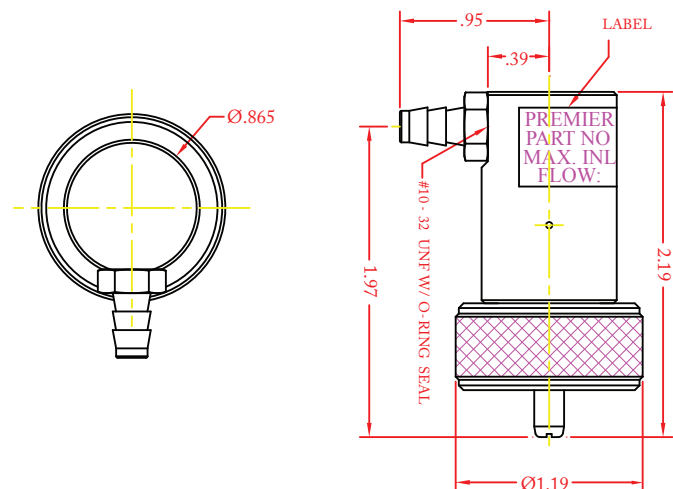
- **BODY OPTIONS:**
 - 6061-T6 Aluminum, Clear Anodized
 - SAE 360 Brass (50-11022 only)
 - 303 Stainless Steel (50-11022 only)
- **BONNET OPTIONS:**
 - 6061-T6 Aluminum, Clear Anodized
 - SAE 360 Brass (50-11022 only)
 - 303 Stainless Steel (50-11022 only)
- **PISTON:**
 - 303 Stainless Steel
- **SEALS:**
 - Viton®
 - Numerous other compounds available upon request
- **VALVE SEAT:** PTFE

PORTING

- **INLET PORTING OPTIONS:**
 - C10 (5/8-18 UNF)
 - CGA 600
 - #10-32 UNF (Female)
- **OUTLET PORTING OPTIONS:**
 - 3/16" Hose Barb
 - #10-32 UNF (Female)

OPTIONS

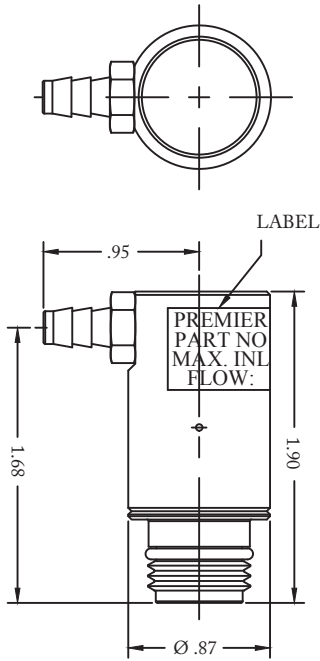
- Anodized Colors for Aluminum Bodies and Bonnets
- Private Label



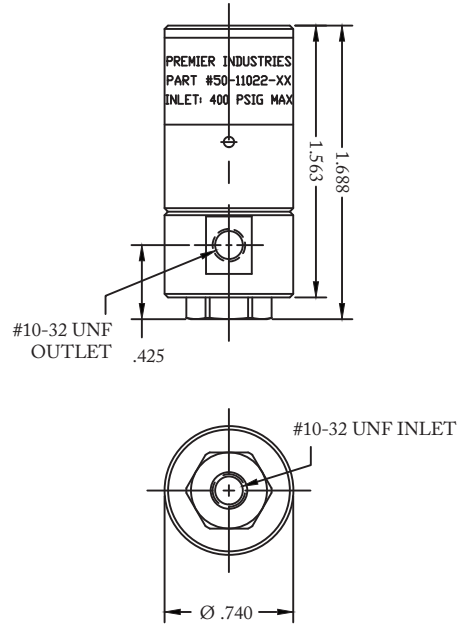
(Part Number 50-11080 shown above)

**MICRO
 PISTON SENSED**
Pressure Reducing Regulators

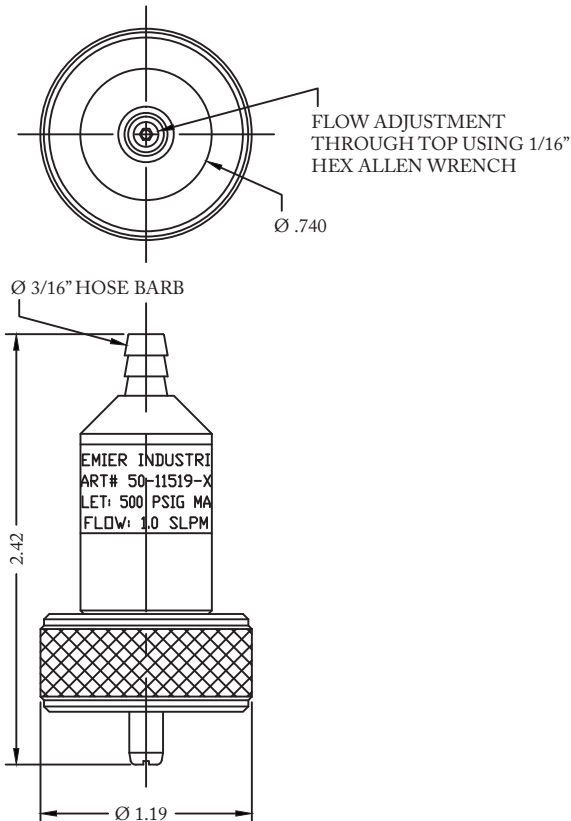
**2780
 SERIES**



(Part Number 50-11095 shown above)



(Part Number 50-11022 shown above)



(Part Number 50-11519 shown above)