



MICRO PISTON SENSED *Pressure Reducing Regulators*



PREMIER INDUSTRIES

1590 99th Ln NE,
Minneapolis, MN 55449
763-786-4020



MADE IN THE USA
Minneapolis, MN

DESCRIPTION

Miniature, economical, piston-sensed, fixed flow, pressure reducing, manifold regulators. 2790 Series regulators are designed drop into a manifold housing, minimizing volume. Premier 2790 Series regulators are rated for inlet pressures up to 3000 psig (206.84 bar) and Cv 0.0025. Offered in both single stage and two stage designs.

FEATURES

- Compact size
- Max Inlet: 1500 psig (103.42 bar) or 3000 psig (206.84 bar)
- Cv: 0.0025
- Single stage and two stage designs available
- Economical pricing
- Machined bar stock body eliminates porosity found in castings

The Premier 2790 Series pressure reducing regulator's design is remarkably flexible. Contact Premier Industries for a custom 2790 Series regulator to meet your exact needs.

2790 SERIES

MICRO PISTON SENSED Pressure Reducing Regulators

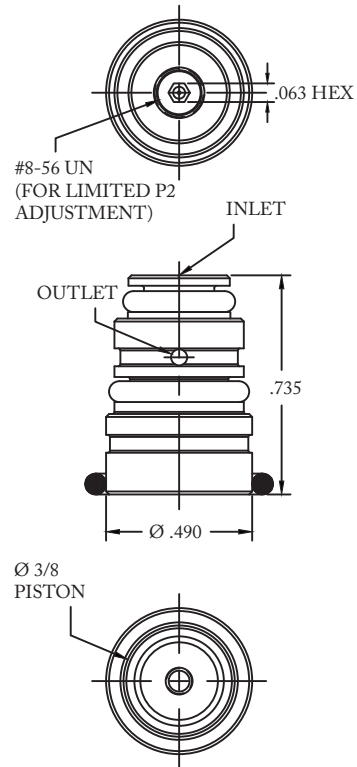


SPECIFICATIONS

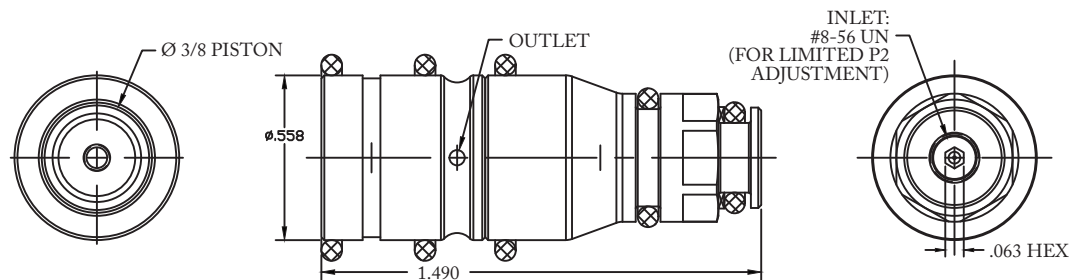
- **MAXIMUM INLET PRESSURE OPTIONS:**
 - 1500 psig (103.42 bar) max
 - 3000 psig (206.84 bar) max
- **PRESET CONTROL PRESSURE OPTIONS:**
 - 30 PSIG (2.07 bar)
 - 45 PSIG (3.10 bar)
 - 150 PSIG (10.34 bar)
 - 250 PSIG (17.24 bar)
 - 500 PSIG (34.47 bar) (50-11398 only)
- **FLOW (Cv):** 0.0025
- **WEIGHT:** ~ 0.05 lbs.

MATERIALS OF CONSTRUCTION

- **BODY OPTIONS:**
 - 6061-T6 Aluminum
 - 316 Stainless Steel
 - 303 Stainless Steel (50-12938 only)
 - Titanium TI-6AL-4V
- **PISTON:**
 - 6061-T6 Aluminum
 - 303 Stainless Steel
 - 316 Stainless Steel (50-12938 only)
 - Titanium TI-6AL-4V
- **PISTON SEAT:**
 - PTFE
- **O-RING SEAL OPTIONS:**
 - Buna-N
 - Viton®
 - EPDM
- **BACK-UP RINGS:**
 - PCTFE



(Single Stage Part Number: 50-11398 shown above)



(Two Stage Part Number: 50-12938 shown above)



**MICRO
PISTON SENSED**
Pressure Reducing Regulators



SINGLE STAGE 2790

PART #	1	2	-	3	4	-	5	6
50-11398			-			-		

1 2	TYPE
BLANK	Standard (1500 psig max)
HP	High pressure (3000 psig max)
3	MATERIAL
0	6061-T6 Aluminum
1	Stainless Steel
5	Titanium TI-6AL-4V
4	OUTLET PRESSURE
0	500 PSIG (34.47 bar)
1	150 PSIG (10.34 bar)
2	45 PSIG (3.10 bar)
3	30 PSIG (2.07 bar)

5 6	O-RING MATERIAL
00	Buna-n
02	Viton-A®
05	EPDM



**MICRO
PISTON SENSED**
Pressure Reducing Regulators



TWO STAGE 2790

PART #	1	2	-	3	4	-	5	6
50-12938			-			-		

1 2	TYPE
BLANK	Standard (1500 psig max)
HP	High pressure (3000 psig max)
3	MATERIAL
0	6061-T6 Aluminum
1	316 Stainless Steel
2	303 Stainless Steel
5	Titanium TI-6AL-4V

4	OUTLET PRESSURE
A	250 PSIG (17.24 bar)
0	500 PSIG (34.47 bar)
1	150 PSIG (10.34 bar)
2	45 PSIG (3.10 bar)
3	30 PSIG (2.07 bar)
5 6	O-RING MATERIAL
00	Buna-n
02	Viton-A®
05	EPDM