



HYDRAULIC HIGH PRESSURE *Pressure Reducing Regulators*

6000 SERIES

PREMIER INDUSTRIES

1590 99th Ln NE,
Minneapolis, MN 55449
763-786-4020



MADE IN THE USA

Minneapolis, MN

DESCRIPTION

The hydraulic, high pressure Premier 6000 Series pressure reducing regulators are piston sensed, variable pressure & delivery regulators, designed for inlet and outlet pressures up to 10000 PSIG (689.48 bar). 6000 Series regulators feature a wide range of inlet and outlet configurations, Cv: 0.06, 0.12, or 0.2, adjustable captured venting, and compatibility with a broad range of non-corrosive and corrosive media (based on materials of construction).

FEATURES

- Piston Sensed
- Main valve cartridge
- Captured venting
- Black anodized aluminum knob
- Machined bar stock body, bonnet and piston eliminates porosity found in castings
- Very competitive pricing
- Numerous optional features available
- NACE MR0175 compatible materials are available

6000 SERIES

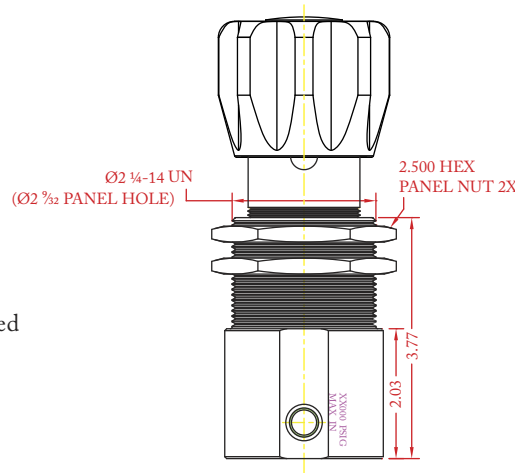
HYDRAULIC HIGH PRESSURE Pressure Reducing Regulators



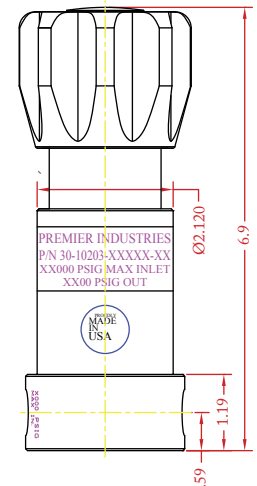
SPECIFICATIONS

- **MAXIMUM INLET PRESSURE:**
 - 10000 PSIG (689.5 Bar)
- **CONTROL PRESSURE RANGES:**
 - 0-200 PSIG (0-13.8 Bar)
 - 5-500 PSIG (0.35-34.5 Bar)
 - 5-800 PSIG (0.35-55.2 Bar)
 - 10-1500 PSIG (0.69-103.4 Bar)
 - 15-2500 PSIG (1.0-172.4 Bar)
 - 25-4000 PSIG (1.7-275.8 Bar)
 - 50-6000 PSIG (3.4-413.7 Bar)
 - 100-10000 PSIG (6.9-689.5 Bar)
- **FLOW CAPACITY**
 - Main Valve Cv: 0.06, 0.12, or 0.20
 - Vent Valve Cv: 0.06
- **DESIGN PROOF PRESSURE:** 150% maximum rated
- **OPERATING TEMPERATURE:****
 - -15°F/-26°C to 165°F/74°C (BUNA-N)
 - -4°F/-20°C to 165°F/74°C (Viton®)
 - -65°F/-54°C to 165°F/74°C (EPDM)
 - 0°F/-17°C to 165°F/74°C (KALREZ®)
 - 15°F/-9°C to 165°F/74°C (ALFAS)
 - -50°F/-45°C to 165°F/74°C (Nitrile, Lo-temp)

PANEL NUT STYLE



PANEL MOUNTING BRACKET STYLE



(Part Number: 30-10203 shown above)

MATERIALS OF CONSTRUCTION

- **BODY:** 316 Stainless Steel (standard)
- **BONNET:** 17-4 Stainless Steel
- **PISTON:** 316 Stainless Steel
- **VENT/MAIN VALVE STEM:** 17-4 Stainless Steel, hardened
- **VALVE SEAT:** 17-4 Stainless Steel, hardened
- **VENT VALVE SEAT:** 316 Stainless Steel
- **WETTED, OTHER:** 316 Stainless Steel & 17-4 Stainless Steel
- **WETTED, NACE COMPLIANT:** 316 Stainless Steel, A286, & Elgiloy®
- **SEALS:** Viton®, Buna-N, EPDM, AFLAS, Nitrile (Lo-Temp), Kalrez®
- **BACK-UP RINGS:** PTFE & PCTFE

PORTING

- **INLET & OUTLET PORT OPTIONS:**
 - 1/4" FNPT, SAE J1926, SAE AS5202**, NPTF or medium pressure
 - 3/8" FNPT, SAE J1926, SAE AS5202**, NPTF or medium pressure
 - 1/2" FNPT, SAE J1926, SAE AS5202**, or NPTF
 - 9/16" medium pressure
- **VENT PORT:**
 - 1/4" FNPT, SAE J1926, SAE AS5202**, NPTF, or medium pressure
- **GAUGE PORTS:** 1/4" FNPT

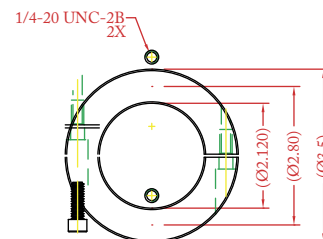
PORT TYPE	ØA	FLATS
NPT, NPTF	Ø2.48	—
1/4" OTHER	Ø2.48	2.36
1/4" & 3/8" SAE	Ø2.98	2.81
3/8" M.P.	Ø2.98	2.81
1/2" SAE	Ø3.23	2.98
9/16" M.P.	Ø3.23	2.98

*Bodies w/ 'L' porting configurations and 3/8" ports and larger require a larger ØA

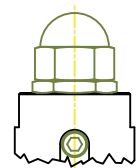
OPTIONAL ITEMS

- Air loaded design (P/N: 30-10219)
- Panel mounting bracket: P/N: 30-10059 (Ø2.15 panel hole)
- Panel mounting nuts: P/N: 30-10189 (Ø2.28 panel hole)
- Gauges
- Private label
- Non-venting

OPTIONAL PANEL MOUNTING BRACKET



OPTIONAL ACORN NUT



(Part Number: 30-10059 shown above)

**SAE AS5202 supersedes MS33649

Viton® & Kalrez® are registered trademarks of E.I. duPont de Nemours and Company. Elgiloy® is a registered trademark of Elgiloy Specialty Metals Division, Combined Metals of Chicago LLC (Contact factory for Kalrez® pricing)

**For extended temperature ranges please contact Premier Industries. Above temperature ranges will apply to the majority of media for which the material is recommended. Temperature ranges can vary with some media, ALWAYS TEST UNDER SERVICE CONDITIONS.



HYDRAULIC HIGH PRESSURE *Pressure Reducing Regulators*



PART #	1	2	-	3	4	5	6	7	-	8	9	MODS
30-10203			-						-			

1 2	MOUNTING STYLE
MB	Mounting bracket style body
PN	Panel nut style body <i>(panel nuts included)</i>
3	OUTLET PRESSURE
0	0-200 PSIG <i>(0-13.8 Bar)</i>
1	5-500 PSIG <i>(0.34-34.5 Bar)</i>
2	5-800 PSIG <i>(0.34-55.2 Bar)</i>
3	10-1500 PSIG <i>(0.69-103.4 Bar)</i>
4	15-2500 PSIG <i>(1.0-172.4 Bar)</i>
5	25-4000 PSIG <i>(1.7-275.8 Bar)</i>
6	50-6000 PSIG <i>(3.4-413.7 Bar)</i>
7	100-10000 PSIG <i>(6.9-689.5 Bar)</i> <i>(stainless steel only)</i>
4	MAIN VALVE Cv
0	Cv 0.06
1	Cv 0.12
2	Cv 0.20
<i>Vent Valve Cv: 0.06</i>	

5	PORTING CONFIG.
A	
C	
L*	
S	
<i>*L porting configurations with 3/8" ports and larger require a larger body diameter</i>	
6	PORT SIZE
4	1/4"
6	3/8"
8	1/2"***
9	9/16"***
<i>**1/2" ports not available in medium pressure **9/16" ports only available in medium pressure Gauge ports: 1/4" FNPT</i>	

7	PORT TYPE IN/OUT/VENT
1	NPT
2	SAE J1926
3	SAE AS5202 (MS33649**)
4	MEDIUM PRESSURE
6	NPTF
<i>**SAE AS5202 supersedes MS33649</i>	
8 9	O-RINGS
00	BUNA-N
01	AFLAS®
02	VITON®
05	EPDM
11	KALREZ® <i>(Contact factory for pricing)</i>
12	NITRILE, LO-TEMP

MODIFICATIONS	
<i>Separate multiple mods with a dash</i>	
Blank	None
N	NACE MR0175/ ISO 15156-2:2009 compatible option
PTU	Port type uniform
ANT	Acorn nut

10000 PSIG MAX INLET: The end user is responsible to ensure adequate fittings are used to connect regulator to plumbing.