



SINGLE STAGE DIAPHRAGM SENSED ABSOLUTE PRESSURE *Back Pressure Regulators*

2150A SERIES

PREMIER INDUSTRIES

1590 99th Ln NE,
Minneapolis, MN 55449
763-786-4020



MADE IN THE USA
Minneapolis, MN

DESCRIPTION

Premier 2150A Series regulators are single stage, diaphragm sensed, increased sensitivity, absolute pressure, back pressure regulators. Premier 2150A Series regulators feature a large stainless steel diaphragm, captured bonnet vent, and an optional panel mount or bottom mount. Premier 2150A Series regulators are rated for Cv 0.04 or 0.20 and designed for inlet pressures from -28”Hg Absolute-100 PSIG.

FEATURES

- Large stainless diaphragm for increased sensitivity and reduced droop
- Stainless diaphragm minimizes inboard diffusion of air into the regulator
- Optional panel mount or bottom mount
- Captured bonnet vent
- Cv 0.04, or 0.20

2150A SERIES

SINGLE STAGE DIAPHRAGM SENSED ABSOLUTE PRESSURE *Back Pressure Regulators*



SPECIFICATIONS

- **INLET PRESSURE (INLET GAUGE RANGE IF SUPPLIED):**
 - -28"Hg Absolute-15 psig (-30" HG-30 psig)
 - -28"Hg Absolute-50 psig (-30" HG-100 psig)
 - -28"Hg Absolute-100 psig (-30" HG-160 psig)
- **FLOW (Cv):**
 - 0.04 (standard)
 - 0.20 (P/N: 50-12682)

MATERIALS OF CONSTRUCTION

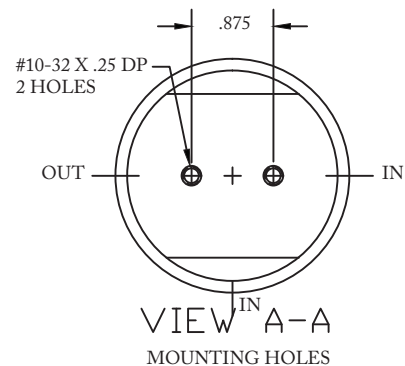
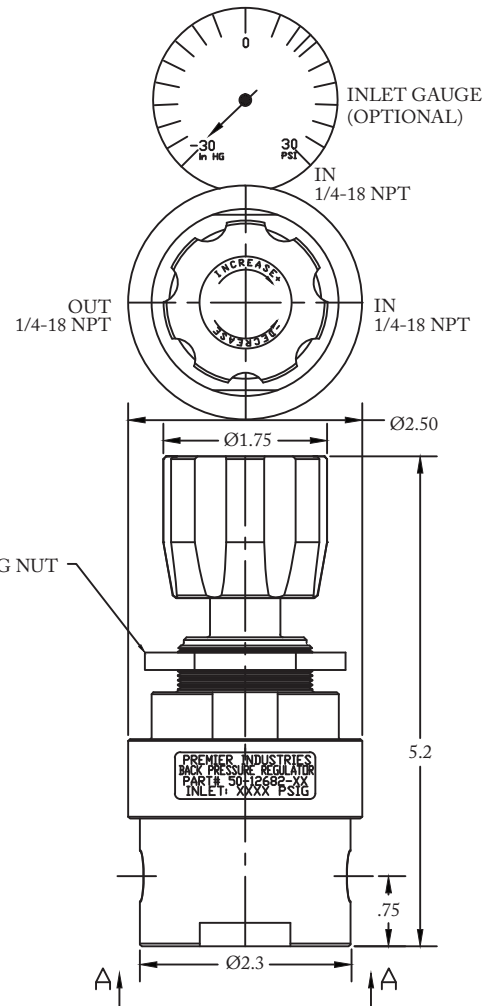
- **BODY:**
 - 316 Stainless Steel
- **BONNET:**
 - 316 Stainless Steel
- **DIAPHRAGM:**
 - 316 Stainless Steel
- **DIAPHRAGM SEAL:** PTFE
- **VALVE SEAT:** PTFE

PORTING

- **INLET:**
 - 1/4 NPT
- **OUTLET:**
 - 1/4 NPT

OPTIONS

- Inlet gauges (2 inch diameter)
- Private label
- Panel mounting nut (P/N: 50-10240)



(Part number 50-12682 shown above)



**SINGLE STAGE
DIAPHRAGM SENSED
ABSOLUTE PRESSURE**
Back Pressure Regulators



Cv 0.20

PART #	-	1	2	3	4	5
50-12682	-					

1	BODY MATERIAL & FINISH
2	316 Stainless Steel, cleaned per spec #515
2	INLET PRESSURE (outlet gauge range if supplied)
0	-28" Hg Absolute-15 psig (-30" HG-30 psig)
1	-28" Hg Absolute-50 psig (-30" HG-100 psig)
2	-28" Hg Absolute-100 psig (-30" HG-160 psig)
3	GAUGES (OPTIONAL)
Blank	no gauges (standard)
A	2" diameter, inlet only, stainless steel wetted gauge
4	PANEL MOUNTING NUT (optional)
5	Mounting nut
8	No nut (standard)

5	PORTING OPTIONS
Blank	 (Standard, in/out only)
B	
E	
F	
G	
H	
L	