



## SINGLE STAGE DIAPHRAGM SENSED ABSOLUTE PRESSURE *Pressure Reducing Regulators*

# 2550A SERIES

### PREMIER INDUSTRIES

1590 99th Ln NE,  
Minneapolis, MN 55449  
763-786-4020



**MADE IN THE USA**  
*Minneapolis, MN*

### DESCRIPTION

Premier 2550A Series regulators are single stage, diaphragm sensed, increased sensitivity, absolute pressure regulators. They can be used to reduce supply pressures up to 3000 PSIG (206.84 bar) into a vacuum environment for sub-atmospheric pressure control. Premier 2550A Series regulators feature a large Elgiloy® diaphragm, Cv 0.08, and optional panel mount or bottom mount.

### FEATURES

- Full vacuum sub-atmospheric pressure control
- Large Elgiloy® diaphragm for increased sensitivity and reduced droop
- Elgiloy® diaphragm minimizes inboard diffusion of air into the regulator
- Optional panel mount or bottom mount
- Captured bonnet vent
- 15 micron sintered inlet filter
- 3000 PSIG (206.84 bar) max inlet pressure
- Cv 0.08
- Optional NACE compliant design

# 2550A SERIES

## SINGLE STAGE DIAPHRAGM SENSED ABSOLUTE PRESSURE *Pressure Reducing Regulators*



### SPECIFICATIONS

- **MAXIMUM INLET PRESSURE:** 3000 PSIG (206.84 bar)
- **OUTLET PRESSURE RANGES:**
  - 50 mm Hg absolute - 15 psig (30" HG-30 psig)
  - \*\*50 mm Hg absolute = 28" Hg*
- **FLOW (Cv):** 0.08

### MATERIALS OF CONSTRUCTION

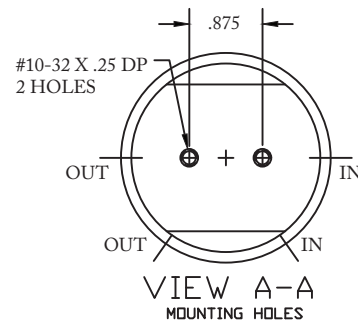
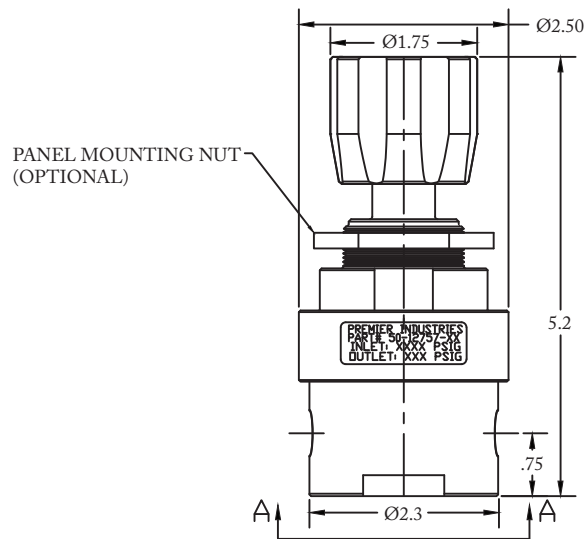
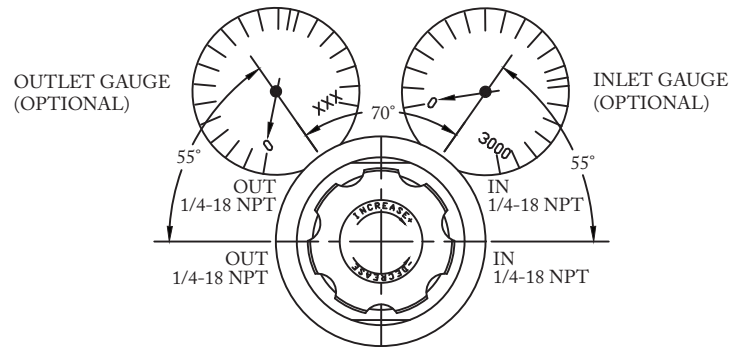
- **BODY:**
  - 316 Stainless Steel
- **BONNET:**
  - SAE 360 Brass/Nickel Plated (P/N 50-12757)
  - 316 Stainless Steel (P/N 50-12484)
- **DIAPHRAGM:**
  - Elgiloy®
- **DIAPHRAGM SEAL:** PTFE
- **VALVE SEAT:** PTFE

### PORTING

- **INLET:**
  - 1/4-18 NPT
- **OUTLET:**
  - 1/4-18 NPT

### OPTIONS

- Gauges (2 inch diameter)
- Private label
- Panel mounting nut (P/N: 50-10240)



(Part number 50-12757 | 50-12484 shown above)



**SINGLE STAGE  
DIAPHRAGM SENSED  
ABSOLUTE PRESSURE**  
*Pressure Reducing Regulators*



**STANDARD MODEL, BRASS/NICKEL PLATED BONNET**

PART #	-	1	2	3	4	5
50-12757	-					

1	BODY MATERIAL & FINISH
2	316 Stainless Steel, cleaned per spec #515
2	OUTLET PRESSURE
0	0-50 mm Hg Absolute-15 psig (30" HG-30 psig)
3	GAUGES (OPTIONAL)
Blank	no gauges (standard)
A	2" diameter, inlet only, stainless steel wetted gauge
B	2" diameter, outlet only, stainless steel wetted gauge
C	2" diameter, inlet & outlet, stainless steel wetted gauges
4	PANEL MOUNTING NUT (optional)
5	Mounting nut
8	No nut (standard)

5	PORTING OPTIONS
Blank	 (*C, Standard)
A	
B	
D	
E	
F	
G	
H	
I	
J	
K	
L	
S	



**SINGLE STAGE  
DIAPHRAGM SENSED  
ABSOLUTE PRESSURE**  
*Pressure Reducing Regulators*



**NACE MR01075 COMPLIANT MODEL, 316 STAINLESS STEEL BONNET**

PART #	-	1	2	3	4	5
50-12484	-					

1	BODY MATERIAL & FINISH
2	316 Stainless Steel, cleaned per spec #515
2	OUTLET PRESSURE
0	0-50 mm Hg Absolute-15 psig (30" HG-30 psig)
3	GAUGES (OPTIONAL)
Blank	no gauges (standard)
A	2" diameter, inlet only, stainless steel wetted gauge
B	2" diameter, outlet only, stainless steel wetted gauge
C	2" diameter, inlet & outlet, stainless steel wetted gauges
4	PANEL MOUNTING NUT (optional)
5	Mounting nut
8	No nut (standard)

5	PORTING OPTIONS
Blank	 (C, Standard)
A	
B	
D	
E	
F	
G	
H	
I	
J	
K	
L	
S	