



## HIGH FLOW PISTON SENSED *Pressure Reducing Regulators*



### PREMIER INDUSTRIES

1590 99th Ln NE,  
Minneapolis, MN 55449  
763-786-4020



**MADE IN THE USA**  
*Minneapolis, MN*

### DESCRIPTION

Premier 5050 Series, single stage, high flow, piston sensed, pressure reducing regulators, designed for inlet pressures up to 1000 PSIG (68.95 bar), outlet pressures up to 200 psig (13.79 bar) and Cv 5.0.

### FEATURES

- Flow capacity (Cv): 5.0
- 1000 PSIG (68.95 bar) max inlet pressure
- Balanced stem for increased outlet pressure stability
- Piston sensed
- Optional preset outlet pressure
- Non-venting & self venting designs available
- Economical pricing
- Compact size
- Machined bar stock body eliminates porosity found in castings

*The Premier 5050 Series pressure reducing regulator's design is remarkably flexible.  
Contact Premier Industries for a custom 5050 Series regulator to meet your exact needs.*

# 5050 SERIES

## HIGH FLOW PISTON SENSED Pressure Reducing Regulators



### SPECIFICATIONS

- **MAXIMUM INLET PRESSURE:** 1000 psig (68.95 bar)
- **PRESET OUTLET PRESSURE (50-12560):**
  - 100 psig (6.89 bar) max
- **OUTLET PRESSURE RANGE (50-12860 & 50-13144)**
  - 0-25 psig (0-1.72 bar)
  - 0-50 psig (0-3.45 bar)
  - 0-100 psig (0-6.89 bar)
  - 0-150 psig (0-10.34 bar)
  - 0-200 psig (0-13.79 bar)
- **FLOW (Cv):** 5.0

### MATERIALS OF CONSTRUCTION

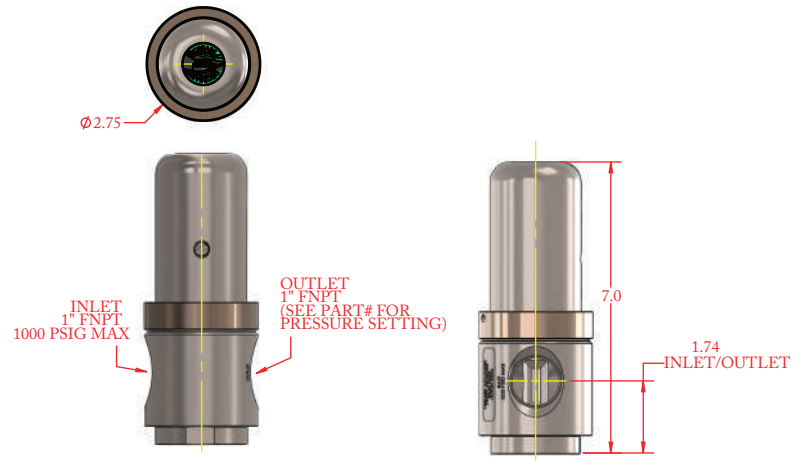
- **BODY MATERIAL OPTIONS:**
  - 303 Stainless Steel
  - 316 Stainless Steel
  - 6061-T6 Aluminum (Clear Anodize)
  - Monel 400® (50-12560 only)
- **MAIN VALVE SEAT OPTIONS:**
  - Buna-n
  - Viton®
- **O-RING SEAL OPTIONS:**
  - Buna-n
  - Viton®

### PORTING

- **INLET OPTIONS:**
  - 1" FNPT
  - 3/4" FNPT
- **OUTLET OPTIONS:**
  - 1" FNPT
  - 3/4" FNPT

### OPTIONS

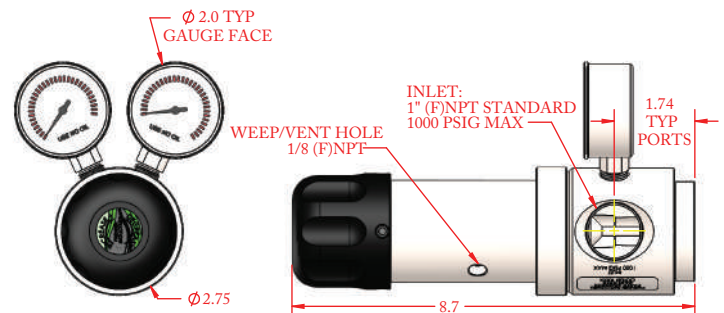
- Private labeling



(Part number: 50-12560 shown above)



(Part numbers: 50-12860 / 50-13144 shown above)



(Part numbers: 50-12860 / 50-13144 shown above)

Viton® is a registered trademark of E.I. duPont de Nemours and Company

Elgiloy® is a registered trademark of Elgiloy Special Metals Division, Combined Metals of Chicago L.L.C

Monel® is a registered trademark of Special Metals Corporation



**HIGH FLOW  
PISTON SENSED**  
*Pressure Reducing Regulators*



**PRESET OUTLET PRESSURE, NON-VENTING**

PART #	-	1	2	-	XXX	-	MODS
50-12560	-			-		-	

1	BODY / PROCESS WETTED COMPONENT MATERIALS
1	303 Stainless Steel Body / 316 Stainless Steel Valve Spring
2	316 Stainless Steel Body / 316 Stainless Steel Valve Spring
3	Monel 400® Body Elgiloy® valve & load springs*
4	Aluminum, Clear Anodize/ 316 Stainless Steel Valve Spring & 300 Series main valve components
*NON-STANDARD NON-WETTED COMPONENTS USED FOR MONEL CONFIGURATION LOAD SPRING IS ELGILOY AND ALL OTHER NON-WETTED COMPONENTS ARE 316SS	
2	SEALS / SEAT MATERIAL
1	Buna-n
2	Viton®

PRESET OUTLET PRESSURE	
Specify preset outlet pressure setting in "XXX" psig. 100 psig maximum setting.  <i>(Examples, use "025" for 25 psig outlet setting, "075" is 75 psig outlet setting)</i>	
Outlet setting will be made at maximum rated inlet pressure unless specified otherwise when ordered.	
MODIFICATIONS (Include all applicable)	
BLANK	Standard porting/ no gauges
A	3/4 FNPT process ports
B	Include gauge ports (1/4 FNPT) / no gauges
C	Include gauge ports with gauges installed

Viton® is a registered trademark of E.I.duPont de Nemours and Company  
 Elgiloy® is a registered trademark of Elgiloy Special Metals Division, Combined Metals of Chicago L.L.C  
 Monel® is a registered trademark of E.I.duPont de Nemours and Company



**HIGH FLOW  
PISTON SENSED**  
*Pressure Reducing Regulators*



**HAND LOADED, NON-VENTING**

PART #	-	1	2	-	3	4	-	5
50-12860	-			-			-	

1	BODY / BONNET /BACK CAP MATERIAL / FINISH
1	303 Stainless Steel, <i>Cleaned per PI #515</i>
2	316 Stainless Steel, <i>Cleaned per PI #515</i>
3	6061-T6 Aluminum, <i>Clear Anodize</i>
2	SEAT AND SEAL MATERIAL
1	Buna-n
2	Viton®
3	PORTING
1	
2	
3	

4	GAUGES
0	No gauges
1	Include gauges <i>(not available on S/S* porting)</i>
5	OUTLET PRESSURE RANGE
1	0-25 PSIG (0-1.72 bar)
2	0-50 PSIG (0-3.45 bar)
3	0-100 PSIG (0-6.89 bar)
4	0-150 PSIG (0-10.34 bar)
5	0-200 PSIG (0-13.79 bar)

Viton® is a registered trademark of E.I.duPont de Nemours and Company  
 Elgiloy® is a registered trademark of Elgiloy Special Metals Division, Combined Metals of Chicago L.L.C  
 Monel® is a registered trademark of E.I.duPont de Nemours and Company

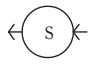




**HIGH FLOW  
PISTON SENSED**  
*Pressure Reducing Regulators*



**HAND LOADED, SELF VENTING**

PART #	-	1	2	-	3	4	-	5
50-13144	-			-			-	

1	BODY / BONNET /BACK CAP MATERIAL / FINISH
1	303 Stainless Steel, <i>Cleaned per PI #515</i>
2	316 Stainless Steel, <i>Cleaned per PI #515</i>
3	6061-T6 Aluminum, <i>Clear Anodize</i>
2	SEAT AND SEAL MATERIAL
1	Buna-n
2	Viton®
3	PORTING
1	
2	
3	

4	GAUGES
0	No gauges
1	Include gauges <i>(not available on S/S* porting)</i>
5	OUTLET PRESSURE RANGE
1	0-25 PSIG (0-1.72 bar)
2	0-50 PSIG (0-3.45 bar)
3	0-100 PSIG (0-6.89 bar)
4	0-150 PSIG (0-10.34 bar)
5	0-200 PSIG (0-13.79 bar)