



SINGLE STAGE PISTON SENSED SELF-VENTING *Pressure Reducing Regulators*



PREMIER INDUSTRIES

1590 99th Ln NE,
Minneapolis, MN 55449
763-786-4020



MADE IN THE USA

Minneapolis, MN

DESCRIPTION

The Premier 2660 Series pressure reducing regulators are single stage, piston sensed, self-venting, cylinder and line regulators. Premier 2660 Series regulators feature a max inlet pressure of 3500 PSIG (241.32 bar), control pressures up to 1000 PSIG (68.95 bar), and Cv 0.08, or 0.20. The self venting hole in the bonnet can be captured for use with toxic/corrosive media.

FEATURES

- Captured, self-venting, bonnet vent
- Stainless steel piston/piston housing
- 3500 PSIG (241.32 bar) max inlet pressure
- Cv 0.08, or 0.20
- Machined bar stock body, bonnet, and piston eliminates porosity found in castings
- Economical pricing

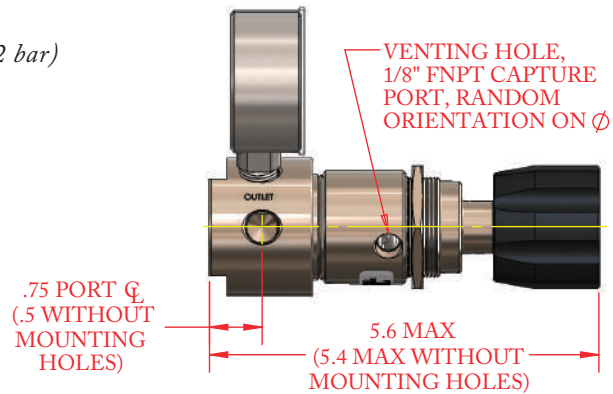
2660 SERIES

SINGLE STAGE PISTON SENSED SELF-VENTING *Pressure Reducing Regulators*



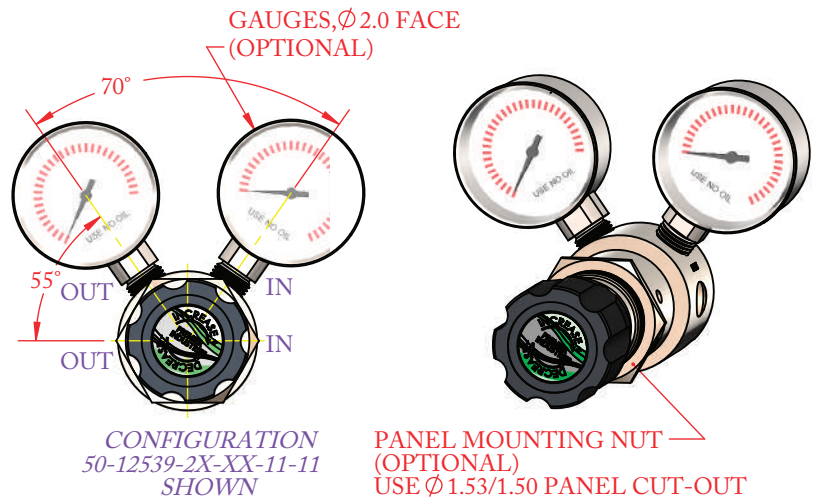
SPECIFICATIONS

- **MAXIMUM INLET PRESSURE:** 3500 PSIG (241.32 bar)
- **CONTROL PRESSURE RANGES:**
 - 0-25 PSIG (0 - 1.72 bar)
 - 0-50 PSIG (0 - 3.45 bar)
 - 0-100 PSIG (0 - 6.89 bar)
 - 0-250 PSIG (0 - 17.24 bar)
 - 0-500 PSIG (0 - 34.47 bar)
 - 0-600 PSIG (0 - 41.36 bar)
 - 0-1000 PSIG (0 - 68.95 bar)
- **FLOW (Cv):** 0.08, 0.20



MATERIALS OF CONSTRUCTION

- **BODY OPTIONS:**
 - 303 Stainless Steel
 - 316 Stainless Steel
 - SAE 360 Brass/Nickel Plated
- **BONNET (NON-WETTED):**
 - SAE 360 Brass/Nickel Plated
- **PISTON/PISTON HOUSING:**
 - 303 Stainless Steel
- **MAIN VALVE SEAT:** PCTFE
- **MAIN VALVE CARTRIDGE SEAL:**
 - PTFE
- **O-RING OPTIONS:**
 - Viton-A®
 - Nitrile
 - EPDM
 - Neoprene
 - *Contact factory for other options*
- **VENT VALVE/VENT SEAT RETAINER:**
 - 303 Stainless Steel

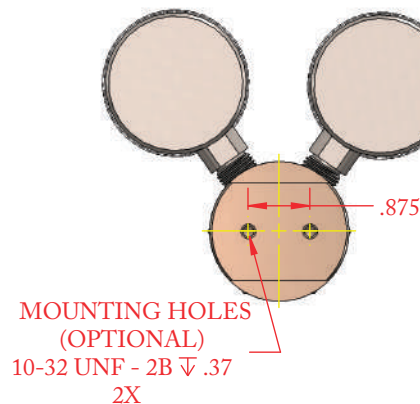


PORTING

- **INLET:**
 - 1/4" FNPT
 - AS5202-04
- **OUTLET:**
 - 1/4" FNPT
 - AS5202-04
- **VENTING HOLE:**
 - 1/8" FNPT

OPTIONS

- Panel mounting nut (6061-T6 Aluminum/Nickel Plated)
- Gauges
- Mounting holes
- Private label



(Part number shown above: 50-12539)



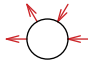



**SINGLE STAGE
PISTON SENSED
SELF-VENTING**
Pressure Reducing Regulators



PART #	-	1	2	-	3	4	-	5	6	-	7	8
50-12539	-			-			-			-		

1	BODY MATERIAL & FINISH
1	316 Stainless Steel, cleaned per spec #515
2	303 Stainless Steel, cleaned per spec #515
3	SAE 360 Brass, Nickel Plated
2	O-RING SEALS
0	Nitrile
1	Viton-A®
5	EPDM
6	Neoprene

3	OUTLET PRESSURE
1	0-25 PSIG (0-1.72 Bar)
2	0-50 PSIG (0-3.45 Bar)
3	0-100 PSIG (0-6.89 Bar)
4	0-250 PSIG (0-17.24 Bar)
5	0-500 PSIG (0-34.47 Bar)
6	0-600 PSIG (0-41.36 Bar)
9	0-1000 PSIG (0-68.95 Bar)
4	MAIN VALVE Cv
1	Cv 0.08
2	Cv 0.20
5	GAUGES (optional)
0	No gauges
1	Include gauges* *Gauges not available on 'S' porting configuration

6	PANEL MOUNTING NUT (optional)
0	No nut
1	Include mounting nut
7	PORTING CONFIGURATIONS
1	 ('C' configuration 1/4" FNPT, 4X)
2	 ('S' configuration 1/4" FNPT, 2X)
3	 ('C*' configuration ASS202-04, 4X)
4	 ('B' configuration 1/4" FNPT, 4X)
8	MOUNTING HOLES (optional)
0	None
1	10-32 UNF-2B (2X)