

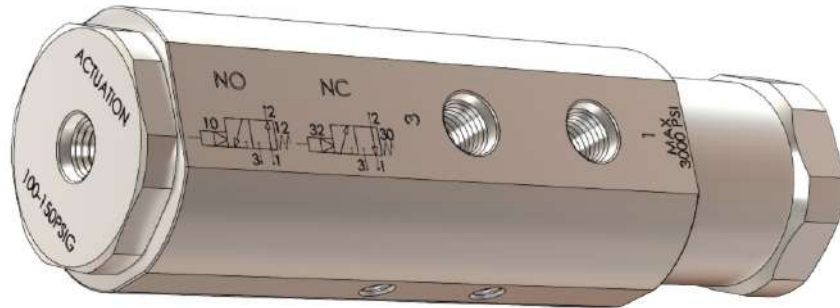


PNEUMATICALLY ACTUATED THREE WAY, TWO POSITION *Valves*



PREMIER INDUSTRIES

1590 99th Ln NE,
Minneapolis, MN 55449
763-786-4020



MADE IN THE USA

Minneapolis, MN

DESCRIPTION

The Premier PA32 Series pneumatically actuated, high pressure 3/2 valve can operate as both normally open and normally closed with a simple change in plumbing. This valve is rated for operating pressures up to 3000 psig /206.8 barg, Cv 0.025, and can actuate at as low as 100 psig / 6.89 barg.

NORMALLY OPEN

When used in the normally open position while unloaded, the PA32 allows flow from inlet to outlet. When loaded with 100-150 psig (6.89-10.34 bar), the PA32 allows flow from outlet to exhaust.

NORMALLY CLOSED

When used in the normally closed position while unloaded it allows flow from outlet to exhaust. When loaded with 100-150 psig (6.89-10.34 bar), the PA32 allows flow from inlet to outlet.

FEATURES

- High process pressures for heavy actuation loads.
- Can be used as normally open or normally closed

PA32 SERIES

PNEUMATICALLY ACTUATED THREE WAY, TWO POSITION *Valves*



SPECIFICATIONS

- MAWP: 3000 PSIG (206.84 bar)
- ACTUATION PRESSURE :
 - 100-150 PSIG (6.89-10.34 bar)
- FLOW (Cv) : 0.025

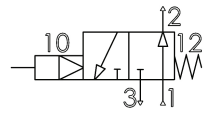
MATERIALS OF CONSTRUCTION

- METALS:
 - SAE 360 Brass, Nickel Plated & 17-4 Stainless Steel
 - 303 Stainless Steel & 17-4 Stainless Steel
- SOFT GOODS:
 - PTFE, PEEK®, BUNA-N, & POLYURETHANE
- LUBRICANT:
 - Krytox 240AC

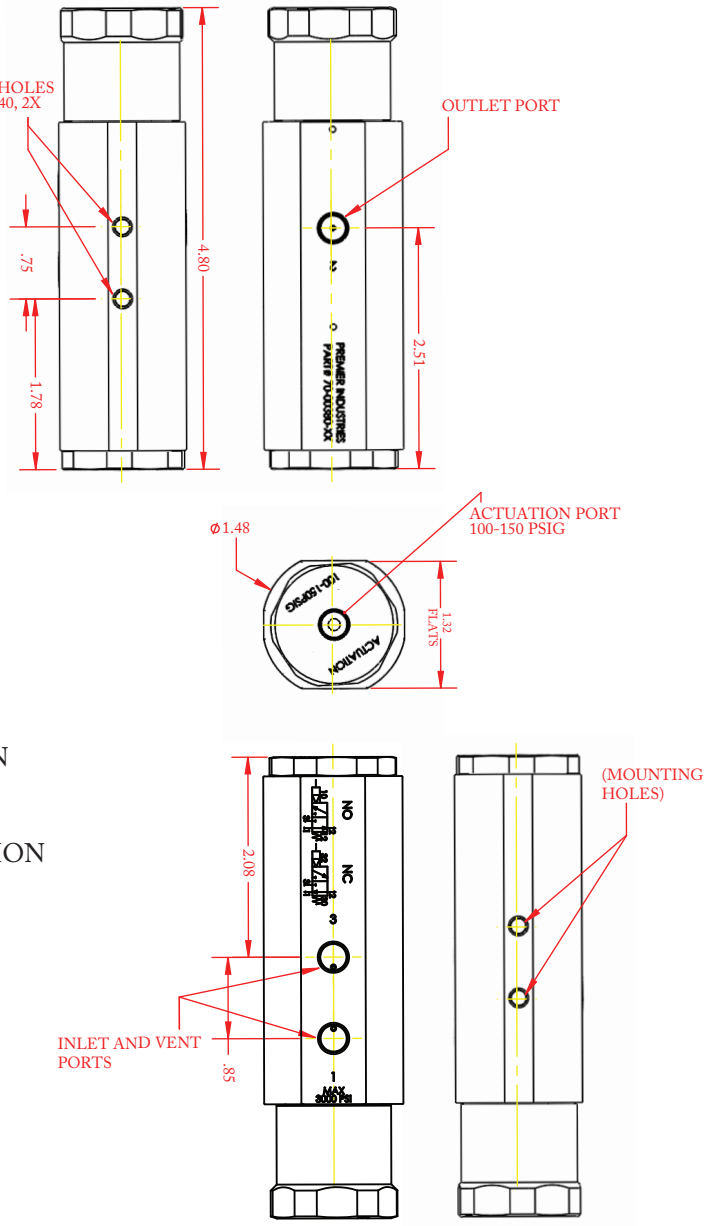
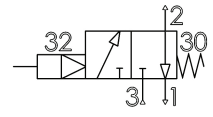
PORTING

- SAE J1926-1 SIZE -2 (1/8 TUBE) (standard, see selector)
- PORT '1': INLET FOR NORMALLY OPEN OPERATION (VENT FOR N.C.)
- PORT '2': PROCESS OUTLET PORT
- PORT '3': INLET FOR NORMALLY CLOSED OPERATION (VENT FOR N.O.)

NORMALLY OPEN



NORMALLY CLOSED



OPTIONS

- Private labeling
- Bottom mount bracket: ABS plastic and stainless steel (see page 3)

(Part number shown above: 70-00380)



PNEUMATICALLY ACTUATED THREE WAY, TWO POSITION *Valves*

PART #	-	1	2	-	3
70-00380	-			-	

1	MATERIAL
1	SAE 360 Brass, Nickel Plated & 17-4 Stainless Steel
2	303 Stainless Steel & 17-4 Stainless Steel
2	PORTING
1	SAE J1926-1, SIZE -2 (1/8 TUBE)
MODIFICATIONS (ADD ALL REQUIRED MODS TO END OF PART#)	
BLANK	None
B	Bottom mount bracket
SPX5	Clean and handle to SPX class 5

BOTTOM MOUNT BRACKET (OPTIONAL)

