



HIGH SENSITIVITY HIGH PRESSURE *Pressure Reducing Regulators*

3400 SERIES

PREMIER INDUSTRIES

1590 99th Ln NE,
Minneapolis, MN 55449
763-786-4020



MADE IN THE USA
Minneapolis, MN

DESCRIPTION

Premier 3400 Series high pressure, diaphragm sensed, pressure reducing regulators offer high sensitivity with precise outlet pressure control. These precision, diaphragm sensed, pressure reducing regulators are rated for inlet pressures up to 6000 psig (414 bar), outlet pressures up to 600 psig (41.4 bar) and Cv 0.06 or 0.20. The 3400 Series self-venting option enables the operator to vent downstream pressures through the regulator to reduce the pressure in a closed system. The self-venting feature can be rendered non-operational if a non-venting design is desired.

FEATURES

- Great sensitivity
- Large elastomeric diaphragm
- Optional panel mounting bracket
- Self-venting and non-venting options available
- 316 stainless steel filter extends seat life
- Cv 0.06 or 0.20
- Optional tamper resistant acorn nut



HIGH SENSITIVITY HIGH PRESSURE Pressure Reducing Regulators



SPECIFICATIONS

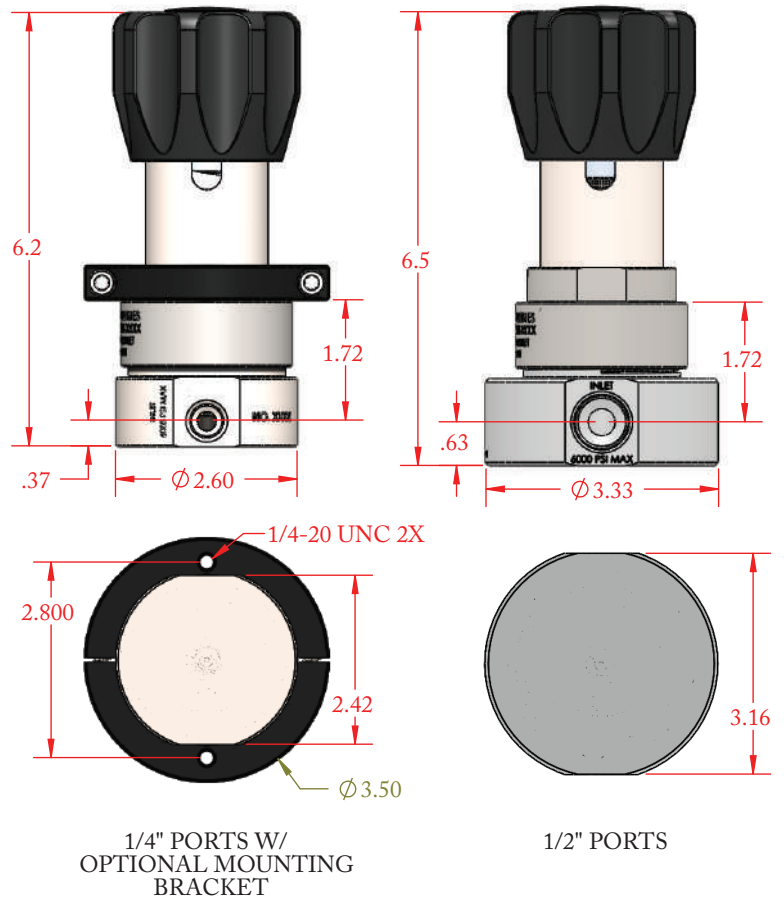
- **MAXIMUM INLET PRESSURE:** 6000 PSIG (414 bar)
- **CONTROL PRESSURE RANGE:**
 - 0-50 PSIG (0 - 3.4 bar)
 - 0-150 PSIG (0 - 10.3 bar)
 - 0-250 PSIG (0 - 17.2 bar)
 - 0-500 PSIG (0 - 34.5 bar)
 - 0-600 PSIG (0 - 41.4 bar)
- **FLOW (Cv):** 0.20, 0.06
- **OPERATING TEMPERATURE:**
 - -40°F to 165°F / -40°C to 74°C

OPTIONAL ITEMS

- Panel mounting bracket: P/N: 30-10059 (Ø2.15 panel hole)
- Gauges
- Self-venting or non-venting
- Tamper resistant acorn nut
- Private labeling

MATERIALS OF CONSTRUCTION

- **BODY & BONNET OPTIONS:**
 - 316 Stainless Steel
 - 2024-T351 Aluminum
 - SAE 360 Brass
- **DIAPHRAGM OPTIONS:**
 - Buna-N
 - Neoprene
- **MAIN VALVE SEAT:**
 - PCTFE
- **VENT VALVE SEAT:**
 - PCTFE
- **O-RINGS:**
 - PTFE
- **FILTER:**
 - 15 micron, 316 Stainless Steel
- **REMAINING PARTS:**
 - 300 Series Stainless Steel



PORTING

- **INLET & OUTLET OPTIONS:**
 - 1/4", 3/8", 1/2" FNPT
 - 1/4", 3/8", 1/2" SAE J1926, SAE AS5202*

(Part number shown above: 30-10435)

*SAE AS5202 supersedes MS33649

Contact factory for material certifications. Fees may apply.



HIGH SENSITIVITY HIGH PRESSURE

Pressure Reducing Regulators



PART #	-	1	2	3	4	-	5	6	7	8	-	MODS
30-10435	-					-					-	

1	PORTING
1	1/4" NPT
2	3/8" NPT
3	1/2" NPT
4	1/4" SAE J1926
5	3/8" SAE J1926
6	1/4" SAE AS5202*
7	3/8" SAE AS5202*
8	1/2" SAE J1926
9	1/2" SAE AS5202*
2	Cv RATING
0	0.06
1	0.20
3	VENTING
1	Self venting
2	Non venting

4	BODY/BONNET/ RETAINER MATERIALS
1	SAE 360 Brass
2	316 Stainless Steel
3	2024-T351 Aluminum
5	FILTER
1	15 micron
6	DIAPHRAGM MATERIAL
1	Buna-N
2	Neoprene
7	OUTLET PRESSURE
0	600 psig (41.4 bar)
1	500 psig (34.5 bar)
2	250 psig (17.2 bar)
3	150 psig (10.3 bar)
4	50 psig (3.4 bar)

8	MOUNTING BRACKET
1	No bracket
2	Aluminum mounting bracket
3	Stainless steel mounting bracket
MODIFICATIONS	
A	Acorn nut
E	Laser engrave label (N/A for brass)

*SAE AS5202 supersedes MS33649

6000 PSIG MAX INLET
The end user is responsible to ensure adequate fittings are used to connect regulator to plumbing.

Contact factory for material certifications. Fees may apply.