

## 2550A SERIES

Single Stage, Diaphragm Sensed, Absolute Pressure  
Pressure Reducing Regulators



Premier 2550A Series regulators are single stage, diaphragm sensed, increased sensitivity, absolute pressure regulators. They can be used to reduce supply pressures up to 3000 PSIG (206.84 bar) into a vacuum environment for sub-atmospheric pressure control. Premier 2550A Series regulators feature a large Elgiloy® diaphragm, Cv 0.08, and optional panel mount or bottom mount.

### FEATURES

- Full vacuum sub-atmospheric pressure control
- Large Elgiloy® diaphragm for increased sensitivity and reduced droop
- Elgiloy® diaphragm minimizes inboard diffusion of air into the regulator
- Optional panel mount or bottom mount
- Captured bonnet vent
- 15 micron sintered inlet filter
- 3000 PSIG (206.84 bar) max inlet pressure
- Cv 0.08
- Optional NACE compliant design

**SOME APPLICATIONS WILL REQUIRE A CUSTOM SOLUTION.**  
CONTACT PREMIER INDUSTRIES TO REQUEST A MODIFICATION  
OR A CUSTOM DESIGN.

## SPECIFICATIONS

- **MAXIMUM INLET PRESSURE:**
  - 3000 PSIG (206.84 bar)
- **OUTLET PRESSURE RANGES:**
  - 50 mm Hg absolute - 15 psig (30" HG-30 psig)
  - *\*\*50 mm Hg absolute = 28" Hg*
- **FLOW (Cv):** 0.08

## OPTIONS

- Gauges (2 inch diameter)
- Private label
- Panel mounting nut (P/N: 50-10240)

## MATERIALS OF CONSTRUCTION

- **BODY:**
  - 316 Stainless Steel
- **BONNET:**
  - SAE 360 Brass/Nickel Plated (P/N 50-12757)
  - 316 Stainless Steel (P/N 50-12484)
- **DIAPHRAGM:**
  - Elgiloy®
- **DIAPHRAGM SEAL:** PTFE
- **VALVE SEAT:** PTFE

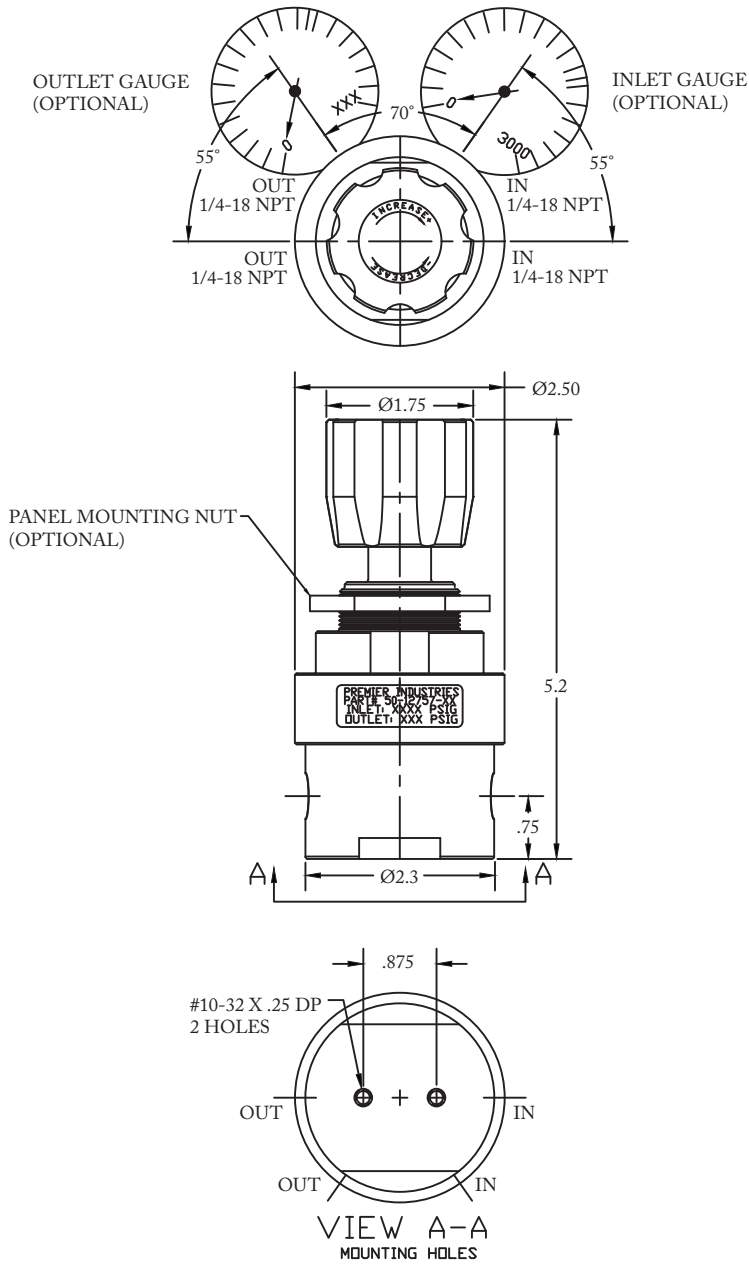
## PORTING

- **INLET:**
  - 1/4-18 NPT
- **OUTLET:**
  - 1/4-18 NPT

*Elgiloy® is a registered Trademark of Elgiloy Specialty Metals  
Division, Combined Metals of Chicago L.L.C*

*Contact factory for material certifications. Fees may apply.*

PART NUMBER 50-12757 / 50-12484




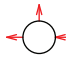


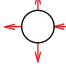
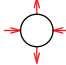

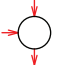
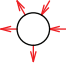
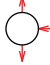

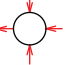
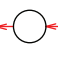
# 2550A SERIES

Single Stage, Diaphragm Sensed, Absolute Pressure  
Pressure Reducing Regulators

PART #	-	1	2	3	4	5
50-12757	-					

## STANDARD MODEL, BRASS/NICKEL PLATED BONNET

1	BODY MATERIAL & FINISH
2	316 Stainless Steel, <i>cleaned per spec #515</i>
2	OUTLET PRESSURE
0	0-50 mm Hg Absolute-15 psig <i>(30" HG-30 psig)</i>
3	GAUGES <i>(OPTIONAL)</i>
Blank	no gauges <i>(standard)</i>
A	2" diameter, inlet only, stainless steel wetted gauge
B	2" diameter, outlet only, stainless steel wetted gauge
C	2" diameter, inlet & outlet, stainless steel wetted gauges
4	PANEL MOUNTING NUT <i>(optional)</i>
5	Mounting nut
8	No nut <i>(standard)</i>

5	PORTING OPTIONS
Blank	 <i>(C, Standard)</i>
A	
B	
D	
E	
F	
G	
H	
I	
J	
K	
L	
S	

Contact factory for material certifications.  
Fees may apply.


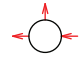



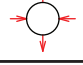
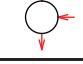
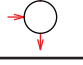
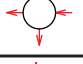
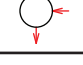
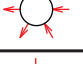
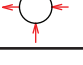

# 2550A SERIES

Single Stage, Diaphragm Sensed, Absolute Pressure  
Pressure Reducing Regulators

PART #	-	1	2	3	4	5
50-12484	-					

**NACE MR01075 COMPLIANT MODEL,  
316 STAINLESS STEEL BONNET**

1	BODY MATERIAL & FINISH
2	316 Stainless Steel, <i>cleaned per spec #515</i>
2	OUTLET PRESSURE
0	0-50 mm Hg Absolute-15 psig <i>(30" HG-30 psig)</i>
3	GAUGES <i>(OPTIONAL)</i>
Blank	no gauges <i>(standard)</i>
A	2" diameter, inlet only, stainless steel wetted gauge
B	2" diameter, outlet only, stainless steel wetted gauge
C	2" diameter, inlet & outlet, stainless steel wetted gauges
4	PANEL MOUNTING NUT <i>(optional)</i>
5	Mounting nut
8	No nut <i>(standard)</i>

5	PORTING OPTIONS
Blank	 <i>(C, Standard)</i>
A	
B	
D	
E	
F	
G	
H	
I	
J	
K	
L	
S	

Contact factory for material certifications.  
Fees may apply.