

2701 SERIES

Compact, Economical, Fixed Flow, Piston Sensed
Pressure Reducing Regulators



The Premier Industries 2701 Series regulator is a fixed flow, piston sensed regulator, in a compact economical package; a reliable and cost-effective solution for specialty gas, and transportable cylinder applications. Premier 2701 Series regulators are available with preset flow settings from 0.1 LPM to 4.0 LPM; they are offered in a variety of materials and configurations for smooth integration into your application. Flows are set using a unique integrated flow adjustment valve prior to shipment. Dependent upon the configuration of the regulator, Premier 2701 Series regulators are designed to handle inlet pressures up to 3000 PSIG (206.84 bar).

FEATURES

- Compact size, economical pricing
- Factory preset flow settings from 0.1 liters/min to 4.0 liters/min
- Optional integrated shut-off valve
- 3000 PSIG (206.84 bar) max inlet (dependent upon configuration)
- Multiple porting options
- Suited for calibration gases & industrial hygiene monitors
- Models are available for both corrosive and non-corrosive service in a variety of materials
- Machined bar stock body, and bonnet eliminates porosity found in castings

SOME APPLICATIONS WILL REQUIRE A CUSTOM SOLUTION.
CONTACT PREMIER INDUSTRIES TO REQUEST A MODIFICATION
OR A CUSTOM DESIGN.

SPECIFICATIONS

- **MAXIMUM INLET PRESSURE:**
 - 3000 PSIG (206.84 bar), 1/4" FNPT inlet
 - 1500 PSIG (103.42 bar), C10 (5/8-18 unf) inlet
 - 500 PSIG (34.47 bar), CGA 600 inlet
- **STANDARD PRESET CONTROL PRESSURE:**
 - 40-80 psig (2.76 - 5.52 bar)
- **PRESET FLOW SETTING:**
 - Preset to customer specifications from 0.1-4.0 SLPM
(at factory or inventory location)
- **FLOW (Cv):** 0.005 max
- **WEIGHT:** 0.35 lb./0.16 kg
(SAE 360 brass, C10 w/ rotary shut-off)

MATERIALS OF CONSTRUCTION

- **PROCESS WETTED MATERIALS:**
 - SAE 360 Brass
 - 6061-T6 Aluminum, Clear Anodized

(Other materials available upon request ie:
SAE 360 Brass/Bright Dipped, 316 Stainless Steel,
303 Stainless Steel)
- **O-RING MATERIAL OPTIONS:**
 - Buna-N
 - Viton-A®
 - EPDM
 - Neoprene
 - Other elastomers available upon request
- **VALVE SEAT:** PTFE

PORTING

- **INLET PORTING:**
 - C10 (5/8-18 UNF)
 - 1/4" FNPT
 - 1/8" FNPT
 - Compatible CGA connections available upon request:
– CGA 165, 180, 320, 510, 580, 600, etc.
- **OUTLET PORTING:**
 - 3/16" Hose Barb
 - 1/4" Hose Barb
 - 1/4", 1/8" FNPT
 - 1/4", 1/8" MNPT

OPTIONS

- Gauges, gauge internals equivalent to process wetted materials
- Integrated shut-off valve
- Private label

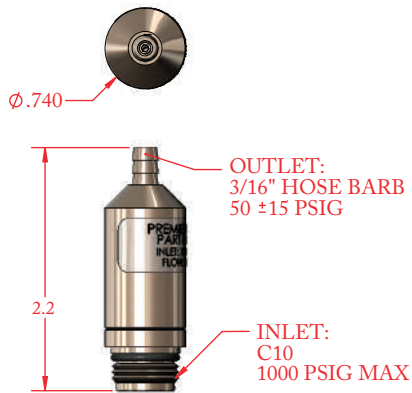
Viton® is a registered trademark of E.I. duPont de Nemours and Company

Contact factory for material certifications. Fees may apply.

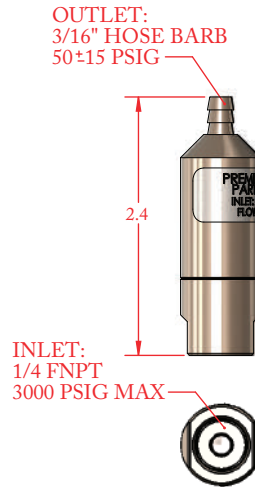
2701 SERIES

Compact, Economical, Fixed Flow, Piston Sensed
Pressure Reducing Regulators

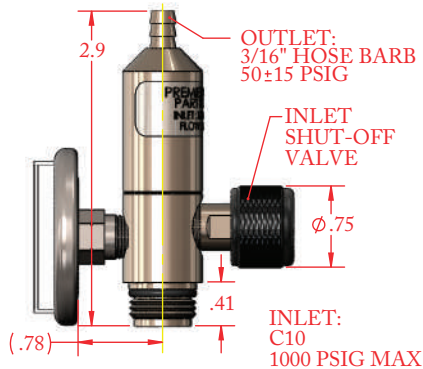
P/N: 50-12641-21XX
with C10 inlet



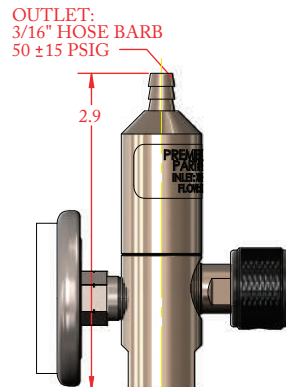
P/N: 50-12641-11XX
with 1/4" FNPT inlet



P/N: 50-12640-21XX
with C10 inlet



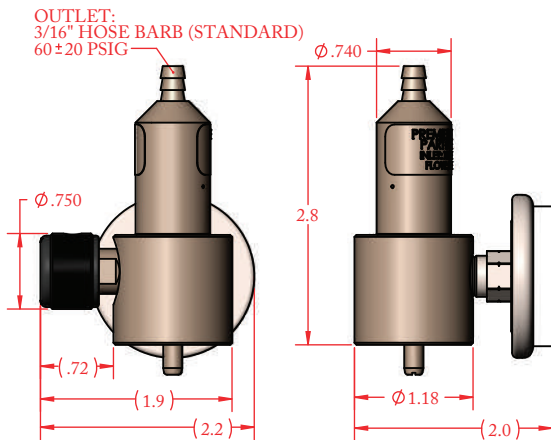
P/N: 50-12640-11XX
with 1/4" FNPT inlet



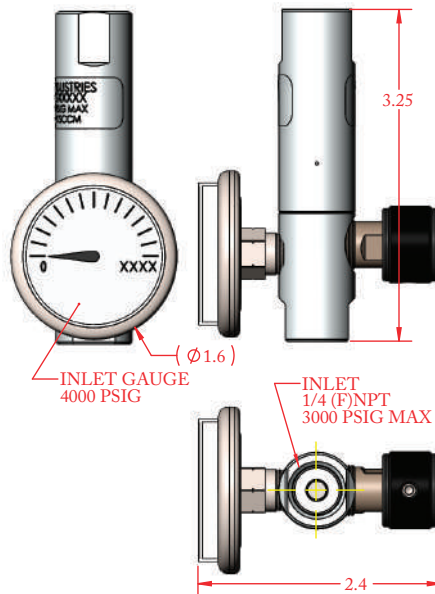
2701 SERIES

Compact, Economical, Fixed Flow, Piston Sensed
Pressure Reducing Regulators

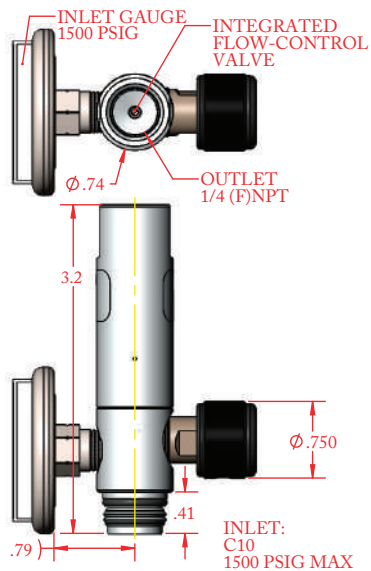
P/N: 50-12727
with CGA 600 inlet



P/N: 50-13188-12XX
with 1/4\"/>



P/N: 50-13188-22XX
with C10 inlet
and 1/4\"/>



2701 SERIES

Compact, Economical, Fixed Flow, Piston Sensed
Pressure Reducing Regulators

PART #	-	1	2	3	4	-	5 . 6
50-12641	-					-	

**C10 OR FNPT INLET, HOSE BARB OUTLET,
NO GAUGE OR SHUT-OFF VALVE**

1	REGULATOR INLET
1	1/4" FNPT <i>(3000 psig max / 206.84 bar max)</i>
2	C10 <i>(1500 psig max / 103.42 bar max)</i>
2	REGULATOR OUTLET
1	3/16" hose barb
<i>Other outlets available upon request (see page 2)</i>	
3	PROCESS WETTED MATERIALS
1	SAE 360 Brass, Nickel Plated
<i>Other materials available upon request</i>	

4	O-RING MATERIALS
1	BUNA-N
2	VITON-A®
3	EPDM
4	NEOPRENE
<i>Other elastomers available upon request</i>	
5 . 6	PRESET FLOW SETTING
Specify flow setting in slpm. nitrogen gas (0.1-4.0 slpm range, 0.1 slpm resolution)	

Viton-A® is a registered trademark of E.I. du Pont de Nemours and Company

*Contact factory for material certifications.
Fees may apply.*

2701 SERIES

Compact, Economical, Fixed Flow, Piston Sensed
Pressure Reducing Regulators

PART #	-	1	2	3	4	-	5 . 6
50-12640	-					-	

**C10 OR FNPT INLET, HOSE BARB OUTLET,
INTEGRATED GAUGE AND SHUT OFF VALVE**

1	REGULATOR INLET
1	1/4" FNPT <i>(3000 psig max / 206.84 bar max)</i>
2	C10 <i>(1500 psig max / 103.42 bar max)</i>
2	REGULATOR OUTLET
1	3/16" hose barb
<i>Other outlets available upon request (see page 2)</i>	
3	PROCESS WETTED MATERIALS
1	SAE 360 Brass, Nickel Plated
2	6061-T6 Aluminum, Clear Anodized

4	O-RING MATERIALS
1	BUNA-N
2	VITON-A®
3	EPDM
4	NEOPRENE
<i>Other elastomers available upon request</i>	
5 . 6	PRESET FLOW SETTING
Specify flow setting in slpm. nitrogen gas (0.1-4.0 slpm range, 0.1 slpm resolution)	

Viton-A® is a registered trademark of E.I.duPont de Nemours and Company

*Contact factory for material certifications.
Fees may apply.*

2701 SERIES

Compact, Economical, Fixed Flow, Piston Sensed
Pressure Reducing Regulators

PART #	-	1	2	3	-	4 . 5
50-12727	-				-	

**CGA 600 INLET, HOSE BARB OUTLET,
INTEGRATED GAUGE AND SHUT-OFF VALVE**

1	REGULATOR OUTLET
1	3/16" hose barb
<i>Other outlets available upon request (see page 2)</i>	
2	PROCESS WETTED MATERIALS
1	SAE 360 Brass, Nickel Plated
<i>Other materials available upon request</i>	

3	O-RING MATERIALS
1	BUNA-N
2	VITON-A®
3	EPDM
4	NEOPRENE
<i>Other elastomers available upon request</i>	
4 . 5	PRESET FLOW SETTING
Specify flow setting in slpm. nitrogen gas (0.1-4.0 slpm range, 0.1 slpm resolution)	

Viton-A® is a registered trademark of E.I. duPont de Nemours and Company

*Contact factory for material certifications.
Fees may apply.*

2701 SERIES

Compact, Economical, Fixed Flow, Piston Sensed
Pressure Reducing Regulators

PART #	-	1	2	3	4	-	5 . 6
50-13188	-					-	

**C10 OR FNPT INLET, FNPT OUTLET,
INTEGRATED GAUGE AND SHUT OFF VALVE**

1	REGULATOR INLET
1	1/4" FNPT <i>(3000 psig max / 206.84 bar max)</i>
2	C10 <i>(1500 psig max / 103.42 bar max)</i>
2	REGULATOR OUTLET
2	1/4" FNPT
3	BODY/BONNET MATERIALS
1	SAE 360 Brass, Nickel Plated
2	6061-T6 Aluminum, Clear Anodized

4	O-RING MATERIALS
1	BUNA-N
2	VITON-A®
3	EPDM
4	NEOPRENE
<i>Other elastomers available upon request</i>	
5 . 6	PRESET FLOW SETTING
Specify flow setting in slpm nitrogen gas (0.1-4.0 slpm range, 0.1 slpm resolution)	

Viton® is a registered trademark of E.I. duPont de Nemours and Company

*Contact factory for material certifications.
Fees may apply.*