

4050 SERIES

Two Stage, High Sensitivity
Pressure Reducing Regulators



Premier 4050 Series regulators are two stage, high sensitivity, pressure reducing regulators, rated for inlet pressures up to 3000 psig (*206.8 bar*), and a max flow of 15 SLPM. Premier 4050 Series regulators can be fitted with an optional, capturable relief valve.

FEATURES

- Max flow: 15 slpm
- Adjustable to within 0.2 inches H₂O / 0.007 psig of target pressure on the 0-2 psig control pressure config.
- Optional panel mounting nuts
- Machined bar stock body eliminates porosity found in castings

SOME APPLICATIONS WILL REQUIRE A CUSTOM SOLUTION.
CONTACT PREMIER INDUSTRIES TO REQUEST A MODIFICATION
OR A CUSTOM DESIGN.

SPECIFICATIONS

- **MAXIMUM INLET PRESSURE:**
 - 3000 PSIG (206.8 bar)
- **CONTROL PRESSURE RANGES:**
 - 0-2 PSIG (0 - 0.14 bar)
 - 0-10 PSIG (0 - 0.69 bar)
 - 0-30 PSIG (0 - 2.07 bar)
- **MAX FLOW:** 15 SLPM (AIR)

MATERIALS OF CONSTRUCTION

- **WETTED MATERIALS:**
 - 6061-T6 Aluminum/Clear Anodize, SAE 360 Brass, and Stainless Steel
- **SEAL MATERIALS:**
 - Buna-N
 - Viton-A®
- **NON-WETTED MATERIALS:**
 - 6061-T6 Aluminum/Clear Anodize, spring steel, brass
- **PANEL MOUNTING NUTS (OPTIONAL):**
 - 6061-T6 Aluminum/Clear Anodize

PORTING

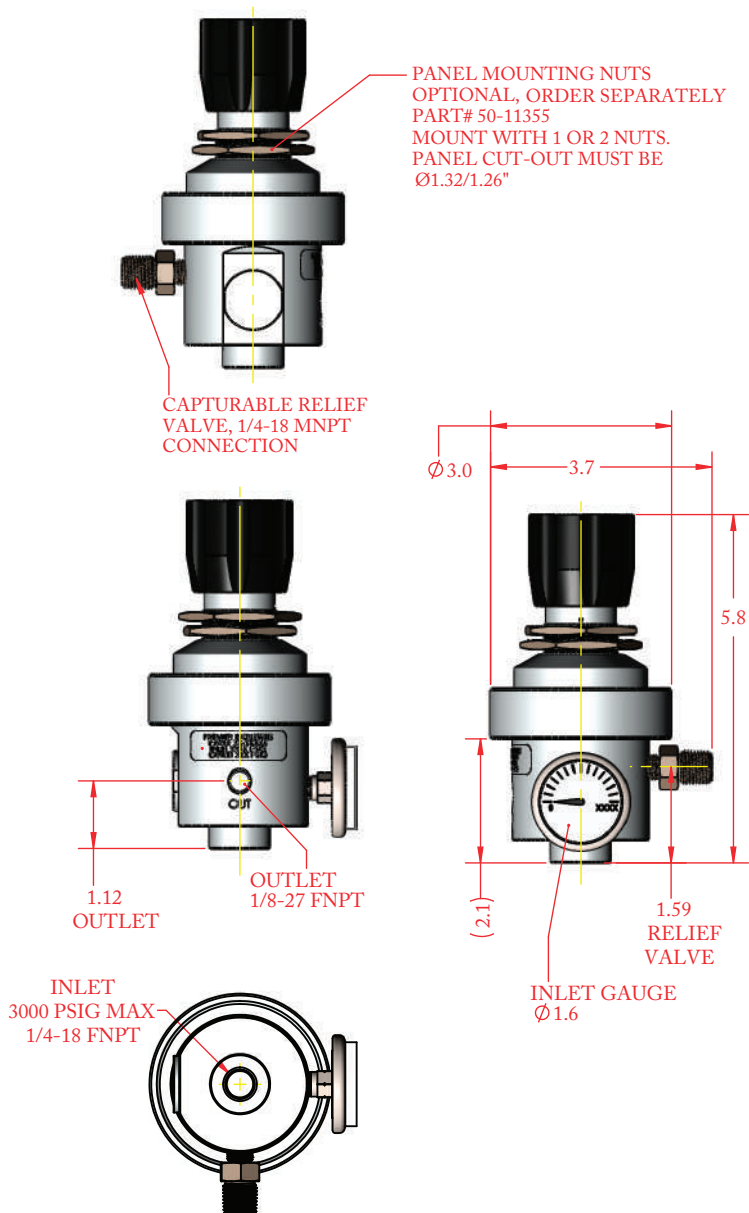
- **STANDARD INLET:**
 - 1/4-18 FNPT
 - *Contact factory for other options*
- **STANDARD OUTLET:**
 - 1/8-27 FNPT
 - *Contact factory for other options*

OPTIONAL ITEMS

- Gauges (*optional*)
- Private label
- Capturable relief valve (1/4' MNPT connection)
- Panel mounting nuts (P/N: 50-11355)
- CGA adapter for cylinder connections

Viton-A® is a registered trademark of E.I. duPont de Nemours and Company

PART NUMBER: 50-12805
with standard porting



PART #	-	1	2	-	3	4	-	5	6	-	7
50-12805	-			-			-			-	

1	WETTED MATERIALS
1	6061-T6 Aluminum/Clear Anodize, SAE 360 Brass, and stainless steel
2	SEAL MATERIALS
1	BUNA-N
2	VITON-A®
3	GAUGES
1	INLET GAUGE (3000 PSIG)
2	INLET GAUGE PORT PLUGGED
4	RELIEF VALVE
0	NO RELIEF VALVE
1	INCLUDE RELIEF VALVE

5	INLET ADAPTER
0	None (1/4-18 FNPT)
6	OUTLET ADAPTER
0	None (1/8-27 FNPT)
7	OUTLET PRESSURE (RELIEF PRESSURE)
1	0-2 PSIG (15 PSIG)
2	0-10 PSIG (15 PSIG)
3	0-30 PSIG (45 PSIG)

Viton-A® is a registered trademark of E.I.duPont de Nemours and Company

Contact factory for material certifications. Fees may apply.