

4700 SERIES

Two Stage, Piston Sensed, Fixed Flow
Pressure Reducing Regulators



The Premier 4700 Series regulators are: compact, two stage, piston sensed, fixed pressure & flow, pressure reducing regulators. The compact, two-stage design, allows for precise and stable delivery pressures, even as the supply pressure decreases. Premier 4700 Series regulators are designed to control pressures up to 3000 PSIG (206.84 bar) (dependent upon configuration).

Commonly used for:

- Calibration gases
- Industrial hygiene monitors
- Research and development labs
- Regulating a broad range of media compatible with materials of construction.

FEATURES

- Precise, stable delivery pressure and flow, even as supply pressure decreases
- Compact size (1.2 in. diameter x 4.6 in. high)
- Factory adjustable preset (fixed) flow settings
- Numerous porting configurations available
- 40 micron sintered 316 stainless steel integral inlet filter
- Models are available for both corrosive and non-corrosive service.
- Economical pricing
- Machined bar stock body, bonnet and pistons eliminates porosity found in castings
- Optional yoke style design

SOME APPLICATIONS WILL REQUIRE A CUSTOM SOLUTION.
CONTACT PREMIER INDUSTRIES TO REQUEST A MODIFICATION
OR A CUSTOM DESIGN.

4700 SERIES

Two Stage, Piston Sensed, Fixed Flow
Pressure Reducing Regulators

SPECIFICATIONS

- **MAXIMUM INLET PRESSURE:**
 - 3000 PSIG (206.84 bar)
- **CONSTANT FLOW PRESET:**
 - Per customer requirements
- **LEAK RATE:** Bubble Tight
- **INLET SHUT OFF VALVE:** None (*shown*)
 - Rotary/Multi-turn optional
 - Bayonet/Toggle optional

OPTIONS

- Inlet and/or Outlet Gauges
- Anodized Colors for Aluminum Bodies and Bonnets
- Private Label
- CGA inlet connection
- Yokestyle design: *P/N 50-12523*

MATERIALS OF CONSTRUCTION

- **BODY & BONNET:**
 - SAE 360 Brass
 - SAE 360 Brass, Nickel Plated
 - 303 Stainless
 - 6061-T6 Aluminum, Clear Anodized
- **PISTON:**
 - SAE 360 Brass
 - 303 Stainless Steel
- **PISTON SEALS:**
 - Viton®
 - Other elastomers available
- **VALVE SEAT:** PTFE
- **INLET FILTER:**
 - 40 micron sintered 316 Stainless Steel

PORTING

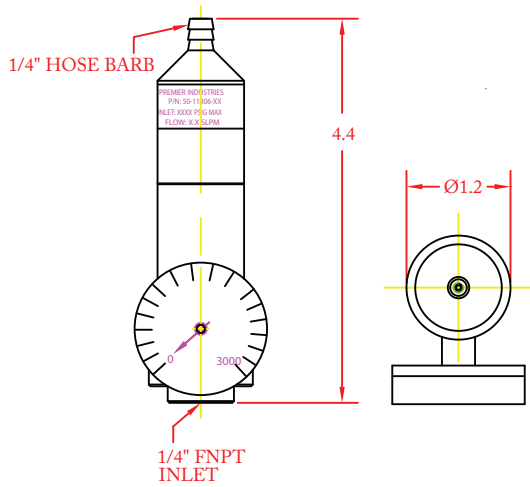
- **INLET PORTING:**
 - C10 (5/8-18 UNF)
 - 1/8" FNPT
 - 1/8" MNPT,
 - 1/4" FNPT
 - 1/4" MNPT
- **OUTLET PORTING:**
 - 1/4" Hose barb
 - 3/16" Hose Barb
 - 1/8" Hose barb
 - 1/8" FNPT
 - 1/8" MNPT
 - 1/4" FNPT
 - 1/4" MNPT

*Viton® is a registered trademark of E.I. duPont de Nemours and Company
Contact factory for material certifications. Fees may apply.*

4700 SERIES

Two Stage, Piston Sensed, Fixed Flow
Pressure Reducing Regulators

PART NUMBER: 50-11806



PART NUMBER: 50-12523

