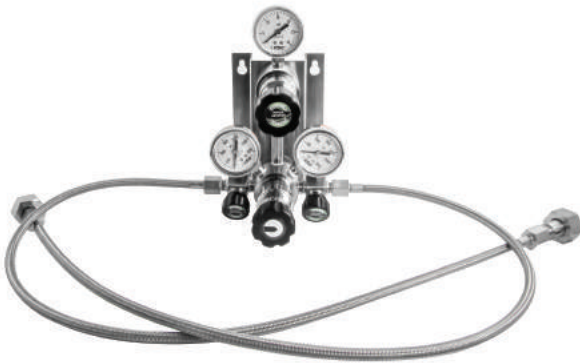


# CS2500 SERIES

Changeover Panel  
With Line Regulator



The Premier CS2500 Series changeover system combines one Premier changeover regulator, and one Premier 2500 Series line regulator into a compact, wall mountable system. The Premier CS2500 Series changeover system supplies a continuous flow during cylinder changeover. When the primary gas source is consumed, the changeover regulator automatically draws from a secondary supply, thereby preventing outages, fluctuations in pressure, and wasted gas. The hand knob can be turned after the depletion of one gas source (arrow pointing towards the line currently in service) allowing you to safely replenish the depleted source not in service. The built in line regulator ensures a stable delivery pressure. The CS2500 features Cv 0.08 and a max inlet of 3000 PSIG (206.84 bar) (*dependent upon configuration*).

## FEATURES

- 1 Premier changeover regulator
- 1 Premier 2500 series line regulator
- 2 Check valves in stainless steel or Brass
- 1 Stainless Steel mounting Bracket with 4 holes for 1/4" screws
- Stainless steel diaphragms minimize inboard diffusion
- Optional excess flow prevention valves
- Optional integrated outlet shut off valve
- Optional critical alert gauges

**SOME APPLICATIONS WILL REQUIRE A CUSTOM SOLUTION.**  
CONTACT PREMIER INDUSTRIES TO REQUEST A MODIFICATION  
OR A CUSTOM DESIGN.

## STANDARD COMPONENTS

- 1 Premier changeover regulator
- 1 Premier 2500 Series line regulator
- 1 Stainless Steel mounting Bracket with 4 holes for 1/4" screws
- 2 Check valves in Stainless Steel or Brass

## SPECIFICATIONS

- **MAXIMUM INLET PRESSURE:**
  - 3000 PSIG  
*(dependent upon configuration)*
- **STANDARD PRESET CONTROL PRESSURE:**
  - 0-10 PSIG *(0-0.69 bar)*
  - 0-25 PSIG *(0-1.72 bar)*
  - 0-50 PSIG *(0-3.45 bar)*
  - 0-100 PSIG *(0-6.89 bar)*
  - 0-250 PSIG *(0-17.24 bar)*
  - 0-500 PSIG *(0-34.47 bar)*

## MATERIALS OF CONSTRUCTION

- **BODY:**
  - SAE 360 Brass
  - 316 Stainless Steel
  - 6061-T6 Aluminum, Clear Anodized
  - SAE 360 Brass, Nickel Plated
- **BONNET:**
  - SAE 360 Brass
- **DIAPHRAGMS:** 316 Stainless Steel
- **DIAPHRAGM SEALS:** PTFE
- **MAIN VALVE SEATS:** PTFE
- **MOUNTING BRACKET:**
  - 304 Stainless Steel
- **CHECK VALVE:**
  - Stainless Steel *(Standard)*
  - SAE 360 Brass
- **(Optional) HOSE:**
  - Stainless steel braided PTFE

## PORTING

- **INLET PORTING:** 1/4-18 FNPT
- **OUTLET PORTING:** 1/4-18 FNPT
- **CGA CYLINDER CONNECTIONS AVAILABLE:**
  - CGA350
  - CGA 590
  - CGA 660
  - CGA 705
  - CGA 330

## OPTIONS

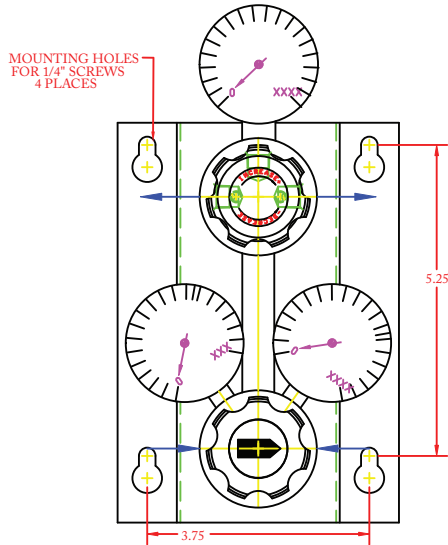
- Excess flow prevention valves
- Hoses
- CGA connections
- Gauges / critical alert gauges
- Integrated outlet shut off valve
- Inlet shut off valves (stainless steel w/ Viton® seals)

*Viton® are registered trademarks of E.I. duPont de Nemours and Company.*

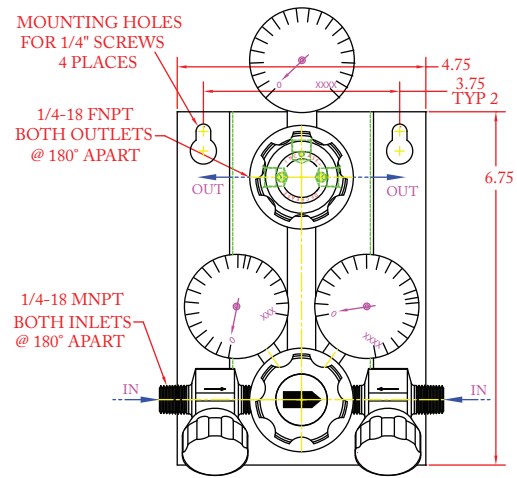
# CS2500 SERIES

Changeover Panel  
With Line Regulator

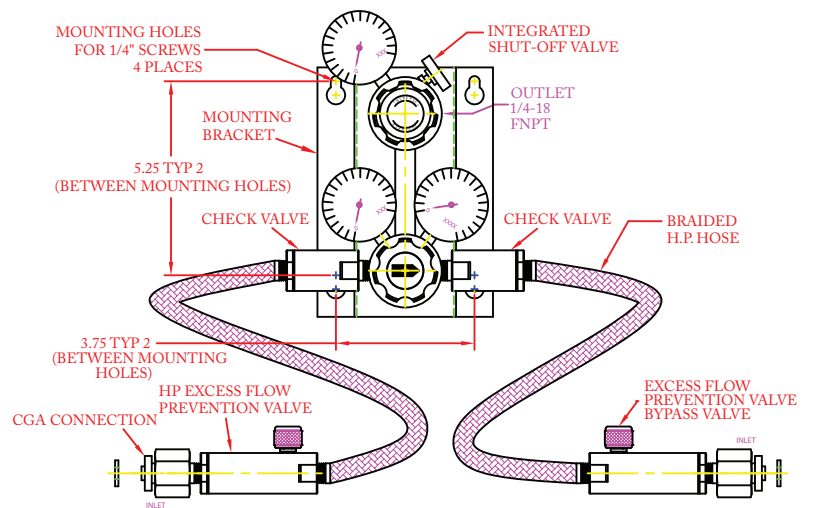
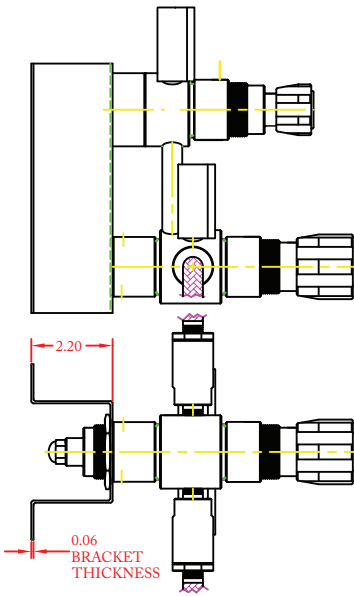
**PART NUMBER: 50-11546**



**PART NUMBER: 50-11800**



**PART NUMBER: 50-12013**



PART #	-	1	2	3	4
50-11546	-				

1	BODY & BONNET MATERIALS
2	316 Stainless Steel Body <i>Cleaned per spec #515</i> Brass Nickel Plated Bonnet
3	Aluminum Clear Anodized Body and Bonnet
5	SAE 360 Brass Nickel Plated Body and Bonnet
8	SAE 360 Brass Body and Bonnet
2	OUTLET PRESSURE
1	0-25 psig <i>(0-103.4 bar)</i>
2	0-50 psig <i>(0-172.4 bar)</i>
3	0-100 psig <i>(0-413.7 bar)</i>
4	0-250 psig <i>(0-689.5 bar)</i> <i>(stainless steel only)</i>
5	0-500 psig <i>(0-206.8 bar)</i>

3	GAUGES
C	2" diameter inlet and outlet stainless steel wetted gauges
F	2" diameter inlet and outlet brass wetted gauges
4	MAIN VALVE Cv <i>(Optional)</i>
BLANK	Cv 0.08 main valve <i>(standard)</i>
Z	Cv 0.2 main valve

*Contact factory for material certifications.  
Fees may apply.*