

CR2500 SERIES

Changeover Regulator



Diaphragm sensed Premier CR2500 Series changeover regulators provide a compact system which supplies a continuous flow of gas, preventing unnecessary outages, and wasted gas. When the primary gas source is consumed, the changeover regulator automatically draws from a secondary supply. The hand knob can be turned after the depletion of one gas source (arrow pointing towards the line currently in service) allowing you to safely replenish the depleted source not in service. The CR2500 Series is fitted with a stainless steel diaphragm, minimizing inboard diffusion. The CR2500 Series has a max inlet of 3000 PSIG (*206.84 bar*), 5 outlet pressure ranges, and Cv 0.08 or 0.2.

FEATURES

- Stainless steel diaphragm minimizes inboard diffusion of air into regulator
- 3000 psig (*206.84 bar*) max inlet
- Four outlet pressure ranges
- Optional hand knob styles available
- Very competitive pricing
- Compact design (body diameter of 1.5 in. x 5.5 in. long)
- Machined bar stock body eliminates porosity

SOME APPLICATIONS WILL REQUIRE A CUSTOM SOLUTION.
CONTACT PREMIER INDUSTRIES TO REQUEST A MODIFICATION
OR A CUSTOM DESIGN.

SPECIFICATIONS

- **MAXIMUM INLET PRESSURE:**
 - 3000 PSIG (*206.84 bar*)
- **OUTLET PRESSURE RANGES:**
 - 0-25 PSIG (*0-1.72 bar*)
 - 0-50 PSIG (*0-3.45 bar*)
 - 0-100 PSIG (*0-6.89 bar*)
 - 0-250 PSIG (*0-17.24 bar*)
 - 0-500 PSIG (*0-34.47 bar*)
- **FLOW (Cv):** 0.08 (*standard*) or 0.2

MATERIALS OF CONSTRUCTION

- **BODY & BONNET OPTIONS:**
 - SAE 360 brass (*body and bonnet*)
 - SAE 360 brass, nickel plated (*body and bonnet*)
 - 316 stainless steel (*body*)
SAE 360 brass, nickel plated (*bonnet*)
 - 6061-T6 Aluminum, Clear Anodized (*body and bonnet*)
- **DIAPHRAGM:** 316 Stainless Steel
- **DIAPHRAGM SEAL:** PTFE
- **MAIN VALVE SEAT:** PTFE

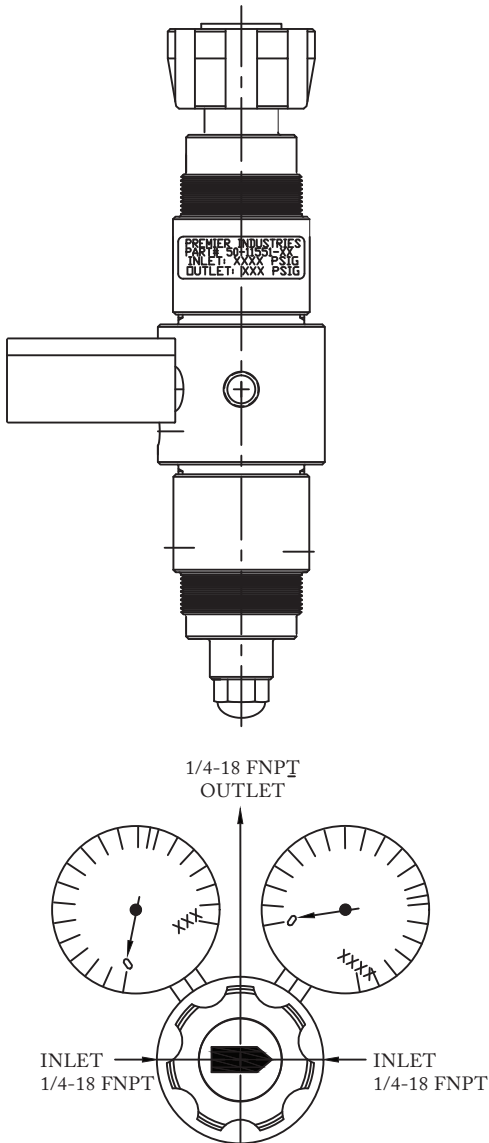
PORTING

- **INLET PORTING:**
 - 1/4-18" FNPT
- **OUTLET PORTING:**
 - 1/4-18" FNPT

OPTIONS

- Panel mounting nuts
- Gauges
- Private label

PART NUMBER: 50-11551



PART #	-	1	2	3	4
50-11551	-				

1	BODY & BONNET MATERIAL
2	316 stainless steel, cleaned per spec #515 (<i>body</i>) SAE 360 brass, nickel plated (<i>bonnet</i>)
3	6061-T6 aluminum, clear anodized (<i>body</i>) 6061-T6 aluminum, clear anodized (<i>bonnet</i>)
5	SAE 360 brass, nickel plated (<i>body</i>) SAE 360 brass, nickel plated (<i>bonnet</i>)
8	SAE 360 brass (<i>body</i>) SAE 360 brass (<i>bonnet</i>)
2	OUTLET PRESSURE
1	0-25 PSIG (<i>0-1.72 bar</i>)
2	0-50 PSIG (<i>0-3.45 bar</i>)
3	0-100 PSIG (<i>0-6.89 bar</i>)
4	0-250 PSIG (<i>0-17.24 bar</i>)
5	0-500 PSIG (<i>0-34.47 bar</i>)

3	GAUGES
C	2" diameter inlet, stainless steel wetted gauges
F	2" diameter inlet, brass wetted gauges
K	2" diameter inlet, brass wetted/chrome plated gauges
4	MAIN VALVE Cv
blank	Cv 0.08 main valve (<i>standard</i>)
Z	Cv 0.2 main valve

Contact factory for material certifications. Fees may apply.