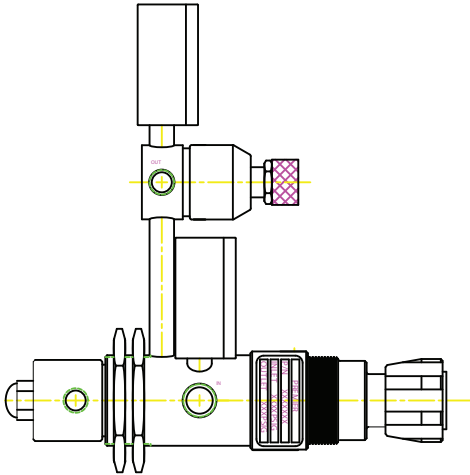


CS2300 SERIES

Changeover Panel
With Line Regulator



The Premier CS2300 Series is an integrated changeover system which combines our changeover regulator and line regulator into a compact, complete, wall mountable system for smooth integration into your desired application. The Premier CS2300 changeover systems are designed to provide a continuous flow of gas, preventing outages, fluctuations in pressure, and wasted gas. When the primary gas source is consumed, the changeover regulator automatically draws from a secondary supply, whereafter the handknob should be turned to replenish the diminished supply (arrow pointing toward the line in service). The built in line regulator ensures a stable delivery pressure. The CS2500 features Cv 0.08 and a max inlet of 3000 PSIG (206.84 bar) (dependent upon configuration).

FEATURES

- Premier changeover regulator
- Premier 2300 Series line regulator
- Max inlet 3000 PSIG (206.84 bar)
- Four max delivery pressures from 25 to 150 PSIG (1.72 to 10.34 bar)
- Optional Stainless steel braided teflon hose
- Optional Stainless Steel mounting Bracket with 4 holes for 1/4" screws
- Optional excess flow prevention valves
- Optional critical alert gauges

SOME APPLICATIONS WILL REQUIRE A CUSTOM SOLUTION.
CONTACT PREMIER INDUSTRIES TO REQUEST A MODIFICATION
OR A CUSTOM DESIGN.

STANDARD COMPONENTS

- 1 - Premier changeover regulator
- 1 - Premier 2300 Series, *line regulator*
- 2 - Panel Mounting Nuts

SPECIFICATIONS

- **MAXIMUM INLET PRESSURE:**
 - 3000 PSIG (*dependent upon configuration*)
- **LINE REGULATOR CONTROL PRESSURE SETTINGS:**
 - 0-25 PSIG (*0-1.72 bar*)
 - 0-50 PSIG (*0-3.45 bar*)
 - 0-100 PSIG (*0-6.89 bar*)
 - 0-150 PSIG (*0-10.34 bar*)
- **FLOW CAPACITY (Cv):** .08

MATERIALS OF CONSTRUCTION

- **BODY:**
 - SAE 360 Brass
 - 316 Stainless Steel
 - 6061-T6 Aluminum/Clear Anodized
 - SAE 360 Brass/Nickel Plated
- **BONNET:**
 - SAE 360 Brass
 - SAE 360 Brass/Nickel Plated
 - 6061-T6 Aluminum/Clear Anodized
- **CHANGEOVER REGULATOR DIAPHRAGM:**
 - 316 Stainless Steel
- **LINE REGULATOR DIAPHRAGM:**
 - Neoprene
- **CHANGEOVER REGULATOR MAIN VALVE SEAT:**
 - PTFE
- **LINE REGULATOR MAIN VALVE SEAT:**
 - Viton®
- **GAUGES (Optional)**
 - 2" diameter inlet & outlet gauges, stainless steel wetted gauges
 - 2" diameter inlet & outlet gauges, chrome plated case, brass wetted gauges

PORTING

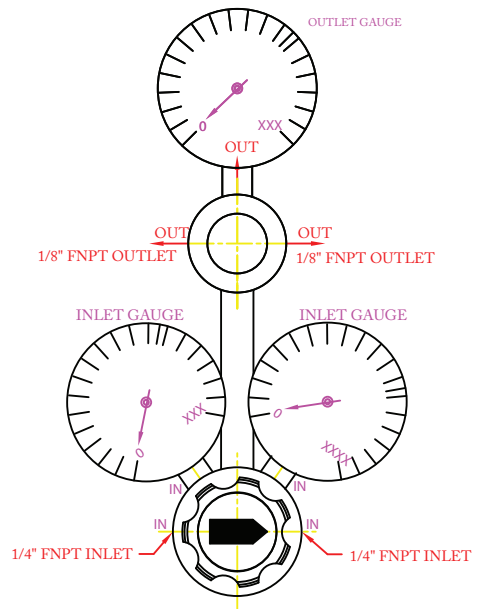
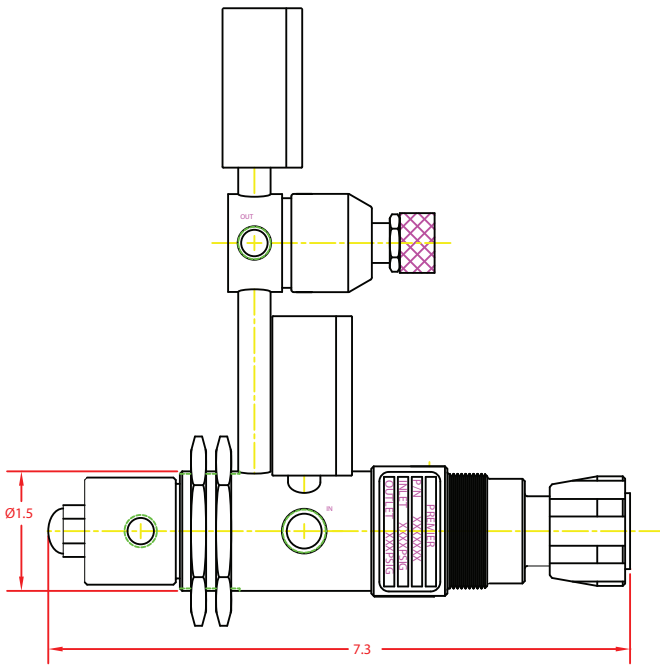
- **INLET PORTING:**
 - 1/4-18 FNPT (*2 places*)
- **OUTLET PORTING:**
 - 1/8-27 FNPT

OPTIONS

- Excess flow prevention valves
- CGA connections
- Stainless steel braided teflon hose
- Stainless steel mounting bracket with 4 holes for 1/4" screws
- Check valves in stainless steel or brass
- Gauges / critical alert gauges

Viton® is a registered trademark of E.I. duPont de Nemours and Company

PART NUMBER: 50-11491



PART #	-	1	2	3
50-11491	-			

1	BODY MATERIAL
1	SAE 360 Brass
2	316 Stainless Steel
3	6061-T6 Aluminum, <i>Clear anodized</i>
4	SAE 360 Brass, <i>Nickel Plated</i>
2	OUTLET PRESSURE
1	0-25 PSIG (<i>0-1.72 bar</i>)
2	0-50 PSIG (<i>0-3.45 bar</i>)
3	0-100 PSIG (<i>0-6.89 bar</i>)
4	0-150 PSIG (<i>0-10.34 bar</i>)
3	FACTORY SET RELIEF PRESSURE IN PSIG / 10
C	2" diameter inlet & outlet stainless steel wetted gauges
J	2" diameter inlet & outlet chrome plated, brass wetted gauges

Contact factory for material certifications. Fees may apply.