

PIERCING ADAPTERS

For Compressed Gas Cartridges



Premier piercing adapters are designed for use with a wide range of Premier Industries regulators; these adapters thread into a 1/4" or 1/8" FNPT port to enable use with threaded and unthreaded disposable gas cartridges. The threaded adapter is available in 4 standard sizes for compatibility with a variety of threaded disposable gas cartridges. The unthreaded cartridge adapter features a black anodized cartridge cup to house the unthreaded cartridge. Each adapter features a stainless steel piercing tip, and standard 1/4" or 1/8" MPNT outlet connection.

FEATURES

- Stainless steel piercing tip
- 1/4" or 1/8" MNPT outlet connection
- 4 standard threaded cartridge adapter sizes
- Stainless steel body
- Polyurethane cartridge seal
- Optional cartridge cup

SOME APPLICATIONS WILL REQUIRE A CUSTOM SOLUTION.
CONTACT PREMIER INDUSTRIES TO REQUEST A MODIFICATION
OR A CUSTOM DESIGN.

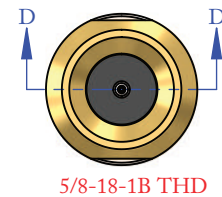
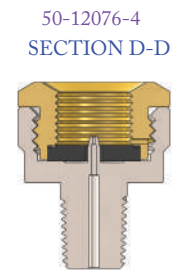
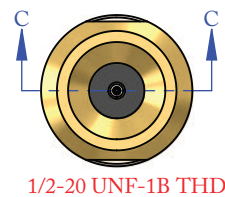
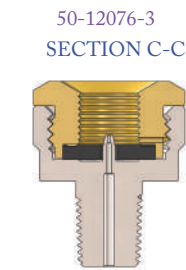
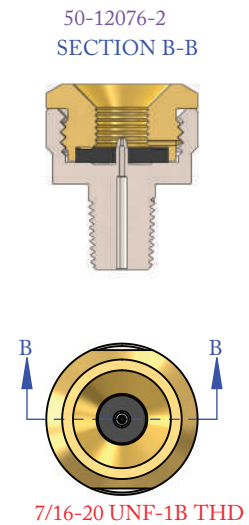
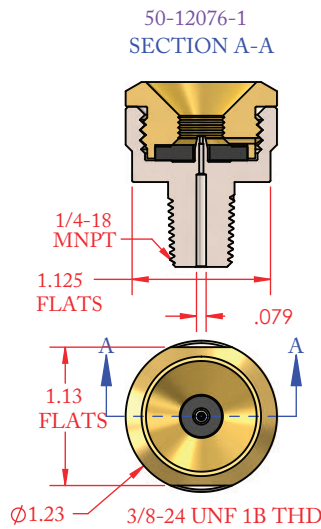
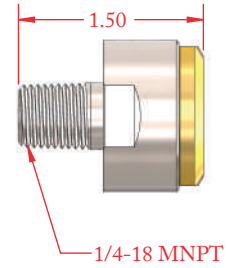
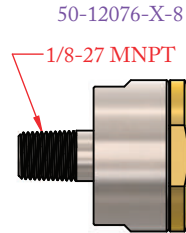
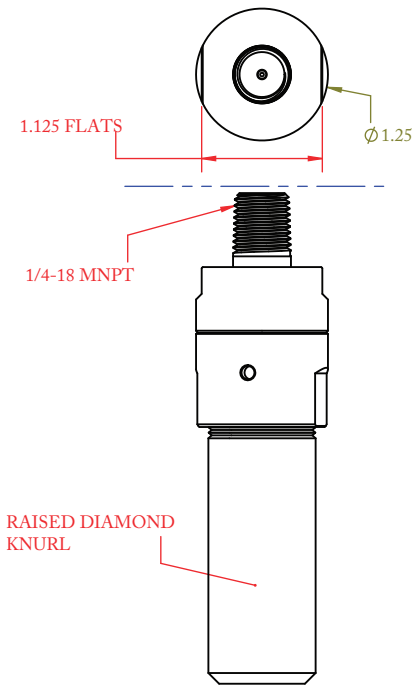
MATERIALS OF CONSTRUCTION

- **BODY:**
 - 303 Stainless Steel
- **CARTRIDGE ADAPTER** (*optional*):
 - SAE 360 Brass
- **CARTRIDGE SEAL:**
 - Polyurethane
- **PIERCING TIP:**
 - 303 Stainless Steel
- **CARTRIDGE CUP** (*optional*):
 - 6061-T6 Aluminum, Black Anodized

PORTING/ACCESSORIES

- **CARTRIDGE CONNECTION** (*optional*):
 - 3/8-24 UNF-1B
 - 7/16-20 UNF-1B
 - 1/2-20 UNF-1B
 - 5/8-18 UNF-1B
- **CARTRIDGE CUP ADAPTER** (*optional*):
 - 16g CO₂ Cartridges
- **OUTLET:**
 - 1/4" MNPT
 - 1/8" MNPT

PART NUMBER: 50-12080
cartridge cup adapter



PART #	-	1	-	2
50-12076	-		-	

THREADED PIERCING ADAPTERS

1	CARTRIDGE CONNECTION
1	3/8-24 UNF-1B
2	7/16-20 UNF-1B
3	1/2-20 UNF-1B
4	5/8-18 UNF-1B
2	BODY PORTING
Blank	1/4" MNPT
8	1/8" MNPT

PART #	-	1	2
50-12080	-		

UNTHREADED PIERCING ADAPTERS

1	CUP ADAPTER
1	16g CO ₂ Cartridges
2	OUTLET PORTING
1	1/4" MNPT
8	1/8" MNPT