

6000FL SERIES

Flange Mounted, Hydraulic, High Pressure
Pressure Reducing Regulators



Premier 6000FL Series pressure reducing regulators are flange mounted, high pressure, hydraulic, variable pressure & delivery regulators, rated for inlet pressures up to 3000 psig (206.82 bar) and Cv 0.06. Premier 6000FL Series regulators feature captured venting to safely pipe away potentially toxic or corrosive media. Complete with ANSI B16.5 class 1500 forged flanges with a raised face and welded neck.

FEATURES

- Raised face, welded neck flange connections
- 1" nominal pipe size
- Captured venting standard
- Cv 0.06
- Max inlet: 3000 psig / 206.82 bar
- ANSI B16.5 class 1500 forged flange
- Black anodized aluminum knob
- Machined bar stock body, bonnet and piston eliminates porosity found in castings

SOME APPLICATIONS WILL REQUIRE A CUSTOM SOLUTION.
CONTACT PREMIER INDUSTRIES TO REQUEST A MODIFICATION
OR A CUSTOM DESIGN.

6000FL SERIES

Flange Mounted, Hydraulic, High Pressure
Pressure Reducing Regulators

SPECIFICATIONS

- **MAXIMUM INLET PRESSURE:**
 - 3000 PSIG (206.84 Bar)
- **CONTROL PRESSURE RANGES:**
 - 5-500 PSIG (0.35-34.5 Bar)
 - 5-800 PSIG (0.35-55.2 Bar)
 - 10-1500 PSIG (0.69-103.4 Bar)
 - 15-2500 PSIG (1.0-172.4 Bar)
- **FLOW CAPACITY**
 - MAIN VALVE Cv: 0.06
 - VENT VALVE Cv: 0.06
- **OPERATING TEMPERATURE:****
 - -15°F/-26°C to 165°F/74°C (BUNA-N)
 - -4°F/-20°C to 165°F/74°C (Viton®)
 - -65°F/-54°C to 165°F/74°C (EPDM)
 - 0°F/-17°C to 165°F/74°C (KALREZ®)
 - 15°F/-9°C to 165°F/74°C (ALFAS)
 - -50°F/-45°C to 165°F/74°C (Nitrile, Low-temp)
 - -61°F/-52°C to 165°F/74°C (Nitrile, Low-temp, butadiene)

MATERIALS OF CONSTRUCTION

- **BODY & BONNET OPTIONS:**
 - 316 Stainless Steel
 - 17-4 Stainless Steel
- **VALVE SEAT:** 17-4 Stainless Steel, hardened
- **VENT VALVE SEAT:** 316 Stainless Steel
- **WETTED PARTS:**
 - 316 Stainless Steel and 17-4 Stainless Steel
- **O-RING MATERIAL:**
 - Viton®
 - Buna-N
 - EPDM
 - AFLAS
 - Nitrile (Low-Temp)
 - Kalrez® (Contact factory for pricing)
 - Nitrile (Low-Temp) - Butadiene
- **BACK-UP RINGS:** PTFE

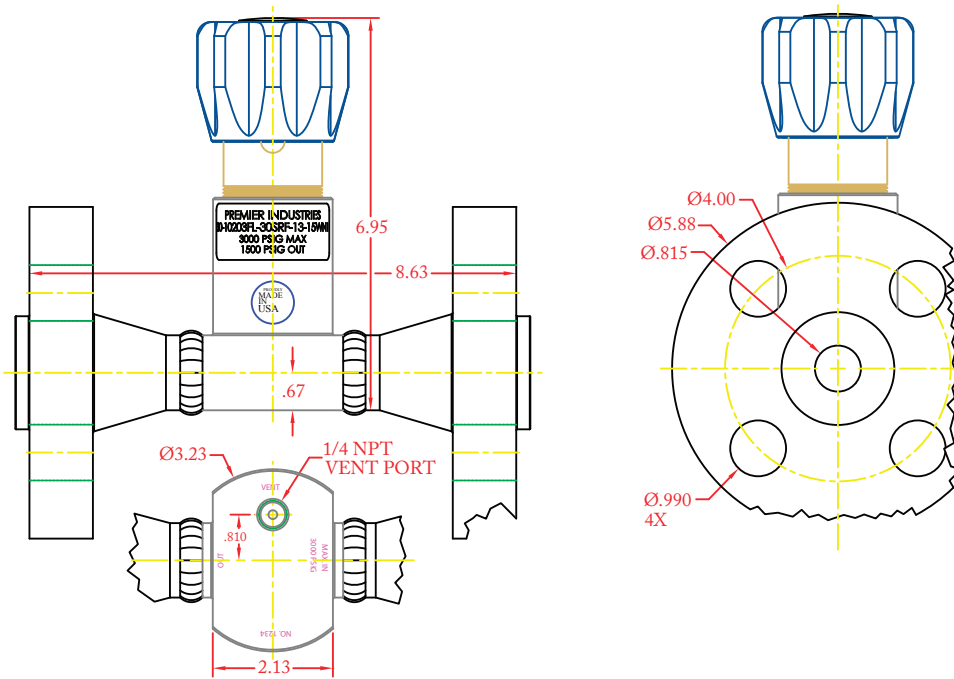
PORTING

- **INLET PORT:**
 - ANSI B16.5 Class 1500 forged flange, 1" nominal pipe size, welded neck and raised face
- **OUTLET PORT:**
 - ANSI B16.5 Class 1500 forged flange, 1" nominal pipe size, welded neck and raised face
- **VENT PORT:**
 - 1/4" FNPT


OPTIONAL ITEMS

- Private label

PART NUMBER: 30-10203FL



PART #	1	2	-	3	4	5	6	7	-	8	9	-	10	11	12	13	14
30-10203			-						-			-					

1 2	MOUNTING STYLE
FL	Flange mount style body
3	OUTLET PRESSURE
1	5-500 PSIG (0.34-34.5 Bar)
2	5-800 PSIG (0.34-55.2 Bar)
3	10-1500 PSIG (0.69-103.4 Bar)
4	15-2500 PSIG (1.0-172.4 Bar)
4	MAIN VALVE Cv
0	Cv 0.06
<i>Vent Valve Cv: 0.06</i>	
5	PORTING CONFIGURATION
S	
6 7	FLANGE FACE STYLE
RF	Raised face

8 9	O-RING MATERIALS
00	BUNA-N
01	AFLAS®
02	VITON®
05	EPDM
11	KALREZ® <i>(Contact factory for pricing)</i>
12	NITRILE, LO-TEMP
13	NITRILE, LO-TEMP, BUTADIENE
10 11	ANSI FLANGE CLASS
15	ANSI class 1500 forged flange
12 13	FLANGE NECK STYLE
WN	Welded neck
14	NOMINAL PIPE SIZE
1	1" nominal pipe size