

H2 3123 SERIES

Hydrogen, High Pressure, Piston Sensed
Back Pressure Regulators



Premier H2 3123 Series Hydrogen regulators are piston-sensed, variable-control pressure, back pressure regulators rated for inlet and outlet pressures up to 15000 PSIG (*1034.21 bar*), with Cv of 0.03, 0.06, 0.14, 0.20. Premium H2 3123 series regulators are designed for use in Hydrogen applications; they are available with a wide range of outlet and inlet configurations.

FEATURES

- Inlet/outlet pressures up to 15000 PSIG (*1034.21 bar*) max
- Designed for use with Hydrogen
- Cv: 0.03, 0.06, 0.14, or 0.20
- Low torque ball bearing loader
- Economical pricing
- Multiple mounting options
(*bracket, panel nuts, surface mount*)
- Machined bar stock body, bonnet and piston eliminates porosity found in castings
- Numerous materials & optional features available.

SOME APPLICATIONS WILL REQUIRE A CUSTOM SOLUTION.
CONTACT PREMIER INDUSTRIES TO REQUEST A MODIFICATION
OR A CUSTOM DESIGN.

SPECIFICATIONS

- **MAXIMUM INLET PRESSURE:**
 - 15000 PSIG (1034.21 bar)
- **CONTROL PRESSURE RANGE:**
 - 300-15000 PSIG (20.68- 1034.21 bar)
- **FLOW (Cv):** 0.03, 0.06, 0.14 or 0.2
- **AMBIENT OPERATING TEMP **:**
 - -15°F/-26°C to 165°F/74°C (BUNA-N)
 - -4°F/-20°C to 165°F/74°C (Viton®)
 - -65°F/-54°C to 165°F/74°C (EPDM)

MATERIALS OF CONSTRUCTION

- **BODY:**
 - 316 Stainless Steel
- **BONNET (NON-WETTED):**
 - 17-4 Stainless Steel
- **MAIN VALVE SEAT:**
 - Vespel®
- **MAIN VALVE STEM:**
 - 316 Stainless Steel
- **SEALS:**
 - Viton®
 - BUNA-N
 - EPDM
- **BACK-UP RINGS:**
 - PTFE
 - PCTFE
- **WETTED, OTHER:**
 - 316 Stainless Steel & Toughmet® 3 TS160U

PORTING

- **INLET & OUTLET PORT OPTIONS:**
 - 1/4" FNPT, medium pressure, high pressure
 - 3/8" FNPT, medium pressure, high pressure
 - 9/16" medium pressure
- **GAUGE PORTS:** 1/4" FNPT

OPTIONS

- Gauges
- Private label
- Surface mount
- Panel mounting bracket: P/N: 30-10059
(Ø2.15 panel hole)
- Panel mounting nuts: P/N: 30-10189
(Ø2.28 panel hole)

NOTE MAXIMUM CONTROL PRESSURE:

The end user is responsible to ensure adequate fittings are used to connect regulator to plumbing.

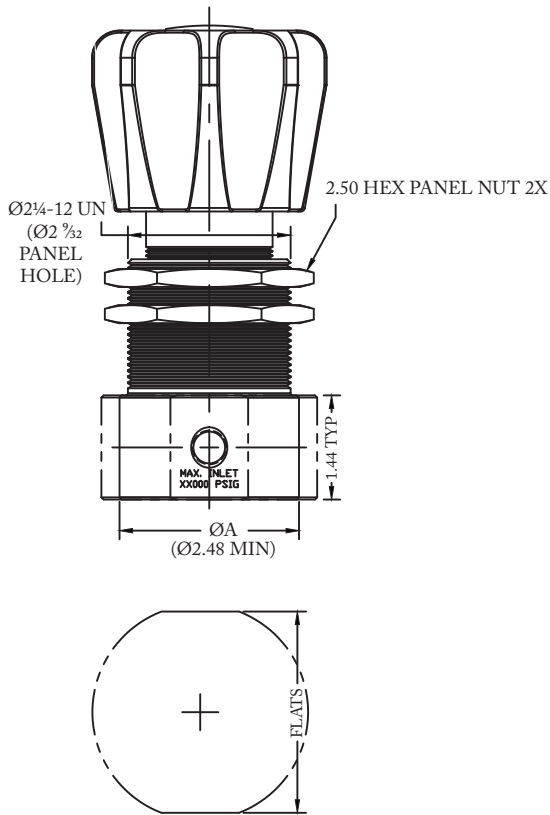
Viton® and Vespel® are registered trademarks of E.I. duPont de Nemours and Company.

PEEK® is a registered trademark of Victrex PLC

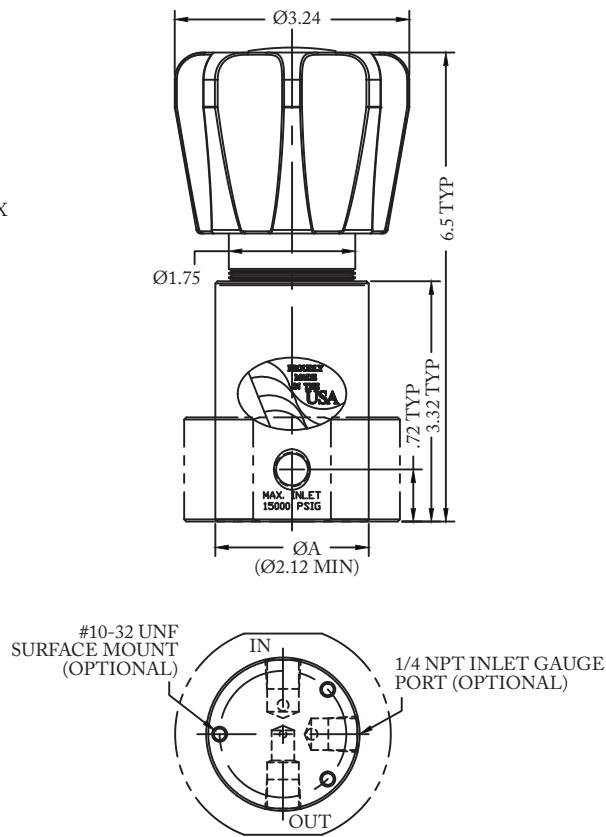
Contact factory for material certifications. Fees may apply.

PART NUMBER: H30-10223

PANEL NUT STYLE



PANEL MOUNTING BRACKET STYLE



PANEL NUT BODY		
PORT TYPE	ØA	FLATS
NPT	Ø2.48	—
1/4" M.P. & H.P.	Ø2.48	2.36
3/8" M.P.	Ø2.48	2.36
3/8" H.P.	Ø2.98	2.81
9/16" M.P.	Ø2.98	2.81

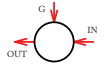

MOUNTING BRACKET BODY		
PORT TYPE	ØA	FLATS
1/4 & 3/8 NPT	Ø2.12	—
1/4" M.P. & H.P.	Ø2.12	1.98
3/8" M.P.	Ø2.48	2.36
3/8" H.P.	Ø2.98	2.81
9/16" M.P.	Ø2.98	2.81

H2 3123 SERIES

Hydrogen, High Pressure, Piston Sensed
Back Pressure Regulators

PART #	-	1	2	3	4	-	5	6	-	MODS
H30-10223	-					-			-	

**316 STAINLESS STEEL BODY
MOUNTING BRACKET STYLE BODY STANDARD**

1	MAIN VALVE Cv
A	Cv 0.03
0	Cv 0.06
1	Cv 0.14
2	Cv 0.20
2	MAIN VALVE Cv
H	
S	
3	PORT SIZE
4	1/4"
6	3/8"
9	9/16"*
<p><i>*9/16" ports only available in medium pressure</i> <i>Gauge ports: 1/4" FNPT</i></p>	

4	PORT TYPE
1	NPT
4	MEDIUM PRESSURE
5	HIGH PRESSURE
5 6	O-RING MATERIAL
00	BUNA-N
02	VITON®
05	EPDM
MODIFICATIONS	
<i>Separate multiple mods with a dash</i>	
BLANK	None
PN	Panel nut style body (panel nuts included)
SM	Surface mount

15000 PSIG MAXIMUM CONTROL PRESSURE:
The end user is responsible to ensure adequate fittings are used to connect regulator to plumbing.

Viton® is a registered trademark of E.I. duPont de Nemours and Company.

Contact factory for material certifications. Fees may apply.