

5050DLB SERIES

High Flow, Dome Loaded / Bias Spring
Pressure Reducing Regulators



Premier 5050DLB Series dome loaded / bias spring, single stage, high flow, piston sensed, pressure reducing regulators. Premier 5050DLB Series regulator feature inlet pressures up to 1000 PSIG (*68.95 bar*), Cv 5.0, maximum dome load of 200 PSIG (*13.79 bar*) and a preset bias pressure. 5050DLB Series regulators are designed for tracking applications, where a constant differential pressure is desired.

FEATURES

- Flow capacity (Cv): 5.0
- 1000 PSIG (*68.95 bar*) max inlet pressure
- Adjustable spring bias pressure
- Non-venting
- Compact size
- Machined bar stock body eliminates porosity found in castings

SOME APPLICATIONS WILL REQUIRE A CUSTOM SOLUTION.
CONTACT PREMIER INDUSTRIES TO REQUEST A MODIFICATION
OR A CUSTOM DESIGN.

SPECIFICATIONS

- **MAXIMUM INLET PRESSURE:**
 - 1000 PSIG (68.95 bar)
- **MAX DOME LOAD:**
 - 200 PSIG (13.79 bar)
- **MAX BIAS PRESSURE:**
 - 200 PSIG (13.79 bar)
- **OUTLET PRESSURE:**
 - dome load pressure + bias pressure
- **FLOW (Cv):** 5.0

MATERIALS OF CONSTRUCTION

- **BODY, BONNET, BACK CAP:**
 - 316 Stainless Steel
 - 303 Stainless Steel
 - 6061-T6 Aluminum, Clear Anodize
- **PISTON:**
 - 316 Stainless Steel
 - 303 Stainless Steel
 - SAE 360 Brass
- **MAIN VALVE SEAT:**
 - Buna-N
- **MAIN VALVE:**
 - 316 Stainless Steel
- **O-RINGS:**
 - Buna-N
- **DOMELoad BIAS SPRING:**
 - 302 Stainless Steel

PORTING

- **STANDARD INLET:**
 - 1" FNPT*
- **STANDARD OUTLET:**
 - 1" FNPT*
- **DOMELoad PORT:**
 - 1/8" FNPT

**See modifications list on page 3 for 1/2" in/out port mod.*

OPTIONS

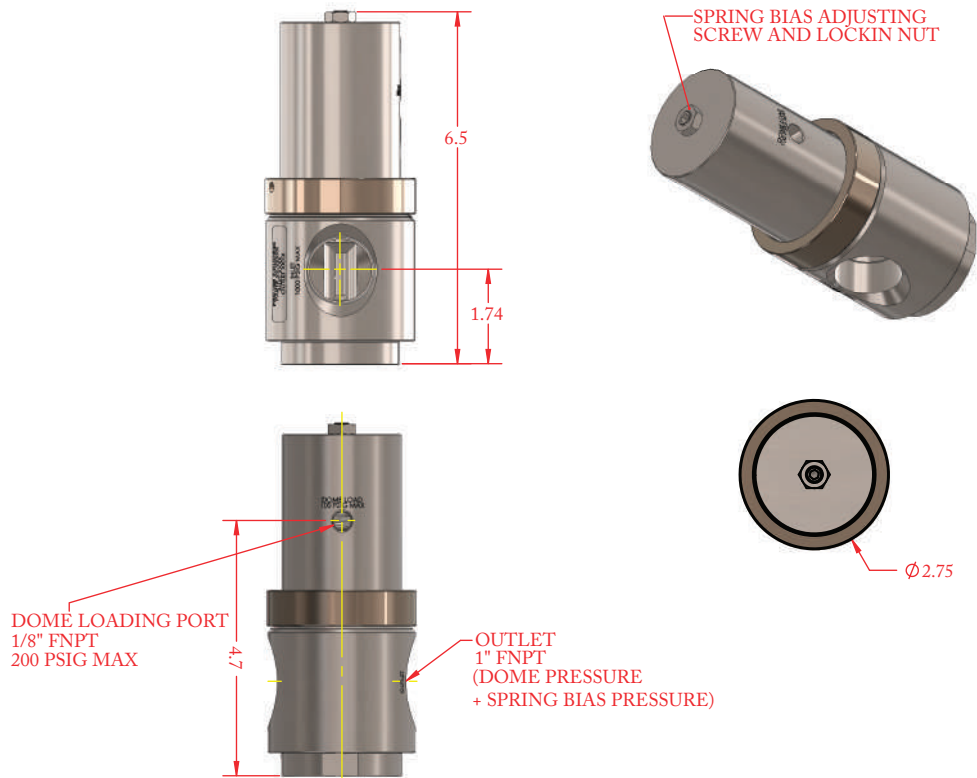
- Private labeling

Contact factory for material certifications. Fees may apply.

5050DLB SERIES

High Flow, Dome Loaded / Bias Spring
Pressure Reducing Regulators

PART NUMBER: 50-12510



5050DLB SERIES

High Flow, Dome Loaded / Bias Spring
Pressure Reducing Regulators

PART #	-	1	-	2 3	-	MODS
50-12510	-		-		-	

1	BODY/BONNET/BACK CAP MATERIAL & FINISH
1	6061-T6 Aluminum, <i>Clear Anodize</i>
2	303 Stainless Steel, <i>Cleaned per spec #515</i>
3	316 Stainless Steel, <i>Cleaned per spec #515</i>

Contact factory for material certifications. Fees may apply.

2 3	SPRING BIAS
Specify spring bias pressure in "XX" psig (Examples, '05" is 5 psig spring bias, '12' is 12 psig spring bias. <i>Note: max bias pressure: 200 psig/13.79 bar)</i>	
MODIFICATIONS	
BLANK	standard configuration
12	1/2" FNPT process ports
G	1/4" FNPT inlet/outlet gauges