

2790 SERIES

Micro, Piston Sensed
Pressure Reducing Regulators



Miniature, economical, piston-sensed, fixed flow, pressure reducing, manifold regulators. 2790 Series regulators are designed drop into a manifold housing, minimizing volume. Premier 2790 Series regulators are rated for inlet pressures up to 3000 psig (*206.84 bar*) and Cv 0.0025. Offered in both single stage and two stage designs.

FEATURES

- Compact size
- Max Inlet: 1500 psig (*103.42 bar*) or 3000 psig (*206.84 bar*)
- Cv: 0.0025
- Single stage and two stage designs available
- Economical pricing
- Machined bar stock body eliminates porosity found in castings

SOME APPLICATIONS WILL REQUIRE A CUSTOM SOLUTION.
CONTACT PREMIER INDUSTRIES TO REQUEST A MODIFICATION
OR A CUSTOM DESIGN.

SPECIFICATIONS

- **MAXIMUM INLET PRESSURE OPTIONS:**
 - 1500 psig (103.42 bar) max
 - 3000 psig (206.84 bar) max
- **PRESET CONTROL PRESSURE OPTIONS:**
 - 30 PSIG (2.07 bar)
 - 45 PSIG (3.10 bar)
 - 150 PSIG (10.34 bar)
 - 250 PSIG (17.24 bar)
 - 500 PSIG (34.47 bar) (50-11398 only)
- **FLOW (Cv):** 0.0025
- **WEIGHT:** ~ 0.05 lbs.

MATERIALS OF CONSTRUCTION

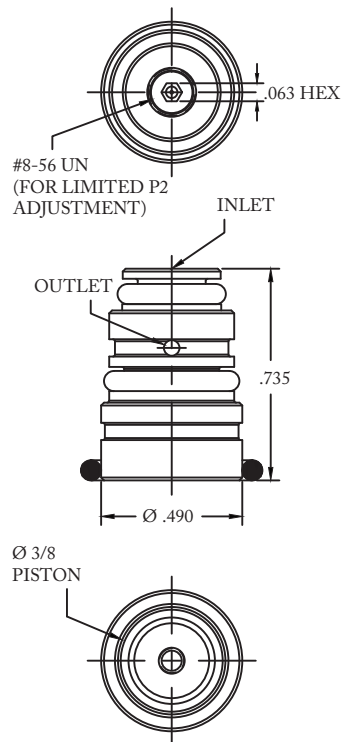
- **BODY OPTIONS:**
 - 6061-T6 Aluminum
 - 316 Stainless Steel
 - 303 Stainless Steel (50-12938 only)
 - Titanium TI-6AL-4V
- **PISTON:**
 - 6061-T6 Aluminum
 - 303 Stainless Steel
 - 316 Stainless Steel (50-12938 only)
 - Titanium TI-6AL-4V
- **PISTON SEAT:**
 - PTFE
- **O-RING SEAL OPTIONS:**
 - Buna-N
 - Viton®
 - EPDM
- **BACK-UP RINGS:**
 - PCTFE

Viton® is a registered trademark of E.I. duPont de Nemours and Company

Contact factory for material certifications. Fees may apply.

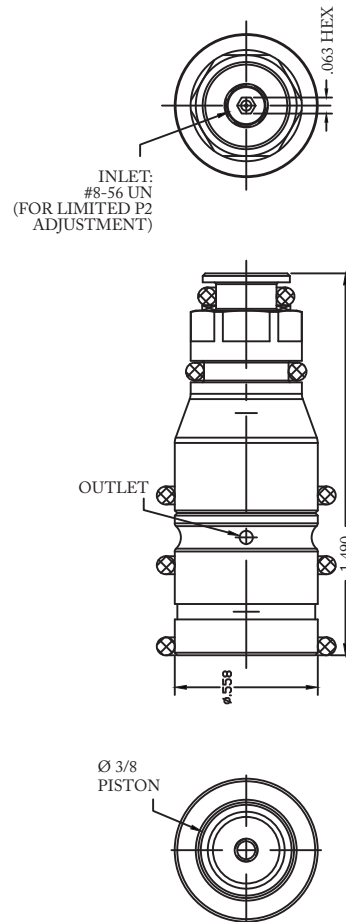
PART NUMBER: 50-11398

Single stage



PART NUMBER: 50-12938

Two stage



2790 SERIES

Micro, Piston Sensed
Pressure Reducing Regulators

| PART # | 1 | 2 | - | 3 | 4 | - | 5 | 6 |
|----------|---|---|---|---|---|---|---|---|
| 50-11398 | | | - | | | - | | |

SINGLE STAGE

| 1 2 | TYPE |
|-------|-------------------------------|
| BLANK | Standard (1500 psig max) |
| HP | High pressure (3000 psig max) |
| 3 | MATERIAL |
| 0 | 6061-T6 Aluminum |
| 1 | Stainless Steel |
| 5 | Titanium TI-6AL-4V |
| 4 | OUTLET PRESSURE |
| 0 | 500 PSIG (34.47 bar) |
| 1 | 150 PSIG (10.34 bar) |
| 2 | 45 PSIG (3.10 bar) |
| 3 | 30 PSIG (2.07 bar) |

| 5 6 | O-RING MATERIAL |
|-----|-----------------|
| 00 | Buna-n |
| 02 | Viton-A® |
| 05 | EPDM |

Viton-A® is a registered trademark of E.I.duPont de Nemours and Company

*Contact factory for material certifications.
Fees may apply.*

2790 SERIES

Micro, Piston Sensed
Pressure Reducing Regulators

| PART # | 1 | 2 | - | 3 | 4 | - | 5 | 6 |
|----------|---|---|---|---|---|---|---|---|
| 50-12938 | | | - | | | - | | |

TWO STAGE

| 1 2 | TYPE |
|-------|-------------------------------|
| BLANK | Standard (1500 psig max) |
| HP | High pressure (3000 psig max) |
| 3 | MATERIAL |
| 0 | 6061-T6 Aluminum |
| 1 | 316 Stainless Steel |
| 2 | 303 Stainless Steel |
| 5 | Titanium TI-6AL-4V |

| 4 | OUTLET PRESSURE |
|-----|----------------------|
| A | 250 PSIG (17.24 bar) |
| 0 | 500 PSIG (34.47 bar) |
| 1 | 150 PSIG (10.34 bar) |
| 2 | 45 PSIG (3.10 bar) |
| 3 | 30 PSIG (2.07 bar) |
| 5 6 | O-RING MATERIAL |
| 00 | Buna-n |
| 02 | Viton-A® |
| 05 | EPDM |

*Viton-A® is a registered trademark of
E.I. duPont de Nemours and Company*

*Contact factory for material certifications.
Fees may apply.*