

4300S SERIES

Miniature, Two Stage
Pressure Reducing Regulators



Premier 4300S Series adjustable, miniature, two stage (1st stage piston, 2nd stage Elgiloy® diaphragm) pressure reducing regulators, are designed for high purity, low-flow gas delivery. Their compact, two stage design provides precise, stable delivery pressures even as the supply pressure decreases. Premier 4300S Series regulators are rated for inlet pressures up to 3000 PSIG (206.84 bar) and Cv 0.014.

Premier 4300S Series regulators are available in a wide variety of materials and configurations, making them ideal for use in labs, industrial monitors, disposable / transportable gas cylinders, and for the regulation of a broad range of media.

FEATURES

- Elgiloy® diaphragm reduces gas contamination and diffusion
- Precise, stable delivery pressure even as the supply pressure decreases
- Low internal volume promotes quick gas flow stabilization and purging
- Models are available for both corrosive and non-corrosive service.
- Major components available in numerous materials
- Machined bar stock body, interstage body, bonnet and piston eliminates porosity found in castings
- Optional acorn nut / preset outlet pressure
- Integral inlet filter
- Compact size (1.25 in. diameter x 4.7 in. high)
- Extremely light weight
- Very competitive pricing

SOME APPLICATIONS WILL REQUIRE A CUSTOM SOLUTION.
CONTACT PREMIER INDUSTRIES TO REQUEST A MODIFICATION
OR A CUSTOM DESIGN.

4300S SERIES

Miniature, Two Stage
Pressure Reducing Regulators

SPECIFICATIONS

- **MAXIMUM INLET PRESSURE:**
 - 3000 psig (206.84 bar)
- **OUTLET PRESSURE RANGES:**
 - 0-10 PSIG (0 - 0.69 bar)
 - 0-50 PSIG (0 - 3.45 bar)
 - 0-100 PSIG (0 - 6.89 bar)

***Other pressure ranges available upon request*
- **LEAK RATE:** Bubble Tight
- **WEIGHT:**
 - Approx. 9 oz. for Aluminum
 - Approx. 1.5 lbs for Brass and Stainless Steel
- **FLOW CAPACITY (C_v):** 0.014

MATERIALS OF CONSTRUCTION

- **BODY OPTIONS:**
 - SAE 360 Brass / Nickel Plated (Standard)
 - 303 Stainless Steel
 - 316 Stainless Steel
 - 6061-T6 Aluminum / Nickel Plated
 - Monel® available upon request
- **BONNET:**
 - SAE 360 Brass / Nickel Plated (Standard)
 - 316 Stainless Steel
 - 6061-T6 Aluminum / Nickel Plated
 - Monel® available upon request
- **PISTON:**
 - SAE 360 Brass (Standard)
 - 303 Stainless Steel
 - Monel® available upon request
- **2ND STAGE DIAPHRAGM:**
 - Elgiloy®
- **PISTON SEAL OPTIONS:**
 - Viton®
 - BUNA-N
 - Neoprene
- **MAIN VALVE SEAT:** PTFE

PORTING

- **INTEGRATED INLET PORTING:**
 - 1/4" FNPT (Standard)
 - 1/8" FNPT
- **OPTIONAL INLET ADAPTER CONNECTIONS:**
 - C-10 (5/8"-18 UNF)
 - All available CGA Connections
- **INTEGRATED OUTLET PORTING:**
 - 1/8" FNPT (Standard)
- **OPTIONAL OUTLET ADAPTER CONNECTIONS:**
 - 1/8" MNPT
 - 1/8" Hose Barb
 - 3/16" Hose Barb
 - 1/4" Hose Barb

OPTIONS

- Gauges: Chrome plated steel case with brass socket or stainless steel wetted
- Optional acorn nut / preset outlet pressure: P/N: 50-11676 (rated for inlet pressures up to 5000 psig / 344.7 bar)
- Private Label

ORDERING/PART NUMBERS

- **Standard, 10 PSIG (0.69 bar) outlet:** 50-10364-1
- **Standard, 50 PSIG (3.45 bar) outlet:** 50-10364-2
- **Standard, 100 PSIG (6.89 bar) outlet:** 50-10364-3
- **Non-Standard:** part # assigned per requirements

Elgiloy® is a registered trademark of Elgiloy Specialty Metals Division, Combined Metals of Chicago L.L.C.

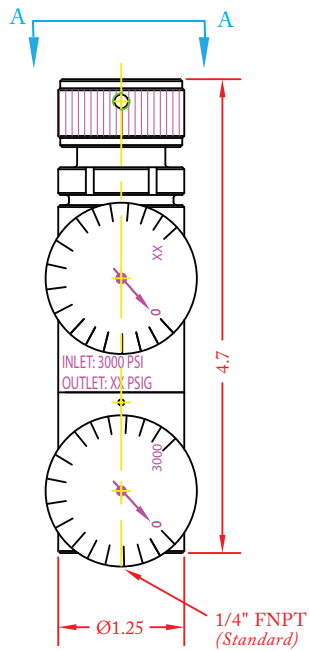
Viton® is a registered trademarks of E.I.duPont de Nemours and Company

Contact factory for material certifications. Fees may apply.

4300S SERIES

Miniature, Two Stage
Pressure Reducing Regulators

PART NUMBER: 50-10364



VIEW A-A

