

# PA32 SERIES

Pneumatically Actuated, Three Way, Two Position  
Valves



The Premier PA32 Series pneumatically actuated, high pressure 3/2 valve can operate as both normally open and normally closed with a simple change in plumbing. This valve is rated for operating pressures up to 3000 psig /206.8 barg, Cv 0.025, and can actuate at as low as 100 psig / 6.89 barg.

## NORMALLY OPEN

When used in the normally open position while unloaded, the PA32 allows flow from inlet to outlet. When loaded with 100-150 psig (6.89-10.34 bar), the PA32 allows flow from outlet to exhaust.

## NORMALLY CLOSED

When used in the normally closed position while unloaded it allows flow from outlet to exhaust. When loaded with 100-150 psig (6.89-10.34 bar), the PA32 allows flow from inlet to outlet.

## FEATURES

- High process pressures for heavy actuation loads.
- Can be used as normally open or normally closed

**SOME APPLICATIONS WILL REQUIRE A CUSTOM SOLUTION.**  
CONTACT PREMIER INDUSTRIES TO REQUEST A MODIFICATION  
OR A CUSTOM DESIGN.

# PA32 SERIES

Pneumatically Actuated, Three Way, Two Position  
Valves

## SPECIFICATIONS

- **MAWP** : 3000 PSIG (206.84 bar)
- **ACTUATION PRESSURE** :
  - 100 - 150 PSIG (6.89-10.34 bar)
- **FLOW (Cv)** : 0.025

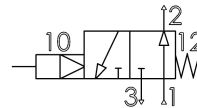
## MATERIALS OF CONSTRUCTION

- **WETTED MATERIALS:**
  - 300 Series Stainless Steel
- **SOFT GOODS:**
  - PTFE, PEEK®, Buna-N, & Polyurethane
- **LUBRICANT:**
  - Krytox 240AC

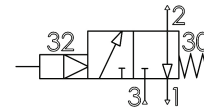
## PORTING

- **SAE J1926-1 SIZE -2 (1/8 TUBE)** (standard, see selector)
  - **PORT '1'**: INLET FOR NORMALLY OPEN OPERATION (VENT FOR N.C.)
  - **PORT '2'**: PROCESS OUTLET PORT
  - **PORT '3'**: INLET FOR NORMALLY CLOSED OPERATION (VENT FOR N.O.)

### NORMALLY OPEN



### NORMALLY CLOSED



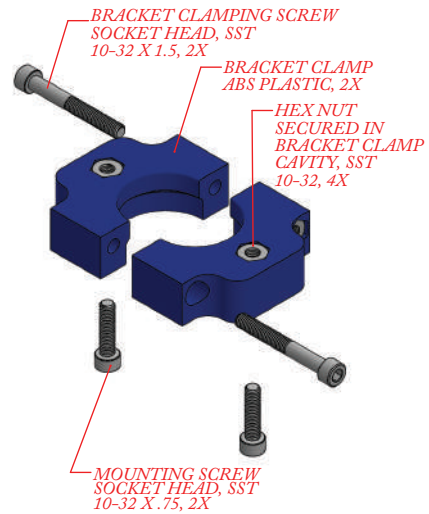
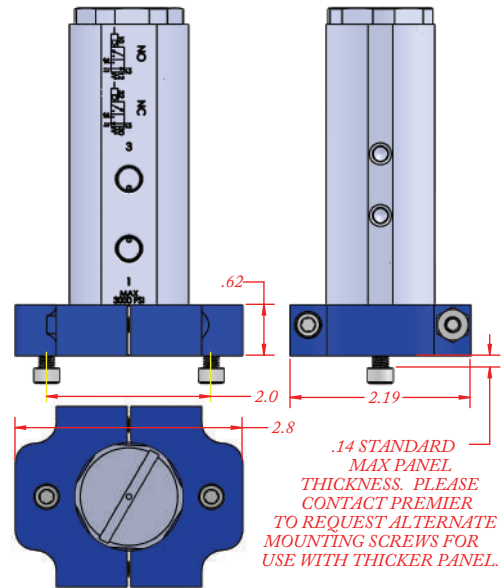
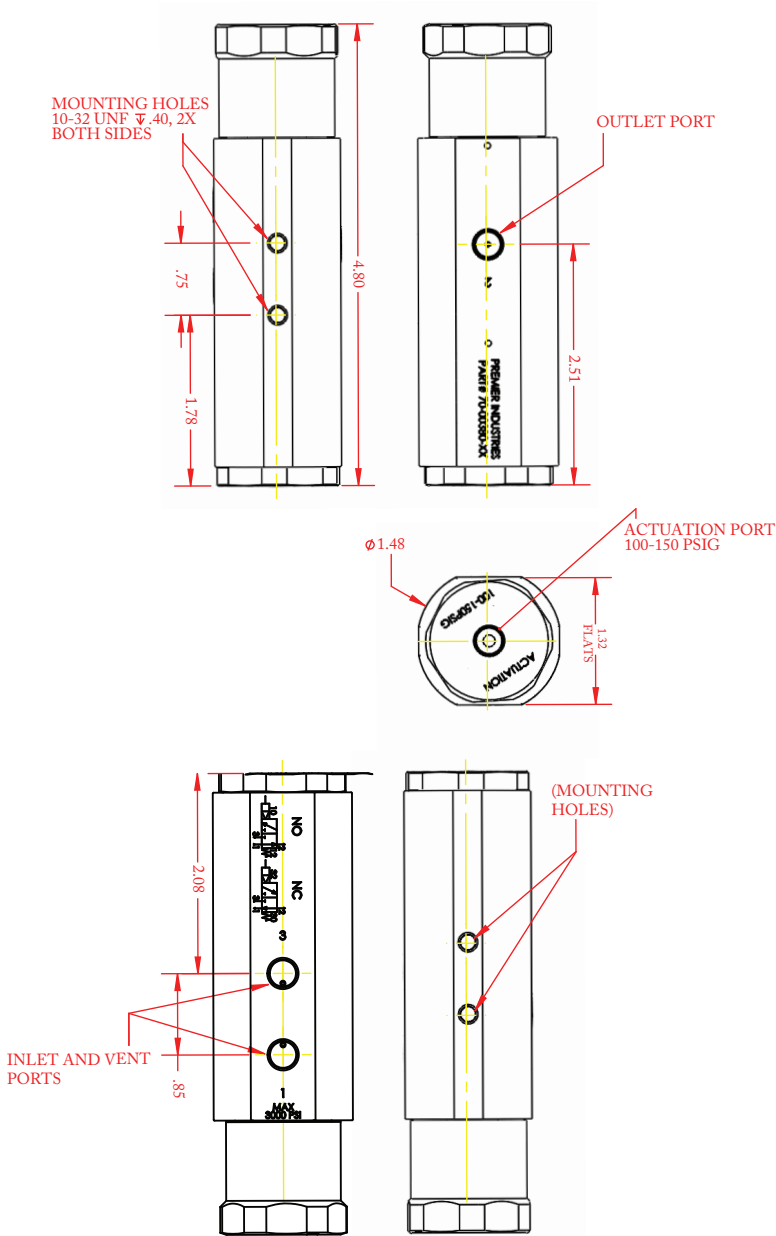
## OPTIONS

- Private labeling
- Bottom mount bracket: ABS plastic and stainless steel (see page 3)

*PEEK is a registered trademark of Victrex PLC*

**PART NUMBER: 70-00380**

**BOTTOM MOUNT BRACKET**  
(OPTIONAL)



# PA32 SERIES

Pneumatically Actuated, Three Way, Two Position  
Valves

PART #	-	1	2	-	3
70-00380	-			-	

<b>1</b>	<b>MATERIAL</b>
2	<i>300 Series Stainless Steel</i>
<b>2</b>	<b>PORTING</b>
1	<i>SAE J1926-1, SIZE -2 (1/8 TUBE)</i>
<b>MODIFICATIONS</b> <i>(ADD ALL REQUIRED MODS TO END OF PART#)</i>	
BLANK	<i>None</i>
<b>B</b>	<i>Bottom mount bracket</i>
<b>SPX5</b>	<i>Clean and handle to SPX class 5</i>