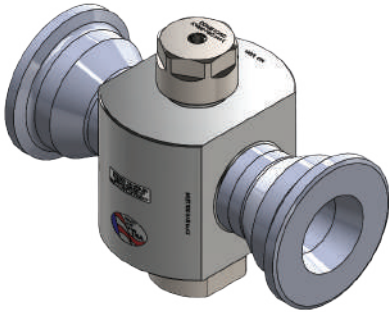


50300DL SERIES

Dome Loaded, High Flow
Pressure Reducing Regulators



Premier 50300DL Series dome loaded, single stage, high flow, piston sensed, pressure reducing regulators, rated for inlet and outlet pressures up to 6000 PSIG / 413.7 bar (dependent upon configuration), and Cv 30.0. The 50300DL features an externally loaded 1:1 dome load. Optional external sensing port for improved accuracy.

FEATURES

- Flow capacity (Cv): 30.0
- 6000 PSIG (413.7 bar) max inlet pressure
- 1:1 dome load
- Optional external sensing port
- Economical pricing
- Machined bar stock body eliminates porosity found in castings

SOME APPLICATIONS WILL REQUIRE A CUSTOM SOLUTION.
CONTACT PREMIER INDUSTRIES TO REQUEST A MODIFICATION
OR A CUSTOM DESIGN.

SPECIFICATIONS

- **MAXIMUM INLET PRESSURE:**
 - 6000 PSIG (413.7 BAR)
- **MAXIMUM OUTLET PRESSURE:**
 - 6000 PSIG (413.7 BAR)
- **FLOW (C_v):** 30.0
- **TEMPERATURE:** -20° TO 100°F (-29° TO 38°C)

NOTE: MAX PRESSURE DERATED
FROM 6000 TO 5000 PSI AND 3600 TO
3000 PSI FOR TEMPERATURES BETWEEN
100° & 200°F (38° & 93°C)

MATERIALS OF CONSTRUCTION

- **BODY:**
 - 316 Stainless Steel
- **BONNET:**
 - 17-4 PH Stainless Steel
- **PISTON:**
 - 316 Stainless Steel
- **VALVE HOUSING:**
 - 17-4 PH Stainless Steel
- **MAIN VALVE SEAT OPTIONS:**
 - VESPEL SP-1®
 - PEEK®
 - PCTFE (3600 PSI MAX)
- **O-RING OPTIONS:**
 - BUNA-N
 - Viton®
 - EPDM
- **BACK-UP RING OPTIONS:**
 - BUNA-N
 - Viton®
 - EPDM

*Viton® and Vespel® are registered trademarks of E.I. duPont
de Nemours and Company.*

PEEK® is a registered trademark of Victrex PLC

Contact factory for material certifications. Fees may apply.

PORTING

- **INLET & OUTLET OPTIONS:**
 - 2.5" GR 25 GRAYLOC HUBS (3600 PSI MAX)
 - 2.5" GR 20 GRAYLOC HUBS (6000 PSI MAX)
 - 2.5" 1500# RF FLANGES (3600 PSI MAX)
 - 2.5" 2500# RF FLANGES (6000 PSI MAX)
- **EXTERNAL SENSING PORT OPTIONS:**
 - 1/4" FNPT
 - 1/4" SAE J1926
 - 1/4" SAE AS5202**
- **DOME PORT OPTIONS:**
 - 1/4" FNPT
 - 1/4" SAE J1926
 - 1/4" SAE AS5202**

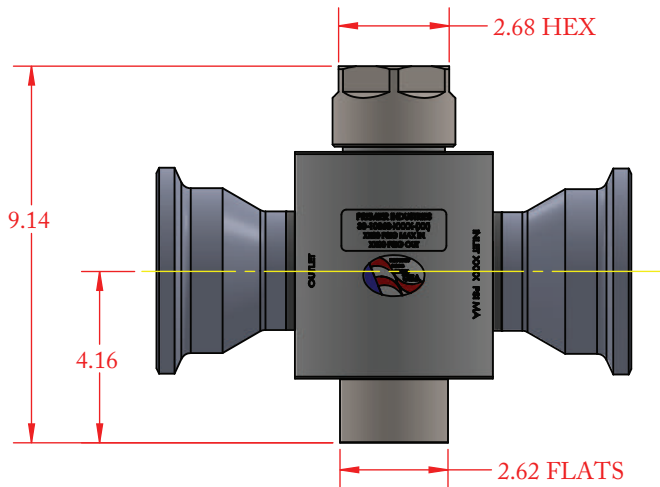
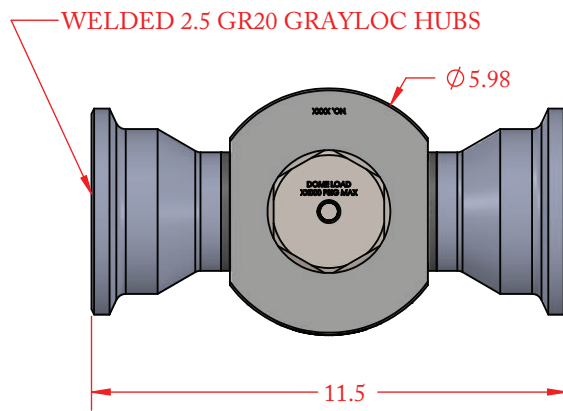
*** (SAE AS5202 supersedes MS33649)*

OPTIONS

- Private Label

PART NUMBER: 30-10868

Shown below with 2.5 GR 25 GRAYLOC HUBS



50300DL SERIES

Dome Loaded, High Flow
Pressure Reducing Regulators

PART NUMBER:	-	1	2	3	4	-	MODS
30-10868	-					-	

1	SEAT MATERIAL OPTIONS
1	VESPEL SP-1®
2	PEEK®
3	PCTFE (3600 PSI MAX)
2	O-RING / BACK-UP RING MATERIAL OPTIONS
1	Buna-N
2	Viton®
3	EPDM
3	PORTING
1	2.5 GR 25 GRAYLOC HUBS (3600 PSI MAX)
2	2.5 GR 20 GRAYLOC HUBS (6000 PSI MAX)
3	2.5 1500# RF FLANGES (3600 PSI MAX)
4	2.5 2500# RF FLANGES (6000 PSI MAX)

4	DOMEST PORT OPTIONS
1	1/4" FNPT
2	1/4" SAE J1926
3	1/4" SAE AS5202
MODIFICATIONS	
BLANK	None
E1	1/4" FNPT external sensing port
E2	1/4" SAE J1926 external sensing port
E3	1/4" SAE AS5202 external sensing port
SM	SURFACE MOUNT

Viton® and VespeL® are registered trademarks of E.I. du Pont de Nemours and Company

PEEK® is a registered trademark of Victrex PLC

Contact factory for material certifications. Fees may apply.

NOTE: MAX PRESSURE DERATED FROM 6000 TO 5000 PSI AND 3600 TO 3000 PSI FOR TEMPERATURES BETWEEN 100° & 200°F (38° & 93°C)