

SCF 3123 SERIES

High Pressure, Piston Sensed
Back Pressure Regulators



High pressure Premier SCF 3123 Series back pressure regulators are elastomer free, designed to stand up to the aggressive, solvent-like qualities of supercritical CO₂, while providing reliable and precise pressure regulation. Premier SCF 3123 Series single stage, piston sensed, variable control pressure regulators, are rated for inlet pressures up to 15000 PSIG (1034.21 bar) with a control pressure range of 300-15000 PSIG (20.68 - 1034.21 bar). The SCF 3123 Series regulator features a low torque hand knob for smooth adjustments.

FEATURES

- Rated for pressures up to 15000 PSIG (1034.21 bar)
- Designed for use with supercritical CO₂
- Flow capacity (Cv): 0.06
- Low torque ball bearing hand knob
- Elastomer free
- Machined bar stock body, bonnet and piston eliminates porosity found in castings

SOME APPLICATIONS WILL REQUIRE A CUSTOM SOLUTION.
CONTACT PREMIER INDUSTRIES TO REQUEST A MODIFICATION
OR A CUSTOM DESIGN.

SPECIFICATIONS

- **MAXIMUM INLET PRESSURE:**
 - 15000 PSIG (1034.21 bar)
- **CONTROL PRESSURE RANGE:**
 - 300-15000 PSIG (20.68 - 1034.21 bar)
- **FLOW (C_v):** 0.06
- **OPERATING TEMPERATURE:**
 - -110°F/-79°C to 165°F/74°C (PTFE)

MATERIALS OF CONSTRUCTION

- **BODY:**
 - 316 Stainless Steel,
- **BONNET:**
 - 17-4 Stainless Steel
- **WETTED PARTS, OTHER:**
 - 316 Stainless Steel
 - 17-4 Stainless Steel
 - PH15-7Mo Stainless Steel
- **SEALS:**
 - PTFE
- **VALVE SEAT:**
 - PEEK®

PORTING

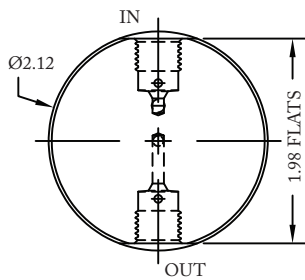
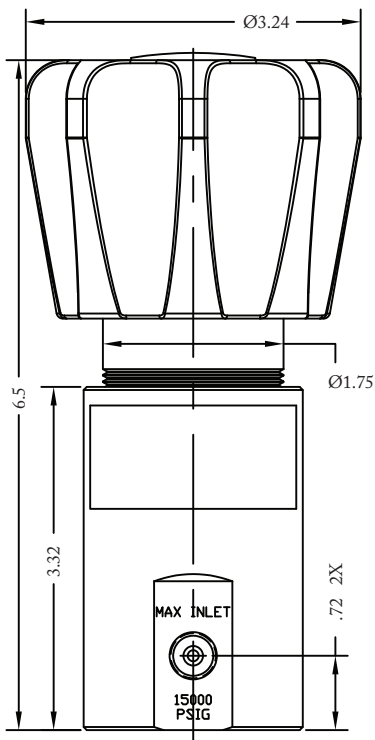
- **INLET/OUTLET PORTING OPTIONS:**
 - 1/4" medium pressure
 - 1/4" high pressure

OPTIONAL ITEMS

- Private label
- Panel mounting bracket: *P/N: 30-10059 (Ø2.15 panel hole)*

PEEK® is a registered trademark of Victrex PLC

PART NUMBER: 30-10223G



SCF 3123 SERIES

High Pressure, Piston Sensed
Back Pressure Regulators

PART #:	-	1	2	3	-	4
30-10223SC	-				-	

1	OUTLET PRESSURE
8	300-15000 PSIG 20.68-1034.21 Bar
2	PORT SIZE
4	1/4"
3	PORT TYPE
4	Medium Pressure
5	High Pressure
4	VALVE SEAT
3	PEEK®

15000 PSIG MAX INLET

The end user is responsible to ensure adequate fittings are used to connect regulator to plumbing.

Contact factory for material certifications. Fees may apply.

PEEK® is a registered trademark of Victrex PLC