

# PANEL MOUNTING BRACKET

Stainless Steel, Aluminum Black Anodized, ABS



Premier Heavy Duty Panel Mounting Brackets secure tightly around the bodies of a variety of our high pressure series regulators to safely secure your regulator with two mounting holes. We offer three different designs: one for all 2.12" diameter bodies, one for larger 2.505" diameter bodies, and one for smaller 1.75" diameter bodies.

## FEATURES

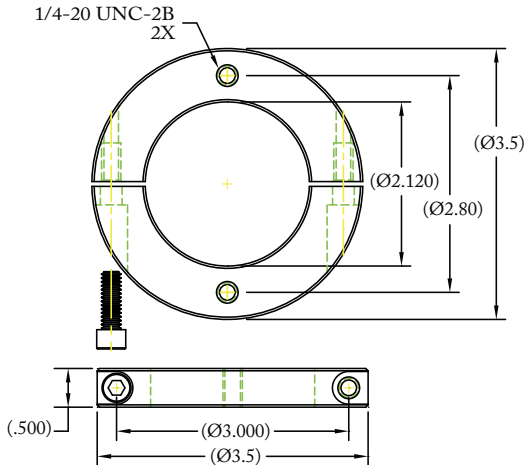
- Models available in 303 Stainless Steel, 6061-T6 Aluminum black anodize, and ABS.

**SOME APPLICATIONS WILL REQUIRE A CUSTOM SOLUTION.**  
CONTACT PREMIER INDUSTRIES TO REQUEST A MODIFICATION  
OR A CUSTOM DESIGN.

# PANEL MOUNTING BRACKET

Stainless Steel, Aluminum Black Anodized, ABS

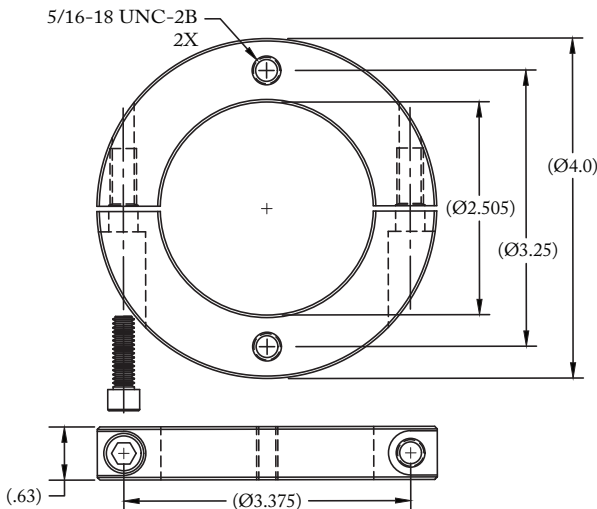
## PART NUMBER: 30-10059



## P/N 30-10059: 2.12 DIAMETER BODIES

Premier 3000 Series	Premier 6000 Series
Premier 3000AL Series	Premier 6000AL Series
Premier 3000DL Series	Premier 6000DL Series
Premier 3016 Series	Premier 6020 Series
Premier 3020 Series	Premier 6023 Series
Premier 3023 Series	Premier 6023AL Series
Premier 3023AL Series	Premier 6023DL Series
Premier 3023DL Series	Premier 6100 Series
Premier 3100 Series	Premier 6100AL Series
Premier 3100AL Series	Premier 6123 Series
Premier 3123 Series	Premier 6123AL Series
Premier 3123AL Series	

## PART NUMBER: 30-10500



## P/N 30-10500: 2.505 DIAMETER BODIES

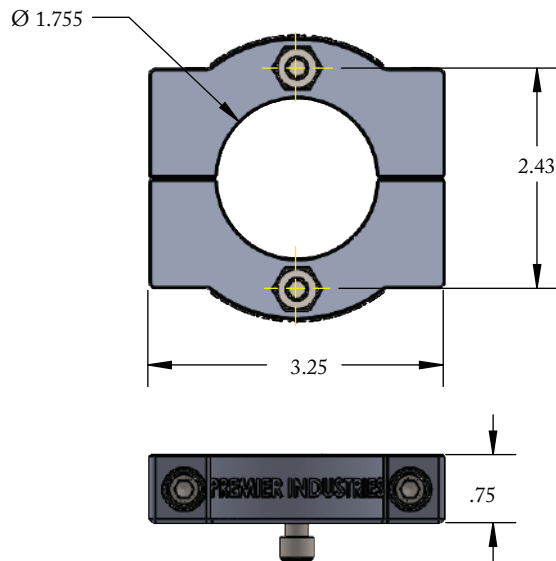
Premier 3025 Series
Premier 3025AL Series
Premier 3125 Series
Premier 6025 Series
Premier 6025AL Series
Premier 6125 Series

# PANEL MOUNTING BRACKET

Stainless Steel, Aluminum Black Anodized, ABS

PART NUMBER: 30-10891

P/N 30-10891: 1.73 DIAMETER BODIES



Premier 3500 Series  
Premier 3560 Series  
Premier 4600 Series  
Premier 6250DLB Series  
Premier 6500 Series  
Premier 6560 Series