



PRESSURE REGULATORS, VALVES,  
AND GAS DELIVERY SYSTEMS

**A PREMIER INDUSTRIES PUBLICATION**

*Copyright © 2023 Premier Industries  
All rights reserved.  
Printed in the USA*

**AMERICAN MADE.  
INNOVATIVE.  
RELIABLE.  
ECONOMICAL.  
PREMIER.**

# PREMIER REGULATORS, VALVES, & GAS DELIVERY SYSTEMS

## INNOVATIVE, CUTTING- EDGE DESIGNS

All our regulators and valves are manufactured and tested to meet industry specifications while keeping in mind the distinct needs and expectations of the customer.

It is our pleasure to provide and design solutions to meet the unique needs of unique applications.

## WE'RE EXPERIENCED AND RESPONSIVE.

Our customers know, if they have a question, they can pick up the phone and give us a call. No automated messaging systems here. We have a team of engineers with over 100 years of regulator design experience ready to assist you. We are always pushing for more sophisticated processes, working on leading-edge designs, while striving to remain personable and responsive.



## ROBUST & VERSATILE DESIGNS.

Premier regulators are designed with versatility in mind. Our regulators are offered with a variety of materials (with varying weight, strength, degrees of corrosion resistance etc.), flow capacities, and inlet/outlet pressure ranges. With the flexibility of optional port alignments, port sizes/types, relief and shut off valves etc, Premier regulators provide maximum versatility and compatibility for your unique product application.

## FINDING A PRODUCT TO SUIT YOUR APPLICATION.

Not all systems are the same. "Off the shelf" products may not be acceptable for many applications.

If you do not see a standard Premier model that suits your needs, please contact us; we would be happy to help you with a custom design or modification.

Give us a call at 763.786.4020 or e-mail us at [sales@premierind.us](mailto:sales@premierind.us).

We are excited to work with you.



## **Contents**

SELECTING A REGULATOR	8
CUSTOM DESIGNS & SOLUTIONS	9
MODIFICATION & CUSTOMIZATION OPTIONS	9
PRESSURE REDUCING REGULATORS	38
BACK PRESSURE REGULATORS	361
DEMAND FLOW REGULATORS	440
VALVES	447
CHANGEOVERS & MANIFOLDS	502
ACCESSORIES	524

# SELECTING A REGULATOR:

## WHEN SELECTING A REGULATOR, CONSIDER THESE FACTORS:

### Media

*(compatible w/ materials of construction)*

- Liquid
- Gas
- Corrosive
- Non-corrosive

### Regulator Type

- Pressure reducing
- Back pressure
- Vacuum actuated (*Demand Flow*)

### Loading Method

- Spring loaded (*hand knob*)
- Dome loaded
- Air actuated
- Dome loaded with bias spring
- Electronic

### Sensing Element

- Piston sensed
- Diaphragm sensed (*soft/stainless steel*)

### Stages

- *Single stage* – pressure reduction in a single stage.
- *Two stage* – for stable delivery pressures despite changes in supply pressure.
- *Single stage, stable set pressure* – for stable delivery pressures despite changes in supply pressure in a compact, single stage design.

### Operating Pressures

- Max inlet pressure
- Range of fluctuation in the supply pressure
- Desired outlet pressure
- Fluctuation permitted in the outlet pressure

### Flow Capacity

- Desired Cv / regulator flow capacity

### Materials of Construction

*(weighing corrosion resistance, cost, weight, durability etc.)*

- Body
- Bonnet
- Wetted parts
- Seat
- O-rings
- Other

### Venting

- Non-venting
- Captured venting
- Self-venting

### Porting Options

- Number of ports
- Port type
- Port size
- Porting configuration

### Mounting Options

- Panel mounting nuts/threaded bonnet
- Mounting bracket
- Manifolds
- Surface mount

### Accessories/Adapters

- Gauges
- Shut off valve
- Integrated shut off valve
- Integrated relief valve
- Purge block
- Excess flow valve
- Solenoid
- Transducer
- Other

## CUSTOM DESIGNS & SOLUTIONS

Not every system is the same, off-the-shelf items may not be ideal for certain kinds of applications. Please contact us if you don't see a standard Premier product that meets your needs; we will be glad to assist you with a custom design or modification.

Our engineering team is highly responsive with years of regulator design experience, enabling us to turn around custom designs quickly and efficiently. The process of





designing and manufacturing custom, high-quality regulators has been the core of our business for many years, and we look forward to collaborating with you to create innovative solutions.

## MODIFICATION & CUSTOMIZATION OPTIONS

- A wide selection of materials (with varying weights, strengths, degrees of corrosion resistance, etc.) flow capacities, and inlet/outlet pressure ranges.
- Optional port alignments, port sizes/types
- Products suited for pressure ranges from vacuum to 20,000 PSIG+.
- Optional laser etched parts.
- A variety of venting options (non-venting, captured venting, self-venting, etc.)
- Designs for use with harsh & reactive media (hypergolic propellants, supercritical fluids, etc.)
- Dome and air-loaded regulators for use with electro-pneumatic controllers for precision and automation.
- A variety of mounting options to integrate seamlessly into your desired application: surface mounting, panel nuts, panel mounting brackets, flanges, etc.
- Optional laminar flow clean bench assembly, testing, and packaging.
- Optional material certifications.
- A wide selection of accessories/adapters:
  - Gauges
  - Shut off valves
  - Integrated shut off valves
  - Integrated relief valves
  - Purge blocks
  - Excess flow valves
  - Solenoids
  - Transducers
  - and more







# HIGH PRESSURE. PRESSURE REDUCING REGULATORS.

SERIES	FEATURES	MAX INLET PRESSURE	FLOW CAPACITY	BODY MATERIAL
<b>3400 SERIES</b> 	<ul style="list-style-type: none"> <li>• Great sensitivity</li> <li>• Large elastomeric diaphragm</li> <li>• Self-venting and non-venting options</li> <li>• Optional panel mounting bracket</li> </ul>	6000 psig / 413.7 bar	Cv: 0.08 Cv: 0.20	2024-T351 Aluminum  SAE 360 brass  316 Stainless Steel
<b>3500 SERIES</b> 	<ul style="list-style-type: none"> <li>• Designed for gas media</li> <li>• Piston sensed</li> <li>• 15 micron sintered 316 SST inlet filter</li> <li>• Piston Sensed</li> <li>• Non-venting</li> <li>• Optional acorn nut (preset outlet pressure)</li> <li>• Three knob styles</li> <li>• Minimal soft goods</li> </ul>	6000 psig / 413.7 bar	Cv: 0.06 Cv: 0.2	6061-T6 Aluminum, Nickel plated  SAE 360 brass, Nickel Plated  303 Stainless Steel  316 Stainless Steel  Monel®
<b>3500DL SERIES</b> 	<ul style="list-style-type: none"> <li>• Designed for gas media</li> <li>• Dome loaded</li> <li>• 15 micron sintered 316 SST inlet filter</li> <li>• Piston Sensed</li> <li>• Captured venting</li> <li>• Compatible with electro-pneumatic controllers</li> <li>• 1:1 loader</li> </ul>	6000 psig / 413.7 bar	Cv: 0.06 Cv: 0.2	6061-T6 Aluminum, Clear Anodized  303 Stainless Steel  316 Stainless Steel
<b>3500AL SERIES</b> 	<ul style="list-style-type: none"> <li>• Designed for gas media</li> <li>• Air loaded</li> <li>• Piston Sensed</li> <li>• Captured venting</li> <li>• Compatible with electro-pneumatic controllers</li> <li>• Load ratios: 1:2, 1:3, 1:4</li> <li>• 2 or 4 port designs</li> </ul>	6000 psig / 413.7 bar	Cv: 0.06 Cv: 0.2	6061-T6 Aluminum, Clear Anodized  303 Stainless Steel  316 Stainless Steel

Monel® is a registered trademark of Special Metals Corporation.

# HIGH PRESSURE. PRESSURE REDUCING REGULATORS.

SERIES	FEATURES	MAX INLET PRESSURE	FLOW CAPACITY	BODY MATERIAL
<b>6500 SERIES</b> 	<ul style="list-style-type: none"> <li>Hydraulic</li> <li>Piston Sensed</li> <li>Non-venting</li> <li>Optional acorn nut (preset outlet pressure)</li> <li>Minimal soft goods</li> <li>3 knob styles: basic, fluted, and tee handle</li> </ul>	6000 psig / 413.7 bar	Cv: 0.06 Cv: 0.2	6061-T6 Aluminum, Nickel plated SAE 360 brass, Nickel Plated 303 Stainless Steel 316 Stainless Steel Monel®
<b>6500DL SERIES</b> 	<ul style="list-style-type: none"> <li>Hydraulic</li> <li>Dome loaded (1:1)</li> <li>Piston Sensed</li> <li>Captured venting</li> <li>Compatible with electro-pneumatic controllers</li> <li>1000 psig (68.95 bar) max dome load</li> </ul>	6000 psig / 413.7 bar	Cv: 0.06 Cv: 0.2	6061-T6 Aluminum, Clear Anodized 303 Stainless Steel 316 Stainless Steel
<b>6500AL SERIES</b> 	<ul style="list-style-type: none"> <li>Hydraulic</li> <li>Air loaded</li> <li>Piston Sensed</li> <li>Captured venting</li> <li>Compatible with electro-pneumatic controllers</li> <li>Load ratios: 1:2, 1:3, 1:4</li> <li>2 or 4 port designs</li> </ul>	6000 psig / 413.7 bar	Cv: 0.06 Cv: 0.2	6061-T6 Aluminum, Clear Anodized 303 Stainless Steel 316 Stainless Steel
<b>4600 SERIES</b> 	<ul style="list-style-type: none"> <li>Two stage</li> <li>Piston Sensed</li> <li>Stable set pressures</li> <li>1st stage valve seat: Vespel®</li> <li>2nd stage valve seat PCTFE</li> </ul>	6000 psig / 413.7 bar	Cv: 0.06 Cv: 0.2	316 Stainless Steel

*Vespel® is a registered trademark of E.I.dePont de Nemours and Company*





# HIGH PRESSURE. PRESSURE REDUCING REGULATORS.

SERIES	FEATURES	MAX INLET PRESSURE	FLOW CAPACITY	BODY MATERIAL
<b>3560 SERIES</b> 	<ul style="list-style-type: none"> <li>• Miniature Pneumatic</li> <li>• Captured-venting</li> <li>• Compact, piston sensed</li> <li>• Rear mounting holes std.</li> <li>• Vespel®/PEEK®/PCTFE seat</li> </ul>	10000 psig / 689.48 bar	Cv: 0.06 Cv: 0.2	316 Stainless Steel 303 Stainless Steel
<b>6560 SERIES</b> 	<ul style="list-style-type: none"> <li>• Miniature Hydraulic</li> <li>• Captured-venting</li> <li>• Compact, piston sensed</li> <li>• Rear mounting holes std.</li> <li>• Vespel® PEEK® or 17-4 &amp; 440C Stainless steel seat</li> </ul>	10000 psig / 689.48 bar	Cv: 0.06 Cv: 0.2	316 Stainless Steel 303 Stainless Steel
<b>3000 SERIES</b> 	<ul style="list-style-type: none"> <li>• Designed for gas media</li> <li>• Self venting, piston sensed</li> <li>• 15 micron sintered 316 SST inlet filter</li> <li>• Optional captured venting</li> <li>• Dome loaded &amp; Air loaded designs available</li> <li>• Optional acorn nut</li> </ul>	10000 psig / 689.5 bar (316 SST) 6000 psig / 413.7 bar (Brass & Aluminum)	Cv: 0.06 Cv: 0.2	SAE 360 brass 316 Stainless Steel 6061-T6 Aluminum
<b>3000AL SERIES</b> 	<ul style="list-style-type: none"> <li>• Designed for gas media</li> <li>• Air loaded, Piston Sensed</li> <li>• 15 micron sintered 316 SST inlet filter</li> <li>• Optional captured venting</li> <li>• Compatible with electro-pneumatic controllers</li> </ul>	10000 psig / 689.5 bar (316 SST) 6000 psig / 413.7 bar (Brass)	Cv: 0.06 Cv: 0.12 Cv: 0.2	SAE 360 brass 316 Stainless Steel
<b>3000DL SERIES</b> 	<ul style="list-style-type: none"> <li>• Designed for gas media</li> <li>• Dome loaded</li> <li>• Piston Sensed</li> <li>• Optional panel mounting nuts</li> <li>• Compatible with electro-pneumatic controllers</li> </ul>	10000 psig / 689.5 bar	Cv: 0.06 Cv: 0.12 Cv: 0.2 Cv: 0.3	316 Stainless Steel





Vespel® is a registered trademark of E.I.dePont de Nemours and Company  
PEEK® is a registered trademark of Victrex PLC



# HIGH PRESSURE. PRESSURE REDUCING REGULATORS.






SERIES	FEATURES	MAX INLET PRESSURE	FLOW CAPACITY	BODY MATERIAL
<b>6000 SERIES</b> 	<ul style="list-style-type: none"> <li>Hydraulic</li> <li>Piston Sensed</li> <li>Adjustable captured venting</li> <li>Air loaded design available</li> <li>Optional acorn nut</li> <li>Non-venting design available</li> </ul>	10000 psig / 689.5 bar	Cv: 0.06 Cv: 0.12 Cv: 0.2	316 Stainless Steel
<b>6000AL SERIES</b> 	<ul style="list-style-type: none"> <li>Hydraulic</li> <li>Piston Sensed</li> <li>Captured venting</li> <li>Air loaded</li> <li>Compatible with electro-pneumatic controllers</li> </ul>	10000 psig / 689.5 bar  6000 psig / 413.7 bar <i>(Brass)</i>	Cv: 0.06 Cv: 0.12 Cv: 0.2	316 Stainless Steel
<b>6000DL SERIES</b> 	<ul style="list-style-type: none"> <li>Hydraulic</li> <li>Piston Sensed</li> <li>Captured venting</li> <li>Dome loaded</li> <li>Compatible with electro-pneumatic controllers</li> </ul>	10000 psig / 689.5 bar	Cv: 0.06 Cv: 0.12 Cv: 0.2 Cv: 0.3	316 Stainless Steel
<b>6000FL SERIES</b> 	<ul style="list-style-type: none"> <li>Hydraulic</li> <li>Piston Sensed</li> <li>Raised face, welded neck flange connections</li> <li>1" nominal pipe size</li> <li>Captured venting</li> <li>ANSI B16.5 class 1500 forged flange</li> </ul>	3000 psig / 206.84 bar	Cv: 0.06	17-4 Stainless Steel 316 Stainless Steel

# HIGH PRESSURE. PRESSURE REDUCING REGULATORS.

SERIES	FEATURES	MAX INLET PRESSURE	FLOW CAPACITY	BODY MATERIAL
<b>3016 SERIES</b> 	<ul style="list-style-type: none"> <li>Designed for gas media</li> <li>High flow</li> <li>Piston Sensed</li> <li>Self venting</li> <li>Optional captured venting</li> <li>Air loaded &amp; dome loaded designs available</li> </ul>	10000 psig / 689.5 bar <i>(Stainless Steel)</i>  6000 psig / 413.7 bar <i>(Brass)</i>	Cv: 1.0 Cv: 2.0	SAE 360 brass 316 Stainless Steel 17-4 Stainless Steel Monel®
<b>3016AL SERIES</b> 	<ul style="list-style-type: none"> <li>High flow</li> <li>Piston Sensed</li> <li>Captured venting</li> <li>Air loaded</li> <li>Balanced stem for increased outlet pressure stability</li> </ul>	10000 psig / 689.5 bar <i>(See data sheet)</i>  6000 psig / 413.7 bar <i>(See data sheet)</i>	Cv: 1.0	SAE 360 brass 316 Stainless Steel 303 Stainless Steel
<b>3016DL SERIES</b> 	<ul style="list-style-type: none"> <li>High flow</li> <li>Piston Sensed</li> <li>Optional captured venting</li> <li>Dome loaded</li> </ul>	10000 psig / 689.5 bar <i>(See data sheet)</i>  6000 psig / 413.7 bar <i>(See data sheet)</i>	Cv: 1.0 Cv: 2.0	SAE 360 brass 316 Stainless Steel 303 Stainless Steel
<b>3020 SERIES</b> 	<ul style="list-style-type: none"> <li>Designed for gas media</li> <li>15 micron stainless steel valve cartridge filter</li> <li>Piston Sensed</li> <li>Captured venting</li> <li>Low-torque hand knob</li> </ul>	10000 psig / 689.5 bar <i>(Stainless Steel)</i>  6000 psig / 413.7 bar <i>(Brass)</i>	Cv: 0.06 Cv: 0.12 Cv: 0.2	SAE 360 brass 316 Stainless Steel

Vespel® is a registered trademark of E.I.dePont de Nemours and Company.  
 Monel® is a registered trademark of Special Metals Corporation.




# HIGH PRESSURE. PRESSURE REDUCING REGULATORS.

SERIES	FEATURES	MAX INLET PRESSURE	FLOW CAPACITY	BODY MATERIAL
<b>6020 SERIES</b> 	<ul style="list-style-type: none"> <li>Hydraulic</li> <li>Piston Sensed</li> <li>Captured venting</li> <li>Low-torque hand knob</li> </ul>	10000 psig / 689.5 bar <i>(Stainless Steel)</i>	Cv: 0.06 Cv: 0.12 Cv: 0.2	SAE 360 brass 316 Stainless Steel
<b>3023 SERIES</b> 	<ul style="list-style-type: none"> <li>Designed for gas media</li> <li>Captured venting</li> <li>Piston Sensed</li> <li>Vespel® seat</li> <li>Optional panel mounting nuts</li> </ul>	15000 psig / 1034.21 bar	Cv: 0.06 Cv: 0.12	316 Stainless Steel
<b>3023AL SERIES</b> 	<ul style="list-style-type: none"> <li>Designed for gas media</li> <li>Air loaded, Piston Sensed</li> <li>Compatible with electro-pneumatic controllers</li> <li>Captured venting</li> <li>Optional panel mounting nuts &amp; gauges</li> </ul>	15000 psig / 1034.21 bar	Cv: 0.06 Cv: 0.12	316 Stainless Steel
<b>6023 SERIES</b> 	<ul style="list-style-type: none"> <li>Hydraulic</li> <li>Piston sensed</li> <li>Captured venting</li> <li>Choice of 17-4 stainless steel or Vespel® seat</li> <li>Optional panel mounting nuts</li> </ul>	15000 psig / 1034.21 bar	Cv: 0.06 Cv: 0.12	316 Stainless Steel
<b>6023AL SERIES</b> 	<ul style="list-style-type: none"> <li>Hydraulic, air loaded</li> <li>Captured venting</li> <li>17-4 Stainless Steel, hardened or Vespel® seat</li> <li>Optional panel mounting nuts</li> </ul>	15000 psig / 1034.21 bar	Cv: 0.06 Cv: 0.12	316 Stainless Steel

# HIGH PRESSURE. PRESSURE REDUCING REGULATORS.






SERIES	FEATURES	MAX INLET PRESSURE	FLOW CAPACITY	BODY MATERIAL
<b>6023DL SERIES</b> 	<ul style="list-style-type: none"> <li>Hydraulic, dome loaded</li> <li>Captured venting</li> <li>17-4 Stainless Steel, hardened or Vespel® seat</li> <li>Optional panel mounting bracket</li> </ul>	15000 psig / 1034.21 bar	Cv: 0.06 Cv: 0.12 Cv: 0.20	316 Stainless Steel
<b>3025 SERIES</b> 	<ul style="list-style-type: none"> <li>Piston Sensed</li> <li>Pneumatic</li> <li>Captured venting</li> <li>17-4 Stainless Steel hardened valves</li> <li>Air loaded designs available</li> </ul>	20000 psig / 1378.95 bar	Cv: 0.04	17-4 Stainless Steel
<b>3025AL SERIES</b> 	<ul style="list-style-type: none"> <li>Piston Sensed</li> <li>Air loaded</li> <li>Captured venting</li> <li>17-4 Stainless Steel hardened valves</li> <li>Compatible w/ electro-pneumatic controllers</li> </ul>	20000 psig / 1378.95 bar	Cv: 0.043	17-4 Stainless Steel
<b>3025SL SERIES</b> 	<ul style="list-style-type: none"> <li>Four-tier air loader for compatibility with electropneumatic controllers, enabling piloted pressure control from an inert gas at low pressures (110 psig / 7.5 bar max air load)</li> <li>Captured Venting</li> </ul>	20000 psig / 1378.95 bar	Cv: 0.043	17-4 Stainless Steel

# HIGH PRESSURE. PRESSURE REDUCING REGULATORS.

SERIES	FEATURES	MAX INLET PRESSURE	FLOW CAPACITY	BODY MATERIAL
<b>6025 SERIES</b> 	<ul style="list-style-type: none"> <li>Hydraulic</li> <li>Piston Sensed</li> <li>Captured venting</li> <li>17-4 Stainless Steel hardened valves</li> <li>Air loaded designs available</li> </ul>	20000 psig / 1378.95 bar	Cv: 0.06 Cv: 0.12 Cv: 0.20	17-4 Stainless Steel
<b>6025AL SERIES</b> 	<ul style="list-style-type: none"> <li>Hydraulic, Piston Sensed</li> <li>Air loaded</li> <li>Captured venting</li> <li>17-4 SS hardened valves</li> <li>Compatible w/ electro-pneumatic controllers</li> </ul>	20000 psig / 1378.95 bar	Cv: 0.06 Cv: 0.12 Cv: 0.20	17-4 Stainless Steel
<b>RO.1 SERIES</b> 	<ul style="list-style-type: none"> <li>Roughing regulator</li> <li>Used with high pressure regulators for increased outlet pressure stability</li> <li>7/8" hex for easy torque</li> </ul>	10000 psig / 689.5 bar	Cv: 0.1	316 Stainless Steel 303 Stainless Steel

# HIGH FLOW.






## PRESSURE REDUCING REGULATORS.

SERIES	FEATURES	MAX INLET PRESSURE	FLOW CAPACITY	BODY MATERIAL
<b>2800N SERIES</b> 	<ul style="list-style-type: none"> <li>• Neoprene (<i>fabric reinforced</i>) diaphragm</li> <li>• PCTFE seat</li> <li>• Stable delivery pressure</li> <li>• Outlet pressures up to 150 PSIG / 10.34 bar</li> </ul>	3000 psig / 206.84 bar	Cv: 1.0 Cv: 2.0	SAE 360 Brass SAE 360 Brass, Nickel Plated 6061-T6 Aluminum 303 Stainless Steel
<b>2800S SERIES</b> 	<ul style="list-style-type: none"> <li>• 316 Stainless Steel or Neoprene (<i>fabric reinforced</i>) diaphragm</li> <li>• PCTFE or Vespel® seat</li> <li>• Outlet pressures up to 150 PSIG / 10.34 bar</li> </ul>	3000 psig / 206.84 bar	Cv: 1.0	SAE 360 Brass SAE 360 Brass, Nickel Plated 6061-T6 Aluminum, Clear Anodized 316 Stainless Steel
<b>2800P SERIES</b> 	<ul style="list-style-type: none"> <li>• Piston sensed for increased cycle life</li> <li>• PCTFE or PEEK® seat</li> <li>• Outlet pressures up to 500 PSIG / 34.47 bar</li> </ul>	3000 psig / 206.84 bar	Cv: 1.0 Cv: 2.0	SAE 360 Brass, Nickel Plated 6061-T6 Aluminum, Clear Anodized 316 Stainless Steel
<b>2800PDL SERIES</b> 	<ul style="list-style-type: none"> <li>• Piston sensed for increased cycle life</li> <li>• Dome load: 1:1, (1000 psig / 68.95 max load)</li> <li>• PCTFE seat</li> <li>• Non-venting</li> </ul>	3000 psig / 206.84 bar	Cv: 2.0	SAE 360 Brass 6061-T6 Aluminum, Clear Anodized 316 Stainless Steel
<b>2860PDL SERIES</b> 	<ul style="list-style-type: none"> <li>• Captured venting</li> <li>• Dome load: 1550 PSIG (106.9 bar) max</li> <li>• High flow</li> <li>• Piston sensed</li> <li>• PCTFE seat</li> </ul>	3000 psig / 206.84 bar	Cv: 2.0	SAE 360 Brass, Nickel Plated 6061-T6 Aluminum, Clear Anodized 316 Stainless Steel 303 Stainless Steel

Vespel® is a registered trademark of E.I. de Pont de Nemours and Company  
PEEK® is a registered trademark of Victrex PLC

# HIGH FLOW.






## PRESSURE REDUCING REGULATORS.

SERIES	FEATURES	MAX INLET PRESSURE	FLOW CAPACITY	BODY MATERIAL
<b>5000 SERIES</b> 	<ul style="list-style-type: none"> <li>Piston sensed</li> <li>Vespel® seat</li> <li>Outlet pressures up to 2500 psig / 6.89 bar</li> </ul>	4500 psig / 172.37 bar	Cv: 1.0 Cv: 2.0	303 Stainless Steel
<b>5033DL/5060DL SERIES</b> 	<ul style="list-style-type: none"> <li>Dome loaded</li> <li>Piston sensed</li> <li>1:1 dome load</li> <li>Optional external sensing port for improved accuracy</li> </ul>	10000 psig / 689.5 bar	Cv: 3.3 Cv: 6.0	316 Stainless Steel
<b>5050 SERIES</b> 	<ul style="list-style-type: none"> <li>Preset outlet pressures</li> <li>Diaphragm sensed</li> <li>Buna-n or Viton® seat</li> <li>Max preset outlet pressure 100 psig / 6.89 bar</li> </ul>	1000 psig / 68.95 bar	Cv: 5.0	303 Stainless Steel 316 Stainless Steel Aluminum, Clear Anodize Monel 400®
<b>5050DL SERIES</b> 	<ul style="list-style-type: none"> <li>Dome loaded</li> <li>Diaphragm sensed</li> <li>Buna-n seat</li> <li>1:1 dome load</li> <li>Max dome load 100 psig / 6.89 bar</li> </ul>	1000 psig / 68.95 bar	Cv: 5.0	303 Stainless Steel 316 Stainless Steel Aluminum, Clear Anodize
<b>5050DLB SERIES</b> 	<ul style="list-style-type: none"> <li>Dome loaded / bias spring</li> <li>Diaphragm sensed</li> <li>Buna-n seat</li> <li>dome load + bias spring pressure = outlet pressure</li> <li>Max dome load 100 psig / 6.89 bar</li> </ul>	1000 psig / 68.95 bar	Cv: 5.0	303 Stainless Steel 316 Stainless Steel Aluminum, Clear Anodize

Vespel® and Viton® are registered trademarks of E.I.dePont de Nemours and Company





# HIGH FLOW.

## PRESSURE REDUCING REGULATORS.

SERIES	FEATURES	MAX INLET PRESSURE	FLOW CAPACITY	BODY MATERIAL
<b>50120DL SERIES</b> 	<ul style="list-style-type: none"> <li>Dome loaded</li> <li>Piston sensed</li> <li>1:1 dome load</li> <li>Optional external sensing port for improved accuracy</li> </ul>	6000 psig / 413.7 bar	Cv: 12.0	316 Stainless Steel
<b>50200DL SERIES</b> 	<ul style="list-style-type: none"> <li>Flow capacity (Cv): 20.0</li> <li>1:1 dome load</li> <li>Piston sensed</li> <li>Optional external sensing port</li> </ul>	6000 psig / 413.7 bar <i>(See data sheet)</i>	Cv: 20.0	316 Stainless Steel
<b>50300DL SERIES</b> 	<ul style="list-style-type: none"> <li>Flow capacity (Cv): 30.0</li> <li>1:1 dome load</li> <li>Piston sensed</li> <li>Optional external sensing port</li> </ul>	6000 psig / 413.7 bar <i>(Cv 2.0)</i>	Cv: 30.0	316 Stainless Steel
<b>3016 SERIES</b> 	<ul style="list-style-type: none"> <li>Designed for gas media</li> <li>High flow</li> <li>Piston Sensed</li> <li>Self venting</li> <li>Optional captured venting</li> <li>Air loaded &amp; dome loaded designs available</li> </ul>	10000 psig / 689.5 bar <i>(See data sheet)</i>  6000 psig / 413.7 bar <i>(See data sheet)</i>	Cv: 1.0 Cv: 2.0	SAE 360 brass 316 Stainless Steel 303 Stainless Steel Monel 400®
<b>3016AL SERIES</b> 	<ul style="list-style-type: none"> <li>Designed for gas media</li> <li>High flow</li> <li>Piston Sensed</li> <li>Self venting</li> <li>Optional captured venting</li> <li>Spring loaded designs available</li> </ul>	10000 psig / 689.5 bar <i>(Cv 1.0)</i>  6000 psig / 413.7 bar <i>(Cv 2.0)</i>	Cv: 1.0 Cv: 2.0	316 Stainless Steel



# CYLINDER AND LINE. PRESSURE REDUCING REGULATORS.






SERIES	FEATURES	MAX INLET PRESSURE	FLOW CAPACITY	BODY MATERIAL
<b>2500 SERIES</b> 	<ul style="list-style-type: none"> <li>• Neoprene or 316 stainless steel diaphragm</li> <li>• Teflon® seat</li> <li>• Single stage</li> <li>• Outlet pressures up to 500 PSIG / 34.47 bar</li> <li>• 15 micron valve cartridge filter</li> <li>• Optional body diameters: 1.5", 1.75", &amp; 2.0"</li> </ul>	3500 psig / 241.3 bar	Cv: 0.08 Cv: 0.20	SAE 360 Brass SAE 360 Brass, Nickel Plated 6061-T6 Aluminum, Clear Anodized 316 Stainless Steel Monel®
<b>2500A SERIES</b> 	<ul style="list-style-type: none"> <li>• <b>Absolute pressure regulator</b></li> <li>• Control pressures from 50 mm Hg absolute (28" Hg) to 350 psig /24.1 bar</li> <li>• 316 Stainless Steel diaphragm</li> <li>• PFA Teflon® seat</li> <li>• Captured bonnet vent</li> </ul>	3000 psig / 206.84 bar	Cv: 0.08	SAE 360 Brass, Nickel Plated
<b>2500DL SERIES</b> 	<ul style="list-style-type: none"> <li>• <b>Dome loaded</b></li> <li>• Neoprene diaphragm (0.785:1 load ratio) or 316 stainless steel diaphragm (1:1 load ratio)</li> <li>• PCTFE seat</li> <li>• Outlet pressures up to 500 PSIG / 34.47 bar</li> </ul>	3000 psig / 206.84 bar	Cv: 0.08 Cv: 0.20	SAE 360 Brass, Nickel Plated SAE 360 Brass 316 Stainless Steel
<b>2500DLB SERIES</b> 	<ul style="list-style-type: none"> <li>• <b>Dome loaded /bias spring</b></li> <li>• 316 stainless steel diaphragm</li> <li>• PCTFE seat</li> <li>• Outlet pressures up to 500 PSIG / 34.47 bar</li> <li>• Preset spring bias</li> </ul>	3000 psig / 206.84 bar	Cv: 0.08 Cv: 0.20	316 Stainless Steel 303 Stainless Steel Monel 405® & Elgiloy® SAE 360 Brass, Nickel Plated

Teflon® is a registered trademark of E.I.dePont de Nemours and Company





Monel® is a registered trademark of Special Metals Corporation

Elgiloy® is a registered trademark of Elgiloy Specialty Metals Division, Combined Metals of Chicago L.L.C

# CYLINDER AND LINE. PRESSURE REDUCING REGULATORS.

SERIES	FEATURES	MAX INLET PRESSURE	FLOW CAPACITY	BODY MATERIAL
<b>2510 SERIES</b> 	<ul style="list-style-type: none"> <li>• <b>Reduced decaying inlet characteristic in a single stage design</b></li> <li>• Neoprene or 316 stainless steel diaphragm</li> <li>• PCTFE, or PTFE seat</li> <li>• Outlet pressures up to 500 PSIG / 34.47 bar</li> </ul>	3500 psig / 241.3 bar	Cv: 0.20	SAE 360 Brass, Nickel Plated SAE 360 Brass 303 Stainless Steel 316 Stainless Steel
<b>2550 SERIES</b> 	<ul style="list-style-type: none"> <li>• <b>High sensitivity</b></li> <li>• 316 stainless steel or neoprene diaphragm</li> <li>• Teflon® seat</li> <li>• Outlet pressures up to 250 PSIG / 17.24 bar</li> </ul>	3000 psig / 206.84 bar	Cv: 0.08 (standard) Cv: 0.2	SAE 360 Brass SAE 360 Brass, Nickel Plated 6061-T6 Aluminum, Clear Anodized 316 Stainless Steel
<b>2550A SERIES</b> 	<ul style="list-style-type: none"> <li>• <b>High sensitivity</b></li> <li>• <b>Full vacuum sub-atmospheric pressure control</b></li> <li>• Elgiloy® diaphragm</li> <li>• Captured bonnet vent</li> </ul>	3000 psig / 206.84 bar	Cv: 0.08 (standard)	316 Stainless Steel
<b>2600 SERIES</b> 	<ul style="list-style-type: none"> <li>• Piston sensed</li> <li>• Kel-F 81® seat</li> <li>• Outlet pressures up to 2500 PSIG / 172.37 bar</li> <li>• Optional panel mounting nut</li> <li>• Non-venting</li> </ul>	3500 psig / 241.32 bar	Cv: 0.08 Cv: 0.20 Cv: 0.30	SAE 360 Brass SAE 360 Brass, Nickel Plated 6061-T6 Aluminum, Clear Anodized 316 Stainless Steel 303 Stainless Steel
<b>2610 SERIES</b> 	<ul style="list-style-type: none"> <li>• Reduced decaying inlet characteristic</li> <li>• Piston sensed</li> <li>• PCTFE seat</li> <li>• Outlet pressures up to 2500 PSIG / 172.37 bar</li> <li>• Optional panel mounting nut</li> </ul>	3750 psig / 258.55 bar	Cv: 0.20	6061-T6 Aluminum, Clear Anodized 316 Stainless Steel 303 Stainless Steel





# CYLINDER AND LINE. PRESSURE REDUCING REGULATORS.

SERIES	FEATURES	MAX INLET PRESSURE	FLOW CAPACITY	BODY MATERIAL
<b>2660 SERIES</b> 	<ul style="list-style-type: none"> <li>• Self venting</li> <li>• Piston sensed</li> <li>• PCTFE main valve seat</li> <li>• Outlet pressures up to 1000 PSIG / 68.95 bar</li> <li>• Optional panel mounting nut</li> </ul>	3500 psig / 241.32 bar	Cv: 0.08 Cv: 0.20	SAE 360 Brass, Nickel Plated  303 Stainless Steel
<b>4500 SERIES</b> 	<ul style="list-style-type: none"> <li>• <b>Two stage design</b> for stable delivery pressures</li> <li>• 15 micron valve cartridge filter</li> <li>• Interstage relief valve</li> <li>• Neoprene or 316 stainless steel diaphragm</li> <li>• Optional piston sensed first stage</li> <li>• Teflon® seat</li> <li>• Outlet pressures up to 250 PSIG / 17.24 bar</li> </ul>	3000 psig / 206.84 bar	Cv: 0.08 Cv: 0.20	SAE 360 Brass SAE 360 Brass, Nickel Plated  6061-T6 Aluminum, Clear Anodized  316 Stainless Steel  Monel®
<b>6250 SERIES</b> 	<ul style="list-style-type: none"> <li>• 316 Stainless Steel diaphragm (<i>standard</i>)</li> <li>• PEEK®, or Vespel® seat</li> <li>• Outlet pressures up to 500 PSIG / 34.47 bar</li> <li>• Optional panel mounting nuts or bottom mount</li> </ul>	3500 psig / 241.3 bar	Cv: 0.20	6061-T6 Aluminum, Clear Anodized  SAE 360 Brass, Nickel Plated  303 Stainless Steel  316 Stainless Steel  Inconel 625
<b>6250DLB SERIES</b> 	<ul style="list-style-type: none"> <li>• 316 Stainless Steel diaphragm</li> <li>• PEEK® seat</li> <li>• 1:1 Dome load: up to 500 psig / 34.47 bar</li> <li>• Preset spring bias: up to 100 psig / 6.89 bar</li> <li>• Elastomer Free</li> </ul>	3000 psig / 206.84 bar	Cv: 0.08 Cv: 0.20	SAE 360 Brass, Nickel Plated  303 Stainless Steel 316 Stainless Steel  Monel®

Vespel® and Teflon® are registered trademarks of E.I. de Pont de Nemours and Company  
 PEEK® is a registered trademark of Victrex PLC  
 Monel® is a registered trademark of Special Metals Corporation

# TRANSPORTABLE.





## PRESSURE REDUCING REGULATORS.

SERIES	FEATURES	MAX INLET PRESSURE	FLOW CAPACITY	BODY MATERIAL
<b>2300N SERIES</b> 	<ul style="list-style-type: none"> <li>• Single stage</li> <li>• Neoprene or Viton® diaphragm</li> <li>• Neoprene seat</li> <li>• Outlet pressures up to 60 psig / 4.14 bar</li> </ul>	500 psig / 34.5 bar  <i>(dependent upon configuration)</i>	Cv: 0.04	SAE 360 Brass  6061-T6 Aluminum, Clear Anodized
<b>2310C SERIES</b> 	<ul style="list-style-type: none"> <li>• Single stage</li> <li>• Viton® or neoprene diaphragm</li> <li>• PFA Teflon® seat</li> <li>• Outlet pressures up to 60 psig / 4.14 bar</li> <li>• Stainless steel piercing tip</li> <li>• Reduced decaying inlet characteristic</li> <li>• Integrated relief valve</li> <li>• Adjusting knob with locking-nut</li> </ul>	3000 psig / 206.84 bar	Cv: 0.025	SAE 360 Brass  6061-T6 Aluminum, Clear Anodized
<b>2310N SERIES</b> 	<ul style="list-style-type: none"> <li>• Single stage</li> <li>• Neoprene diaphragm</li> <li>• PFA Teflon® seat</li> <li>• Reduced decaying inlet characteristic</li> <li>• Adjusting knob with locking-nut</li> </ul>	3000 psig / 206.8 bar	Cv: 0.025	6061-T6 Aluminum, Clear Anodized
<b>2300S SERIES</b> 	<ul style="list-style-type: none"> <li>• Single stage</li> <li>• Elastomer free</li> <li>• Elgiloy® diaphragm</li> <li>• PTFE seat</li> <li>• Outlet pressures up to 150 psig /10.34 bar</li> </ul>	3000 psig / 206.84 bar	Cv: 0.05	SAE 360 Brass, Nickel Plated  6061-T6 Aluminum, Nickel Plated  316 Stainless Steel  303 Stainless Steel

*Viton® and Teflon® are registered trademarks of E.I.dePont de Nemours and Company*

# TRANSPORTABLE.

## PRESSURE REDUCING REGULATORS.

SERIES	FEATURES	MAX INLET PRESSURE	FLOW CAPACITY	BODY MATERIAL
<b>2300C SERIES</b> 	<ul style="list-style-type: none"> <li>Designed for use w/ disposable gas cartridges</li> <li>Robust stainless steel piercing tip</li> <li>Integrated relief valve</li> <li>Adjusting knob w/ locking nut</li> </ul>	3500 psig / 241.3 bar	Cv: 0.04	SAE 360 Brass 6061-T6 Aluminum, Clear Anodized
<b>2700 SERIES</b> 	<ul style="list-style-type: none"> <li>Piston sensed</li> <li>Teflon® seat</li> <li>Outlet pressures up to 60 psig / 4.14 bar</li> <li>Factory preset flow settings from 0.25 liters/min to 9.0 liters/min</li> <li>Wide variety of shut off valve options</li> </ul>	3000 psig / 206.84 bar	preset: 0.25 lpm - 9.0 lpm	SAE 360 Brass SAE 360 Brass, Nickel Plated 6061-T6 Aluminum, Clear Anodized 316 Stainless Steel 303 Stainless Steel
<b>2701 SERIES</b> 	<ul style="list-style-type: none"> <li>Piston sensed</li> <li>PTFE seat</li> <li>Standard preset control pressure: 40-80 psig (2.76 - 5.52 bar)</li> <li>Factory preset flow from 0.1 to 4.0 liters/min</li> <li>Wide variety of shut off valve options</li> </ul>	3000 psig / 206.84 bar	preset: 0.1 slpm - 4.0 slpm	SAE 360 Brass SAE 360 Brass, Nickel Plated 6061-T6 Aluminum, Clear Anodized 316 Stainless Steel 303 Stainless Steel
<b>2780 SERIES</b> 	<ul style="list-style-type: none"> <li>Piston sensed</li> <li>Compact and light-weight</li> <li>Teflon® seat</li> <li>Outlet pressures up to 60 psig / 4.14 bar</li> <li>Factory preset flow settings from 0.25 liters/min to 7.0 liters/min</li> </ul>	1000 psig / 68.95 bar	preset: 0.25 lpm - 7.0 lpm	SAE 360 Brass SAE 360 Brass, Nickel Plated 6061-T6 Aluminum, Clear Anodized 303 Stainless Steel

Teflon® is a registered trademark of E.I. dePont de Nemours and Company,




# TRANSPORTABLE.

## PRESSURE REDUCING REGULATORS.

SERIES	FEATURES	MAX INLET PRESSURE	FLOW CAPACITY	BODY MATERIAL
<b>2900 SERIES</b> 	<ul style="list-style-type: none"> <li>Adjustable Click stop, 12 position, variable flow settings from 0 to 8.0 lpm</li> <li>Teflon® seat</li> <li>Standard preset control pressure 15 psig / 1.03 bar</li> <li>Integral relief valve</li> <li>Optional two-stage design</li> </ul>	3500 psig / 241.3 bar	0.3, 0.5, 1.0, 1.5, 2.0, 2.5, 3.0, 5.0, 6.0, 7.0, 8.0 SLPM	6061-T6 Aluminum, Clear Anodized
<b>4300N SERIES</b> 	<ul style="list-style-type: none"> <li><b>Two stage regulator</b></li> <li>1st stage piston, 2nd stage neoprene or viton® diaphragm</li> <li>Teflon® &amp; neoprene seats</li> <li>Outlet pressures up to 100 PSIG / 6.89 bar</li> <li>Precise stable delivery pressure even as the supply pressure decreases</li> <li>Low internal volume</li> </ul>	3000 psig / 206.84 bar	Cv: 0.04	6061-T6 Aluminum, Clear Anodized  303 Stainless Steel
<b>4300S SERIES</b> 	<ul style="list-style-type: none"> <li><b>Two stage regulator</b></li> <li>1st stage piston, 2nd stage Elgiloy® diaphragm</li> <li>Teflon® seats</li> <li>Outlet pressures up to 100 PSIG / 6.89 bar</li> <li>Precise stable delivery pressure even as the supply pressure decreases</li> <li>Low internal volume</li> </ul>	3000 psig / 206.84 bar	Cv: 0.04	SAE 360 Brass, Nickel Plated  6061-T6 Aluminum, Clear Anodized  303 Stainless Steel  316 Stainless Steel  Monel®
<b>4700 SERIES</b> 	<ul style="list-style-type: none"> <li><b>Two stage design</b> for stable delivery pressures</li> <li>40 micron integral inlet filter</li> <li>Preset, fixed flow</li> <li>Piston sensed</li> <li>Teflon® seat</li> </ul>	3000 psig / 206.84 bar	preset: 0.25 lpm - 9.0 lpm	SAE 360 Brass  SAE 360 Brass, Nickel Plated  6061-T6 Aluminum, Clear Anodized  303 Stainless Steel

Teflon® and Viton® are registered trademarks of E.I. de Pont de Nemours and Company,  
Elgiloy® is a registered trademark of Elgiloy Specialty Metals Division, Combined Metals of Chicago L.L.C.






# SPECIALTY. PRESSURE REGULATORS.

SERIES	FEATURES	MAX INLET PRESSURE	FLOW CAPACITY	BODY MATERIAL
<b>4902 SERIES</b> 	<ul style="list-style-type: none"> <li>• Demand flow regulator</li> <li>• Diaphragm Sensed (Buna-n or Viton®)</li> <li>• The unique high flow capability allows multiple analyzers on a single docking station</li> <li>• Integral relief valve</li> <li>• 40 micron stainless steel inlet filter</li> </ul>	3000 psig / 206.82 bar	3.0 lpm @ 3" H <sub>2</sub> O  up to 8 lpm with increased vacuum	6061-T6 Aluminum, Clear Anodized  303 Stainless Steel  SAE 360 Brass, Nickel Plated
<b>4903 SERIES</b> 	<ul style="list-style-type: none"> <li>• Demand flow regulator</li> <li>• Diaphragm Sensed (Buna-n or Viton®)</li> <li>• Compact size (2" diameter)</li> <li>• 40 micron stainless steel inlet filter</li> <li>• Stainless steel body &amp; wetted components provide minimum degradation to cylinder gases.</li> </ul>	3000 psig / 206.82 bar	Permits the flow of gas at less than 3" H <sub>2</sub> O	303 Stainless Steel  6061-T6 Aluminum, Clear Anodize  SAE 360 Brass, Nickel Plated
<b>4050 SERIES</b> 	<ul style="list-style-type: none"> <li>• Two stage</li> <li>• High sensitivity</li> <li>• Adjustable within 0.2 inches H<sub>2</sub>O / 0.007 psig of target pressure on the 0-2 psig control pressure config.</li> <li>• Optional panel mounting nuts</li> </ul>	3000 psig / 206.82 bar	15 lpm	6061-T6 Aluminum, Clear Anodized  Stainless Steel  SAE 360 Brass

*Viton® is a registered trademark of E.I.dePont de Nemours and Company*







# HIGH PRESSURE. BACK PRESSURE REGULATORS.

SERIES	FEATURES	MAX INLET PRESSURE	FLOW CAPACITY	BODY MATERIAL
<b>3100 SERIES</b> 	<ul style="list-style-type: none"> <li>Designed for gas media</li> <li>Piston sensed</li> <li>Vespel®, PEEK®, or PCTFE seat</li> <li>Optional panel mounting bracket</li> </ul>	10000 psig / 689.5 bar <i>(Stainless Steel)</i> 6000 psig / 413.7 bar <i>(Brass)</i>	Cv: 0.03 Cv: 0.06 Cv: 0.14 Cv: 0.2	316 Stainless Steel SAE 360 Brass
<b>3100AL SERIES</b> 	<ul style="list-style-type: none"> <li>Air loaded, Piston sensed</li> <li>Vespel® or PEEK® seat</li> <li>Optional panel mounting bracket</li> <li>Compatible with electro-pneumatic controllers</li> </ul>	10000 psig / 689.5 bar <i>(Stainless Steel)</i> 6000 psig / 413.7 bar <i>(Brass)</i>	Cv: 0.06 Cv: 0.14 Cv: 0.2	316 Stainless Steel SAE 360 Brass
<b>3100DL SERIES</b> 	<ul style="list-style-type: none"> <li>Designed for gas media</li> <li>Dome loaded, Piston sensed</li> <li>Vespel® main valve seat</li> <li>Compatible with electro-pneumatic controllers</li> </ul>	6000 psig / 413.7 bar	Cv: 0.06 Cv: 0.14 Cv: 0.2	316 Stainless Steel SAE 360 Brass
<b>6100 SERIES</b> 	<ul style="list-style-type: none"> <li>Hydraulic</li> <li>Piston sensed</li> <li>Choice of seat: Vespel®, 316 Stainless Steel, PEEK®, or 17-4 Stainless Steel hardened</li> <li>Optional panel mounting bracket</li> </ul>	10000 psig / 689.5 bar <i>(Stainless Steel)</i> 6000 psig / 413.7 bar <i>(Brass)</i>	Cv: 0.03 Cv: 0.06 Cv: 0.14 Cv: 0.2	316 Stainless Steel 17-4 Stainless Steel
<b>6100AL SERIES</b> 	<ul style="list-style-type: none"> <li>Hydraulic, Piston Sensed</li> <li>Choice of seat: Vespel®, PEEK®, 316 SS or 17-4SS hardened</li> <li>Optional panel mounting bracket</li> </ul>	10000 psig / 689.5 bar <i>(Stainless Steel)</i> 6000 psig / 413.7 bar <i>(Brass)</i>	Cv: 0.06 Cv: 0.14 Cv: 0.2	316 Stainless Steel SAE 360 Brass

Vespel® is a registered trademark of E.I. de Pont de Nemours and Company  
 PEEK® is a registered trademark of Victrex PLC







# HIGH PRESSURE. BACK PRESSURE REGULATORS.

SERIES	FEATURES	MAX INLET PRESSURE	FLOW CAPACITY	BODY MATERIAL
<b>6100DL SERIES</b> 	<ul style="list-style-type: none"> <li>Hydraulic</li> <li>Piston Sensed</li> <li>Choice of seat: Vespel®, or 17-4 Stainless Steel</li> <li>Optional panel mounting bracket</li> <li>Compatible w/ electro pneumatic controllers</li> </ul>	6000 psig / 413.7 bar	Cv: 0.06 Cv: 0.14 Cv: 0.2  Cv 0.4 optional	316 Stainless Steel SAE 360 Brass
<b>3123 SERIES</b> 	<ul style="list-style-type: none"> <li>Designed for gas media</li> <li>Piston sensed</li> <li>Choice of seat: Vespel®, or PEEK®</li> <li>Optional panel mounting bracket</li> </ul>	15000 psig / 1034.21 bar	Cv: 0.06 Cv: 0.14 Cv: 0.2	316 Stainless Steel
<b>3123AL SERIES</b> 	<ul style="list-style-type: none"> <li>Designed for gas media</li> <li>Piston sensed</li> <li>Choice of seat: Vespel®, PEEK®, 316 Stainless Steel, or 17-4 Stainless Steel</li> <li>Optional panel mounting bracket</li> </ul>	15000 psig / 1034.21 bar	Cv: 0.06 Cv: 0.14 Cv: 0.2	316 Stainless Steel
<b>6123 SERIES</b> 	<ul style="list-style-type: none"> <li>Hydraulic</li> <li>Piston sensed</li> <li>Choice of seat: Vespel®, PEEK®, 316 Stainless Steel, or 17-4 Stainless Steel</li> <li>Optional panel mounting bracket</li> </ul>	15000 psig / 1034.21 bar	Cv: 0.06 Cv: 0.14 Cv: 0.2	316 Stainless Steel





Vespel® is a registered trademark of E.I. dePont de Nemours and Company  
 PEEK® is a registered trademark of Victrex PLC

# HIGH PRESSURE. BACK PRESSURE REGULATORS.

SERIES	FEATURES	MAX INLET PRESSURE	FLOW CAPACITY	BODY MATERIAL
<b>3116 SERIES</b> 	<ul style="list-style-type: none"> <li>• High flow</li> <li>• Piston Sensed</li> <li>• Surface mounting optional</li> </ul>	10000 psig / 689.48 bar  <i>(dependent on body material)</i>	Cv: 1.0 Cv: 2.0	316 Stainless Steel  17-4 Stainless Steel
<b>6116 SERIES</b> 	<ul style="list-style-type: none"> <li>• High flow</li> <li>• Hydraulic</li> <li>• Piston Sensed</li> <li>• Surface mounting optional</li> </ul>	10000 psig / 689.48 bar  <i>(dependent on body material)</i>	Cv: 1.0 Cv: 2.0	316 Stainless Steel  17-4 Stainless Steel
<b>3125 SERIES</b> 	<ul style="list-style-type: none"> <li>• High pressure, 20K</li> <li>• Piston Sensed</li> <li>• Fluted hand knob</li> <li>• Ball-bearing loader</li> <li>• Optional panel mounting bracket, panel mounting nuts or surface mounting</li> </ul>	20000 psig / 1378.95 bar	Cv: 0.03 Cv: 0.06 Cv: 0.14 Cv: 0.20	316 Stainless Steel
<b>6125 SERIES</b> 	<ul style="list-style-type: none"> <li>• High pressure, 20K</li> <li>• Hydraulic</li> <li>• Piston Sensed</li> <li>• Fluted hand knob</li> <li>• Ball-bearing loader</li> <li>• Optional panel mounting bracket, panel mounting nuts or surface mounting</li> </ul>	20000 psig / 1378.95 bar	Cv: 0.03 Cv: 0.06 Cv: 0.14 Cv: 0.20	316 Stainless Steel




## MISC.

### BACK PRESSURE REGULATORS.

SERIES	FEATURES	FLOW CAPACITY	BODY MATERIAL
<p><b>2100 SERIES</b></p> 	<ul style="list-style-type: none"> <li>• 316 stainless steel, Viton®, or BUNA-N diaphragm</li> <li>• Max control pressure of 500 psig / 34.5 bar</li> <li>• PFA seat</li> <li>• Optional metal to metal seat</li> </ul>	<p>Cv: 0.14 Cv: 0.2</p>	<p>316 Stainless Steel 303 Stainless Steel SAE 360 Brass SAE 360 Brass, Nickel Plated</p>
<p><b>2100DLB SERIES</b></p> 	<ul style="list-style-type: none"> <li>• Dome loaded / bias spring</li> <li>• Elastomer free</li> <li>• Max load pressure of 500 psig / 34.5 bar</li> <li>• PCTFE seat</li> <li>• Preset spring bias up to 100 psig / 6.89 bar</li> </ul>	<p>Cv: 0.14 Cv: 0.2</p>	<p>316 Stainless Steel</p>
<p><b>2400 SERIES</b></p> 	<ul style="list-style-type: none"> <li>• High sensitivity</li> <li>• Viton® diaphragm with stainless steel liner</li> <li>• Viton® seat</li> <li>• Optional panel mounting nut</li> <li>• Control pressures up to 24 psig / 1.72 bar</li> </ul>	<p>Cv: 0.6</p>	<p>6061-T6 Aluminum, Nickel Plated 303 Stainless Steel</p>
<p><b>2400DL SERIES</b></p> 	<ul style="list-style-type: none"> <li>• Dome loaded, high sensitivity</li> <li>• Viton® diaphragm</li> <li>• Viton® seat</li> <li>• 1.3 to 1 dome load</li> <li>• Cracking pressure: 0-75 PSIG (0-5.17 bar)</li> </ul>	<p>Cv: 0.6</p>	<p>303 Stainless Steel</p>





## MISC.

### BACK PRESSURE REGULATORS.

SERIES	FEATURES	FLOW CAPACITY	BODY MATERIAL
<b>5150 SERIES</b> 	<ul style="list-style-type: none"> <li>• High Flow / Low Pressure</li> <li>• Piston sensed</li> <li>• Compact, non-rising stem</li> <li>• Control pressures up to 200 psig / 13.79 bar</li> </ul>	Cv: 5.0	6061-T6 Aluminum, Clear Anodized 303 Stainless Steel 316 Stainless Steel
<b>5150AL SERIES</b> 	<ul style="list-style-type: none"> <li>• High Flow / Low Pressure</li> <li>• Air Loaded</li> <li>• PTFE seat</li> <li>• Piston sensed</li> <li>• 100 psig / 6.89 bar max load</li> <li>• Control pressures up to 600 psig / 41.37 bar</li> </ul>	Cv: 5.0	6061-T6 Aluminum, Clear Anodized 303 Stainless Steel 316 Stainless Steel
<b>P91W SERIES</b> 	<ul style="list-style-type: none"> <li>• Dome loaded mity mite replacement</li> <li>• Gylon® 3522 diaphragm</li> <li>• Control pressures up to 3000 psig / 206.8 bar</li> <li>• Optional precharge isolation valve</li> </ul>	Cv: 0.38 Cv: 0.17	316 Stainless Steel 2024-T4 Aluminum





*Gylon® is a registered trademark of Garlock, Inc.*

# VALVES. AND ACCESSORIES.



SERIES	FEATURES	MAX INLET PRESSURE	SEAT MATERIAL	BODY MATERIAL
<b>AO VALVES</b> 	<ul style="list-style-type: none"> <li>• High operating pressures</li> <li>• Low actuation pressure: 70 psig / 4.8 bar</li> <li>• Cv: 0.8 max</li> <li>• Stainless steel body</li> <li>• Compatible with electro-pneumatic controllers</li> <li>• Optional solenoid adapter</li> </ul>	20000 psig / 1378.95 bar  <i>(dependent upon configuration)</i>	Vespel®	316 Stainless Steel 303 Stainless Steel C693 Eco Brass
<b>STAINLESS STEEL SHUT OFF VALVES</b> 	<ul style="list-style-type: none"> <li>• 17-4 stainless steel valve stem</li> <li>• Cv: 0.25</li> <li>• Optional integrated burst disks and relief valves</li> <li>• Optional dip tube</li> </ul>	3000 psig / 206.82 bar	PCTFE or PEEK®	316 Stainless Steel
<b>MINIATURE BRASS SHUT OFF VALVES</b> 	<ul style="list-style-type: none"> <li>• 303 stainless steel valve stem</li> <li>• Cv: 0.25</li> <li>• Metal to metal seal</li> </ul>	3000 psig / 206.82 bar	SAE 360 Brass	SAE 360 Brass
<b>EXCESS FLOW PREVENTION VALVES</b> 	<ul style="list-style-type: none"> <li>• Automatically shut off the flow of gas when flow exceeds a preset level. Factory adjustable flow trip point</li> <li>• Convenient integrated bypass valve/reset slider</li> <li>• Complete shut off when tripped (no bleed)</li> <li>• High Sensitivity model</li> </ul>	3000 psig / 206.82 bar  <i>(dependent upon configuration)</i>		SAE 360 Brass 303 Stainless Steel 6061-T6 Aluminum, Clear Anodized

Vespel® is a registered trademarks of E.I.dePont de Nemours and Company



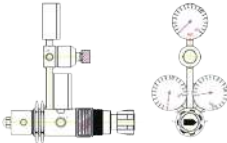
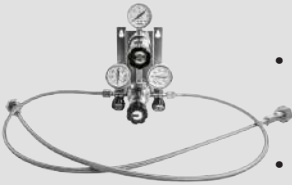
# VALVES. AND ACCESSORIES.

SERIES	FEATURES	MAX INLET PRESSURE	SEAT MATERIAL	BODY MATERIAL
<b>FLOW SIGHT TUBE VALVE</b> 	<ul style="list-style-type: none"> <li>Acrylic flow indicator</li> <li>Needle style shut off valve</li> </ul>	600 psig / 41.37 bar		SAE 360 Brass
<b>SAMPLING CYLINDERS</b> 	<ul style="list-style-type: none"> <li>Seamless 316 stainless steel cylinders</li> <li>316 stainless steel inlet and outlet valves</li> <li>50 cc, 150cc, 300cc, 500cc cylinders</li> <li>Optional pressure relief devices</li> </ul>	1800 psig / 124.11 bar <i>(cylinders)</i>  3000 psig / 206.82 bar <i>(valves)</i>	PCTFE valve seats	316 Stainless Steel <i>(cylinders &amp; valves)</i>
<b>70A SERIES</b> 	<ul style="list-style-type: none"> <li>High pressure valve</li> <li>Angle configuration</li> <li>Low torque at high pressures</li> <li>Bubble-tight shutoff</li> </ul>	10000 psig / 689.5 bar	PCTFE PTFE PEEK® Vespel® SP-1	316 Stainless Steel  SAE 360 Brass
<b>70AB SERIES</b> 	<ul style="list-style-type: none"> <li>High pressure valve</li> <li>Bleed/vent valve enables users to bleed pressures downstream down to zero.</li> <li>Low torque at high pressures</li> <li>Bubble-tight shutoff</li> </ul>	10000 psig / 689.5 bar	PCTFE PTFE PEEK® Vespel® SP-1	316 Stainless Steel  SAE 360 Brass

# VALVES. AND ACCESSORIES.



SERIES	FEATURES	MAX INLET PRESSURE	SEAT MATERIAL	BODY MATERIAL
<p><b>70G SERIES</b></p> 	<ul style="list-style-type: none"> <li>• High pressure valve</li> <li>• Globe configuration</li> <li>• Low torque at high pressures</li> <li>• Bubble-tight shutoff</li> </ul>	<p>10000 psig / 689.5 bar</p>	<p>Vespel® SP-1</p>	<p>316 Stainless Steel</p>
<p><b>PA32 SERIES</b></p> 	<ul style="list-style-type: none"> <li>• Pneumatically actuated</li> <li>• High pressure 3/2 valve</li> <li>• Normally open or closed</li> <li>• Actuates at pressures as low as 100 psig (6.89 bar)</li> <li>• High process pressures for heavy actuation loads</li> </ul>	<p>3000 psig / 206.82 bar</p>		<p>300 Series Stainless Steel</p>

# MANIFOLDS AND CHANGEOVERS. GAS DELIVERY SYSTEMS.

SERIES	STANDARD COMPONENTS	MAX INLET PRESSURE	MAX PROCESS FLOW RATE	BODY MATERIAL
<b>CR2500 SERIES</b> 	<ul style="list-style-type: none"> <li>One stainless steel diaphragm changeover regulator</li> </ul>	3000 psig / 206.84 bar	Cv: 0.08	SAE 360 Brass 316 Stainless Steel 6061-T6 Aluminum, Clear Anodized
<b>ACS2500 SERIES</b> 	<ul style="list-style-type: none"> <li>2 - Premier 2500 Series, single stage regulators</li> <li>Integrated relief valve</li> <li>Stainless steel mounting bracket</li> </ul>	3000 psig / 206.84 bar  <i>dependent upon configuration</i>	Cv: 0.20	SAE 360 Brass SAE 360 Brass, Nickel Plated 6061-T6 Aluminum, Clear Anodized 316 Stainless Steel
<b>CS2300 SERIES</b> 	<ul style="list-style-type: none"> <li>1 - Premier changeover regulator</li> <li>1 - Premier 2300 Series, line regulator</li> <li>2 - Panel Mounting Nuts</li> </ul>	3000 psig / 206.84 bar  <i>dependent upon configuration</i>	Cv: 0.08	SAE 360 Brass SAE 360 Brass, Nickel Plated 6061-T6 Aluminum, Clear Anodized 316 Stainless Steel
<b>CS2500 SERIES</b> 	<ul style="list-style-type: none"> <li>1 - Premier changeover regulator</li> <li>1 - Premier 2500 Series line regulator</li> <li>1 - Stainless Steel mounting Bracket with 4 - holes for 1/4" screws</li> <li>2 - Check valves in Stainless Steel or Brass</li> </ul>	3000 psig / 206.84 bar  <i>dependent upon configuration</i>	Cv: 0.08	SAE 360 Brass SAE 360 Brass, Nickel Plated 6061-T6 Aluminum, Clear Anodized 316 Stainless Steel



# MANIFOLDS AND CHANGEOVERS. GAS DELIVERY SYSTEMS.

SERIES	STANDARD COMPONENTS	MAX INLET PRESSURE	MAX PROCESS FLOW RATE	BODY MATERIAL
 <p><b>M2500 SERIES</b></p>	<ul style="list-style-type: none"> <li>• 1 Premier 2500 Series, two stage regulator</li> <li>• 1 Stainless Steel mounting Bracket with 4 holes for 1/4" screws</li> <li>• Check valve(s) in brass or stainless steel</li> </ul>	3000 psig / 206.84 bar  <i>dependent upon configuration</i>	3.5 SLPM	SAE 360 Brass  SAE 360 Brass, Nickel Plated  316 Stainless Steel
 <p><b>M4500 SERIES</b></p>	<ul style="list-style-type: none"> <li>• 1 Premier 4500 Series, two stage regulator</li> <li>• 1 Stainless Steel mounting Bracket with 4 holes for 1/4" screws</li> <li>• Check valve(s) in brass or stainless steel</li> </ul>	3000 psig / 206.84 bar  <i>dependent upon configuration</i>	Cv: 0.08	SAE 360 Brass  SAE 360 Brass, Nickel Plated  6061-T6 Aluminum, 316 Stainless Steel

# **PRESSURE REDUCING REGULATORS**

## R0.1 SERIES

High Pressure, Roughing Regulator  
For Two Stage Conversion



High pressure R0.1 Series roughing regulators are single stage, piston sensed, pressure reducing regulators designed to combine with Premier high pressure regulators for increased outlet pressure stability.

Premier R0.1 Series roughing regulators easily thread into standard 1/4" NPT & SAE AS5202-04 inlet ports. Rated for inlet pressures up to 10000 psig, and Cv 0.10.

### FEATURES

- Significantly reduces supply pressure effect when combined with Premier high pressure regulators
- Cv 0.1 max
- Compatible with a wide range of Premier regulators
- 10000 psig max inlet pressure
- Compact design
- 7/8" hex for easy torque
- Machined bar stock body, bonnet and piston eliminates porosity found in castings

**SOME APPLICATIONS WILL REQUIRE A CUSTOM SOLUTION.**  
CONTACT PREMIER INDUSTRIES TO REQUEST A MODIFICATION  
OR A CUSTOM DESIGN.

# RO.1 SERIES

High Pressure, Roughing Regulator  
For Two Stage Conversion

## SPECIFICATIONS

- **MAXIMUM INLET PRESSURE:**
  - 10000 PSIG (689.5 bar)
- **OUTLET PRESSURE (NON-ADJUSTABLE):**
  - 700 psig - 2000 psig (48.3 bar - 137.9 bar)
  - 200 psig - 500 psig (13.79 bar - 34.47 bar)
- **FLOW (Cv):** 0.10

## MATERIALS OF CONSTRUCTION

- **WETTED MATERIALS:**
  - 303 Stainless Steel
  - 316 Stainless Steel
- **SEALS:**
  - Viton-A®
  - Buna-N
  - EPDM
  - Low-temperature nitrile
  - Neoprene
- **MAIN VALVE SEAT OPTIONS:**
  - Vespel SP-1®
  - PEEK 450G®

## PORTING

- **INLET / OUTLET PORTING OPTIONS:**
  - 1/4" FNPT / 1/4" MNPT
  - SAE AS5202-04 / SAE AS4395-04
  - SAE AS5202-04 / 1/4" MNPT

## OPTIONAL ITEMS

- Private label

*Vespel SP-1® and Viton-A® are registered trademarks of  
E.I. duPont de Nemours and Company*

*PEEK 450G® is a registered trademark of Victrex PLC*

# RO.1 SERIES

High Pressure, Roughing Regulator  
For Two Stage Conversion

PART NUMBER: 30-10589-XXXX1



# RO.1 SERIES

High Pressure, Roughing Regulator  
For Two Stage conversion

PART #	-	1	2	3	4	5	-	X (special configuration)
30-10589	-						-	

1	WETTED MATERIALS
1	303 Stainless Steel
2	316 Stainless Steel
2	SEALS
1	Buna-N
2	Viton-A®
3	Low temp nitrile
4	Neoprene
5	EPDM
3	SEAT MATERIAL
1	Vespel SP-1®
2	PEEK 450G®

4	OUTLET PRESSURE
1	700-2000 PSIG <i>48.3 bar - 137.9 bar (non-adjustable)</i>
2	200-500 PSIG <i>13.79 bar - 34.47 bar (non-adjustable)</i>
5	PORTING (INLET/OUTLET)
1	1/4" FNPT / 1/4" MNPT
2	SAE AS5202-04 / SAE AS4395-04
3	SAE AS5202-04 / 1/4" MNPT <i>(not shown, 1.92 OAL)</i>
SPECIAL CONFIGURATION	
BLANK	Standard configuration

**10000 PSIG MAX INLET**

*The end user is responsible to ensure adequate fittings are used to connect regulator to plumbing.*

*Vespel SP-1® and Viton-A® are registered trademarks of E.I. duPont de Nemours and Company*

*PEEK 450G® is a registered trademark of Victrex PLC*

*Contact factory for material certifications. Fees may apply.*

## 2300C SERIES

Diaphragm Sensed, Gas Cartridge Compatible  
Pressure Reducing Regulators



The 2300C Series regulators are compact, single stage, diaphragm sensed regulators, designed for use with disposable gas cartridges. The 2300C Series features a 303 stainless steel piercing tip, integrated relief valve, and a selection of adapters for various threaded and unthreaded disposable gas cartridges. These regulators are designed to control pressures up to 3500 PSIG (241.3 bar), with a flow capacity (Cv) of 0.04. The 2300C is lightweight, economical, and reliable for all your disposable gas cylinder needs.

The Premier 2300C is suitable for common cartridge gases: carbon dioxide, argon, nitrogen gas, helium, air, nitrous oxide (brass option).

### FEATURES

- Specifically designed for use with disposable gas cartridges
- Robust stainless steel piercing tip
- Integrated relief valve
- Compact size
- Very competitive pricing
- Machined bar stock body, and bonnet eliminates porosity found in castings
- Adjusting knob with locking-nut

**SOME APPLICATIONS WILL REQUIRE A CUSTOM SOLUTION.**  
CONTACT PREMIER INDUSTRIES TO REQUEST A MODIFICATION  
OR A CUSTOM DESIGN.

## SPECIFICATIONS

- **MAX INLET PRESSURE:**
  - 3500 PSIG (241.3 bar)
- **OUTLET PRESSURE / RELIEF PRESSURE:**
  - 0 - 15 PSIG (0-1.03 bar) / 60 PSIG (4.14 bar)
  - 0 - 30 PSIG (0-2.07 bar) / 60 PSIG (4.14 bar)
  - 0 - 60 PSIG (0-4.14 bar) / 90 PSIG (6.21 bar)
  - Consult factory for other options
- **FLOW CAPACITY (Cv):** 0.04

## MATERIALS OF CONSTRUCTION

- **BODY & BONNET OPTIONS:**
  - 6061-T6 Aluminum, Clear Anodize
  - SAE 360 Brass
- **INLET ADAPTER:**
  - SAE 360 Brass (for threaded)
  - 303 Stainless Steel and Aluminum, Anodized (for cup adapter)
- **PIERCING TIP:** 303 Stainless Steel
- **DIAPHRAGM:** Fabric reinforced neoprene
- **O-RING MATERIAL:** Nitrile
- **MAIN VALVE HOUSING:** Brass
- **MAIN VALVE SPRING:** Stainless Steel
- **MAIN VALVE SEAL:** Nitrile
- **CARTRIDGE GASKET:** Polyurethane
- **RELIEF VALVE:** Stainless steel
- **OTHER NON-WETTED COMPONENTS:**
  - brass/aluminum/spring steel

## PORTING (1, 2, and 3 port options)

- **STANDARD INLET:**
  - CARTRIDGE ADAPTER WITH PIERCING TIP
    - 3/8-24 UNF
    - 7/16-20 UNF
    - 1/2-20 UNF
    - 5/8-18 UNF
    - 5/8-18 UNF- extra long
    - cup adapter for 16g CO<sub>2</sub> unthreaded cartridges
- **OTHER PORTS:**
  - 1/8-27 FNPT

## OPTIONS

- Anodized colors for aluminum bodies and bonnets
- Private label

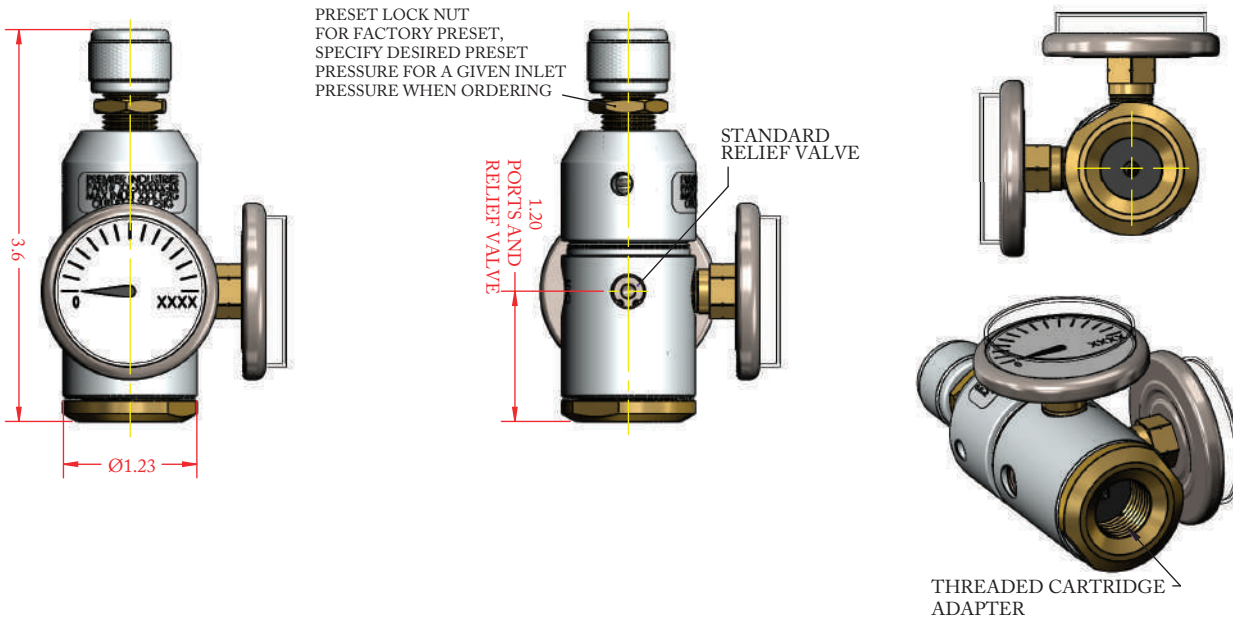


# 2300C SERIES

Diaphragm Sensed, Gas Cartridge Compatible  
Pressure Reducing Regulators

**PART NUMBER 50-12607**

*Standard design*



**PART NUMBER 50-12607-16-X1-1**

*shown below with unthreaded cartridge adapter cup*


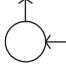
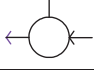
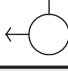


# 2300C SERIES

Diaphragm Sensed, Gas Cartridge Compatible  
Pressure Reducing Regulators

PART #	-	1	2	-	3	4	-	5
50-12607	-			-			-	

1	BODY & BONNET MATERIAL & FINISH
1	6061-T6 Aluminum <i>Clear Anodize</i>
2	SAE 360 Brass
2	INLET CARTRIDGE ADAPTER
1	3/8-24 UNF
2	7/16-20 UNF
3	1/2-20 UNF
4	5/8-18 UNF
5	5/8-18 UNF - extra long
6	Cup adapter for 16g CO <sub>2</sub> unthreaded cartridges
3	OUTLET PRESSURE / RELIEF PRESSURE
1	0 - 15 PSIG (0-1.03 bar) / 60 PSIG (4.14 bar)
2	0 - 30 PSIG (0-2.07 bar) / 60 PSIG (4.14 bar)
3	0 - 60 PSIG (0-4.14 bar) / 90 PSIG (6.21 bar)

4	PORTING
1	"S*" porting 
2	"H*" porting 
3	"A" porting 
4	"A*" porting 
5	GAUGES
1	No gauges
2	Include gauges
<p><i>Gauges not available on "S*" porting Inlet gauge only on "H*" porting option Inlet &amp; outlet gauge on "A" porting option Outlet gauge only on "A*" porting option</i></p>	

*Suitable for use with carbon dioxide, argon,  
nitrogen gas, helium, air, and nitrous oxide  
(brass option).*

*Carefully review construction materials and  
contact factory for use with other gases or  
mixtures. Contact factory if cartridge is  
non-standard.*

*Contact factory for material certifications.  
Fees may apply.*

## 2300N SERIES

Compact, Light Weight, Diaphragm Sensed  
Pressure Reducing Regulators



Premier 2300N Series regulators are compact, single staged, diaphragm sensed, general purpose regulators. 2300N Series regulators feature a neoprene or Viton® diaphragm and are designed for inlet pressures up to 500 PSIG (34.5 bar). They can be constructed with an integral shut off valve, and are available in a wide range of materials for the regulation of a broad range of media (*as compatible with the configured materials of construction*). Typical media may include: propane, butane, MAPP gas, calibration gases, and refrigerants among others. These compact, general purpose, cylinder regulators offer reliable performance in a compact, lightweight, and economical design.

### FEATURES

- Compact size
- Light weight (approx. 5 oz)
- Neoprene or Viton® diaphragm
- Optional integrated shut off/metering valve
- Economical pricing
- Cv: 0.04 (300 PSIG / 20.7 bar inlet )
- Machined bar stock body, and bonnet eliminates porosity found in castings
- Variety of porting options

**SOME APPLICATIONS WILL REQUIRE A CUSTOM SOLUTION.**  
CONTACT PREMIER INDUSTRIES TO REQUEST A MODIFICATION  
OR A CUSTOM DESIGN.

# 2300N SERIES

Compact, Light Weight, Diaphragm Sensed  
Pressure Reducing Regulators

## SPECIFICATIONS

- **MAX INLET PRESSURE:**
  - 500 PSIG (34.5 bar)  
(dependent upon configuration)
- **OUTLET PRESSURE RANGES:**
  - 0 - 15 PSIG (0-1.03 bar)
  - 0 - 30 PSIG (0-2.07 bar)
  - 0 - 60 PSIG (0-4.14 bar)
- **FLOW (Cv):** .04 (300 PSIG / 20.7 bar inlet)
- **LEAK RATE:** Bubble Tight
- **OPERATING TEMPERATURE:**
  - -40° F to 165° F
- **WEIGHT:** Approx. 5 oz.

## MATERIALS OF CONSTRUCTION

- **BODY OPTIONS:**
  - 6061-T6 Aluminum, Clear Anodized
  - SAE 360 Brass
- **BONNET OPTIONS:**
  - 6061-T6 Aluminum, Clear Anodized
  - SAE 360 Brass
  - Brass, Electroless Nickel Plated
- **DIAPHRAGM:** Neoprene, (Viton® optional)
- **VALVE SEAT:** Neoprene
- **SEALS:**
  - PTFE

## PORTING

- **INLET PORTING:**
  - 1/8 FNPT
  - 1/4 FNPT
  - CGA600 (bottom port only)
  - All CGA Connections Available:
    - CGA 165, 180, 320, 510, 580, 600, etc.
- **OUTLET PORTING:**
  - 1/8 FNPT

## OPTIONS

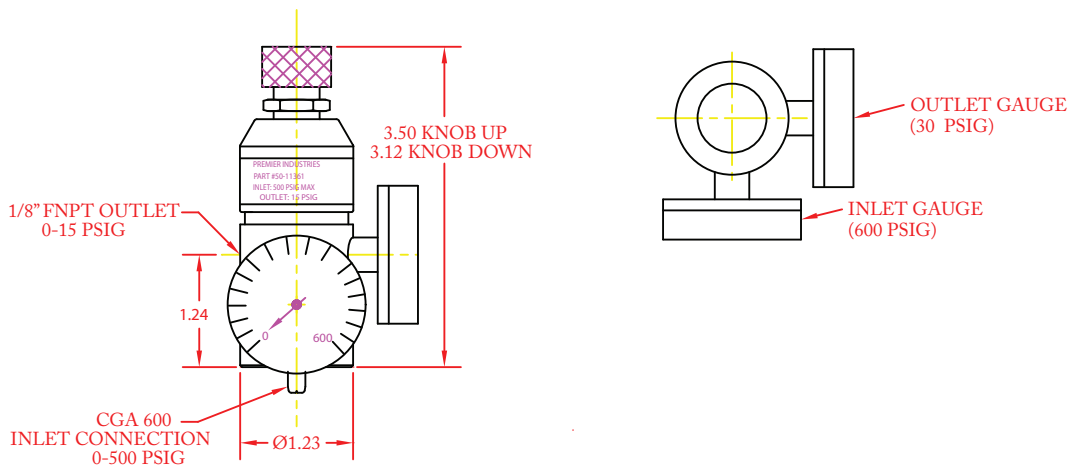
- Gauges (1/8 FNPT Porting): inlet, outlet, or both
- Inlet shut off/metering valve
- Relief valve
- Seat and sealing materials
- Anodized colors for aluminum bodies and bonnets
- Private label

*Viton® is a registered trademark of E.I. duPont de Nemours and Company  
Contact factory for material certifications. Fees may apply.*

# 2300N SERIES

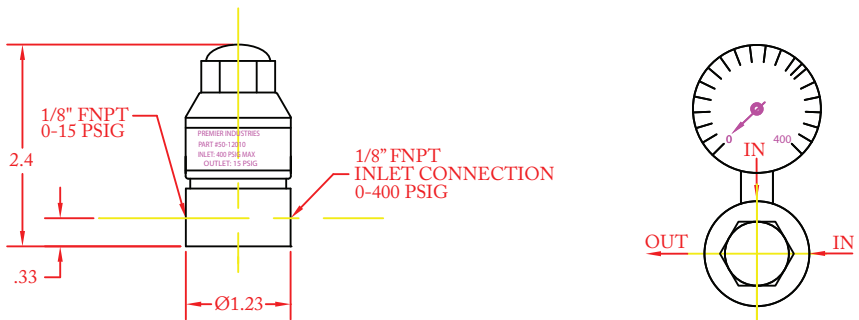
Compact, Light Weight, Diaphragm Sensed  
Pressure Reducing Regulators

## PART NUMBER 50-11361



## PART NUMBER 50-12010

*Tamper resistant acorn nut*



## 2300S SERIES

Compact, Light Weight, Diaphragm Sensed  
Pressure Reducing Regulators



Premier 2300S Series regulators are compact, single stage, diaphragm sensed, elastomer free, general purpose regulators. 2300S Series regulators feature an Elgiloy® diaphragm and are designed for inlet pressures up to 3000 PSIG (206.8 bar) and outlet pressures up to 100 PSIG (6.89 bar). These compact, general purpose, cylinder regulators offer reliable performance in a compact, lightweight design.

### FEATURES

- Compact & light weight
- 3000 PSIG / 206.8 bar inlet
- Elgiloy® diaphragm
- Economical pricing
- Elastomer free for low outgassing and superior chemical compatibility
- Cv: 0.05 max
- Machined bar stock body, and bonnet eliminates porosity found in castings

**SOME APPLICATIONS WILL REQUIRE A CUSTOM SOLUTION.**  
CONTACT PREMIER INDUSTRIES TO REQUEST A MODIFICATION  
OR A CUSTOM DESIGN.

# 2300S SERIES

Compact, Light Weight, Diaphragm Sensed  
Pressure Reducing Regulators

## SPECIFICATIONS

- **MAX INLET PRESSURE:**
  - 3000 PSIG (206.8 bar)
- **OUTLET PRESSURE RANGES:**
  - 0 - 15 PSIG (0-1.03 bar)
  - 0 - 30 PSIG (0-2.07 bar)
  - 0 - 50 PSIG (0-3.45 bar)
  - 0 - 75 PSIG (0-5.17 bar)
  - 0 - 100 PSIG (0-6.89 bar)
- **FLOW (Cv):** 0.05

## MATERIALS OF CONSTRUCTION

- **BODY OPTIONS:**
  - SAE 360 Brass, Nickel Plated
  - 316 Stainless Steel
- **BONNET OPTIONS:**
  - SAE 360 Brass, Nickel Plated (*standard*)
  - 316 Stainless Steel
- **DIAPHRAGM:** Elgiloy®
- **VALVE SEAT:** PTFE
- **MAIN VALVE / MAIN VALVE RETAINER:**
  - 316 Stainless Steel  
(*for 316 Stainless steel body options*)
  - 303 Stainless Steel  
(*for brass body option*)
- **SEALS:** PTFE
- **MAIN VALVE SPRING:**
  - 316 Stainless Steel

## PORTING (2, 3, and 4 port options)

- **STANDARD INLET:**
  - 1/8 FNPT (1 or 2)
- **OUTLET PORTING:**
  - 1/8 FNPT (1 or 2)

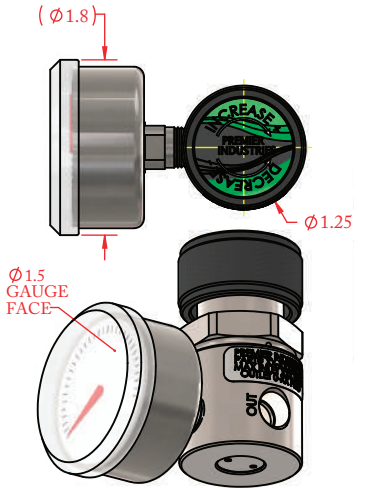
## OPTIONS

- **GAUGES** (1/8 FNPT Porting):
  - Stainless steel wetted components  
(*for stainless steel body option*)
  - Brass nickel plated wetted components  
(*for brass body options*)
- **INTEGRATED RELIEF VALVE** (*Optional*):
  - 316 Stainless Steel valve w/ Viton® seat  
(*for 316 Stainless steel body options*)
  - 303 Stainless Steel valve w/ Viton® seat  
(*for brass body option*)
- Preset outlet pressure
- Private label

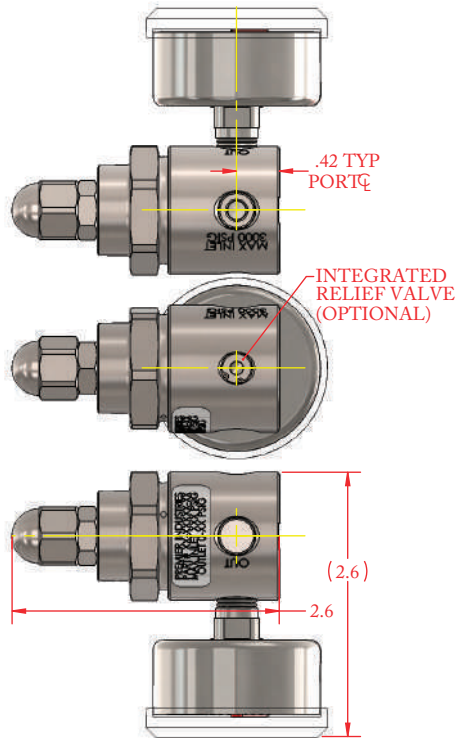
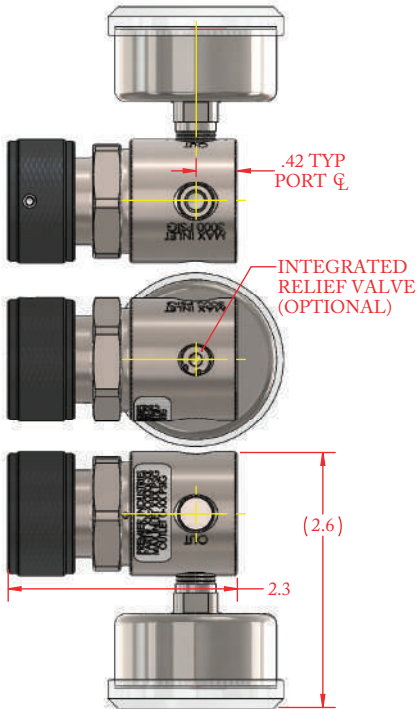
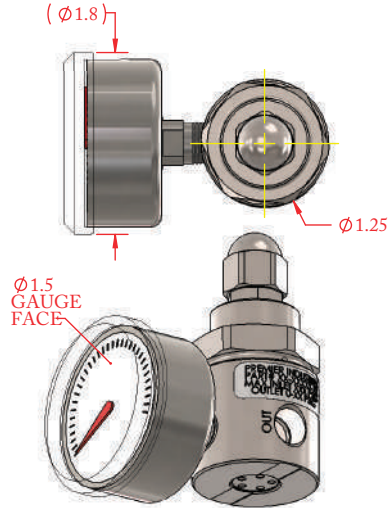
# 2300S SERIES

Compact, Light Weight, Diaphragm Sensed Pressure Reducing Regulators

**PART NUMBER 50-12771**


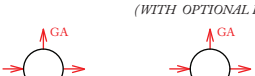
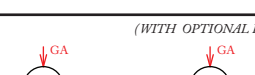
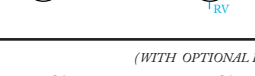
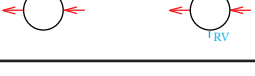



**PART NUMBER 50-12908**





PART #	-	1	2	-	3	-	4	5	-	MODS
50-12771	-			-		-			-	


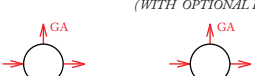
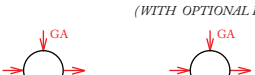
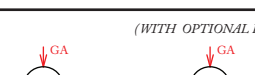

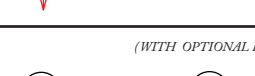
1	BODY/BONNET MATERIALS (MAX. INLET PRESSURE)	
1	SAE 360 Brass, Nickel Plated <i>(body &amp; bonnet)</i>	
5	316 Stainless Steel, cleaned per spec #515 <i>(body)</i> SAE 360 Brass, Nickel Plated <i>(bonnet)</i>	
7	316 Stainless Steel, cleaned per spec #515 <i>(body)</i> 316 Stainless Steel, cleaned per spec #515 <i>(bonnet)</i>	
2	BODY PORTING	
A	A porting, 3 port	 <i>(WITH OPTIONAL RELIEF VALVE)</i>
B	B porting, 3 port	 <i>(WITH OPTIONAL RELIEF VALVE)</i>
G	G porting, 3 port	 <i>(WITH OPTIONAL RELIEF VALVE)</i>
H	H porting, 3 port	 <i>(WITH OPTIONAL RELIEF VALVE)</i>
L	L porting, 4 port	 RELIEF VALVE NOT AVAILABLE ON L PORTING CONFIGURATION
S	S porting, 2 port	 <i>(WITH OPTIONAL RELIEF VALVE)</i>

3	OUTLET PRESSURE	RELIEF PRESSURE IF APPLICABLE
1	0-15 psig (0-1.03 bar)	60 psig (4.14 bar)
2	0-30 psig (0-2.07 bar)	60 psig (4.14 bar)
3	0-50 psig (0-3.45 bar)	90 psig (6.21 bar)
4	0-75 psig (0-5.17 bar)	90 psig (6.21 bar)
5	0-100 psig (0-6.89 bar)	relief valve not available
4	GAUGES	
0	None	
1	Include gauges*	
<p><i>*Gauges not available for 'S' porting configuration, *Both inlet &amp; outlet gauge on 'L' porting configuration *Outlet gauge only on 'A' and 'B' porting configurations *Inlet gauge only on 'G' and 'H' porting configurations</i></p>		
5	INTEGRATED RELIEF VALVE OPTIONAL	
0	No relief valve	
1	Include relief valve**	
<p><i>**Relief valve not available on 'L' porting configuration. **Relief valve not available if max outlet &gt; 75 psig.</i></p>		
MODIFICATIONS		
BLANK	Expected max supply > 1500 PSIG	
L	Expected max supply < 1500 PSIG* <i>*does not reduce pressure rating, optimizes performance for expected supplies under 1500 PSIG</i>	

Contact factory for material certifications. Fees may apply.

PART #	-	1	2	-	3	4	-	PRESET OUTLET
50-12908	-			-			-	

## PRESET OUTLET PRESSURE

1	BODY/BONNET MATERIALS (MAX. INLET PRESSURE)	
1	SAE 360 Brass, Nickel Plated (body & bonnet)	
5	316 Stainless Steel, cleaned per spec #515 (body) SAE 360 Brass, Nickel Plated (bonnet)	
7	316 Stainless Steel, cleaned per spec #515 (body) 316 Stainless Steel, cleaned per spec #515 (bonnet)	
2	BODY PORTING	
A	A porting, 3 port	
B	B porting, 3 port	
G	G porting, 3 port	
H	H porting, 3 port	
L	L porting, 4 port	
S	S porting, 2 port	

3	GAUGES
0	None
1	Include gauges*
<p><i>*Gauges not available for 'S' porting configuration, *Both inlet &amp; outlet gauge on 'L' porting configuration *Outlet gauge only on 'A' and 'B' porting configurations *Inlet gauge only on 'G' and 'H' porting configurations</i></p>	
4	INTEGRATED RELIEF VALVE OPTIONAL
0	No relief valve
1	Include relief valve**
<p><i>**Relief valve not available on 'L' porting configuration. **Relief valve not available if max outlet &gt; 75 psig.</i></p>	
PRESET OUTLET PRESSURE (XXX)	
XXX	Specify outlet pressure preset 'XXX' in psig. Minimum 10 psig ('010'). Maximum 150 psig ('150')
<p><b>IF REGULATOR INCLUDES A RELIEF VALVE, RELIEF SETTINGS ARE AS FOLLOWS:</b> <i>'XXX' ≤ 30 PSIG OUT / 60 PSIG RELIEF SETTING 30 &lt; 'XXX' ≤ 75 PSIG OUT / 90 PSIG RELIEF SETTING</i></p> <p><b>OUTLET SET AT 2000 PSIG INLET (UNLESS NOTED OTHERWISE ON WORK ORDER.)</b></p>	

Contact factory for material certifications. Fees may apply.

## 2310C SERIES

Diaphragm Sensed, Gas Cartridge Compatible  
Pressure Reducing Regulators



The 2310C Series regulators are compact, single stage, diaphragm sensed regulators, designed for use with disposable gas cartridges. The 2310C Series features a 303 stainless steel piercing tip, integrated relief valve, and a selection of adapters for various threaded and unthreaded disposable gas cartridges. These regulators are designed to control pressures up to 3000 PSIG (206.8 bar), with a flow capacity ( $\dot{C}_v$ ) of 0.025. The 2310C is lightweight, economical, and reliable for all your disposable gas cylinder needs.

The Premier 2310C Series pressure reducing regulators are part of a new family of Stable Set Pressure (SSP) regulators at Premier Industries that feature a significantly reduced supply pressure effect. The result: stable delivery pressure as the compressed gas source drains.

### FEATURES

- Reduced supply pressure effect when compared with typical single stage regulators
- Specifically designed for use with disposable gas cartridges
- Robust stainless steel piercing tip
- Integrated relief valve
- Compact size
- Very competitive pricing
- Machined bar stock body, and bonnet eliminates porosity found in castings
- Adjusting knob with locking-nut

**SOME APPLICATIONS WILL REQUIRE A CUSTOM SOLUTION.**  
CONTACT PREMIER INDUSTRIES TO REQUEST A MODIFICATION  
OR A CUSTOM DESIGN.

## SPECIFICATIONS

- **MAX INLET PRESSURE:**
  - 3000 PSIG (206.8 bar)
- **OUTLET PRESSURE / RELIEF PRESSURE:**
  - 0 - 15 PSIG (0-1.03 bar) / 40 PSIG (2.76 bar)
  - 0 - 30 PSIG (0-2.07 bar) / 60 PSIG (4.14 bar)
  - 0 - 60 PSIG (0-4.14 bar) / 90 PSIG (6.21 bar)
  - Consult factory for other options
- **FLOW CAPACITY (C<sub>v</sub>):** 0.025

## MATERIALS OF CONSTRUCTION

- **BODY & BONNET OPTIONS:**
  - 6061-T6 Aluminum, Clear Anodize
  - SAE 360 Brass
  - Consult factory for other options
- **PIERCING TIP:** 303 Stainless Steel
- **DIAPHRAGM & O-RING MATERIAL:**
  - Neoprene
  - Viton-A®
  - Consult factory for other options
- **VALVE SEAT:** PFA  
(other options available off the shelf)
- **SEAL BACKUP:**
  - PTFE
- **INLET CARTRIDGE ADAPTER:**
  - SAE 360 Brass
    - 3/8-24 FNPT
    - 7/16-20 FNPT
    - 1/2-20 FNPT
    - 5/8-18 FNPT

## PORTING (3 and 4 port options)

- **STANDARD INLET:**
  - **PIERCING TIP FOR:**
    - 3/8-24, 7/16-20, 1/2-20, 5/8-18 threaded cartridges
    - 16g CO<sub>2</sub> unthreaded cartridges
- **OUTLET PORTING:**
  - 1/8-27 FNPT

## OPTIONS

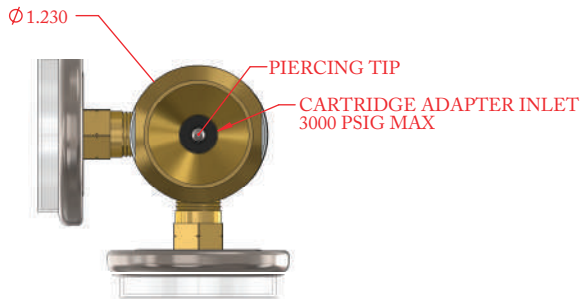
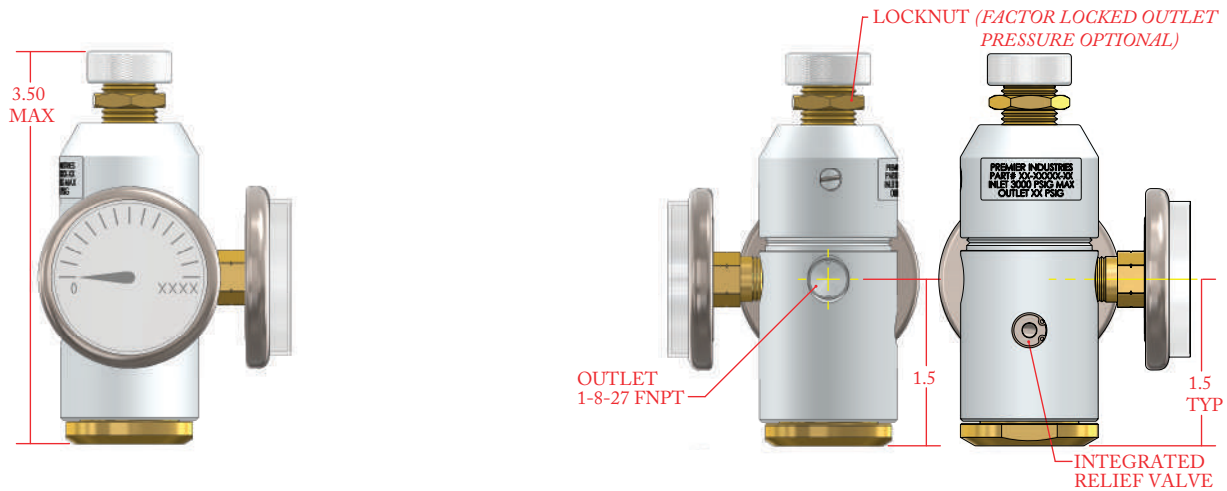
- Inlet Gauge (Standard)  
(brass socket, stainless steel case)
- Preset outlet pressure with tamper resistant acorn nut (covering the adjusting screw) P/N: 50-12179
- Anodized colors for aluminum bodies and bonnets
- Private label

Viton-A® is a registered trademark of E.I.duPont de Nemours and Company

# 2310C SERIES

Diaphragm Sensed, Gas Cartridge Compatible  
Pressure Reducing Regulators

PART NUMBER 50-12305 | *standard design*



PART #	-	1	2	3	4	5	-	6	7
50-12305	-						-		

1	BODY & BONNET MATERIAL & FINISH
1	6061-T6 Aluminum <i>Clear Anodize</i>
2	SAE 360 Brass
2	INLET CARTRIDGE ADAPTER
1	3/8-24 FNPT
2	7/16-20 FNPT
3	1/2-20 FNPT
4	5/8-18 FNPT
3	OUTLET PRESSURE / RELIEF PRESSURE
1	0 - 15 PSIG (0-1.03 bar) / 40 PSIG (2.76 bar)
2	0 - 30 PSIG (0-2.07 bar) / 60 PSIG (4.14 bar)
3	0 - 60 PSIG (0-4.14 bar) / 90 PSIG (6.21 bar)

4	DIAPHRAGM & O-RING MATERIAL
1	Neoprene
2	Viton-A®
5	GAUGES
1	Inlet gauge (no outlet gauge port)
2	Inlet & outlet gauge
3	None (inlet port plugged, no outlet gauge port)
4	Outlet gauge (inlet port plugged)
6 7	FACTORY LOCKED OUTLET PRESSURE
Blank	loose / unlocked
XX	Locked at XX psig outlet pressure. (e.g. 40 is locked at 40 psig out)

# 2310N SERIES

Diaphragm Sensed, Stable Set Pressure  
Pressure Reducing Regulators



Premier 2310N Series pressure reducing regulators are part of a new family of Stable Set Pressure (SSP) regulators from Premier Industries. The 2310N is a compact, diaphragm sensed, single stage regulator with new technology that enables a significantly reduced decaying inlet characteristic (*supply pressure effect*) when compared to typical single stage regulator designs. The result: increased stability in delivery pressure, in the compact design of a single stage. The Premier 2310N is fitted with a neoprene diaphragm, allowing for low droop in dynamic operation. The regulator features a max inlet of 3000 PSIG (*206.8 bar*).

## FEATURES

- Reduced decaying inlet characteristic (*supply pressure effect*) in a single stage design
- Compact & light-weight
- Economical pricing
- Flow (Cv) 0.025
- Neoprene diaphragm
- 3000 PSIG (*206.8 bar*) max inlet pressure
- Machined bar stock body, and bonnet eliminates porosity found in castings
- Adjusting knob with locking-nut

**SOME APPLICATIONS WILL REQUIRE A CUSTOM SOLUTION.**  
CONTACT PREMIER INDUSTRIES TO REQUEST A MODIFICATION  
OR A CUSTOM DESIGN.

# 2310N SERIES

Diaphragm Sensed, Stable Set Pressure  
Pressure Reducing Regulators

## SPECIFICATIONS

- **MAX INLET PRESSURE:**
  - 3000 PSIG (206.8 bar)
- **OUTLET PRESSURE RANGES:**
  - 0 - 20 PSIG (0-1.38 bar)
  - 0 - 60 PSIG (0-4.14 bar)
- **FLOW (Cv):** 0.025

## MATERIALS OF CONSTRUCTION

- **BODY OPTIONS:**
  - 6061-T6 Aluminum, Clear Anodize
  - *Consult factory for other options*
- **BONNET OPTIONS:**
  - 6061-T6 Aluminum, Clear Anodize
  - *Consult factory for other options*
- **DIAPHRAGM:** Neoprene
- **VALVE SEAT:** PFA
- **SEALS:**
  - Neoprene

## PORTING *(2, 3, and 4 port options)*

- **STANDARD INLET:**
  - 1/8-27 FNPT
- **OUTLET PORTING:**
  - 1/8-27 FNPT

## OPTIONS

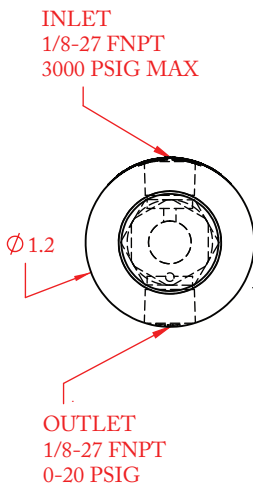
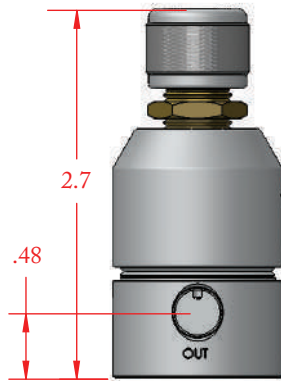
- Anodized colors for aluminum bodies and bonnets
- Private label



# 2310N SERIES

Diaphragm Sensed, Stable Set Pressure  
Pressure Reducing Regulators

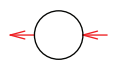
PART NUMBER 50-12143 | *standard design*



# 2310N SERIES

Diaphragm Sensed, Stable Set Pressure  
Pressure Reducing Regulators

PART #	-	1	2	3	-	4	5
50-12143	-				-		

1	BODY MATERIALS (MAX. INLET PRESSURE)
1	6061-T6 Aluminum, Clear Anodize
2	PORTING CONFIGURATION
1	 'S' porting
3	OUTLET PRESSURE
1	0-20 psig / 0-1.38 bar
4	0-60 psig / 0-4.14 bar

4	SEAL/DIAPHRAGM MATERIAL
1	Neoprene
5	GAUGES
1	None
<i>Gauges not available on 2 port configuration</i>	

Contact factory for material certifications. Fees may apply.

# 2310S SERIES

Diaphragm Sensed, Stable Set Pressure  
Pressure Reducing Regulators



The Premier 2310S is a diaphragm sensed, single stage regulator capable of significantly reducing the decaying inlet characteristic (supply pressure effect) that is typically characteristic of single stage regulator designs. The result: stable delivery pressures in the compact design of a single stage. An elastomer free design is available with an Elgiloy® diaphragm, PTFE seals, and a small internal volume for compatibility with high purity applications; the elgiloy diaphragm is conducive to high cycle applications and wide temperature swings. The Premier 2310S Series regulator is designed for inlet pressures up to 3000 PSIG (206.8 bar).

## FEATURES

- Reduced decaying inlet characteristic (*supply pressure effect*) in a single stage design
- Reduced contamination and outgassing with Elgiloy® diaphragm, stainless body, & stainless wetted parts
- Compact size
- Elastomer free option available
- Very competitive pricing
- Machined bar stock body, and bonnet eliminates porosity found in castings
- Elgiloy® diaphragm conducive to high cycle applications and wide temperature swings
- 2, 3, and 4 port designs

**SOME APPLICATIONS WILL REQUIRE A CUSTOM SOLUTION.**  
CONTACT PREMIER INDUSTRIES TO REQUEST A MODIFICATION  
OR A CUSTOM DESIGN.

## SPECIFICATIONS

- **MAX INLET PRESSURE:**
  - 3000 PSIG (206.8 bar)
- **OUTLET PRESSURE RANGES:**
  - 0 - 15 PSIG (0-1.03 bar)
  - 0 - 30 PSIG (0-2.07 bar)
  - 0 - 50 PSIG (0-3.45 bar)
  - 0 - 75 PSIG (0-5.17 bar)
  - 0 - 100 PSIG (0-6.89 bar)
  - 0 - 150 PSIG (0-10.34 bar)
- **WEIGHT:** Approx. 5 oz.
- **FLOW (Cv):** 0.05

## PORTING *(2, 3, and 4 port options)*

- **STANDARD INLET:**
  - 1/8-27 FNPT (1 or 2)
- **OUTLET PORTING:**
  - 1/8-27 FNPT (1 or 2)

## OPTIONS

- Gauges (*brass or stainless steel*)
- Private label

## MATERIALS OF CONSTRUCTION

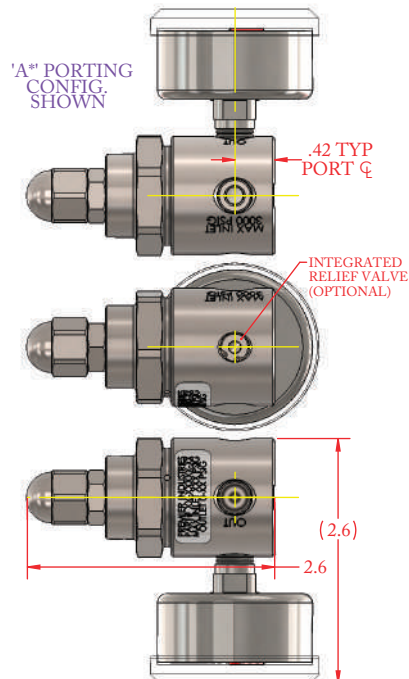
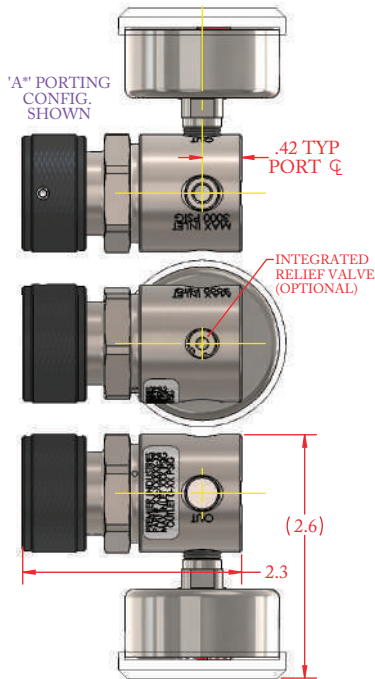
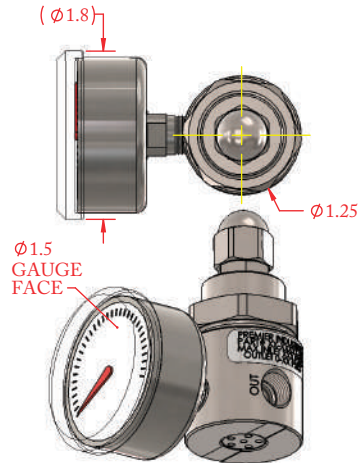
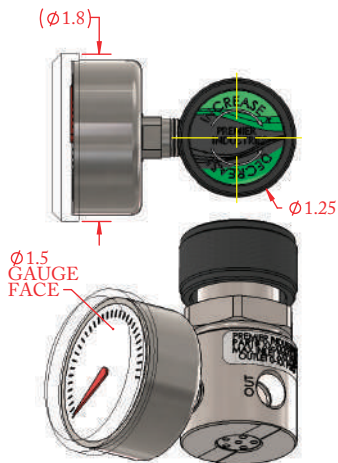
- **BODY OPTIONS:**
  - SAE 360 Brass, Nickel Plated
  - 316 Stainless Steel
- **BONNET OPTIONS:**
  - SAE 360 Brass, Nickel Plated (*standard*)
  - 316 Stainless Steel
- **DIAPHRAGM:** Elgiloy®
- **MAIN VALVE & MAIN VALVE RETAINER:**
  - 316 Stainless Steel (*316 stainless steel body option*)
  - 303 Stainless Steel (*all other body options*)
- **SEAT & OTHER SEALS:** PTFE
- **BALANCED SEAL RETAINER:**
  - 316 Stainless Steel
- **BALANCED SEAL:** Viton-A®
- **BALANCED SEAL BACKUP:** PTFE
- **OPTIONAL INTEGRAL RELIEF VALVE:**
  - 316 Stainless Steel (*316 stainless steel body*),  
*Viton-A® valve seat*
  - 303 Stainless Steel (*all other body options*),  
*Viton-A® valve seat*

# 2310S SERIES


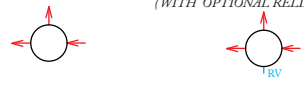


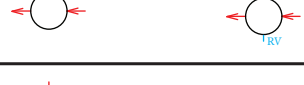
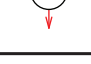
Diaphragm Sensed, Stable Set Pressure  
Pressure Reducing Regulators

PART NUMBER 50-12861 | *standard design*

PART NUMBER 50-12897 | *with tamper resistant acorn nut*



PART #	-	1	2	-	3	-	4	5
50-12861	-			-		-		


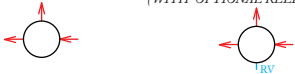




1	BODY/BONNET MATERIALS (MAX. INLET PRESSURE)	
1	SAE 360 Brass, Nickel Plated (body & bonnet)	
5	316 Stainless Steel, cleaned per spec #515 (body) SAE 360 Brass, Nickel Plated (bonnet)	
7	316 Stainless Steel, cleaned per spec #515 (body) 316 Stainless Steel, cleaned per spec #515 (bonnet)	
2	BODY PORTING	
S	S porting, 2 port	 (WITH OPTIONAL RELIEF VALVE)
A	A porting, 3 port	 (WITH OPTIONAL RELIEF VALVE)
B	B porting, 3 port	 (WITH OPTIONAL RELIEF VALVE)
G	G porting, 3 port	 (WITH OPTIONAL RELIEF VALVE)
H	H porting, 3 port	 (WITH OPTIONAL RELIEF VALVE)
L	L porting, 4 port	 RELIEF VALVE NOT AVAILABLE ON 'L' PORTING CONFIGURATION

3	OUTLET PRESSURE	RELIEF PRESSURE IF APPLICABLE
1	0-15 psig (0-1.03 bar)	60-90 psig (4.14-6.21 bar)
2	0-30 psig (0-2.07 bar)	60-90 psig (4.14-6.21 bar)
3	0-50 psig (0-3.45 bar)	90-120 psig (6.21-8.27 bar)
4	0-75 psig (0-5.17 bar)	90-120 psig (6.21-8.27 bar)
5	0-100 psig (0-6.89 bar)	220-260 psig (15.17- 7.93 bar)
6	0-150 psig (0-10.34 bar)	220-260 psig (15.17- 7.93 bar)
4	GAUGES	
0	None	
1	Include gauges	
<p><i>Gauges not available for 'S' porting configuration, Outlet gauge only on 'A' and 'B' configurations, Inlet gauge only on 'G' and 'H' porting configurations, Both inlet &amp; outlet gauge on 'L' porting configuration</i></p>		
5	INTEGRATED RELIEF VALVE OPTIONAL	
0	No relief valve	
1	Include relief valve	
<p><i>Relief valve not available on 'L' porting configuration.</i></p>		

Contact factory for material certifications. Fees may apply.

PART #	-	1	2	-	3	4	-	XXX
50-12897	-			-			-	

## PRESET OUTLET PRESSURE

1	BODY/BONNET MATERIALS (MAX. INLET PRESSURE)	
1	SAE 360 Brass, Nickel Plated (body & bonnet)	
5	316 Stainless Steel, cleaned per spec #515 (body) SAE 360 Brass, Nickel Plated (bonnet)	
7	316 Stainless Steel, cleaned per spec #515 (body) 316 Stainless Steel, cleaned per spec #515 (bonnet)	
2	BODY PORTING	
S	S porting, 2 port	 (WITH OPTIONAL RELIEF VALVE)
A	A porting, 3 port	 (WITH OPTIONAL RELIEF VALVE)
B	B porting, 3 port	 (WITH OPTIONAL RELIEF VALVE)
G	G porting, 3 port	 (WITH OPTIONAL RELIEF VALVE)
H	H porting, 3 port	 (WITH OPTIONAL RELIEF VALVE)
L	L porting, 4 port	 RELIEF VALVE NOT AVAILABLE ON 'L' PORTING CONFIGURATION

3	GAUGES
0	None
1	Include gauges
<p><i>Gauges not available for 'S' porting configuration, Outlet gauge only on 'A' and 'B' configurations, Inlet gauge only on 'G' and 'H' porting configurations, Both inlet &amp; outlet gauge on 'L' porting configuration</i></p>	
4	INTEGRATED RELIEF VALVE OPTIONAL
0	No relief valve
1	Include relief valve
<p><i>Relief valve not available on 'L' porting configuration.</i></p> <p><b>IF REGULATOR INCLUDES A RELIEF VALVE, RELIEF SETTINGS ARE AS FOLLOWS:</b></p> <p><i>'XXX' ≤ 30 PSIG OUT / 60 PSIG RELIEF SETTING; 30 &lt; 'XXX' ≤ 75 PSIG OUT / 90 PSIG RELIEF SETTING. 75 &lt; 'XXX' ≤ 100 / 160 PSIG RELIEF SETTING; 100 &lt; 'XXX' ≤ 150 / 225 PSIG RELIEF SETTING</i></p>	
XXX	PRESET OUTLET PRESSURE
<p><b>SPECIFY OUTLET PRESSURE PRESET 'XXX' IN PSIG.</b></p> <p>MINIMUM 10 PSIG ('010'), MAXIMUM 150 PSIG ('150').</p> <p><i>OUTLET SET AT 2000 PSIG INLET (UNLESS NOTED OTHERWISE ON WORK ORDER.)</i></p>	

Contact factory for material certifications. Fees may apply.

## 2500 SERIES

Single Stage, Diaphragm Sensed, General Purpose  
Pressure Reducing Regulators



Premier 2500 Series pressure reducing regulators are single stage, diaphragm sensed, general purpose cylinder and line regulators. Premier 2500 Series regulators are versatile, available with: multiple body diameters, materials, porting configurations, and many optional items (pressure relief valves, shut off valves etc). Models are available for both corrosive and non-corrosive service, fitted with your choice of stainless steel or neoprene diaphragm. Premier 2500 Series regulators feature a 15 micron valve cartridge filter. Premier 2500 Series regulators are rated for Cv 0.08, 0.20, and inlet pressures up to 3000 psig; models rated to 3500 psig are also available.

### FEATURES

- Compact size with optional body diameters of 1.5", and 1.98"
- Optional stainless steel diaphragm minimizes inboard diffusion of air into regulator (neoprene diaphragm also available)
- Reduced particle contamination with 15 micron valve cartridge filter
- Cv 0.08 or 0.20
- Optional integral needle style shut off valve
- Optional low profile hand knob
- Machined bar stock body, bonnet, and piston eliminates porosity found in castings

**SOME APPLICATIONS WILL REQUIRE A CUSTOM SOLUTION.**  
CONTACT PREMIER INDUSTRIES TO REQUEST A MODIFICATION  
OR A CUSTOM DESIGN.



## SPECIFICATIONS

- **MAXIMUM INLET PRESSURE:**
  - 3000 PSIG (206.8 bar) (standard)
  - 3500 PSIG (241.3 bar) (50-13375)
- **CONTROL PRESSURE RANGES:**
  - 0-10 PSIG (0 - 0.69 bar)
  - 0-25 PSIG (0 - 1.72 bar)
  - 0-50 PSIG (0 - 3.45 bar)
  - 0-100 PSIG (0 - 6.89 bar)
  - 0-250 PSIG (0 - 17.24 bar)
  - 0-500 PSIG (0 - 34.47 bar)
- **FLOW (Cv):** 0.08, or 0.20

## MATERIALS OF CONSTRUCTION

- **BODY OPTIONS:**
  - *Body diameters: 1.5" and 1.98"*
  - 316 Stainless Steel
  - SAE 360 Brass
  - SAE 360 Brass/Nickel Plated\*
  - *\*Contact factory for pricing*
  - 6061-T6 Aluminum
  - Monel®
- **BONNET OPTIONS:**
  - SAE 360 Brass
  - SAE 360 Brass/Nickel Plated
  - 6061-T6 Aluminum/Gold Anodize
  - Captured 6061-T6 Aluminum/Nickel Plated
- **DIAPHRAGM OPTIONS:**
  - Neoprene
  - 316 Stainless Steel
  - Elgiloy® (Monel® body option)
- **DIAPHRAGM SEAL:** PTFE
- **VALVE SEAT:** PTFE

## PORTING

- **INLET/OUTLET OPTIONS**
  - 1/8 FNPT
  - 1/4-18 NPT (on 1.98" diameter bodies)
  - SAE J1926-4 (on 1.98" diameter bodies)

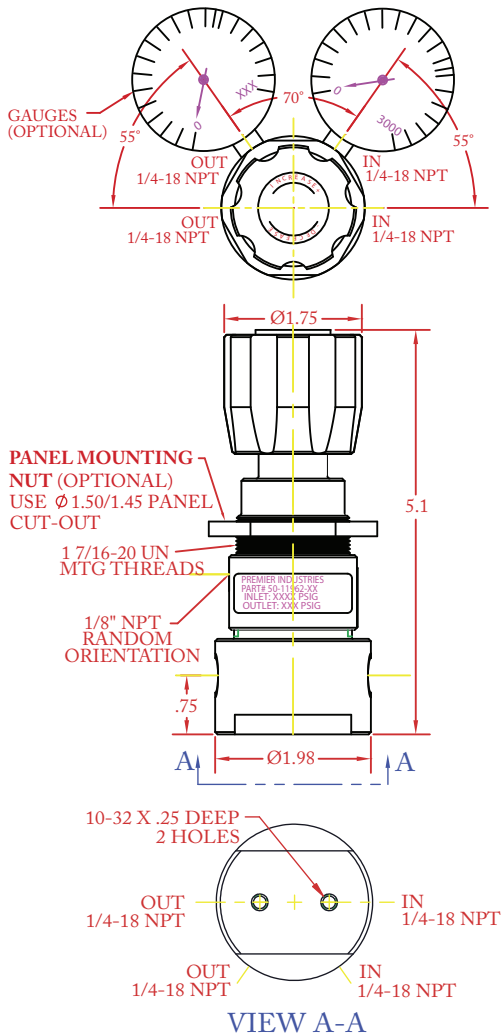
## OPTIONS

- Gauges
- Integral shut off valve (P/N: 50-12619)
- Private label
- Panel mounting nut(s) (P/N: 50-10240)
- Pressure relief valves
- CGA connections
- Dome loaded design (P/N: 50-11789)
- Ø1.98 diameter body without mounting holes (P/N: 50-11470)
- Ø1.98 diameter body w/ mounting holes & Kel-F seat/seals (P/N: 50-11962.XXX.KF.KF)

Monel® is a registered trademark of Special Metals Corporation  
Elgiloy® is a registered trademark of Elgiloy Special Metals Division,  
Combined Metals of Chicago L.L.C

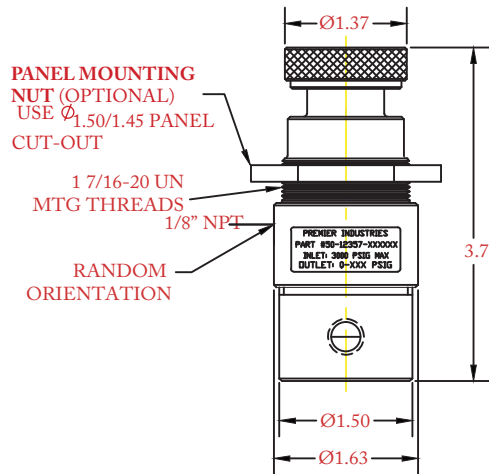
## PART NUMBER 50-11962

see selector chart for porting options



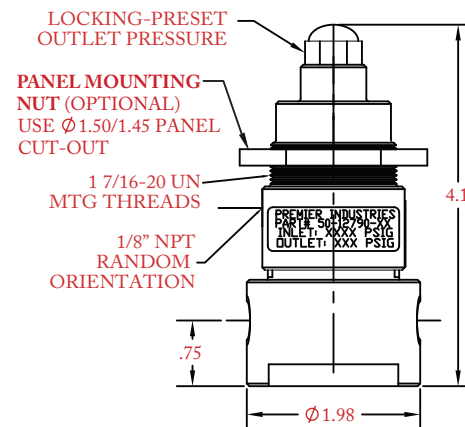
## PART NUMBER 50-12357

see selector chart for porting options



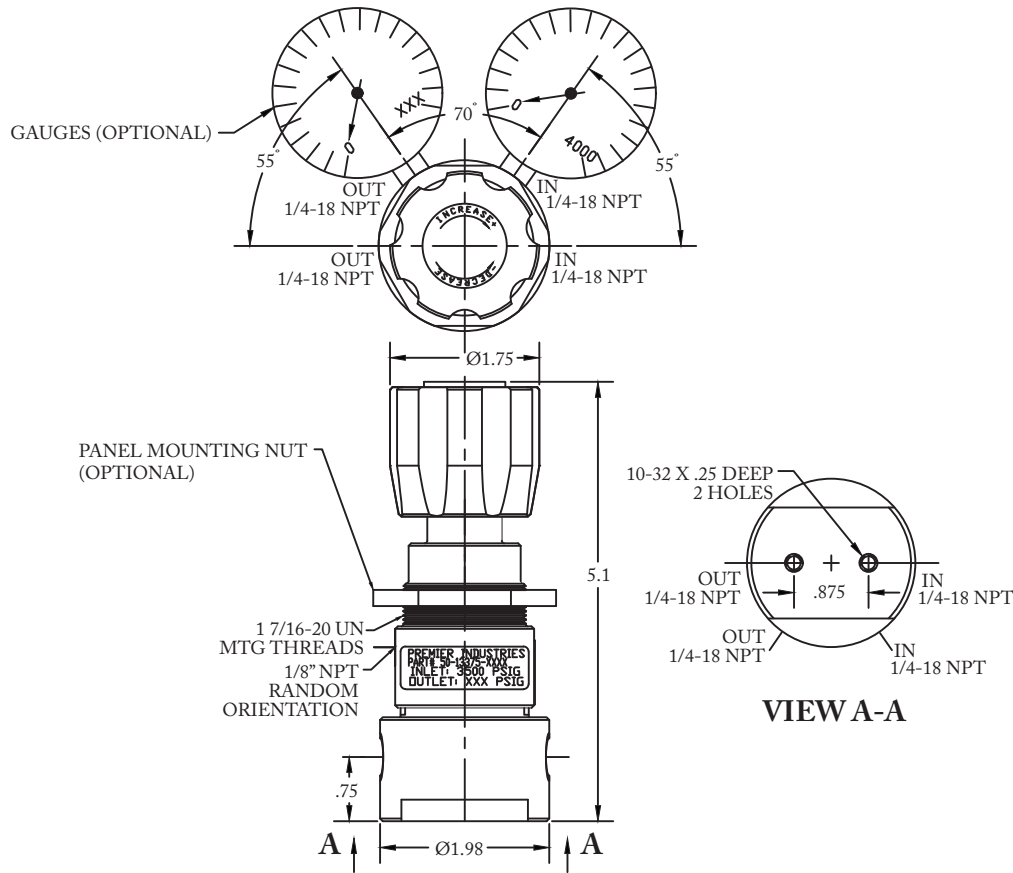
## PART NUMBER 50-12790

see selector chart for porting options



**PART NUMBER 50-13375**

*see selector chart for porting options*



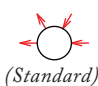
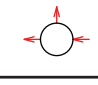
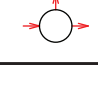
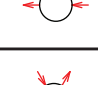
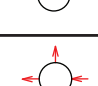
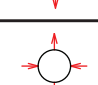
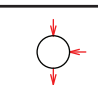
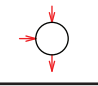
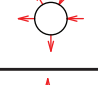
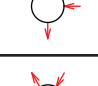
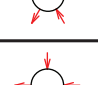


PART #	-	1	2	3	4	5	6	7	8
50-11962	-								

**Ø1.98 BODY WITH MOUNTING HOLES**

**3000 PSIG MAX INLET PRESSURE**

1	BODY MATERIAL & FINISH
2	316 Stainless Steel, cleaned per spec #515
3	6061-T6 Aluminum, Clear Anodized
5	SAE 360 Brass, Nickel Plated <i>Contact factory for pricing</i>
6	Monel®, (Elgiloy® diaphragm) cleaned per spec #515
8	SAE 360 Brass
2	DIAPHRAGM MATERIAL
Blank	316 Stainless Steel Diaphragm
N	Neoprene diaphragm
3	OUTLET PRESSURE (outlet gauge range, if supplied)
0	0 - 10 PSIG / 0 - 0.69 bar (per application)
1	0 - 25 PSIG / 0 - 1.72 bar (0-60 PSIG gauge)
2	0 - 50 PSIG / 0 - 3.45 bar (0-100 PSIG gauge)
3	0 - 100 PSIG / 0 - 6.89 bar (0-160 PSIG gauge)
4	0 - 250 PSIG / 0 - 17.24 bar (0-400 PSIG gauge) (Stainless steel diaphragm only)
5	0 - 500 PSIG / 0 - 34.47 bar (Stainless steel diaphragm only)

4	GAUGES
Blank	no gauges (standard)
A	2" diameter, inlet only, stainless steel wetted gauge
B	2" diameter, outlet only, stainless steel wetted gauges
C	2" diameter, inlet & outlet, stainless steel wetted gauges
D	2" diameter, inlet only, brass wetted gauges
E	2" diameter, outlet only, brass wetted gauges
F	2" diameter, inlet & outlet, brass wetted gauges
H	2" diameter, outlet only, brass wetted/ chrome plated gauges
J	2" diameter inlet & outlet brass wetted/ chrome plated gauges
5	PANEL MOUNTING NUT (optional)
5	Mounting nut
8	No nut (standard)

6	PORTING OPTIONS
Blank	 (Standard)
A	
B	
C	
D	
E	
F	
G	
H	
I	
J	
K	
L	

7	PORT TYPE
Blank	NPT (1/4")
2	SAE J1926-4 (1/4")
8	MAIN VALVE Cv
Blank	Cv 0.08 (Standard)
Y	Cv 0.20 without filter (Hydraulic)
Z	Cv 0.20

Monel® is a registered trademark of Special Metals Corporation

Elgiloy® is a registered trademark of Elgiloy Special Metals Division, Combined Metals of Chicago L.L.C

Contact factory for material certifications. Fees may apply.

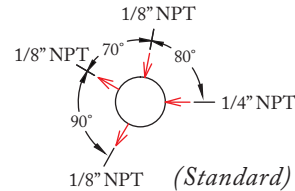
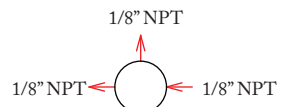
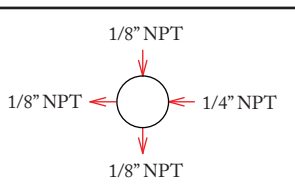
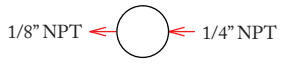
PART #	-	1	2	3	4	5	6	7	8
50-12357	-								

**Ø1.5 BODY WITHOUT MOUNTING HOLES**

**3000 PSIG MAX INLET PRESSURE**

1	BODY MATERIAL & FINISH
2	316 Stainless Steel, cleaned per spec #515
3	6061-T6 Aluminum, Clear Anodized
5	SAE 360 Brass, Nickel Plated <i>Contact factory for pricing</i>
8	SAE 360 Brass
2	DIAPHRAGM MATERIAL
Blank	316 Stainless Steel Diaphragm
N	Neoprene diaphragm
3	OUTLET PRESSURE (outlet gauge range, if supplied)
0	0 - 10 PSIG / 0 - 0.69 bar (per application)
1	0 - 25 PSIG / 0 - 1.72 bar (0-60 PSIG gauge)
2	0 - 50 PSIG / 0 - 3.45 bar (0-100 PSIG gauge)
3	0 - 100 PSIG / 0 - 6.89 bar (0-160 PSIG gauge)
4	0 - 250 PSIG / 0 - 17.24 bar (0-400 PSIG gauge) (Stainless steel diaphragm only)
5	0 - 500 PSIG / 0 - 34.47 bar (Stainless steel diaphragm only)

4	GAUGES
Blank	no gauges (standard)
A	1.5" diameter, inlet only, stainless steel wetted gauge
B	1.5" diameter, outlet only, stainless steel wetted gauges
C	1.5" diameter, inlet & outlet, stainless steel wetted gauges
D	1.5" diameter, inlet only, brass wetted gauges
E	1.5" diameter, outlet only, brass wetted gauges
F	1.5" diameter, inlet & outlet, brass wetted gauges
H	1.5" diameter, outlet only, brass wetted/ chrome plated gauges
J	1.5" diameter inlet & outlet brass wetted/ chrome plated gauges
5	PANEL MOUNTING NUT (optional)
5	Mounting nut
8	No nut (standard)

6	PORTING OPTIONS
Blank	 <p>1/8" NPT (Standard)</p>
A	
M	
C	
7	MAIN VALVE Cv
Blank	Cv 0.08 (Standard)
Z	Cv 0.20
8	OPERATOR
Blank	Adjustable handknob (Standard)
AN	Preset outlet pressure (locked w/ acorn nut)

*Monel® is a registered trademark of Special Metals Corporation  
Elgiloy® is a registered trademark of Elgiloy Special Metals Division,  
Combined Metals of Chicago L.L.C.  
Contact factory for material certifications. Fees may apply.*

# 2500 SERIES

Single Stage, Diaphragm Sensed, General Purpose  
Pressure Reducing Regulators


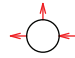
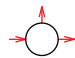

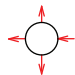
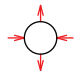
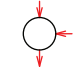
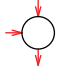
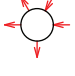
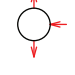
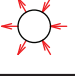
PART #	-	1	2	3	4	5
50-12790	-					

**Ø1.98 BODY, PRESET OUTLET PRESSURE, C<sub>v</sub> 0.08**

**3000 PSIG MAX INLET PRESSURE**

1	BODY MATERIAL & FINISH
2	316 Stainless Steel, <i>cleaned per spec #515</i>
3	6061-T6 Aluminum, <i>Clear Anodized</i>
5	SAE 360 Brass, <i>Nickel Plated</i> <i>Contact factory for pricing</i>
8	SAE 360 Brass
2	OUTLET PRESSURE (outlet gauge range, if supplied)
0	0 - 10 PSIG / 0 - 0.69 bar (per application)
1	0 - 25 PSIG / 0 - 1.72 bar (0-60 PSIG gauge)
2	0 - 50 PSIG / 0 - 3.45 bar (0-100 PSIG gauge)
3	0 - 100 PSIG / 0 - 6.89 bar (0-160 PSIG gauge)
4	0 - 250 PSIG / 0 - 17.24 bar (0-400 PSIG gauge) (Stainless steel diaphragm only)
5	0 - 500 PSIG / 0 - 34.47 bar (Stainless steel diaphragm only)

3	GAUGES
Blank	no gauges (standard)
A	2" diameter, inlet only, stainless steel wetted gauge
B	2" diameter, outlet only, stainless steel wetted gauges
C	2" diameter, inlet & outlet, stainless steel wetted gauges
D	2" diameter, inlet only, brass wetted gauges
E	2" diameter, outlet only, brass wetted gauges
F	2" diameter, inlet & outlet, brass wetted gauges
H	2" diameter, outlet only, brass wetted/ chrome plated gauges
J	2" diameter inlet & outlet brass wetted/ chrome plated gauges
4	PANEL MOUNTING NUT (optional)
5	Mounting nut
8	No nut (standard)

5	PORTING OPTIONS (1/4" FNPT)
Blank	 (Standard)
A	
B	
D	
E	
F	
G	
H	
I	
J	
K	

Monel® is a registered trademark of Special Metals Corporation  
Elgiloy® is a registered trademark of Elgiloy Special Metals Division, Combined Metals of Chicago L.L.C

Contact factory for material certifications. Fees may apply.

# 2500 SERIES

Single Stage, Diaphragm Sensed, General Purpose  
Pressure Reducing Regulators

PART #	-	1	2	3	4	5	6	7
50-13375	-							

Ø1.98 BODY, PRESET OUTLET PRESSURE, Cv 0.08



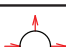
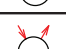
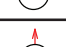


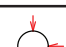
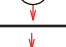


3500 PSIG MAX INLET PRESSURE

1	BODY MATERIAL & FINISH
2	316 Stainless Steel, <i>cleaned per spec #515</i>
3	6061-T6 Aluminum, <i>Clear Anodized</i>
5	SAE 360 Brass, <i>Nickel Plated</i> <i>Contact factory for pricing</i>
6	Monel® w/ Elgiloy® diaphragm <i>Cleaned per spec #515</i>
8	SAE 360 Brass
2	OUTLET PRESSURE <i>(outlet gauge range, if supplied)</i>
0	0 - 10 PSIG / 0 - 0.69 bar <i>(per application)</i>
1	0 - 25 PSIG / 0 - 1.72 bar <i>(0-60 PSIG gauge)</i>
2	0 - 50 PSIG / 0 - 3.45 bar <i>(0-100 PSIG gauge)</i>
3	0 - 100 PSIG / 0 - 6.89 bar <i>(0-160 PSIG gauge)</i>
4	0 - 250 PSIG / 0 - 17.24 bar <i>(0-400 PSIG gauge)</i> <i>(Stainless steel diaphragm only)</i>
5	0 - 500 PSIG / 0 - 34.47 bar <i>(Stainless steel diaphragm only)</i>

Monel® is a registered trademark of Special Metals Corporation  
Elgiloy® is a registered trademark of Elgiloy Special Metals Division, Combined Metals of Chicago L.L.C

3	GAUGES
Blank	no gauges <i>(standard)</i>
A	2" diameter, inlet only, stainless steel wetted gauge
B	2" diameter, outlet only, stainless steel wetted gauges
C	2" diameter, inlet & outlet, stainless steel wetted gauges
D	2" diameter, inlet only, brass wetted gauges
E	2" diameter, outlet only, brass wetted gauges
F	2" diameter, inlet & outlet, brass wetted gauges
H	2" diameter, outlet only, brass wetted/ chrome plated gauges
J	2" diameter inlet & outlet brass wetted/ chrome plated gauges
4	PANEL MOUNTING NUT <i>(optional)</i>
5	Mounting nut
8	No nut <i>(standard)</i>

Contact factory for material certifications.  
Fees may apply.

5	PORTING OPTIONS <i>(1/4" FNPT)</i>
Blank	 <i>(Standard)</i>
A	
B	
D	
E	
F	
G	
H	
I	
J	
K	
6	PORTING
Blank	1/4" FNPT PORTS
2	1/4" SAE J1926 PORTS
7	MAIN VALVE Cv
Blank	Cv 0.08 main valve <i>(standard)</i>
Y	Cv 0.2 main valve w/o filter <i>(hydraulic)</i>
Z	Cv 0.2 main valve

## 2500A SERIES

Single Stage, Diaphragm Sensed, Absolute Pressure  
Pressure Reducing Regulators



Premier 2500A Series regulators are single stage, diaphragm sensed, absolute pressure regulators. They can be used to reduce supply pressures up to 3000 PSIG (206.84 bar) into a vacuum environment for sub-atmospheric pressure control. Premier 2500A Series regulators feature a stainless steel diffusion-resistant metal diaphragm, Cv 0.08, inlet filter, and optional panel mount or bottom mount.

### FEATURES

- Full vacuum sub-atmospheric pressure control
- Stainless steel diaphragm minimizes inboard diffusion of air into regulator
- Optional panel mounting nut
- Bottom mounting holes (#10-32 UNF, 2X)
- Non-venting
- Captured bonnet
- 15 micron sintered inlet filter
- 3000 PSIG (206.84 bar) max inlet pressure
- Cv 0.08
- Machined bar stock body, bonnet, and piston eliminates porosity found in castings

**SOME APPLICATIONS WILL REQUIRE A CUSTOM SOLUTION.**  
CONTACT PREMIER INDUSTRIES TO REQUEST A MODIFICATION  
OR A CUSTOM DESIGN.



# 2500A SERIES

Single Stage, Diaphragm Sensed, Absolute Pressure  
Pressure Reducing Regulators

## SPECIFICATIONS

- **MAXIMUM INLET PRESSURE:**
  - 3000 PSIG (206.84 bar)
- **CONTROL PRESSURE RANGES:**
  - 50 mm Hg absolute - 15 psig (1.0 bar)
  - *\*\*50 mm Hg absolute = 28" Hg*
- **FLOW (Cv):** 0.08

## MATERIALS OF CONSTRUCTION

- **BODY:**
  - SAE 360 Brass/Nickel Plated
- **BONNET:**
  - SAE 360 Brass/Nickel Plated
- **DIAPHRAGM:**
  - 316 Stainless Steel
- **DIAPHRAGM SEAL:** PTFE
- **VALVE SEAT:** PFA
- **INLET FILTER:** 15 micron sintered bronze

## PORTING

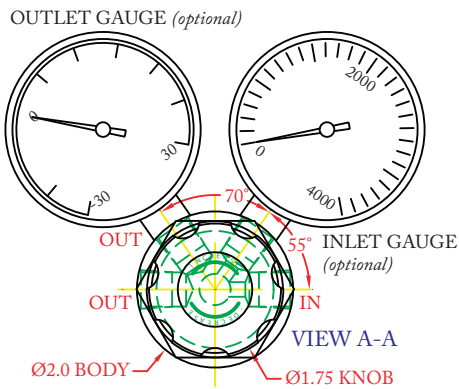
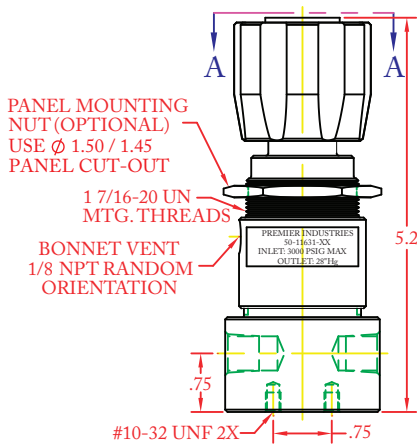
- **INLET:**
  - 1/4-18 NPT
- **OUTLET:**
  - 1/4-18 NPT (28" Hg VAC-15 PSIG)
- **CAPTURED BONNET VENT:**
  - 1/8 NPT

## OPTIONS

- Gauges (2.5 inch diameter, brass nickel plated)
- Private label
- Panel mounting nut (P/N: 50-10240)

Contact factory for material certifications. Fees may apply.

**PART NUMBER 50-11631**



## 2500DL SERIES

Dome Loaded, Single Stage, Diaphragm Sensed  
Pressure Reducing Regulators



Premier 2500DL Series regulators dome loaded, single stage, diaphragm sensed, pressure reducing regulators are rated for inlet pressure up to 3000 PSIG (206.84 bar), control pressures up to 500 PSIG (34.47 bar), and Cv 0.08 or 0.20. Models are available for both corrosive and non-corrosive service, fitted with your choice of stainless steel or neoprene diaphragm.

### FEATURES

- Compact size
- Optional stainless steel diaphragm minimizes inboard diffusion of air into regulator (model with neoprene diaphragm also available)
- 3000 PSIG (206.84 bar) max inlet pressure
- Cv 0.08 or 0.20
- Non-venting
- Machined bar stock body, bonnet, and piston eliminates porosity found in castings

**SOME APPLICATIONS WILL REQUIRE A CUSTOM SOLUTION.**  
CONTACT PREMIER INDUSTRIES TO REQUEST A MODIFICATION  
OR A CUSTOM DESIGN.

## SPECIFICATIONS

- **MAXIMUM INLET PRESSURE:**
  - 3000 PSIG (206.84 bar)
- **MAXIMUM CONTROL PRESSURE:**
  - 500 PSIG (34.47 bar)
- **FLOW (Cv):** 0.08, or 0.20
- **LOAD RATIO:**
  - Stainless steel diaphragm: 1:1\*\*
  - Neoprene diaphragm: 0.785:1

## MATERIALS OF CONSTRUCTION

- **BODY OPTIONS:**
  - 316 Stainless Steel
  - SAE 360 Brass
  - SAE 360 Brass, Nickel Plated  
*(contact factory for pricing)*
- **BONNET OPTIONS:**
  - 316 Stainless Steel
  - SAE 360 Brass
  - SAE 360 Brass, Nickel Plated
- **DIAPHRAGM OPTIONS:**
  - Neoprene
  - 316 Stainless Steel
- **DIAPHRAGM SEAL:** PTFE
- **VALVE SEAT:** PCTFE

## PORTING

- **INLET:**
  - 1/4 FNPT
- **OUTLET:**
  - 1/4-18 NPT
- **DOMES PORT:**
  - 1/4-18 NPT

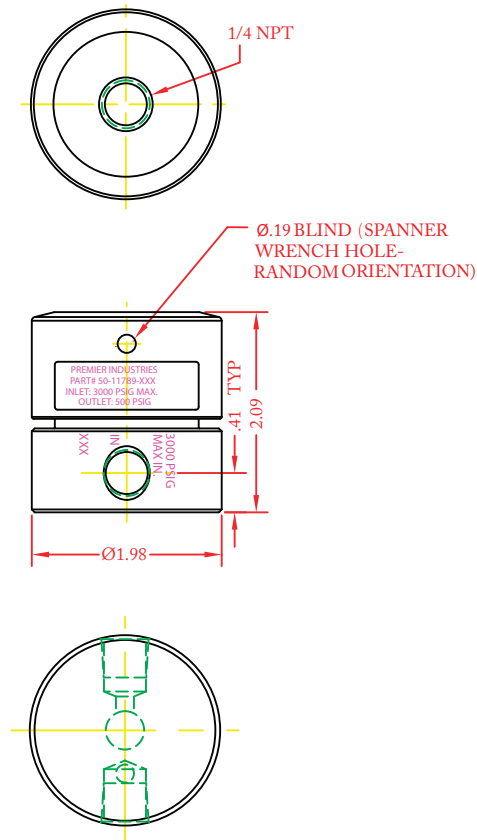
## OPTIONS

- Private label
- Gauges

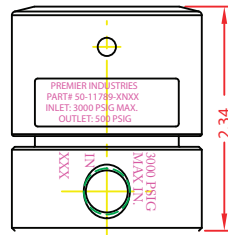
# 2500DL SERIES

Dome Loaded, Single Stage, Diaphragm Sensed  
Pressure Reducing Regulators

**PART NUMBER 50-11789**  
*316 stainless steel diaphragm*



**PART NUMBER 50-11789-XNXX**  
*Neoprene diaphragm*


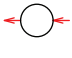
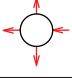
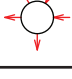
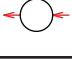
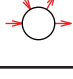


# 2500DL SERIES

Dome Loaded, Single Stage, Diaphragm Sensed  
Pressure Reducing Regulators

PART #	-	1	2	3	4
50-11789	-				

1	BODY MATERIAL & FINISH
1	316 Stainless Steel, <i>cleaned per spec #515</i>
3	SAE 360 Brass, <i>Nickel Plated</i> <i>(contact factory for pricing)</i>
4	SAE 360 Brass
2	DIAPHRAGM MATERIAL
Blank	316 Stainless Steel Diaphragm
N	Neoprene diaphragm
3	MAIN VALVE Cv
0	Cv 0.08
2	Cv 0.20

4	PORTING CONFIGURATIONS
1	
2	
3	
4	
5	
6	

Contact factory for material certifications. Fees may apply.

## 2500DLB SERIES

Dome Loaded, Bias Spring, Diaphragm Sensed  
Pressure Reducing Regulators



Premier 2500DLB Series dome loaded/bias spring, single stage, diaphragm sensed, pressure reducing regulators, are rated for inlet pressure up to 3000 PSIG (206.84 bar), load pressures up to 500 PSIG (34.47 bar), and Cv 0.08 or 0.20. 2500DLB Series regulators are elastomer free and designed for use in tracking applications.

### FEATURES

- Compatible with electro pneumatic controllers
- Elastomer free
- Designed for tracking applications
- 3000 PSIG (206.84 bar) max inlet pressure
- Cv 0.08 or 0.20
- Non-venting

**SOME APPLICATIONS WILL REQUIRE A CUSTOM SOLUTION.**  
CONTACT PREMIER INDUSTRIES TO REQUEST A MODIFICATION  
OR A CUSTOM DESIGN.

## SPECIFICATIONS

- **MAXIMUM INLET PRESSURE:**
  - 3000 PSIG (206.84 bar)
- **MAXIMUM LOAD PRESSURE:**
  - 500 PSIG (34.47 bar)
- **PRESET SPRING BIAS:**
  - up to 150 PSIG (10.34 bar)
- **FLOW (Cv):** 0.08, or 0.20

## MATERIALS OF CONSTRUCTION

- **PROCESS WETTED MATERIAL OPTIONS:**
  - 316 Stainless Steel
  - 303 Stainless Steel
  - Monel 405® & Elgiloy®
  - SAE 360 Brass, Nickel Plated  
*(contact factory for pricing)*
- **DIAPHRAGM:**
  - 316 Stainless Steel
- **VALVE SEAT:**
  - PCTFE
- **SEALS:**
  - PTFE
- **OTHER WETTED MATERIALS (DOME SIDE):**
  - 303 Stainless Steel *(for 303 stainless steel process option)*
  - 316 Stainless Steel *(for 316 stainless steel & Monel Process options)*
  - SAE 360 Brass, Nickel Plated *(for SAE 360 Brass nickel plated option)*

## PORTING

- **INLET:**
  - 1/4" FNPT
- **OUTLET:**
  - 1/4" FNPT
- **LOAD PORT:**
  - 1/4" FNPT

## OPTIONS

- Private label
- Gauges

*Monel® is a registered trademark of Special Metals Corporation  
Elgiloy® is a registered trademark of Elgiloy Specialty Metals Division,  
Combined Metals of Chicago L.L.C*



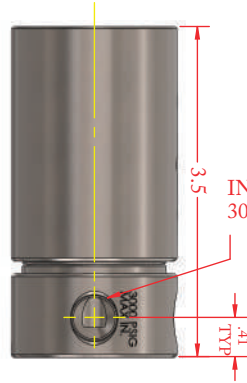
# 2500DLB SERIES

Dome Loaded, Bias Spring, Diaphragm Sensed  
Pressure Reducing Regulators

**PART NUMBER 50-12473**



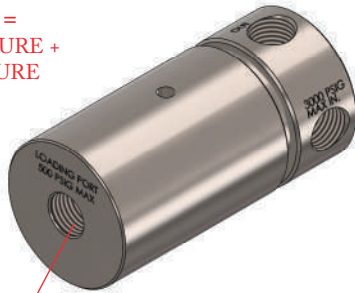
OUTLET PORTS: 1/4-18 FNPT



INLET: 1/4-18 FNPT  
3000 PSIG MAX

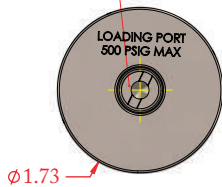
.41  
TYP

OUTLET PRESSURE =  
DOME LOAD PRESSURE +  
SPRING BIAS PRESSURE



DOME LOADING PORT:  
1/4-18 FNPT, 500 PSIG MAX

SPRING BIAS ADJUSTMENT SCREW  
150 PSIG MAX SPRING BIAS

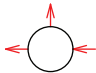
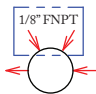
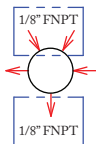


Ø1.73

# 2500DLB SERIES

Dome Loaded, Bias Spring, Diaphragm Sensed  
Pressure Reducing Regulators

PART #	-	1	2	3	-	XXX
50-12473	-				-	

1	PROCESS WETTED MATERIALS
1	316 Stainless Steel
2	303 Stainless Steel
3	Monel 405® & Elgiloy®
4	SAE 360 Brass, Nickel Plated <i>(contact factory for pricing)</i>
2	PORTING OPTIONS
1	'A' Porting, no gauges 
2	'C' Porting, no gauges 
3	'T' Porting, no gauges 
3	FLOW COEFFICIENT (Cv)
1	Cv 0.08 max
2	Cv 0.20 max

## XXX PRESET SPRING BIAS

\*\*Preset spring bias pressure at 3000 psig inlet pressure.  
Specify 0-150.  
Pressure units are psig.  
(EX: specify '30' for 30 psig spring bias pressure.)  
Preset spring bias pressure is field adjustable by qualified technicians only.

*Monel® is a registered trademark of Special Metals Corporation  
Elgiloy® is a registered trademark of Elgiloy Specialty Metals Division, Combined Metals of Chicago L.L.C*

*Contact factory for material certifications. Fees may apply.*

## 2510 SERIES

Diaphragm Sensed, Stable Set Pressure  
Pressure Reducing Regulators



Premier 2510 Series pressure reducing regulators are part of a new family of Stable Set Pressure (SSP) regulators from Premier Industries. These single stage regulators are equipped with new technology that enables increased stability in delivery pressure and a significantly reduced supply pressure effect (*decaying inlet characteristic*). These diaphragm sensed, general purpose cylinder and line regulators are available with a wide range of materials/porting options. The Premier 2510 Series feature the choice of a neoprene or 316 stainless steel diaphragm, max inlet pressure of 3500 PSIG (*241.3 bar*) and Cv 0.20.

### FEATURES

- Reduced decaying inlet characteristic (*supply pressure effect*) in a single stage design
- Cv 0.20
- 3500 PSIG (*241.3 bar*) max inlet pressure
- Machined bar stock body & bonnet, eliminates porosity found in castings
- Optional integral outlet pressure relief valve
- Economical pricing
- Optional integral needle style shut off valve
- Optional low profile hand knob
- Compact 1.5 inch diameter body option available

**SOME APPLICATIONS WILL REQUIRE A CUSTOM SOLUTION.**  
CONTACT PREMIER INDUSTRIES TO REQUEST A MODIFICATION  
OR A CUSTOM DESIGN.

## SPECIFICATIONS

- **MAXIMUM INLET PRESSURE:**
  - 3500 PSIG (241.3 bar)
- **CONTROL PRESSURE RANGES:**
  - 0-10 PSIG (0 - 0.69 bar)
  - 0-25 PSIG (0 - 1.72 bar)
  - 0-50 PSIG (0 - 3.45 bar)
  - 0-100 PSIG (0 - 6.89 bar)
  - 0-250 PSIG (0 - 17.24 bar)  
*stainless steel diaphragm only*
  - 0-500 PSIG (0 - 34.47 bar)  
*stainless steel diaphragm only*
- **FLOW (Cv):** 0.20

## MATERIALS OF CONSTRUCTION

- **BODY/BONNET MATERIAL OPTIONS**
  - SAE 360 Brass (*body & bonnet*)
  - SAE 360 Brass, Nickel Plated (*body & bonnet*)  
*(contact factory for pricing)*
  - 303 Stainless Steel (*body*),  
Brass Nickel Plated (*bonnet*)
  - 316 Stainless Steel (*body*),  
303 Stainless Steel (*bonnet*)
- **DIAPHRAGM OPTIONS:**
  - Neoprene
  - 316 Stainless Steel
- **O-RING SEAL MATERIAL:**
  - Nitrile
  - Viton®
  - EPDM
  - Neoprene
  - Kalrez® *(contact factory for pricing)*
- **VALVE SEAT:**
  - PCTFE
  - PTFE
- **OTHER WETTED COMPONENTS:**
  - SAE 360 Brass & 300 Series Stainless Steel
- **OPTIONAL GAUGES:**
  - 2.0" diameter, brass wetted components,  
finish to match body/bonnet finish

## PORTING

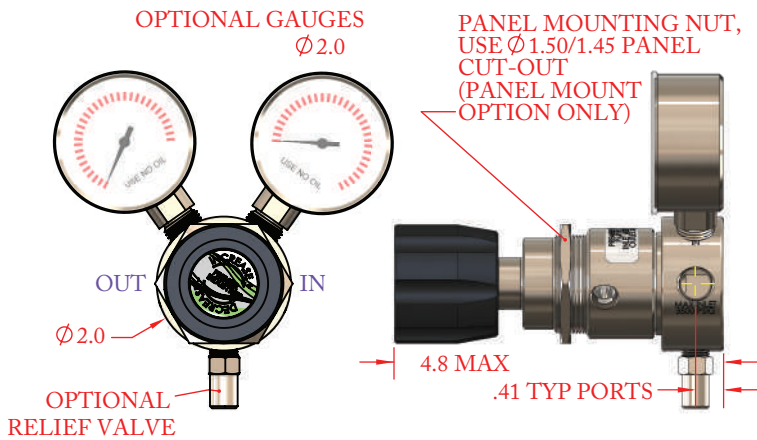
- **INLET:**
  - 1/8 FNPT
  - 1/4 FNPT
- **OUTLET:**
  - 1/8 FNPT
  - 1/4-18 NPT (on 1.75" and 2.0" diameter bodies)

## OPTIONS

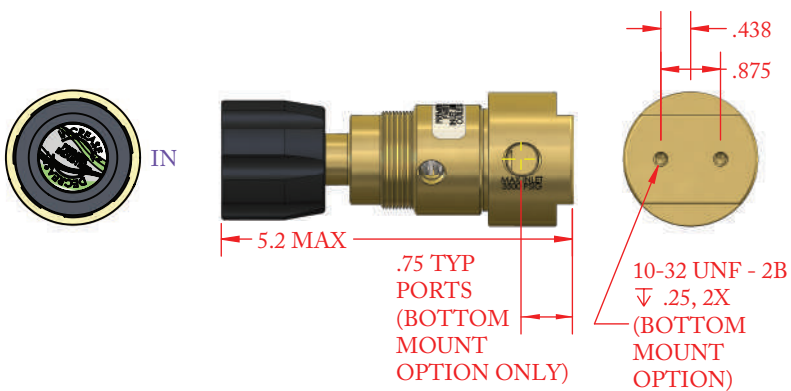
- Gauges, brass wetted components, finish to match body/bonnet finish
- Body/material finishes and diameters
- Private label
- Panel mounting nut
- Bottom mounting holes
- Pressure relief valves
- CGA connections

*Viton® and Kalrez® are registered trademarks of E.I. duPont de Nemours and Company.*

**PART NUMBER 50-12308-2I-XX-X2-22**




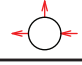
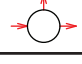
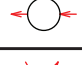
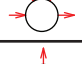
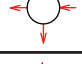
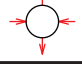
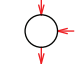
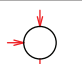
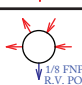
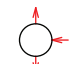
**PART NUMBER 50-12308-1C-XX-X1-13**



# 2510 SERIES

Diaphragm Sensed, Stable Set Pressure  
Pressure Reducing Regulators

PART #	-	1	2	-	3	4	-	5	6	-	7	8	9
50-12308	-			-			-			-			

1	BODY/BONNET MATERIAL & FINISH
1	SAE 360 Brass ( <i>body &amp; bonnet</i> )
2	SAE 360 Brass, Nickel Plated ( <i>body &amp; bonnet</i> ) ( <i>contact factory for pricing</i> )
3	303 Stainless Steel ( <i>body</i> ), SAE 360 Brass, Nickel Plated ( <i>bonnet</i> )
4	316 Stainless Steel ( <i>body</i> ), 303 Stainless Steel ( <i>bonnet</i> )
2	PORTING OPTIONS
S	
A	
B	
C	
D	
E	
F	
G	
H	
I	
J	

3	MAIN VALVE SEAT MATERIAL
1	PCTFE
2	PTFE
4	O-RING SEAL MATERIAL
1	Nitrile
2	Viton®
3	EPDM
4	Neoprene
5	Kalrez® ( <i>contact factory for pricing</i> )
5	OUTLET PRESSURE (outlet gauge range)
1	0 - 10 PSIG / 0 - 0.69 bar ( <i>per application</i> )
2	0 - 25 PSIG / 0 - 1.72 bar ( <i>0-60 PSIG gauge</i> )
3	0 - 50 PSIG / 0 - 3.45 bar ( <i>0-100 PSIG gauge</i> )
4	0 - 250 PSIG / 0 - 17.24 bar ( <i>0-400 PSIG gauge</i> ) <i>stainless steel diaphragm only</i>
5	0 - 500 PSIG / 0 - 34.47 bar ( <i>0-600 PSIG gauge</i> ) <i>stainless steel diaphragm only</i>
6	0 - 100 PSIG / 0 - 6.89 bar ( <i>0-160 PSIG gauge</i> )

6	GAUGES ( <i>see note 1</i> )
1	No gauges
2	Include gauges
7	RELIEF VALVE ( <i>see note 2</i> )
1	No relief valve
2	Include relief valve
8	MOUNTING
1	None
2	Panel mount
3	Bottom mount
4	Panel mount & bottom mount
9	DIAPHRAGM MATERIAL
Blank	Neoprene <i>Outlet pressure: 100 psig (6.89 bar) max</i>
S	316 Stainless Steel <i>Outlet pressure: 500 psig (34.47 bar) max</i>

**NOTES:**

- INLET GAUGE ON S,D,F,G,H, & I
- RELIEF VALVE AVAILABLE ON PORTING CONFIGURATION 'I' ONLY. RELIEF VALVE SETTING 90-420 PSIG BASED ON OUTLET PRESSURE OPTION. NOT AVAILABLE FOR 500 PSIG OUTLET.

*Viton® & Kalrez® are registered trademarks of E.I.duPont de Nemours and Company. Contact factory for material certifications. Fees may apply.*

## 2550 SERIES

Single Stage, High Sensitivity, Diaphragm Sensed  
Pressure Reducing Regulators



Premier 2550 Series regulators are single stage, increased sensitivity, diaphragm sensed, pressure reducing regulators, designed for inlet pressures up to 3000 psig (206.8 bar), and Cv 0.08 or 0.2. They are used to regulate a broad range of non-corrosive and corrosive media (*based on materials of construction*).

### FEATURES

- Large stainless steel diaphragm for increased sensitivity and reduced droop
- $\pm 1\%$  of outlet pressure range
- Stainless steel diaphragm minimizes inboard diffusion of air into the regulator
- Flow capacity (Cv): 0.08 or 0.2
- Optional panel mounting nuts
- Non-venting & self-venting designs
- Economical pricing
- Machined bar stock body eliminates porosity found in castings

**SOME APPLICATIONS WILL REQUIRE A CUSTOM SOLUTION.**  
CONTACT PREMIER INDUSTRIES TO REQUEST A MODIFICATION  
OR A CUSTOM DESIGN.

## SPECIFICATIONS

- **MAXIMUM INLET PRESSURE:**
  - 3000 PSIG (206.8 bar)
- **CONTROL PRESSURE RANGES:**
  - 0-10 PSIG (0 - 0.69 bar)
  - 0-25 PSIG (0 - 1.72 bar)
  - 0-50 PSIG (0 - 3.45 bar)
  - 0-100 PSIG (0 - 6.89 bar)
  - 0-150 PSIG (0 - 10.34 bar)
  - 0-250 PSIG (0 - 17.24 bar)  
(P/N: 50-11487 only)
- **FLOW (Cv):** 0.08 (standard) or 0.2

## MATERIALS OF CONSTRUCTION

- **BODY:**
  - 316 Stainless Steel
  - SAE 360 Brass
  - SAE 360 Brass/Nickel Plated\*  
\*Contact factory for pricing
  - 6061-T6 Aluminum/Clear Anodized
- **BONNET:**
  - SAE 360 Brass/Nickel Plated
  - 6061-T6 Aluminum/Clear Anodized
- **DIAPHRAGM:**
  - 316 Stainless Steel
  - Neoprene
- **DIAPHRAGM SEAL:**
  - PTFE
- **MAIN VALVE SEAT:**
  - PTFE

## PORTING

- **STANDARD INLET/OUTLET:**
  - 1/4-18 FNPT
  - Contact factory for other options
- **BONNET:**
  - SAE 360 Brass/Nickel Plated\*  
\*Contact factory for pricing
  - 6061-T6 Aluminum/Clear Anodized
- **DIAPHRAGM:**
  - 316 Stainless Steel
  - Neoprene
- **DIAPHRAGM SEAL:**
  - PTFE
- **MAIN VALVE SEAT:**
  - PTFE

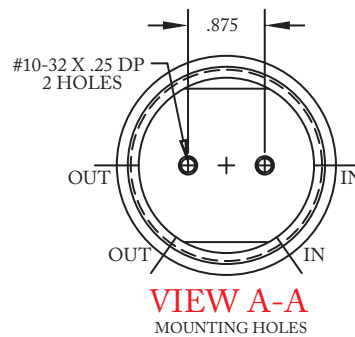
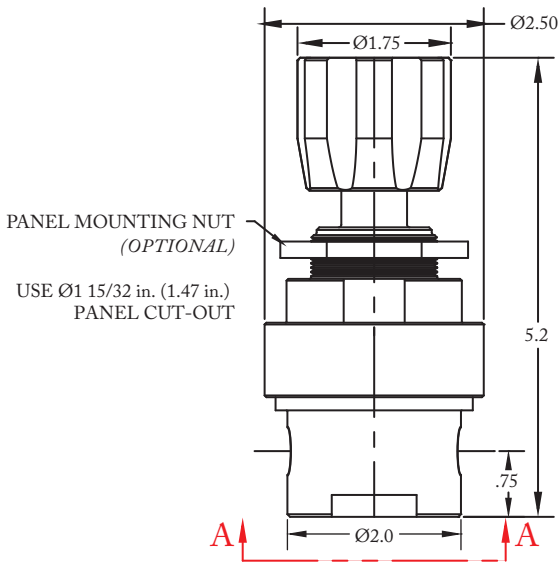
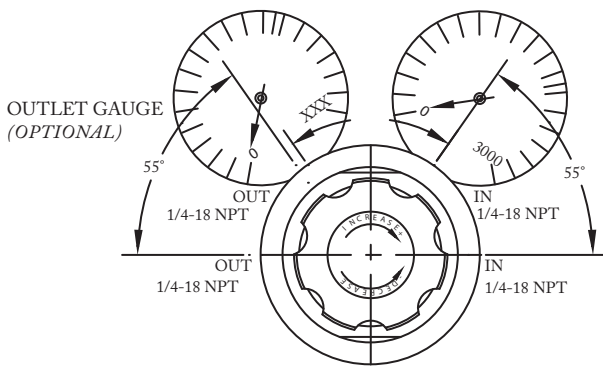
## OPTIONS

- Gauges (optional) 2" diameter
- Private label
- Panel mounting nut
- NACE compliant design P/N: 50-12911



**PART NUMBER: 50-11487**

*Shown below with standard porting*


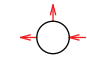
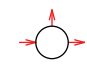
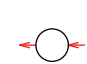
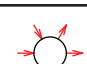
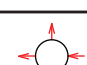

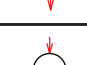
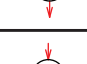
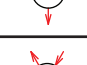
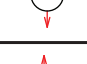
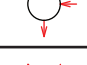
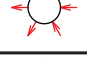


PART #	-	1	2	3	4	5	6	7
50-11487	-							

**NON-VENTING**

1	BODY MATERIAL & FINISH
2	316 Stainless Steel, cleaned per spec #515
3	6061-T6 Aluminum, Clear Anodized
5	SAE 360 Brass, Nickel Plated <i>Contact factory for pricing</i>
8	SAE 360 Brass
2	DIAPHRAGM MATERIAL
Blank	316 Stainless Steel Diaphragm
N	Neoprene diaphragm
3	OUTLET PRESSURE (outlet gauge range, if supplied)
0	0 - 10 PSIG / 0 - 0.69 bar (per application)
1	0 - 25 PSIG / 0 - 1.72 bar (0-60 PSIG gauge)
2	0 - 50 PSIG / 0 - 3.45 bar (0-100 PSIG gauge)
3	0 - 100 PSIG / 0 - 6.89 bar (0-160 PSIG gauge)
4	0 - 150 PSIG / 0 - 10.34 bar (0-200 PSIG gauge)
5	0 - 250 PSIG / 0 - 17.24 bar (0-400 PSIG gauge)

4	GAUGES
Blank	no gauges (standard)
A	2" diameter, inlet only, stainless steel wetted gauge
B	2" diameter, outlet only, stainless steel wetted gauges
C	2" diameter, inlet & outlet, stainless steel wetted gauges
D	2" diameter, inlet only, brass wetted gauges
E	2" diameter, outlet only, brass wetted gauges
F	2" diameter, inlet & outlet, brass wetted gauges
H	2" diameter, outlet only, brass wetted/ chrome plated gauges
J	2" diameter inlet & outlet brass wetted/ chrome plated gauges
5	PANEL MOUNTING NUT (optional)
5	Mounting nut
8	No nut (standard)

6	PORTING OPTIONS
Blank	 (Standard)
A	
B	
C	
D	
E	
F	
G	
H	
I	
J	
K	
L	

7	MAIN VALVE Cv
Blank	Cv 0.08 (standard)
Y	Cv 0.20 w/o filter (hydraulic service)
Z	Cv 0.20

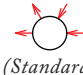
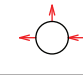
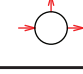
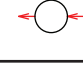
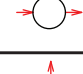
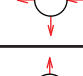
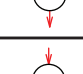
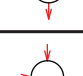
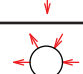
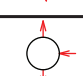
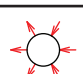
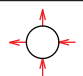

*Contact factory for material certifications. Fees may apply.*

PART #	-	1	2	3	4	5	6	7
50-13281	-							

**SELF-VENTING**

1	BODY MATERIAL & FINISH
2	316 Stainless Steel, cleaned per spec #515
3	6061-T6 Aluminum, Clear Anodized
5	SAE 360 Brass, Nickel Plated <i>Contact factory for pricing</i>
8	SAE 360 Brass
2	DIAPHRAGM MATERIAL
Blank	316 Stainless Steel Diaphragm
N	Neoprene diaphragm
3	OUTLET PRESSURE (outlet gauge range, if supplied)
0	0 - 10 PSIG / 0 - 0.69 bar (per application)
1	0 - 25 PSIG / 0 - 1.72 bar (0-60 PSIG gauge)
2	0 - 50 PSIG / 0 - 3.45 bar (0-100 PSIG gauge)
3	0 - 100 PSIG / 0 - 6.89 bar (0-160 PSIG gauge)
4	0 - 150 PSIG / 0 - 10.34 bar (0-200 PSIG gauge)

4	GAUGES
Blank	no gauges (standard)
A	2" diameter, inlet only, stainless steel wetted gauge
B	2" diameter, outlet only, stainless steel wetted gauges
C	2" diameter, inlet & outlet, stainless steel wetted gauges
D	2" diameter, inlet only, brass wetted gauges
E	2" diameter, outlet only, brass wetted gauges
F	2" diameter, inlet & outlet, brass wetted gauges
H	2" diameter, outlet only, brass wetted/ chrome plated gauges
J	2" diameter inlet & outlet brass wetted/ chrome plated gauges
5	PANEL MOUNTING NUT (optional)
5	Mounting nut
8	No nut (standard)

6	PORTING OPTIONS
Blank	 (Standard)
A	
B	
C	
D	
E	
F	
G	
H	
I	
J	
K	
L	

7	MAIN VALVE Cv
Blank	Cv 0.08 (standard)
Z	Cv 0.20

Contact factory for material certifications. Fees may apply.

## 2550A SERIES

Single Stage, Diaphragm Sensed, Absolute Pressure  
Pressure Reducing Regulators



Premier 2550A Series regulators are single stage, diaphragm sensed, increased sensitivity, absolute pressure regulators. They can be used to reduce supply pressures up to 3000 PSIG (206.84 bar) into a vacuum environment for sub-atmospheric pressure control. Premier 2550A Series regulators feature a large Elgiloy® diaphragm, Cv 0.08, and optional panel mount or bottom mount.

### FEATURES

- Full vacuum sub-atmospheric pressure control
- Large Elgiloy® diaphragm for increased sensitivity and reduced droop
- Elgiloy® diaphragm minimizes inboard diffusion of air into the regulator
- Optional panel mount or bottom mount
- Captured bonnet vent
- 15 micron sintered inlet filter
- 3000 PSIG (206.84 bar) max inlet pressure
- Cv 0.08
- Optional NACE compliant design

**SOME APPLICATIONS WILL REQUIRE A CUSTOM SOLUTION.**  
CONTACT PREMIER INDUSTRIES TO REQUEST A MODIFICATION  
OR A CUSTOM DESIGN.

## SPECIFICATIONS

- **MAXIMUM INLET PRESSURE:**
  - 3000 PSIG (206.84 bar)
- **OUTLET PRESSURE RANGES:**
  - 50 mm Hg absolute - 15 psig (30" HG-30 psig)
  - *\*\*50 mm Hg absolute = 28" Hg*
- **FLOW (Cv):** 0.08

## OPTIONS

- Gauges (2 inch diameter)
- Private label
- Panel mounting nut (P/N: 50-10240)

## MATERIALS OF CONSTRUCTION

- **BODY:**
  - 316 Stainless Steel
- **BONNET:**
  - SAE 360 Brass/Nickel Plated (P/N 50-12757)
  - 316 Stainless Steel (P/N 50-12484)
- **DIAPHRAGM:**
  - Elgiloy®
- **DIAPHRAGM SEAL:** PTFE
- **VALVE SEAT:** PTFE

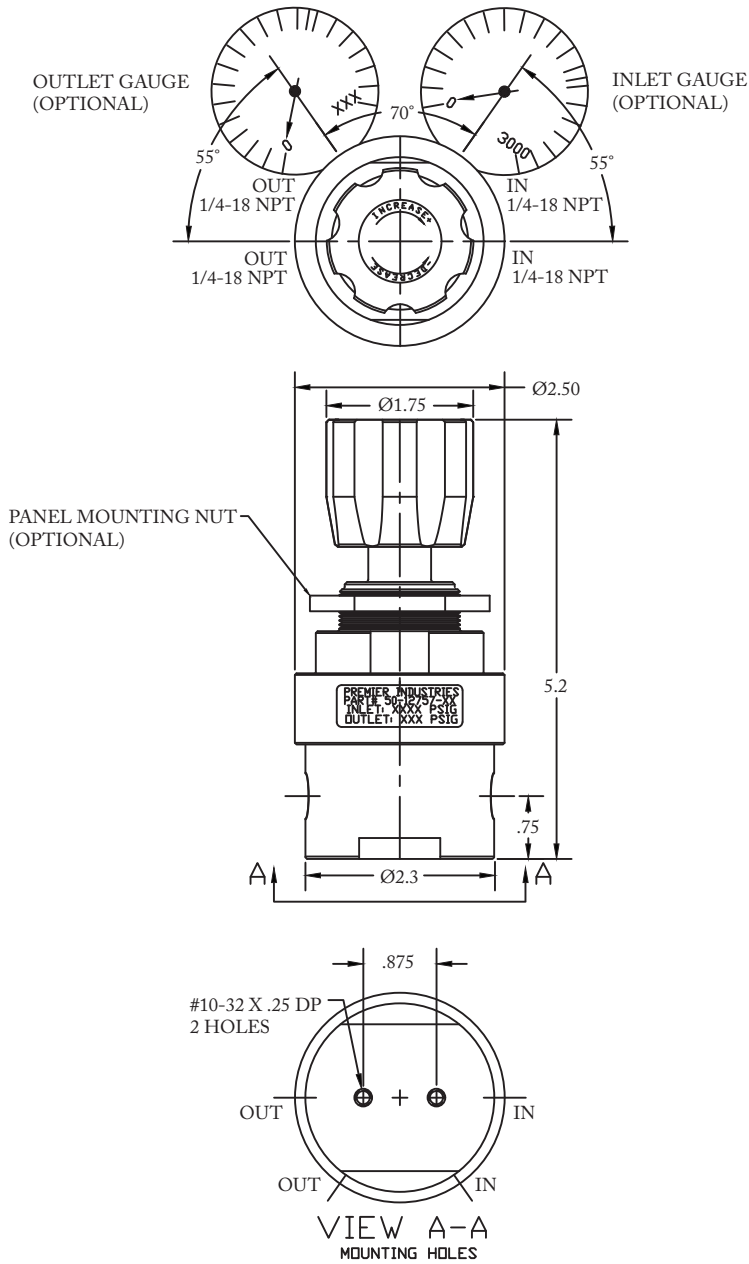
## PORTING

- **INLET:**
  - 1/4-18 NPT
- **OUTLET:**
  - 1/4-18 NPT

*Elgiloy® is a registered Trademark of Elgiloy Specialty Metals  
Division, Combined Metals of Chicago L.L.C*

*Contact factory for material certifications. Fees may apply.*

PART NUMBER 50-12757 / 50-12484




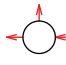


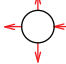
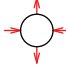
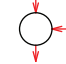
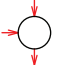
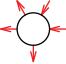
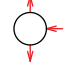

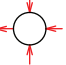
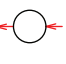
# 2550A SERIES

Single Stage, Diaphragm Sensed, Absolute Pressure  
Pressure Reducing Regulators

PART #	-	1	2	3	4	5
50-12757	-					

## STANDARD MODEL, BRASS/NICKEL PLATED BONNET

1	BODY MATERIAL & FINISH
2	316 Stainless Steel, <i>cleaned per spec #515</i>
2	OUTLET PRESSURE
0	0-50 mm Hg Absolute-15 psig <i>(30" HG-30 psig)</i>
3	GAUGES <i>(OPTIONAL)</i>
Blank	no gauges <i>(standard)</i>
A	2" diameter, inlet only, stainless steel wetted gauge
B	2" diameter, outlet only, stainless steel wetted gauge
C	2" diameter, inlet & outlet, stainless steel wetted gauges
4	PANEL MOUNTING NUT <i>(optional)</i>
5	Mounting nut
8	No nut <i>(standard)</i>

5	PORTING OPTIONS
Blank	 <i>('C', Standard)</i>
A	
B	
D	
E	
F	
G	
H	
I	
J	
K	
L	
S	

Contact factory for material certifications.  
Fees may apply.


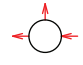



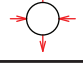
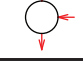
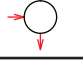
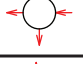
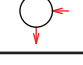
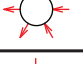
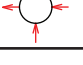

# 2550A SERIES

Single Stage, Diaphragm Sensed, Absolute Pressure  
Pressure Reducing Regulators

PART #	-	1	2	3	4	5
50-12484	-					

**NACE MR01075 COMPLIANT MODEL,  
316 STAINLESS STEEL BONNET**

1	BODY MATERIAL & FINISH
2	316 Stainless Steel, <i>cleaned per spec #515</i>
2	OUTLET PRESSURE
0	0-50 mm Hg Absolute-15 psig <i>(30" HG-30 psig)</i>
3	GAUGES <i>(OPTIONAL)</i>
Blank	no gauges <i>(standard)</i>
A	2" diameter, inlet only, stainless steel wetted gauge
B	2" diameter, outlet only, stainless steel wetted gauge
C	2" diameter, inlet & outlet, stainless steel wetted gauges
4	PANEL MOUNTING NUT <i>(optional)</i>
5	Mounting nut
8	No nut <i>(standard)</i>

5	PORTING OPTIONS
Blank	 <i>(C, Standard)</i>
A	
B	
D	
E	
F	
G	
H	
I	
J	
K	
L	
S	

Contact factory for material certifications.  
Fees may apply.



## 2600 SERIES

Single Stage, Piston Sensed  
Pressure Reducing Regulators



The Premier 2600 Series pressure reducing regulators are single stage, piston sensed, general purpose cylinder and line regulators. Premier 2600 Series regulators feature a max inlet pressure of 3500 PSIG (*241.32 bar*), control pressures up to 2500 PSIG (*172.37 bar*), and Cv 0.08, or 0.20. Models are available for both corrosive and non-corrosive service featuring a 316 stainless steel piston/piston housing, and a variety of optional bonnet, body, & seal materials.

### FEATURES

- Optional pressure relief valve
- Stainless steel piston/piston housing
- 3500 PSIG (*241.32 bar*) max inlet pressure
- Control pressure up to 2500 PSIG (*172.37 bar*)
- Cv 0.08, or 0.20
- Optional integral shut off valve
- Compact size
- Non-venting
- Machined bar stock body, bonnet, and piston eliminates porosity found in castings
- Economical pricing

**SOME APPLICATIONS WILL REQUIRE A CUSTOM SOLUTION.**  
CONTACT PREMIER INDUSTRIES TO REQUEST A MODIFICATION  
OR A CUSTOM DESIGN.

## SPECIFICATIONS

- **MAXIMUM INLET PRESSURE:**
  - 3500 PSIG (241.32 bar)
- **CONTROL PRESSURE RANGES:**
  - 0-200 PSIG (0 - 13.79 bar)
  - 0-250 PSIG (0 - 17.24 bar)
  - 0-500 PSIG (0 - 34.47 bar)
  - 0-1000 PSIG (0 - 68.95 bar)
  - 0-1500 PSIG (0 - 103.42 bar)
  - 0-2000 PSIG (0 - 137.9 bar)
  - 0-2500 PSIG (0 - 172.37 bar)
- **FLOW (Cv):** 0.08, 0.20  
(0.30 available, see part # 50-11853)

## MATERIALS OF CONSTRUCTION

- **BODY OPTIONS:**
  - 316 Stainless Steel
  - 303 Stainless Steel
  - SAE 360 Brass/Nickel Plated\*  
*\*Contact factory for pricing*
  - SAE 360 Brass
  - 6061-T6 Aluminum/Clear Anodized
- **PISTON/PISTON HOUSING:**
  - 316 Stainless Steel
- **MAIN VALVE CARTRIDGE SEAL:**
  - PTFE
- **O-RING OPTIONS:**
  - Viton-A®
  - Buna-n
  - Neoprene
  - EPDM
- **VALVE SEAT:** PCTFE
- **GAUGE OPTIONS:** (Optional)
  - 316 Stainless Steel
  - SAE 360 Brass/Nickel Plated

## PORTING

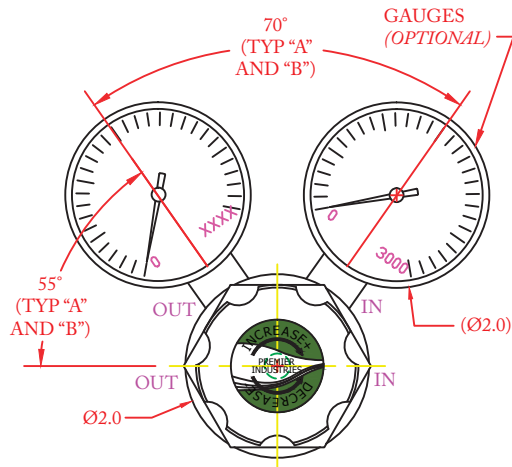
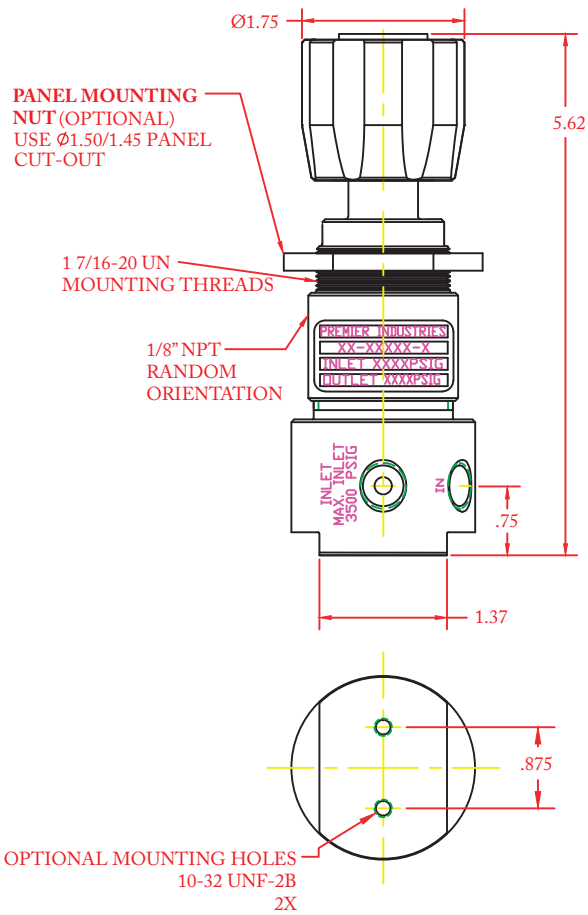
- **INLET:**
  - 1/4-18 NPT
- **OUTLET:**
  - 1/4-18 NPT

## OPTIONS

- Panel mounting nut (6061-T6 Aluminum/Anodized)
- Relief valve
- Private label
- Purge block
- Cv 0.30 (Part Number: 50-11853)
- Venting (See 2660 Series)

Viton-A® is a registered trademark of E.I. duPont de Nemours and Company

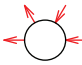

**PART NUMBER 50-11628**



PART #	-	1	2	3	4	5	6	7	8
50-11628	-								

1	BODY MATERIAL & FINISH
1	316 Stainless Steel, cleaned per spec #515
2	303 Stainless Steel, cleaned per spec #515
3	SAE 360 Brass, Nickel Plated <i>Contact factory for pricing</i>
4	SAE 360 Brass
5	6061-T6 Aluminum, Clear Anodized
2	O-RING SEALS
1	Viton-A®
2	Buna-n
3	Neoprene
4	EPDM

3	OUTLET PRESSURE (OUTLET GAUGE RANGE IF SUPPLIED)
1	0-1000 PSIG / 0-68.9 Bar (0-3000 PSIG GAUGE)
2	0-1500 PSIG / 0-103.4 Bar (0-3000 PSIG GAUGE)
3	0-2000 PSIG / 0-137.9 Bar (0-3000 PSIG GAUGE)
4	0-2500 PSIG / 0-172.4 Bar (0-3000 PSIG GAUGE)
5	0-200 PSIG / 0-13.8 Bar (0-400 PSIG GAUGE)
6	0-250 PSIG / 0-17.24 Bar (0-400 PSIG GAUGE)
7	0-500 PSIG / 0-34.47 Bar (0-1000 PSIG GAUGE)
4	MAIN VALVE Cv
1	Cv 0.08
2	Cv 0.2
5	GAUGES (optional)
0	No gauges
1	2" diameter inlet & outlet gauges

6	PANEL MOUNTING NUT (optional)
0	No nut
1	Mounting nut
7	PORTING CONFIGURATIONS
A	
B	
8	MOUNTING HOLES (Optional)
0	None
1	10-32 UNF-2B (2X)

*Viton-A® is a registered trademark of E.I. duPont de Nemours and Company  
Contact factory for material certifications.  
Fees may apply.*

## 2610 SERIES

Single Stage, Stable Set Pressure, Piston Sensed  
Pressure Reducing Regulators



The Premier 2610 Series single stage regulators are equipped with new patent pending technology that enables increased stability in delivery pressure and a significantly reduced decaying inlet characteristic in a single stage. Premier 2610 Series single stage, piston sensed, pressure reducing regulators feature a max inlet pressure of 3500 PSIG (*241.34 bar*), outlet pressures up to 2500 PSIG (*172.37 bar*), and Cv 0.20. Premier 2610 Series regulators are well suited for applications with high outlet pressures from a compressed gas source. Models are available for both corrosive and non-corrosive service featuring a variety of body, & seal options.

### FEATURES

- Reduced decaying inlet characteristic
- 3500 PSIG (*241.34 bar*) max inlet pressure
- Outlet pressures up to 2500 PSIG (*172.37 bar*)
- Cv 0.20
- Compact size
- Non-venting
- Machined bar stock body, bonnet, and piston eliminates porosity found in castings
- Economical pricing

**SOME APPLICATIONS WILL REQUIRE A CUSTOM SOLUTION.**  
CONTACT PREMIER INDUSTRIES TO REQUEST A MODIFICATION  
OR A CUSTOM DESIGN.

## SPECIFICATIONS

- **MAXIMUM INLET PRESSURE:**
  - 3500 PSIG (241.34 bar)
- **CONTROL PRESSURE RANGES:**
  - 0-250 PSIG (0 - 17.24 bar)
  - 0-500 PSIG (0 - 34.47 bar)
  - 0-1000 PSIG (0 - 68.95 bar)
  - 0-1500 PSIG (0 - 103.42 bar)
  - 0-2500 PSIG (0 - 172.37 bar)
- **FLOW (Cv):** 0.2 max

## MATERIALS OF CONSTRUCTION

- **BODY OPTIONS:**
  - 316 Stainless Steel
  - 303 Stainless Steel
  - 6061-T6 Aluminum/Hardcoat Anodize\*  
*\*Minimum quantity or lot charges apply to the aluminum, hardcoat option*
- **BONNET:**
  - 6061-T6 Aluminum/Nickel Plated
- **PISTON/PISTON HOUSING:**
  - 316 Stainless Steel
  - 303 Stainless Steel
- **SEALS:**
  - Viton-A®
  - EPDM
  - Neoprene
  - Nitrile
  - Low temp nitrile
- **VALVE SEAT:** PCTFE
- **OTHER WETTED COMPONENTS:**
  - 300 series stainless steel wetted components
  - All 316 stainless steel wetted components  
(316 S.S. body)
- **GAUGE OPTIONS:**  
(Optional, only available with 'C' & 'C\*' porting configurations, see page 3)
  - 300 series stainless steel wetted components
  - 316 stainless steel wetted components  
(316 S.S. body)

## PORTING

- **INLET:**
  - 1/4-18 FNPT
  - 3/8-18 FNPT
- **OUTLET:**
  - 1/4-18 FNPT
  - 3/8-18 FNPT

## OPTIONS

- Panel mounting nut
- Private label

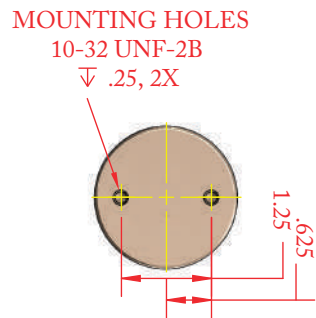
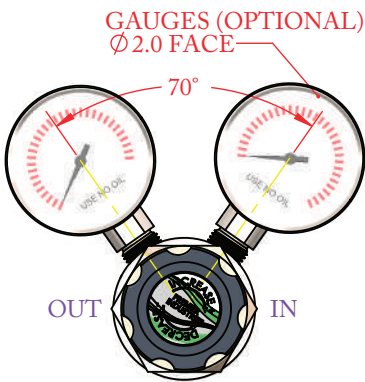
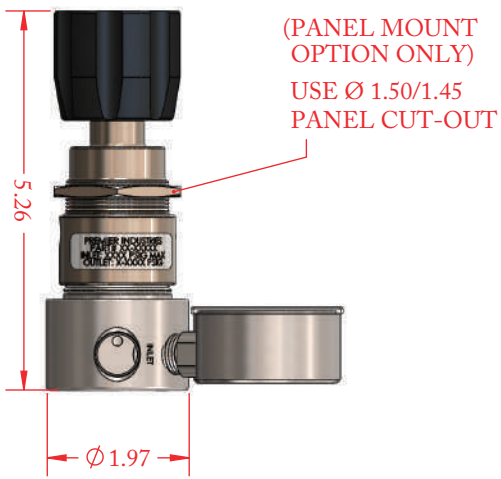
Viton-A® is a registered trademarks of E.I. duPont de Nemours and Company

Contact factory for material certifications. Fees may apply.

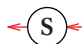




# 2610 SERIES

Single Stage, Stable Set Pressure, Piston Sensed Pressure Reducing Regulators

PART NUMBER 50-12482



PART #	-	1	2	-	3	4	-	5	6	-	7
50-12482	-			-			-			-	

1	BODY MATERIAL & FINISH
1	6061-T6 Aluminum, Hardcoat anodize*
2	303 Stainless Steel, cleaned per spec #515
3	316 Stainless Steel, cleaned per spec #515
<i>Minimum quantity or lot charges apply to the aluminum, hardcoat option</i>	
2	PORTING CONFIGURATIONS
1	 1/4 FNPT ports
2	 3/8 FNPT ports
3	 1/4 FNPT ports
4	 1/4 FNPT ports (red) 3/8 FNPT ports (blue)
5	 1/8 FNPT ports (red) 1/4 FNPT ports (blue)
3	MAIN VALVE SEAT
1	PCTFE

4	O-RING SEALS
1	Nitrile
2	Viton-A®
3	EPDM
4	Neoprene
5	Low temp nitrile
5	OUTLET PRESSURE (outlet gauge range, if supplied)
1	0-250 PSIG / 0-17.24 bar (0-400 psig gauge)
2	0-500 PSIG / 0-34.47 bar (0-1000 psig gauge)
3	0-1000 PSIG / 0-68.95 bar (0-1500 psig gauge)
4	0-1500 PSIG / 0-103.42 bar (0-3000 psig gauge)
5	0-2500 PSIG / 0-172.37 bar (0-3000 psig gauge)

6	GAUGES (available with 'C' & 'C*' porting configurations only)
1	No gauges
2	Include gauges
7	MOUNTING OPTIONS
1	Bottom mount only
2	Panel mount & bottom mount

*Viton-A® is a registered trademark of E.I. duPont de Nemours and Company  
Contact factory for material certifications.  
Fees may apply.*



## 2660 SERIES

Single Stage, Piston Sensed, Self-Venting  
Pressure Reducing Regulators



The Premier 2660 Series pressure reducing regulators are single stage, piston sensed, self-venting, cylinder and line regulators. Premier 2660 Series regulators feature a max inlet pressure of 3500 PSIG (*241.32 bar*), control pressures up to 1000 PSIG (*68.95 bar*), and Cv 0.08, or 0.20. The self venting hole in the bonnet can be captured for use with toxic/corrosive media.

### FEATURES

- Captured, self-venting, bonnet vent
- Stainless steel piston/piston housing
- 3500 PSIG (*241.32 bar*) max inlet pressure
- Cv 0.08, or 0.20
- Machined bar stock body, bonnet, and piston eliminates porosity found in castings
- Economical pricing

**SOME APPLICATIONS WILL REQUIRE A CUSTOM SOLUTION.**  
CONTACT PREMIER INDUSTRIES TO REQUEST A MODIFICATION  
OR A CUSTOM DESIGN.

## SPECIFICATIONS

- **MAXIMUM INLET PRESSURE:**
  - 3500 PSIG (241.32 bar)
- **CONTROL PRESSURE RANGES:**
  - 0-25 PSIG (0 - 1.72 bar)
  - 0-50 PSIG (0 - 3.45 bar)
  - 0-100 PSIG (0 - 6.89 bar)
  - 0-250 PSIG (0 - 17.24 bar)
  - 0-500 PSIG (0 - 34.47 bar)
  - 0-600 PSIG (0 - 41.36 bar)
  - 0-1000 PSIG (0 - 68.95 bar)
- **FLOW (Cv):** 0.08, 0.20

## MATERIALS OF CONSTRUCTION

- **BODY OPTIONS:**
  - 303 Stainless Steel
  - 316 Stainless Steel
  - SAE 360 Brass/Nickel Plated\*

*\*Contact factory for pricing*
- **BONNET (NON-WETTED):**
  - SAE 360 Brass/Nickel Plated
- **PISTON/PISTON HOUSING:**
  - 303 Stainless Steel
- **MAIN VALVE SEAT:** PCTFE
- **MAIN VALVE CARTRIDGE SEAL:**
  - PTFE
- **O-RING OPTIONS:**
  - Viton-A®
  - Nitrile
  - EPDM
  - Neoprene
  - *Contact factory for other options*
- **VENT VALVE/VENT SEAT RETAINER:**
  - 303 Stainless Steel

## PORTING

- **INLET:**
  - 1/4" FNPT
  - AS5202-04
- **OUTLET:**
  - 1/4" FNPT
  - AS5202-04
- **VENTING HOLE:**
  - 1/8" FNPT

## OPTIONS

- Panel mounting nut (6061-T6 Aluminum/Nickel Plated)
- Gauges
- Mounting holes
- Private label

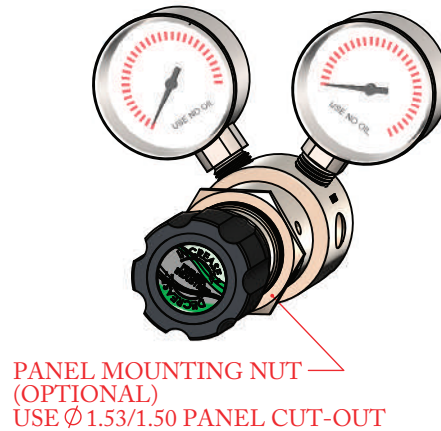
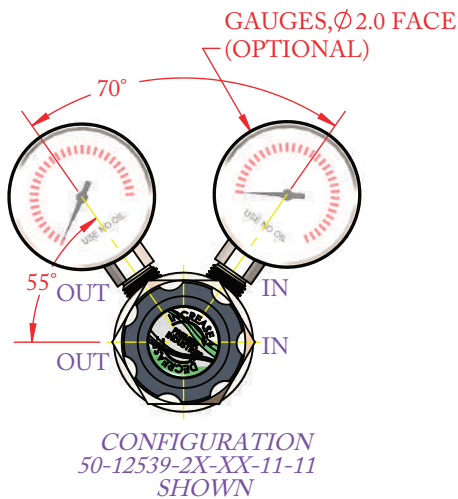
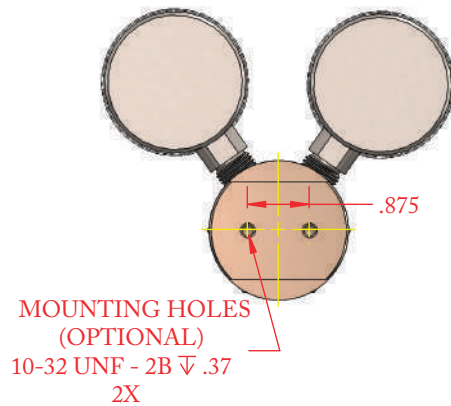
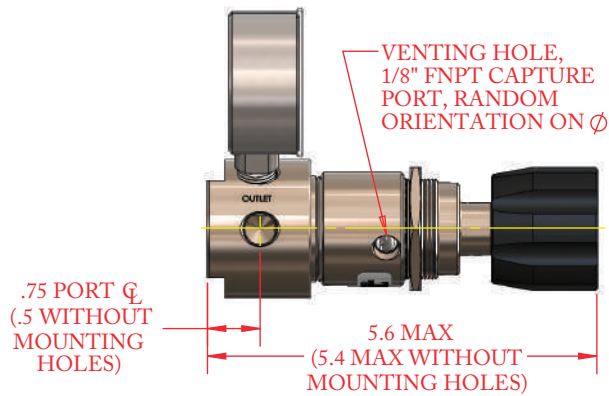
*Viton-A® is a registered trademark of E.I. duPont de Nemours and Company*

*Contact factory for material certifications. Fees may apply.*

# 2660 SERIES

Single Stage, Piston Sensed, Self-Venting Pressure Reducing Regulators

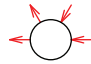
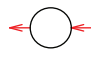
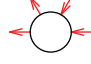
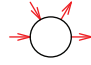
PART NUMBER 50-12539



PART #	-	1	2	-	3	4	-	5	6	-	7	8
50-12539	-			-			-			-		

1	BODY MATERIAL & FINISH
1	316 Stainless Steel, <i>cleaned per spec #515</i>
2	303 Stainless Steel, <i>cleaned per spec #515</i>
3	SAE 360 Brass, <i>Nickel Plated</i>
2	O-RING SEALS
0	Nitrile
1	Viton-A®
5	EPDM
6	Neoprene

3	OUTLET PRESSURE
1	0-25 PSIG <i>(0-1.72 Bar)</i>
2	0-50 PSIG <i>(0-3.45 Bar)</i>
3	0-100 PSIG <i>(0-6.89 Bar)</i>
4	0-250 PSIG <i>(0-17.24 Bar)</i>
5	0-500 PSIG <i>(0-34.47 Bar)</i>
6	0-600 PSIG <i>(0-41.36 Bar)</i>
9	0-1000 PSIG <i>(0-68.95 Bar)</i>
4	MAIN VALVE Cv
1	Cv 0.08
2	Cv 0.20
5	GAUGES <i>(optional)</i>
0	No gauges
1	Include gauges* <i>*Gauges not available on 'S' porting configuration</i>

6	PANEL MOUNTING NUT <i>(optional)</i>
0	No nut
1	Include mounting nut
7	PORTING CONFIGURATIONS
1	 ('C' configuration <i>1/4" FNPT, 4X</i> )
2	 ('S' configuration <i>1/4" FNPT, 2X</i> )
3	 ('C*' configuration <i>AS5202-04, 4X</i> )
4	 ('B' configuration <i>1/4" FNPT, 4X</i> )
8	MOUNTING HOLES <i>(optional)</i>
0	None
1	10-32 UNF-2B (2X)

*Viton-A® is a registered trademark of  
E.I. duPont de Nemours and Company*

*Contact factory for material  
certifications. Fees may apply.*

# 2700 SERIES

Fixed Flow, Piston Sensed  
Pressure Reducing Regulators



Compact, piston sensed, fixed flow, pressure reducing regulators used for calibration gases and industrial hygiene monitors. Premier 2700 Series regulators are available with preset flow settings from 0.25 LPM to 9.0 LPM; they are offered in a wide variety of materials and configurations, enabling them to regulate a broad range of media. Flows are set using a unique integrated flow adjustment valve prior to shipment. Dependent upon the configuration of the regulator, Premier 2700 Series regulators are designed to handle inlet pressures up to 3000 PSIG

## FEATURES

- Compact size
- Factory preset flow settings from 0.25 liters/min to 9.0 liters/min
- Wide variety of shut-off valve options
- 3000 PSIG (206.84 bar) max inlet (dependent upon configuration)
- Multiple porting options
- Models are available for both corrosive and non-corrosive service in a variety of materials
- Machined bar stock body, and bonnet eliminates porosity found in castings
- Numerous optional features and configurations are available.
- Economical pricing

**SOME APPLICATIONS WILL REQUIRE A CUSTOM SOLUTION.**  
CONTACT PREMIER INDUSTRIES TO REQUEST A MODIFICATION  
OR A CUSTOM DESIGN.

## SPECIFICATIONS

- **MAXIMUM INLET PRESSURE:**
  - 3000 PSIG (206.84 bar)  
(dependent upon configuration)
- **STANDARD PRESET CONTROL PRESSURE:**
  - 40-60 PSIG (2.76 - 4.14 bar)
  - Other preset control pressures optional
- **LEAK RATE:** Bubble Tight
- **SHUT OFF VALVE OPTIONS:** (see page 3)
  - None
  - Rotary/Multi-turn
  - Bayonet/Toggle
  - Slide valve
  - Trigger
  - Push Button
  - Solenoid
- **FLOW (Cv):**
  - Preset to customer specifications from  
0.25-9.0 LPM (at factory or inventory location)

## MATERIALS OF CONSTRUCTION

- **BODY OPTIONS:**
  - SAE 360 Brass
  - SAE 360 Brass, Electroless Nickel Plated
  - 303 Stainless Steel
  - 316 Stainless Steel
  - 6061-T6 Aluminum, Clear Anodized
- **BONNET OPTIONS:**
  - 6061-T6 Aluminum, Clear Anodized
  - SAE 360 Brass
  - SAE 360 Brass, Electroless Nickel Plated
- **PISTON:**
  - SAE 360 Brass
  - 303 Stainless Steel
  - 316 Stainless
  - 6061-T6 Aluminum, Clear Anodized
- **PISTON SEALS:**
  - Viton-A®
  - All elastomers available
- **VALVE SEAT:** PTFE

## OPTIONS

- Gauges (1/8 FNPT Porting): inlet, outlet, or both
- Yoke style CGA connection
- Inlet shut off/metering valve
- Relief valve
- Seat and sealing materials
- Anodized colors for aluminum bodies and bonnets
- Private label

## PORTING

- **INLET PORTING:**
  - C10 (5/8-18 UNF)
  - 1/8" FNPT
  - 1/8" MNPT,
  - 1/4" FNPT
  - 1/4" MNPT
  - All CGA Connections Available:  
– CGA 165, 180, 320, 510, 580, 600, etc.
- **OUTLET PORTING:**
  - 3/16" Hose Barb
  - 1/4" hose barb
  - 1/8" FNPT
  - 1/8" MNPT
  - 1/4" FNPT
  - 1/4" MNPT

Viton-A® is a registered trademark of E.I. duPont de Nemours and Company

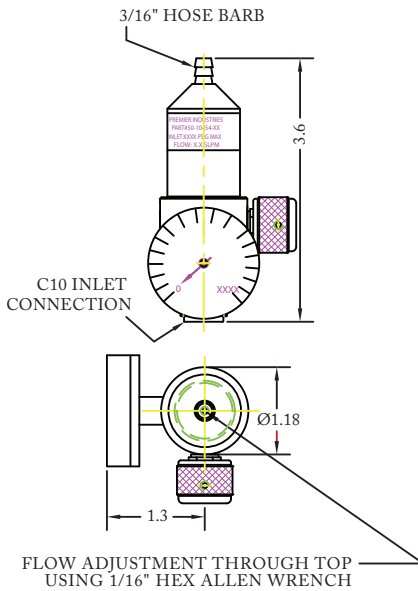
Contact factory for material certifications. Fees may apply.

# 2700 SERIES

**Fixed Flow, Piston Sensed  
Pressure Reducing Regulators**

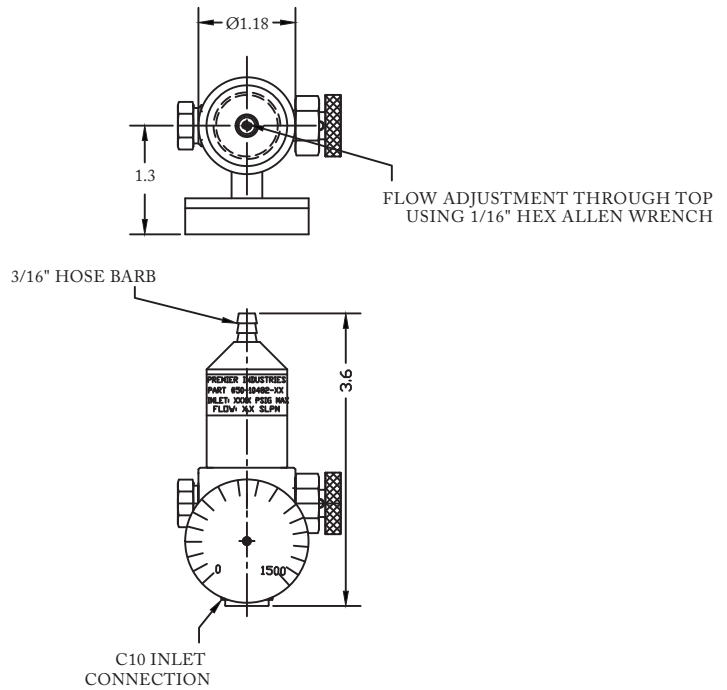
**PART NUMBER 50-10454 | rotary valve**

(Other part numbers and configurations available,  
contact factory for options)



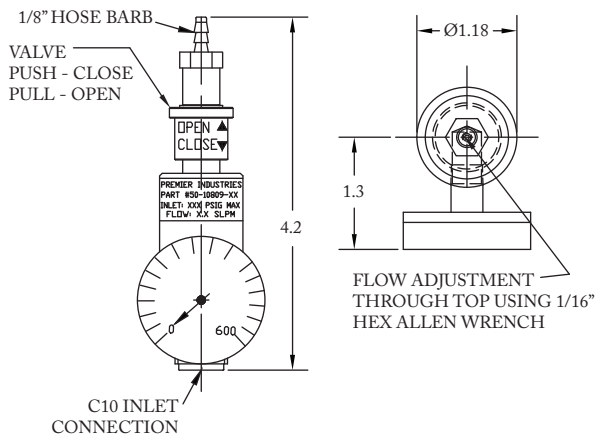
**PART NUMBER 50-10482 | toggle style valve**

(Other part numbers and configurations available,  
contact factory for options)



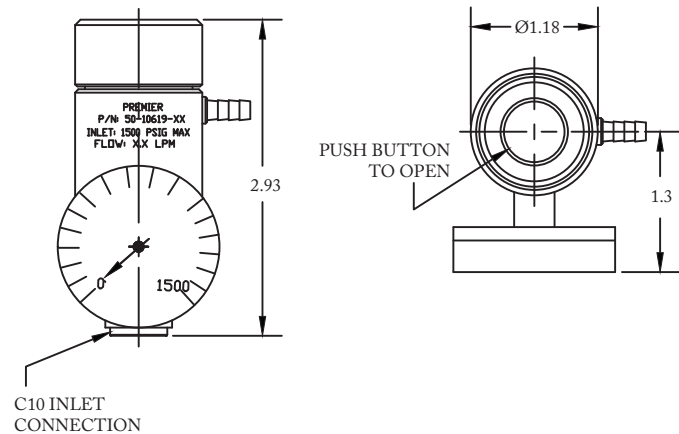
**PART NUMBER 50-10809 | slide valve**

(Other part numbers and configurations available,  
contact factory for options)

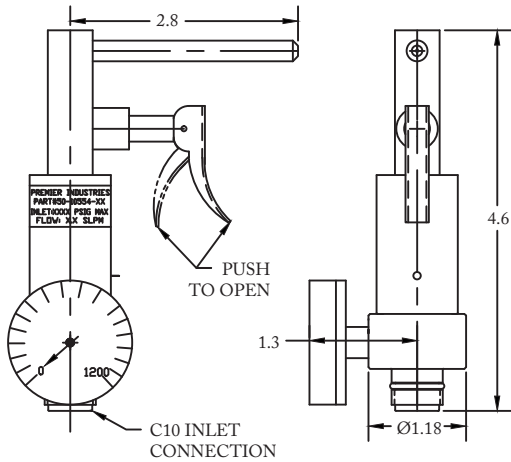


**PART NUMBER 50-10619 | push button valve**

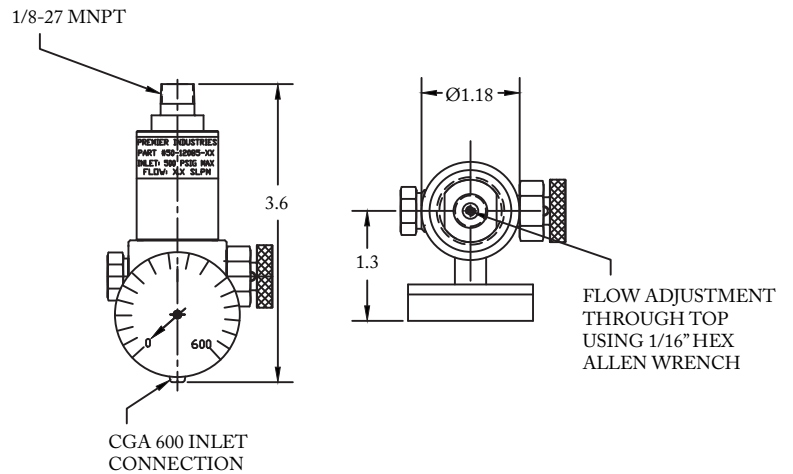
(Other part numbers and configurations available,  
contact factory for options)



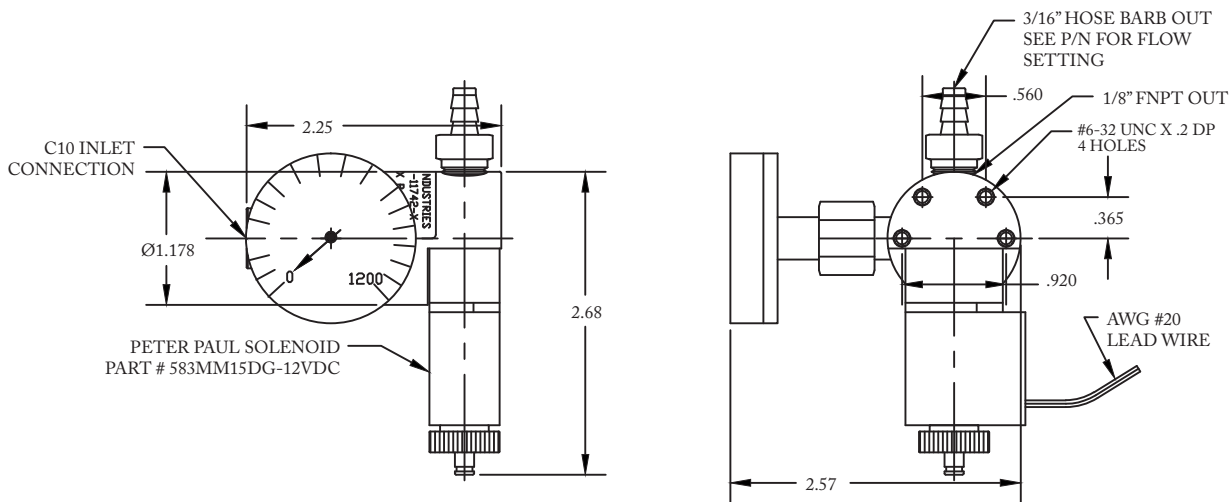
**PART NUMBER 50-10554** | *trigger style valve*  
(Other part numbers and configurations available,  
contact factory for options)



**PART NUMBER 50-12085** | *toggle style valve*  
(Other part numbers and configurations available,  
contact factory for options)



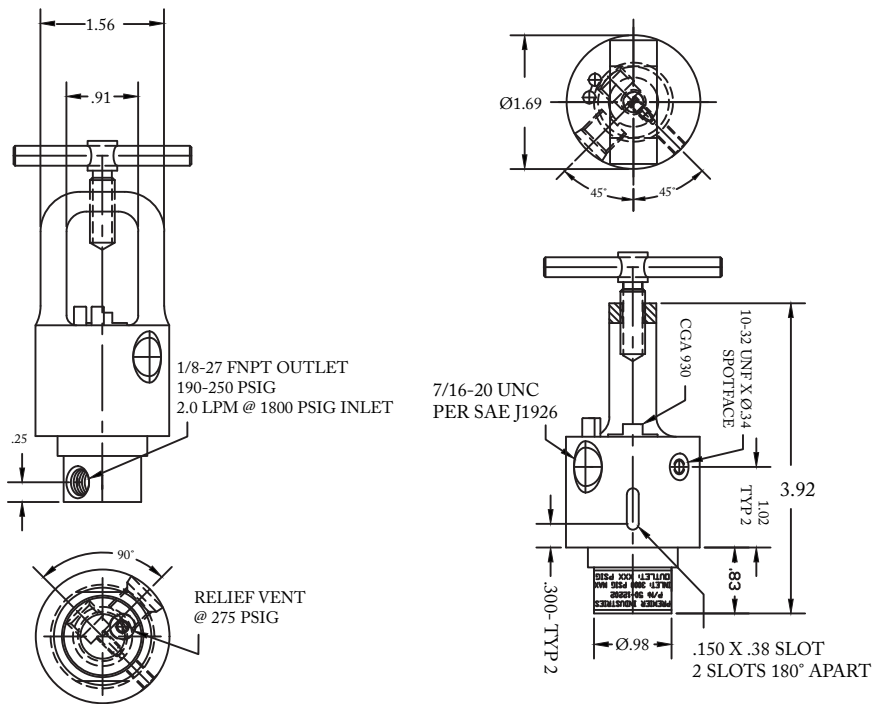
**PART NUMBER 50-11742** | *solenoid outlet*  
(Other part numbers and configurations available,  
contact factory for options)





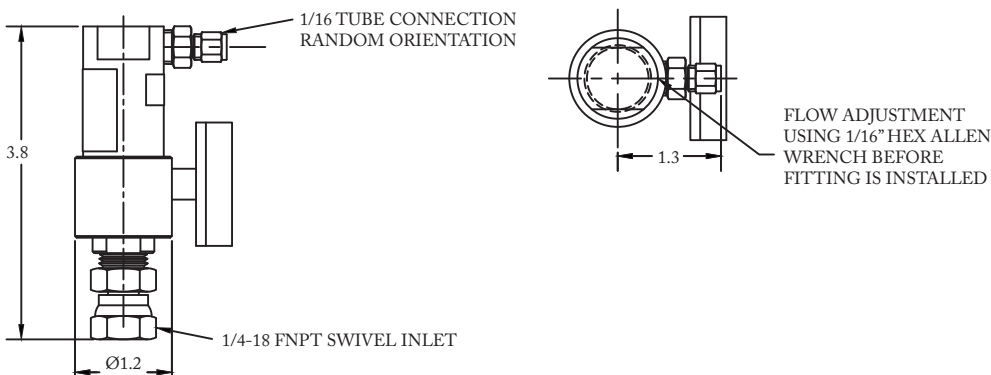
**PART NUMBER 50-12202 | yoke style valve**

*(Other part numbers and configurations available,  
contact factory for options)*



**PART NUMBER 50-10412 | tube connect**

*(Other part numbers and configurations available,  
contact factory for options)*



## 2701 SERIES

Compact, Economical, Fixed Flow, Piston Sensed  
Pressure Reducing Regulators



The Premier Industries 2701 Series regulator is a fixed flow, piston sensed regulator, in a compact economical package; a reliable and cost-effective solution for specialty gas, and transportable cylinder applications. Premier 2701 Series regulators are available with preset flow settings from 0.1 LPM to 4.0 LPM; they are offered in a variety of materials and configurations for smooth integration into your application. Flows are set using a unique integrated flow adjustment valve prior to shipment. Dependent upon the configuration of the regulator, Premier 2701 Series regulators are designed to handle inlet pressures up to 3000 PSIG (206.84 bar).

### FEATURES

- Compact size, economical pricing
- Factory preset flow settings from 0.1 liters/min to 4.0 liters/min
- Optional integrated shut-off valve
- 3000 PSIG (206.84 bar) max inlet (dependent upon configuration)
- Multiple porting options
- Suited for calibration gases & industrial hygiene monitors
- Models are available for both corrosive and non-corrosive service in a variety of materials
- Machined bar stock body, and bonnet eliminates porosity found in castings

**SOME APPLICATIONS WILL REQUIRE A CUSTOM SOLUTION.**  
CONTACT PREMIER INDUSTRIES TO REQUEST A MODIFICATION  
OR A CUSTOM DESIGN.

## SPECIFICATIONS

- **MAXIMUM INLET PRESSURE:**
  - 3000 PSIG (206.84 bar), 1/4" FNPT inlet
  - 1500 PSIG (103.42 bar), C10 (5/8-18 unf) inlet
  - 500 PSIG (34.47 bar), CGA 600 inlet
- **STANDARD PRESET CONTROL PRESSURE:**
  - 40-80 psig (2.76 - 5.52 bar)
- **PRESET FLOW SETTING:**
  - Preset to customer specifications from 0.1-4.0 SLPM  
(at factory or inventory location)
- **FLOW (Cv):** 0.005 max
- **WEIGHT:** 0.35 lb./0.16 kg  
(SAE 360 brass, C10 w/ rotary shut-off)

## MATERIALS OF CONSTRUCTION

- **PROCESS WETTED MATERIALS:**
  - SAE 360 Brass
  - 6061-T6 Aluminum, Clear Anodized

(Other materials available upon request ie: SAE 360 Brass/Bright Dipped, 316 Stainless Steel, 303 Stainless Steel)
- **O-RING MATERIAL OPTIONS:**
  - Buna-N
  - Viton-A®
  - EPDM
  - Neoprene
  - Other elastomers available upon request
- **VALVE SEAT:** PTFE

## PORTING

- **INLET PORTING:**
  - C10 (5/8-18 UNF)
  - 1/4" FNPT
  - 1/8" FNPT
  - Compatible CGA connections available upon request:  
– CGA 165, 180, 320, 510, 580, 600, etc.
- **OUTLET PORTING:**
  - 3/16" Hose Barb
  - 1/4" Hose Barb
  - 1/4", 1/8" FNPT
  - 1/4", 1/8" MNPT

## OPTIONS

- Gauges, gauge internals equivalent to process wetted materials
- Integrated shut-off valve
- Private label

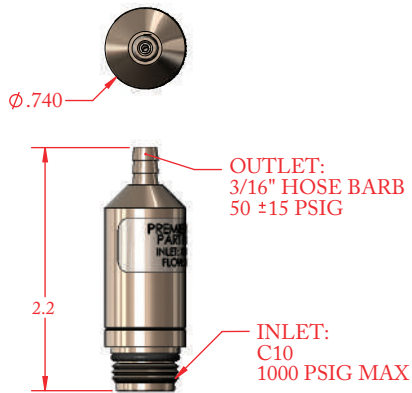
Viton® is a registered trademark of E.I. duPont de Nemours and Company

Contact factory for material certifications. Fees may apply.

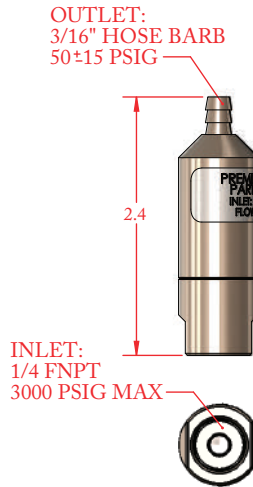
# 2701 SERIES

Compact, Economical, Fixed Flow, Piston Sensed  
Pressure Reducing Regulators

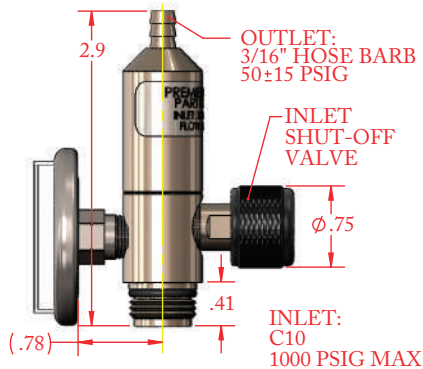
**P/N: 50-12641-21XX**  
*with C10 inlet*



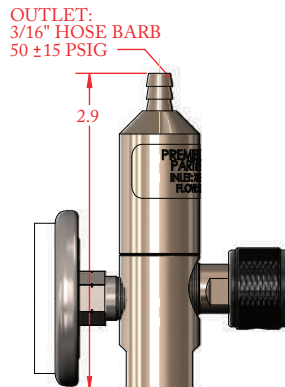
**P/N: 50-12641-11XX**  
*with 1/4\"/>*



**P/N: 50-12640-21XX**  
*with C10 inlet*



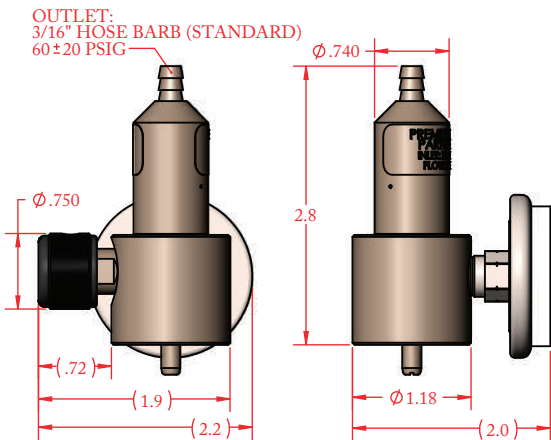
**P/N: 50-12640-11XX**  
*with 1/4\"/>*



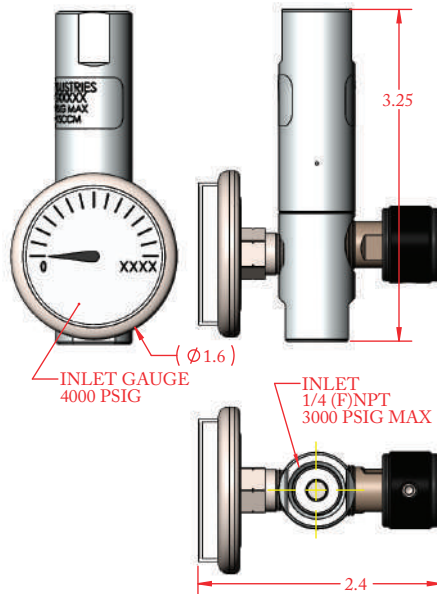
# 2701 SERIES

Compact, Economical, Fixed Flow, Piston Sensed  
Pressure Reducing Regulators

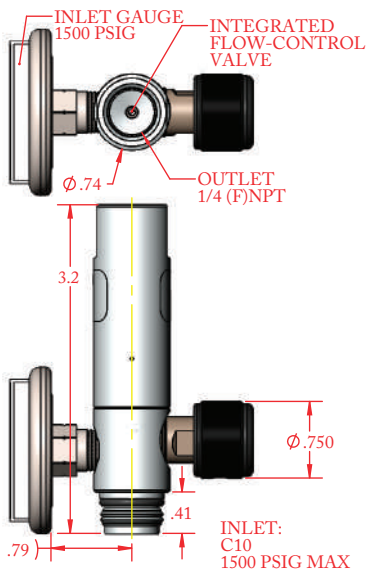
**P/N: 50-12727**  
with CGA 600 inlet



**P/N: 50-13188-12XX**  
with 1/4" FNPT inlet  
and 1/4" FNPT outlet



**P/N: 50-13188-22XX**  
with C10 inlet  
and 1/4" FNPT outlet



# 2701 SERIES

Compact, Economical, Fixed Flow, Piston Sensed  
Pressure Reducing Regulators

PART #	-	1	2	3	4	-	5 . 6
50-12641	-					-	

**C10 OR FNPT INLET, HOSE BARB OUTLET,  
NO GAUGE OR SHUT-OFF VALVE**

1	REGULATOR INLET
1	1/4" FNPT <i>(3000 psig max / 206.84 bar max)</i>
2	C10 <i>(1500 psig max / 103.42 bar max)</i>
2	REGULATOR OUTLET
1	3/16" hose barb
<i>Other outlets available upon request (see page 2)</i>	
3	PROCESS WETTED MATERIALS
1	SAE 360 Brass, Nickel Plated
<i>Other materials available upon request</i>	

4	O-RING MATERIALS
1	BUNA-N
2	VITON-A®
3	EPDM
4	NEOPRENE
<i>Other elastomers available upon request</i>	
5 . 6	PRESET FLOW SETTING
Specify flow setting in slpm. nitrogen gas (0.1-4.0 slpm range, 0.1 slpm resolution)	

*Viton-A® is a registered trademark of E.I. du Pont de Nemours and Company*

*Contact factory for material certifications.  
Fees may apply.*

# 2701 SERIES

Compact, Economical, Fixed Flow, Piston Sensed  
Pressure Reducing Regulators

PART #	-	1	2	3	4	-	5 . 6
50-12640	-					-	

**C10 OR FNPT INLET, HOSE BARB OUTLET,  
INTEGRATED GAUGE AND SHUT OFF VALVE**

1	REGULATOR INLET
1	1/4" FNPT <i>(3000 psig max / 206.84 bar max)</i>
2	C10 <i>(1500 psig max / 103.42 bar max)</i>
2	REGULATOR OUTLET
1	3/16" hose barb
<i>Other outlets available upon request (see page 2)</i>	
3	PROCESS WETTED MATERIALS
1	SAE 360 Brass, Nickel Plated
2	6061-T6 Aluminum, Clear Anodized

4	O-RING MATERIALS
1	BUNA-N
2	VITON-A®
3	EPDM
4	NEOPRENE
<i>Other elastomers available upon request</i>	
5 . 6	PRESET FLOW SETTING
Specify flow setting in slpm. nitrogen gas (0.1-4.0 slpm range, 0.1 slpm resolution)	

*Viton-A® is a registered trademark of E.I.duPont de Nemours and Company*

*Contact factory for material certifications.  
Fees may apply.*

# 2701 SERIES

Compact, Economical, Fixed Flow, Piston Sensed  
Pressure Reducing Regulators

PART #	-	1	2	3	-	4 . 5
50-12727	-				-	

**CGA 600 INLET, HOSE BARB OUTLET,  
INTEGRATED GAUGE AND SHUT-OFF VALVE**

1	REGULATOR OUTLET
1	3/16" hose barb
<i>Other outlets available upon request (see page 2)</i>	
2	PROCESS WETTED MATERIALS
1	SAE 360 Brass, Nickel Plated
<i>Other materials available upon request</i>	

3	O-RING MATERIALS
1	BUNA-N
2	VITON-A®
3	EPDM
4	NEOPRENE
<i>Other elastomers available upon request</i>	
4 . 5	PRESET FLOW SETTING
Specify flow setting in slpm. nitrogen gas (0.1-4.0 slpm range, 0.1 slpm resolution)	

*Viton-A® is a registered trademark of E.I.duPont de Nemours and Company*

*Contact factory for material certifications.  
Fees may apply.*



# 2701 SERIES

Compact, Economical, Fixed Flow, Piston Sensed  
Pressure Reducing Regulators

PART #	-	1	2	3	4	-	5 . 6
50-13188	-					-	

**C10 OR FNPT INLET, FNPT OUTLET,  
INTEGRATED GAUGE AND SHUT OFF VALVE**

1	REGULATOR INLET
1	1/4" FNPT <i>(3000 psig max / 206.84 bar max)</i>
2	C10 <i>(1500 psig max / 103.42 bar max)</i>
2	REGULATOR OUTLET
2	1/4" FNPT
3	BODY/BONNET MATERIALS
1	SAE 360 Brass, Nickel Plated
2	6061-T6 Aluminum, Clear Anodized

4	O-RING MATERIALS
1	BUNA-N
2	VITON-A®
3	EPDM
4	NEOPRENE
<i>Other elastomers available upon request</i>	
5 . 6	PRESET FLOW SETTING
Specify flow setting in slpm nitrogen gas (0.1-4.0 slpm range, 0.1 slpm resolution)	

*Viton® is a registered trademark of E.I. duPont de Nemours and Company*

*Contact factory for material certifications.  
Fees may apply.*

# 2780 SERIES

Micro, Piston Sensed  
Pressure Reducing Regulators



(Part #: 50-11519)



(Part #: 50-11022)

Miniature, economical, piston-sensed, fixed flow, pressure reducing regulators. Premier 2780 Series regulators are used where size, weight, and cost are important. These light-weight, compact regulators feature a fixed flow rate that is factory preset between 0.25 LPM - 9.0 LPM (*or unrestricted*). The 2780 Series regulators shown above are all aluminum, simple and dependable.

## FEATURES

- Extremely compact & light-weight
- Factory preset flow settings from 0.25 liters/min to 7.0 liters/min or unrestricted
- Machined bar stock body, and bonnet eliminates porosity found in castings
- Numerous optional features are available.
- Economical pricing

**SOME APPLICATIONS WILL REQUIRE A CUSTOM SOLUTION.**  
CONTACT PREMIER INDUSTRIES TO REQUEST A MODIFICATION  
OR A CUSTOM DESIGN.

## SPECIFICATIONS

- **MAXIMUM INLET PRESSURE:**  
*(Dependent on inlet connection)*
  - P/N: 50-11095: 1000 psig (68.95 bar)
  - P/N: 50-11022: 400 psig (27.58 bar)
  - P/N: 50-11080: 500 psig (34.47 bar)
  - P/N: 50-11519: 500 psig (34.47 bar)
- **STANDARD PRESET CONTROL PRESSURE:**
  - 50/60 PSIG
  - Other preset control pressures optional
- **FLOW (Cv):**
  - Factory preset Cv 0.25-7.0 LPM  
*(dependent on configuration)*
- **WEIGHT:** ~ 0.05 - 0.10 lbs.

## MATERIALS OF CONSTRUCTION

- **BODY OPTIONS:**
  - 6061-T6 Aluminum, Clear Anodized
  - SAE 360 Brass *(50-11022 only)*
  - 303 Stainless Steel *(50-11022 only)*
- **BONNET OPTIONS:**
  - 6061-T6 Aluminum, Clear Anodized
  - SAE 360 Brass *(50-11022 only)*
  - 303 Stainless Steel *(50-11022 only)*
- **PISTON:**
  - 303 Stainless Steel
- **SEALS:**
  - Viton®
  - *Numerous other compounds available upon request*
- **VALVE SEAT:**
  - PTFE

## PORTING

- **INLET PORTING OPTIONS:**
  - C10 (5/8-18 UNF)
  - CGA 600
  - #10-32 UNF (Female)
- **OUTLET PORTING OPTIONS:**
  - 3/16" Hose Barb
  - #10-32 UNF (Female)

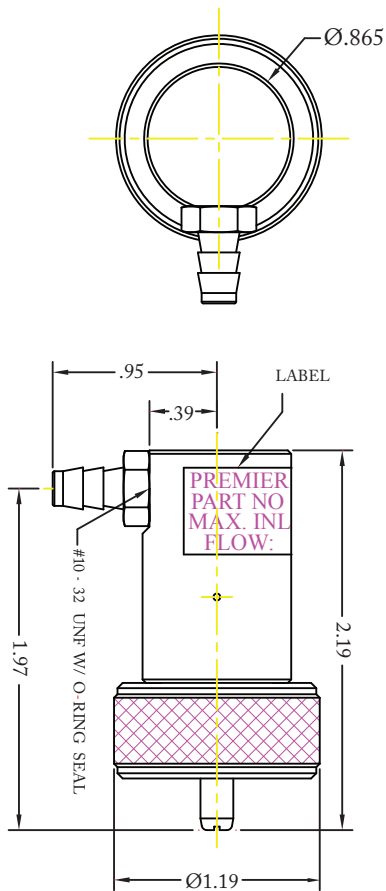
## OPTIONS

- Anodized colors for aluminum bodies and bonnets
- Private label

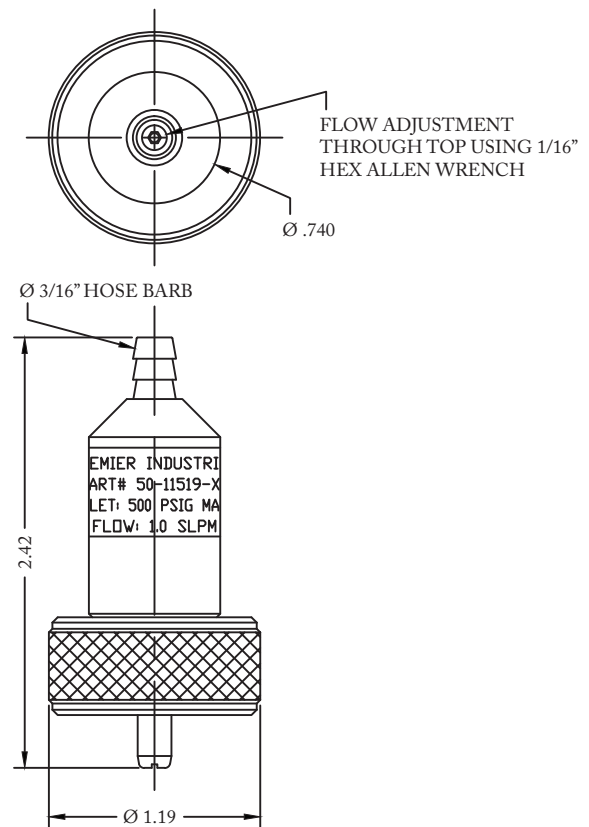
*Viton® is a registered trademark of E.I. duPont de Nemours and Company*

*Contact factory for material certifications. Fees may apply.*

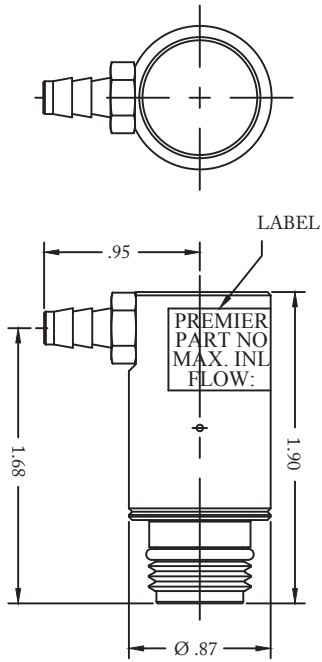
**PART NUMBER: 50-11080**



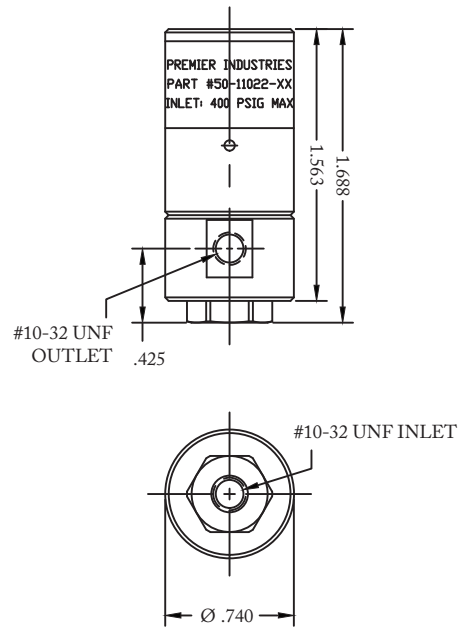
**PART NUMBER: 50-11519**



**PART NUMBER: 50-11095**



**PART NUMBER: 50-11022**



# 2790 SERIES

Micro, Piston Sensed  
Pressure Reducing Regulators



Miniature, economical, piston-sensed, fixed flow, pressure reducing, manifold regulators. 2790 Series regulators are designed drop into a manifold housing, minimizing volume. Premier 2790 Series regulators are rated for inlet pressures up to 3000 psig (*206.84 bar*) and Cv 0.0025. Offered in both single stage and two stage designs.

## FEATURES

- Compact size
- Max Inlet: 1500 psig (*103.42 bar*) or 3000 psig (*206.84 bar*)
- Cv: 0.0025
- Single stage and two stage designs available
- Economical pricing
- Machined bar stock body eliminates porosity found in castings

**SOME APPLICATIONS WILL REQUIRE A CUSTOM SOLUTION.**  
CONTACT PREMIER INDUSTRIES TO REQUEST A MODIFICATION  
OR A CUSTOM DESIGN.

## SPECIFICATIONS

- **MAXIMUM INLET PRESSURE OPTIONS:**
  - 1500 psig (103.42 bar) max
  - 3000 psig (206.84 bar) max
- **PRESET CONTROL PRESSURE OPTIONS:**
  - 30 PSIG (2.07 bar)
  - 45 PSIG (3.10 bar)
  - 150 PSIG (10.34 bar)
  - 250 PSIG (17.24 bar)
  - 500 PSIG (34.47 bar) (50-11398 only)
- **FLOW (Cv):** 0.0025
- **WEIGHT:** ~ 0.05 lbs.

## MATERIALS OF CONSTRUCTION

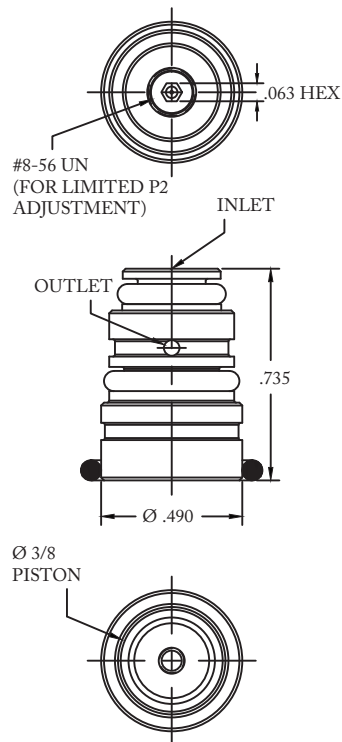
- **BODY OPTIONS:**
  - 6061-T6 Aluminum
  - 316 Stainless Steel
  - 303 Stainless Steel (50-12938 only)
  - Titanium TI-6AL-4V
- **PISTON:**
  - 6061-T6 Aluminum
  - 303 Stainless Steel
  - 316 Stainless Steel (50-12938 only)
  - Titanium TI-6AL-4V
- **PISTON SEAT:**
  - PTFE
- **O-RING SEAL OPTIONS:**
  - Buna-N
  - Viton®
  - EPDM
- **BACK-UP RINGS:**
  - PCTFE

*Viton® is a registered trademark of E.I. du Pont de Nemours and Company*

*Contact factory for material certifications. Fees may apply.*

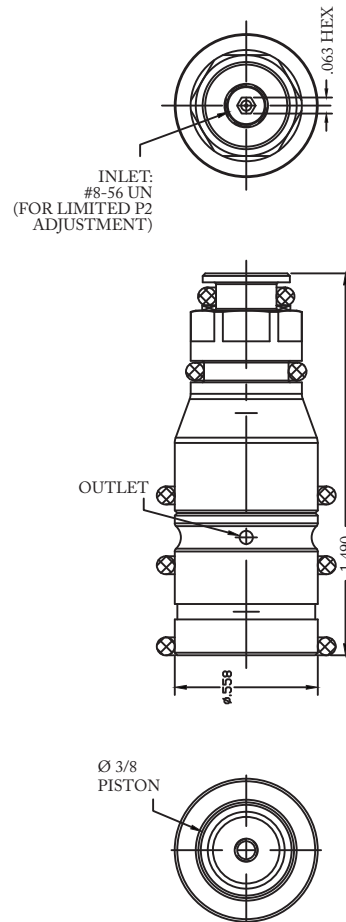
**PART NUMBER: 50-11398**

*Single stage*



**PART NUMBER: 50-12938**

*Two stage*





# 2790 SERIES

Micro, Piston Sensed  
Pressure Reducing Regulators

PART #	1	2	-	3	4	-	5	6
50-11398			-			-		

## SINGLE STAGE

1 2	TYPE
BLANK	Standard (1500 psig max)
HP	High pressure (3000 psig max)
3	MATERIAL
0	6061-T6 Aluminum
1	Stainless Steel
5	Titanium TI-6AL-4V
4	OUTLET PRESSURE
0	500 PSIG (34.47 bar)
1	150 PSIG (10.34 bar)
2	45 PSIG (3.10 bar)
3	30 PSIG (2.07 bar)

5 6	O-RING MATERIAL
00	Buna-n
02	Viton-A®
05	EPDM

*Viton-A® is a registered trademark of E.I.duPont de Nemours and Company*

*Contact factory for material certifications.  
Fees may apply.*

# 2790 SERIES

Micro, Piston Sensed  
Pressure Reducing Regulators

PART #	1	2	-	3	4	-	5	6
50-12938			-			-		

## TWO STAGE

1 2	TYPE
BLANK	Standard (1500 psig max)
HP	High pressure (3000 psig max)
3	MATERIAL
0	6061-T6 Aluminum
1	316 Stainless Steel
2	303 Stainless Steel
5	Titanium TI-6AL-4V

4	OUTLET PRESSURE
A	250 PSIG (17.24 bar)
0	500 PSIG (34.47 bar)
1	150 PSIG (10.34 bar)
2	45 PSIG (3.10 bar)
3	30 PSIG (2.07 bar)
5 6	O-RING MATERIAL
00	Buna-n
02	Viton-A®
05	EPDM

*Viton-A® is a registered trademark of  
E.I. duPont de Nemours and Company*

*Contact factory for material certifications.  
Fees may apply.*

## 2800N SERIES

High Flow, Diaphragm Sensed  
Pressure Reducing Regulators



Premier 2800N Series regulators are high flow, single stage, pressure reducing regulators with a balanced stem for increased outlet pressure stability. These diaphragm sensed, high flow regulators are designed for inlet pressures up to 3000 PSIG (*206.84 bar*), and Cv 1.0 or 2.0. Premier 2800N Series regulators are used to regulate to a broad range of non corrosive and corrosive media (based on materials of construction).

### FEATURES

- Significantly reduced supply pressure effect / increased stability in outlet pressure
- Flow capacity (Cv): 1.0, or 2.0
- Neoprene or Viton® diaphragm (*fabric reinforced*)
- Non-venting
- Machined bar stock body eliminates porosity found in castings
- Very competitive pricing

**SOME APPLICATIONS WILL REQUIRE A CUSTOM SOLUTION.**  
CONTACT PREMIER INDUSTRIES TO REQUEST A MODIFICATION  
OR A CUSTOM DESIGN.

## SPECIFICATIONS

- **MAXIMUM INLET PRESSURE:**
  - 3000 PSIG (206.84 bar)
- **CONTROL PRESSURE RANGES:**
  - 0-10 PSIG (0 - 0.69 bar)
  - 0-15 PSIG (0 - 1.03 bar)
  - 0-40 PSIG (0 - 2.76 bar)
  - 0-100 PSIG (0 - 6.89 bar)
  - 0-150 PSIG (0 - 10.34 bar)
- **FLOW (Cv):** 1.0, or 2.0

## MATERIALS OF CONSTRUCTION

- **BODY:**
  - SAE 360 Brass
  - 6061-T6 Aluminum, Clear Anodize
  - 303 Stainless Steel
- **BONNET:**
  - 6061-T6 Aluminum, Clear Anodize
- **DIAPHRAGM:**
  - Neoprene (*fabric reinforced*)
  - Viton® (*fabric reinforced*)
- **DIAPHRAGM SEALS:**
  - Neoprene
  - Viton®
- **MAIN VALVE SEAT:**
  - PCTFE
- **RELIEF VALVE (OPTIONAL):**
  - Brass with silicone seal

## PORTING

- **INLET:**
  - 1/2" FNPT
  - 1/2" SAE AS5202 (3.00" body diameter)
  - 3/4" FNPT
- **OUTLET: (1 or 2 outlets)**
  - 1/2" FNPT
  - 1/2" SAE AS5202 (3.00" body diameter)
  - 3/4" FNPT
- **GAUGE PORTS:**
  - 1/4 FNPT

## OPTIONS

- Gauges
- Relief Valve
- Private Label
- Panel Mounting Nut(s) (1 or 2)  
(P/N: 50-11355, order separately)

*Viton® is a registered trademark of E.I. duPont de Nemours and Company*

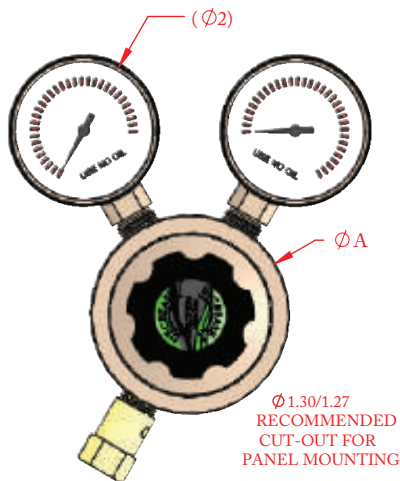
*Contact factory for material certifications. Fees may apply.*

# 2800N SERIES

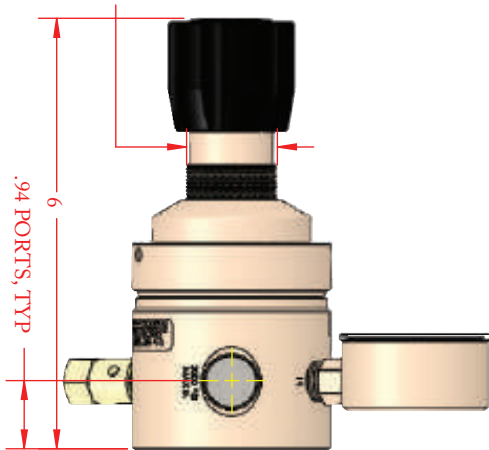
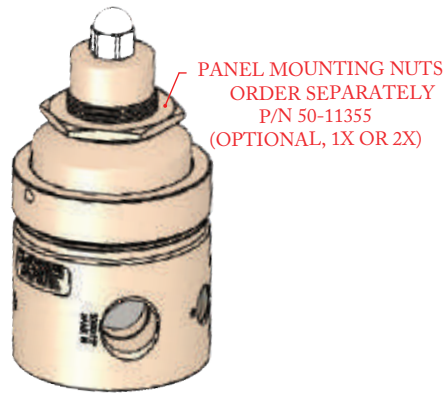
High Flow, Diaphragm Sensed  
Pressure Reducing Regulators

**PART NUMBER: 50-12056**

**PART NUMBER: 50-12056-3X-X2-XX-02**  
*with tamper resistant acorn nut*



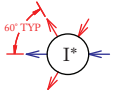
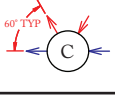
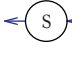
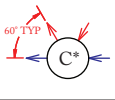
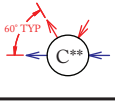

*OPTIONAL RELIEF  
VALVE SHOWN*



PORTING CONFIG	DIM ØA
I*, C, C*, S	2.75"
C**	3.00"

PART #	-	1	2	-	3	4	-	5	6	-	7	8
50-12056	-			-			-			-		

1	BODY MATERIAL & FINISH
1	SAE 360 Brass, cleaned per spec #515
3	6061-T6 Aluminum, Clear Anodize
4	303 Stainless Steel, cleaned per spec #515
2	DIAPHRAGM / SEALS
1	Neoprene
2	Viton®
3	MAIN VALVE SEAT
1	PCTFE

4	RELIEF VALVE / PORTING
1	 Relief valve included, 1/4 FNPT ports (red) 1/2 FNPT ports (blue) "I*" porting
2	 No relief valve, 1/4 FNPT ports (red) 1/2 FNPT ports (blue) "C" porting
3	 No relief valve, 3/4 FNPT ports "S" porting
4	 No relief valve, 1/4 FNPT ports (red) 3/4 FNPT ports (blue) "C*" porting
5	 No relief valve, 1/4 FNPT ports (red) 1/2 SAE AS5202 ports (blue) "C**" porting
6	 No relief valve, 1/2 SAE AS5202 ports (blue) "S*" porting
5	OUTLET PRESSURE
1	0-10 PSIG / 0-0.69 bar
2	0-15 PSIG / 0-1.03 bar
3	0-40 PSIG / 0-2.76 bar
4	0-100 PSIG / 0-6.89 bar
5	0-150 PSIG / 0-10.34 bar

6	MAIN VALVE Cv
1	Cv 1.0
2	Cv 2.0
7	GAUGES
0	None
1	Include Ø2.0" gauges
8	HAND KNOB / ACORN NUT (PRESET)
1	Hand knob
2	Preset outlet ** (tamper resistant acorn nut)

**\*\*TAMPER RESISTANT ACORN NUT**

THE END USER IS RESPONSIBLE TO SPECIFY A PRESET OUTLET PRESSURE. IF AN OUTLET PRESSURE IS NOT SPECIFIED, THE PRESSURE WILL BE LEFT UNSET. NEVER EXCEED THE MAXIMUM OUTLET PRESSURE SPECIFIED ON THE PART NUMBER.

CAUTION: NEVER EXCEED THE MAXIMUM OUTLET PRESSURE SPECIFIED BY THE PART NUMBER

Contact factory for material certifications. Fees may apply.

# 2800P SERIES

High Flow, Piston Sensed  
Pressure Reducing Regulators



Premier 2800P Series regulators are single stage regulators with a balanced stem for increased outlet pressure stability. These piston sensed, high flow regulators feature inlet pressures up to 3000 PSIG (*206.84 bar*), and Cv 2.0 or 1.0. Premier 2800P Series regulators are used to regulate to a broad range of corrosive and non-corrosive media (based on materials of construction).

## FEATURES

- Significantly reduced supply pressure effect / increased stability in outlet pressure
- High flow capacity (Cv): 2.0 or 1.0
- Piston sensed
- Non-venting
- Variety of materials available
- Machined bar stock body eliminates porosity found in castings
- Very competitive pricing

**SOME APPLICATIONS WILL REQUIRE A CUSTOM SOLUTION.**  
CONTACT PREMIER INDUSTRIES TO REQUEST A MODIFICATION  
OR A CUSTOM DESIGN.

## SPECIFICATIONS

- **MAXIMUM INLET PRESSURE:**
  - 3000 PSIG (206.84 bar)
- **CONTROL PRESSURE RANGES:**
  - 0-120 PSIG (0 - 8.27 bar)
  - 0-125 PSIG (0 - 8.62 bar)
  - 0-150 PSIG (0 - 10.34 bar)
  - 0-250 PSIG (0 - 17.24 bar)
  - 0-350 PSIG (0 - 24.13 bar)
  - 0-500 PSIG (0 - 34.47 bar)
- **FLOW (Cv):** 2.0 (standard) 1.0 optional

## MATERIALS OF CONSTRUCTION

- **BODY / BONNET OPTIONS:**
  - 6061-T6 Aluminum / Clear Anodized
  - SAE 360 Brass / Nickel Plated \*  
*\*Contact factory for pricing*
  - 316 Stainless Steel / PI #515 cleaning
  - 303 Stainless Steel / PI #515 cleaning  
(P/N 50-102230 only)
  - SAE 360 Brass / PI #515 cleaning  
(P/N 50-102230 only)
- **PISTON:**
  - 303 Stainless Steel
  - 316 Stainless Steel
- **MAIN VALVE SEAT OPTIONS:**
  - PEEK®
  - PCTFE
- **ELASTOMER SEAL OPTIONS:**
  - BUNA-N
  - Viton®
  - EPDM
- **MAIN VALVE PARTS:**
  - 303 stainless steel and 316 stainless steel wetted alloys  
(used in aluminum, brass, and 303 stainless steel body/bonnet options)
  - All 316 stainless steel and Nitronic 60 wetted alloys  
(used in 316 stainless steel body/bonnet option)

## PORTING

- **INLET/OUTLET OPTIONS:**
  - 1/2" FNPT
  - 3/8" FNPT
  - 3/4" FNPT
  - Flanged connections available, contact Premier for more information
- **GAUGES:** 1/4-18 FNPT

## OPTIONS

- Gauges
- Adjustable hand knob, 500 PSIG max outlet  
(P/N: 50-12230)
- Tamper resistant acorn nut, 500 PSIG max outlet  
(P/N: 50-12231)
- Relief valve
- Private label
- Panel mounting nuts (1 or 2) P/N: 50-11803

Vespel® and Viton® are registered trademarks of E.I. duPont de Nemours and Company

PEEK® is a registered trademark of Victrex PLC

Contact factory for material certifications. Fees may apply.

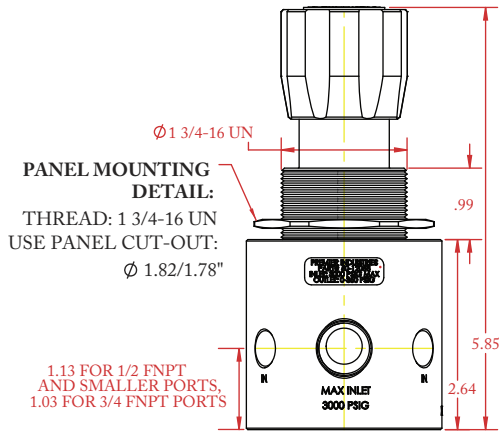


# 2800P SERIES

High Flow, Piston Sensed  
Pressure Reducing Regulators

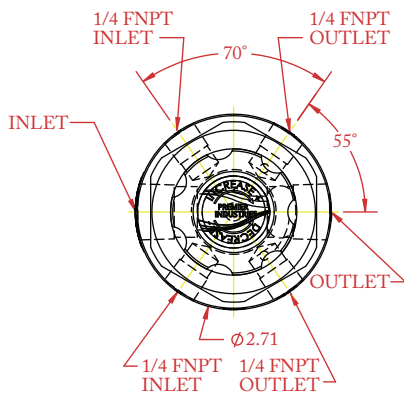
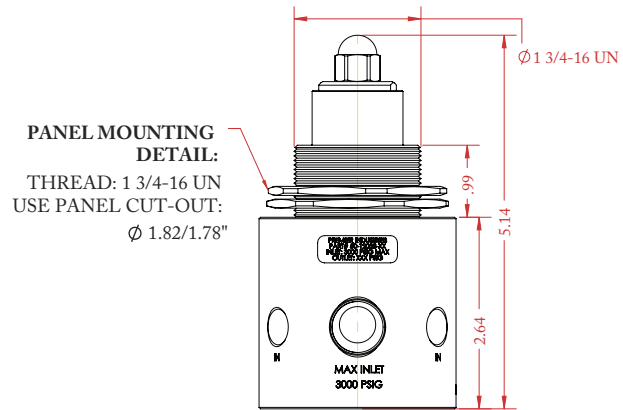
## PART NUMBER: 50-12230

*standard design*  
500 PSIG max outlet

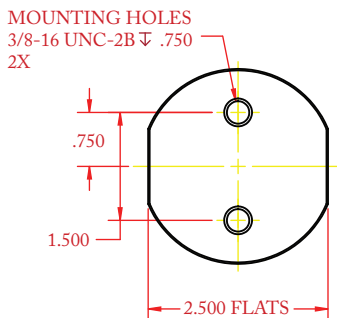


## PART NUMBER: 50-12231

*tamper resistant acorn nut*  
500 PSIG max outlet



### OPTIONAL SURFACE MOUNTING OPTION:

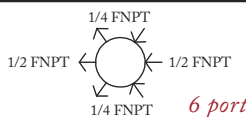
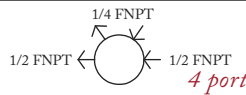
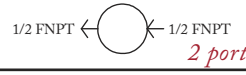
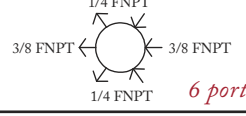
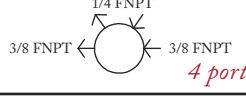

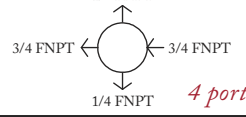
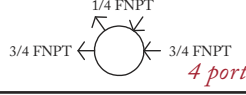
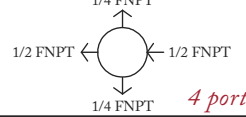
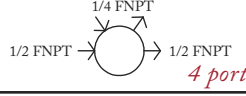
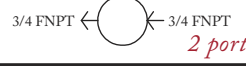



PART #	-	1	2	3	4	5	6	7	8	-	MODS
50-12230	-									-	

**STANDARD HAND KNOB**

1	BODY/ BONNET MATERIAL
1	6061-T6 Aluminum, Clear Anodize
2	SAE 360 Brass, Nickel Plated
3	316 Stainless Steel, Clean per spec #515
4	303 Stainless Steel, Clean per spec #515
5	SAE 360 Brass, Clean per spec #515
2	ELASTOMER SEALS
1	Buna-n
2	Viton®
3	EPDM
3	SEAT MATERIAL
1	PCTFE
2	PEEK®

4	OUTLET PRESSURE
1	0-500 PSIG (0 - 34.47 bar)
2	0-125 PSIG (0 - 8.62 bar)
3	0-120 PSIG (0 - 8.27 bar)
4	0-350 PSIG (0 - 24.13 bar)
5	0-150 PSIG (0 - 10.34 bar)
6	0-250 PSIG (0 - 17.24 bar)
5	GAUGES
1	None
2	Standard Ø2.0" gauges
3	Non-standard Ø2.5" gauges
<i>Gauges not available on C &amp; F porting configurations, outlet gauge only available on G &amp; I porting configurations.</i>	
6	PANEL MOUNTING NUT
0	None
1	1 mounting nut
2	2 mounting nuts

7	PORTING CONFIGURATION
A	 <p>6 port</p>
B	 <p>4 port</p>
C	 <p>2 port</p>
D	 <p>6 port</p>
E	 <p>4 port</p>
F	 <p>2 port</p>
G	 <p>4 port</p>
H	 <p>4 port</p>
I	 <p>4 port</p>
J	 <p>4 port</p>
K	 <p>2 port</p>
Z	 <p>2 port</p>

8	MOUNTING HOLES
0	None
1	Surface mount
MODS	
L	Cv 1.0 (Cv 2.0 standard)

PEEK® is a registered trademark of Victrex PLC  
Viton® is a registered trademark of E.I. duPont de Nemours & Company

\* All ports are 1/4" FNPT unless otherwise indicated on the porting configurations.

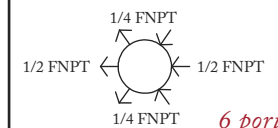
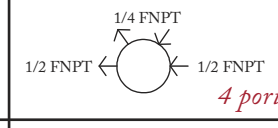
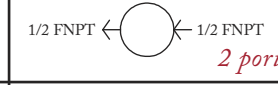
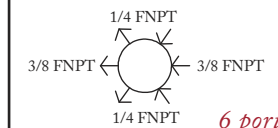
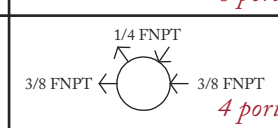
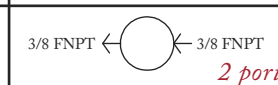
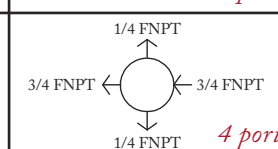
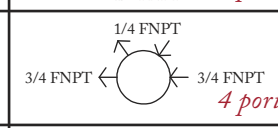
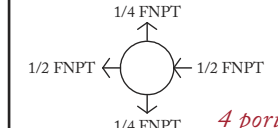
Contact factory for material certifications. Fees may apply.

PART #	-	1	2	3	4	5	6	7	8	-	MODS
50-12231	-									-	

**PRESET OUTLET / ACORN NUT**

1	BODY & BONNET MATERIAL (Wetted Materials)
1	6061-T6 Aluminum, Clear Anodize <i>(303 Stainless Steel &amp; 316 Stainless Steel)</i>
2	SAE 360 Brass, Nickel Plated <i>(303 Stainless Steel &amp; 316 Stainless Steel)]</i> <i>Contact factory for pricing</i>
3	316 Stainless Steel, Clean per spec #515 <i>(316 Stainless Steel &amp; Nitronic 60)</i>
2	ELASTOMER SEALS
1	Buna-n
2	Viton®
3	EPDM
3	SEAT MATERIAL
1	PCTFE
2	PEEK®

4	OUTLET PRESSURE
1	0-500 PSIG <i>(0 - 34.47 bar)</i>
2	0-125 PSIG <i>(0 - 8.62 bar)</i>
3	0-120 PSIG <i>(0 - 8.27 bar)</i>
4	0-350 PSIG <i>(0 - 24.13 bar)</i>
5	0-150 PSIG <i>(0 - 10.34 bar)</i>
6	0-250 PSIG <i>(0 - 17.24 bar)</i>
5	GAUGES
1	None
2	Include gauges
6	PANEL MOUNTING NUT
0	None
1	1 mounting nut
2	2 mounting nuts

7	PORTING CONFIGURATION
A	 <p>6 port</p>
B	 <p>4 port</p>
C	 <p>2 port</p>
D	 <p>6 port</p>
E	 <p>4 port</p>
F	 <p>2 port</p>
G	 <p>4 port</p>
H	 <p>4 port</p>
I	 <p>4 port</p>

8	MOUNTING HOLES
0	None
<i>Contact Premier for mounting options</i>	
MODS	
XXX	Preset outlet pressure (XXX) <i>E.g. 075 = 75 PSIG</i> <i>**The end user is responsible to specify a preset outlet pressure. If an outlet pressure is not specified, the pressure will be left unset. Never exceed the maximum outlet pressure specified on the part number.</i>
L	Cv 1.0 <i>(Cv 2.0 standard)</i>
M	MOLYKOTE 44 MEDIUM
<i>Separate multiple modifications with a dash</i> <i>e.g. 125 psig preset outlet pressure w/ Cv 1.0 = 125-L</i>	

PEEK® is a registered trademark of Victrex PLC

Viton® is a registered trademark of E.I.duPont de Nemours & Company

Contact factory for material certifications. Fees may apply.

# 2800PDL SERIES

Dome Loaded, High Flow, Piston Sensed  
Pressure Reducing Regulators



Premier 2800PDL Series regulators are single stage, high flow, piston sensed regulators with a balanced stem for increased delivery pressure stability. These piston sensed, high flow regulators feature inlet pressures up to 3000 PSIG (206.84 bar), and Cv 2.0. Premier 2800PDL Series regulators feature a 1:1 dome load and max control pressure of 1000 PSIG (68.95 bar). They are used to regulate to a broad range of corrosive and non-corrosive media (*based on materials of construction*).

## FEATURES

- Significantly reduced supply pressure effect / increased stability in outlet pressure
- High flow capacity (Cv): 2.0
- Piston sensed
- 1:1 dome load (1000 PSIG / 68.95 bar MAX)
- 3000 PSIG max inlet
- Variety of materials available
- Non-venting
- Machined bar stock body eliminates porosity found in castings
- Very competitive pricing

**SOME APPLICATIONS WILL REQUIRE A CUSTOM SOLUTION.**  
CONTACT PREMIER INDUSTRIES TO REQUEST A MODIFICATION  
OR A CUSTOM DESIGN.

## SPECIFICATIONS

- **MAXIMUM INLET PRESSURE:**
  - 3000 PSIG (206.84 bar)
- **MAXIMUM CONTROL PRESSURE:**
  - 1000 PSIG (68.95 bar)
- **DOME LOAD:**
  - 1:1, 1000 PSIG (68.95 bar) max
- **FLOW (Cv):** 2.0

## MATERIALS OF CONSTRUCTION

- **BODY:**
  - 6061-T6 Aluminum / Clear Anodized
  - 316 Stainless Steel
  - SAE 360 Brass / Nickel Plated\*
  - \*Contact factory for pricing*
- **BONNET:**
  - 6061-T6 Aluminum / Clear Anodized
  - 316 Stainless Steel
  - SAE 360 Brass / Nickel Plated
- **PISTON:**
  - 303 Stainless Steel
  - 316 Stainless Steel
- **MAIN VALVE SEAT:**
  - PCTFE
  - PEEK®
- **ELASTOMER SEALS:**
  - Nitrile
  - Viton®
  - EPDM
- **MAIN VALVE PARTS:**
  - 300 series stainless steel  
*(used in aluminum and brass body options)*
  - 316 stainless steel & nitronic 60  
*(used in 316 stainless steel body option)*
- **OPTIONAL PANEL MOUNTING NUT:**  
*(non-wetted)*
  - 6061-T6 Aluminum/Nickel Plated

## PORTING

- **INLET OPTIONS:**
  - 1/2" FNPT
  - 3/8" FNPT
  - 3/4" FNPT
- **OUTLET:**
  - 1/2" FNPT
  - 3/8" FNPT
  - 3/4" FNPT
- **GAUGES:**
  - 1/4-18 FNPT

## OPTIONS

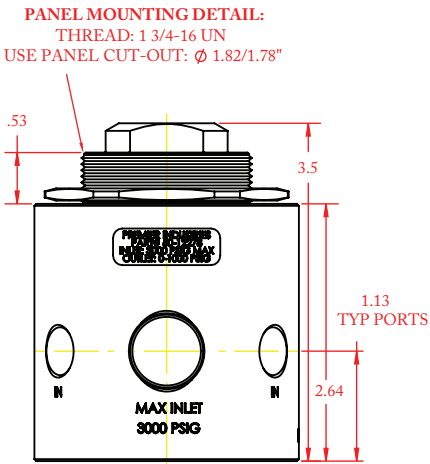
- Panel Mounting Nut(s) (1 or 2) P/N 50-11803
- Gauges & mounting holes (contact Premier)
- Private Label

*Viton® is a registered trademark of E.I. du Pont de Nemours and Company*

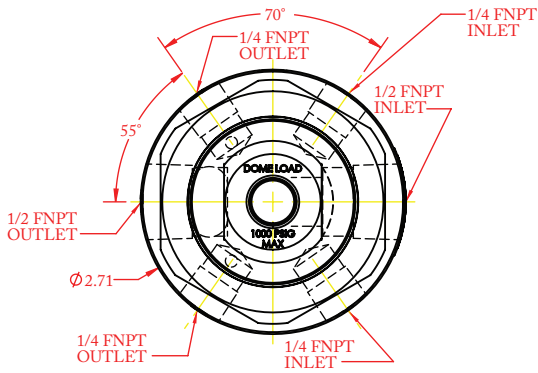
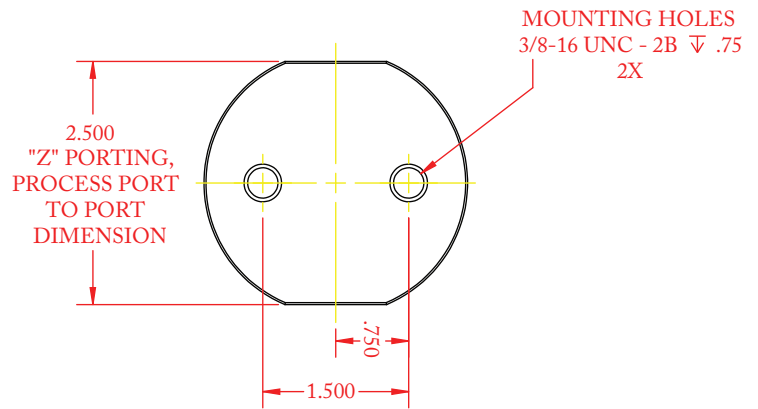
*PEEK® is a registered trademark of Victrex PLC*

*Contact factory for material certifications. Fees may apply.*

**PART NUMBER: 50-12278-3XX11A0**  
*SHOWN BELOW*

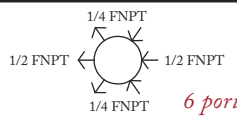
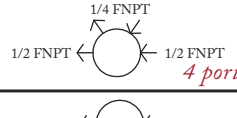
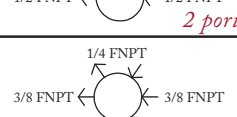
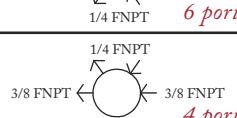
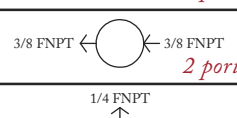
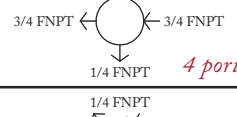
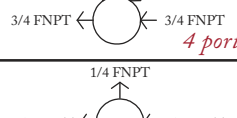
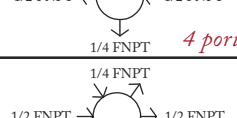
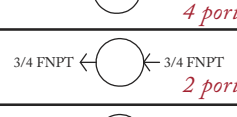
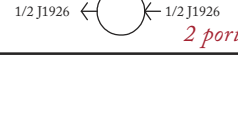




**OPTIONAL MOUNTING HOLE AND "Z" PORTING REFERENCE VIEW**



PART #	-	1	2	3	4	5	6	7	-	MODS
50-12278	-								-	

1	BODY & BONNET MATERIAL & FINISH
1	6061-T6 Aluminum <i>Clear Anodize</i>
2	316 Stainless Steel <i>Clean per spec #515</i>
3	SAE 360 Brass, <i>Nickel Plated</i> <i>Contact factory for pricing</i>
2	ELASTOMER SEALS
1	Nitrile
2	Viton®
3	EPDM
3	SEAT MATERIAL
1	PCTFE
4	GAUGES
0	None
5	OPTIONAL PANEL MOUNTING NUT(S)
0	None
1	1 mounting nut
2	2 mounting nuts

6	PORTING CONFIGURATION
A	
B	
C	
D	
E	
F	
G	
H	
I	
J	
K	
Z	

7	MOUNTING HOLES
0	None
1	Surface mount <i>(See pg 3 for details)</i>
MODIFICATIONS	
BLANK	None
H	Hydrogen gas use <i>(316 SS body/bonnet option only)</i>

*Viton® is a registered trademark of E.I.duPont de Nemours and Company*

*PEEK® is a registered trademark of Victrex PLC*

*Contact factory for material certifications. Fees may apply.*

## 2900 SERIES

Adjustable Flow, Piston Sensed  
Pressure Reducing Regulators



Single stage design  
P/N: 50-11387-01



Two stage design  
P/N: 50-11573

The Premier 2900 Series adjustable flow, piston sensed, variable flow regulators are commonly used with calibration gases and industrial hygiene monitors. Premier 2900 Series regulators have an integral orifice plate capable of providing up to 11 different flow settings with the simple rotation of a hand knob. Indicated flows are approximate and will vary with changes in inlet pressure and normal variations in internal components. The optional two-stage design provides increased flow stability by reducing the impact of variations in cylinder pressure. Regulators should not be used for precise flow calibration purposes. Models are available for both corrosive and non-corrosive service.

## FEATURES

- Compact size
- Piston sensed
- Click stop, 12 position, variable flow settings from 0 to 8.0 liters/min
- Machined bar stock body, bonnet and piston eliminates porosity found in castings
- Integral pressure relief valve
- Economically priced
- Optional two stage design is available for increased pressure and flow stability throughout the range of inlet pressure variations.

**SOME APPLICATIONS WILL REQUIRE A CUSTOM SOLUTION.**  
CONTACT PREMIER INDUSTRIES TO REQUEST A MODIFICATION  
OR A CUSTOM DESIGN.



## SPECIFICATIONS

- **MAXIMUM INLET PRESSURE:**
  - 3500 PSIG (241.32 bar)  
(with appropriate inlet connection)
- **STANDARD PRESET CONTROL PRESSURE:**
  - 15 PSIG (1.03 bar) outlet pressure
- **FLOW (C<sub>v</sub>):**
  - 0.3, 0.5, 1.0, 1.5, 2.0, 2.5, 3.0, 5.0, 6.0, 7.0, 8.0 SLPM

## MATERIALS OF CONSTRUCTION

- **BODY:**
  - 6061-T6 Aluminum, Clear Anodized
- **PISTON:**
  - SAE 360 Brass
  - 303 Stainless Steel
- **PISTON SEALS:**
  - Viton®
  - Numerous other compounds available
- **VALVE SEAT:**
  - PTFE
- **ORIFICE PLATE:**
  - Standard: Ceramic

## PORTING

- **STANDARD INLET:**
  - C-10 (5/8"-18 UNF)
- **OPTIONAL INLETS:**
  - 1/8" or 1/4" FNPT or MNPT
  - All CGA Connections Available:
    - CGA 165, 180, 320, 510, 580, 600, etc.
- **STANDARD OUTLET:**
  - 1/8" FNPT
- **OPTIONAL OUTLETS:**
  - 1/8", 3/16", or 1/4" Hose Barb
  - 1/8" MNPT

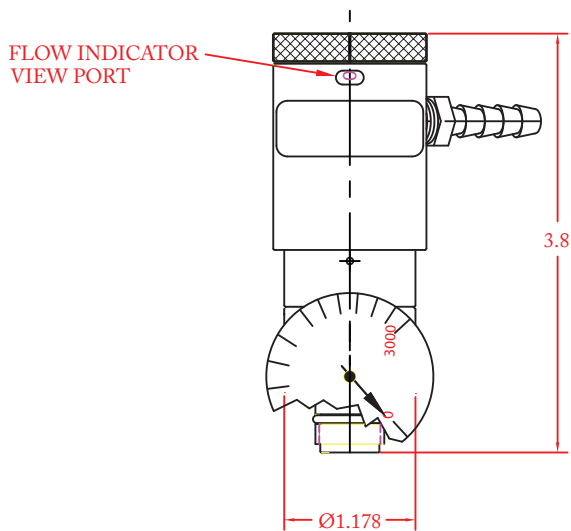
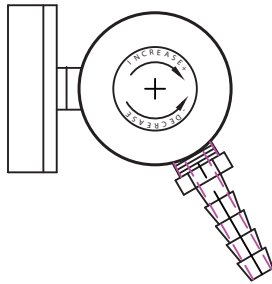
## OPTIONS

- Gauges
- Anodized Colors for Aluminum Bodies and Bonnets
- Private Label
- Two stage designs
- 1/4" inlet (P/N: 50-10385, 50-11321)
- 1/8" inlet (P/N: 50-11840)

Viton® is a registered trademark of E.I. duPont de Nemours and Company

Contact factory for material certifications. Fees may apply.

PART NUMBER: 50-11387-01



## 3000 SERIES

High Pressure, Piston Sensed  
Pressure Reducing Regulators



The high pressure Premier 3000 Series pressure reducing regulators are single stage, piston sensed, variable delivery, pressure reducing regulators, rated for inlet and outlet pressures up to 10000 PSIG (689.5 bar) and Cv 0.06, 0.12, or 0.2.

Premier 3000 Series regulators are used to regulate a broad range of non-corrosive and corrosive media (based on materials of construction). They are designed for increased serviceability and reliable operation with the integral 15 micron stainless steel valve cartridge filter. Premier 3000 Series regulators can be supplied with a wide range of inlet and outlet configurations for smooth integration into your desired application.

### FEATURES

- Self-venting with adjustable bonnet vent valve
- Non-venting and captured venting options available
- 15 micron sintered 316 stainless steel inlet filter
- Cv 0.06, 0.12, or 0.2
- Optional tamper resistant acorn nut
- Multiple mounting options (bracket/panel nuts/surface mount)
- Machined bar stock body, bonnet and piston eliminates porosity found in casting

**SOME APPLICATIONS WILL REQUIRE A CUSTOM SOLUTION.**  
CONTACT PREMIER INDUSTRIES TO REQUEST A MODIFICATION  
OR A CUSTOM DESIGN.

## SPECIFICATIONS

- **MAXIMUM INLET PRESSURE (brass):**
  - 6000 PSIG (413.7 bar)
- **MAXIMUM INLET PRESSURE (SS):**
  - 10000 PSIG (689.5 bar)
- **OUTLET PRESSURE RANGES:**  
(Dependent upon configuration. See tables on pages 4, 5, and 6 for the outlet pressure ranges available for each model.)
  - 0-300 PSIG (0-20.7 Bar)
  - 0-400 PSIG (0-27.6 Bar)
  - 0-500 PSIG (0-34.5 Bar)
  - 0-800 PSIG (0-55.2 Bar)
  - 0-1000 PSIG (0-68.9 Bar)
  - 10-1000 PSIG (0.69-68.9 Bar)
  - 10-1500 PSIG (0.69-103.4 Bar)
  - 15-2500 PSIG (1.0-172.4 Bar)
  - 25-4000 PSIG (1.7-275.8 Bar)
  - 50-6000 PSIG (3.4-413.7 Bar)
  - 100-10000 PSIG (6.9-689.5 Bar)
- **FLOW (Cv):** 0.06, 0.12, or 0.2

## MATERIALS OF CONSTRUCTION

- **BODY OPTIONS:**
  - SAE 360 brass
  - 316 Stainless Steel
- **BONNET OPTIONS:**
  - SAE 360 brass
  - 17-4 Stainless Steel
  - 316 Stainless Steel
- **WETTED, OTHER:**
  - 316 Stainless Steel
  - 17-4 Stainless Steel
- **SEAL OPTIONS:**
  - Viton-A®
  - Buna-N
  - EPDM
  - Kalrez (Contact factory for Kalrez® pricing)
  - Other compounds available upon request
- **BACK-UP RINGS:** PTFE & PCTFE
- **VALVE SEAT OPTIONS:**
  - Vespel® (10000 psig max inlet)
  - PEEK® (6000 psig max inlet)
  - PCTFE (3000 psig max inlet)

(Standard 30-10212 SEAT: Vespel®)

## PORTING

- **INLET PORTING:**
  - 1/4" FNPT (standard)
- **OUTLET PORTING:**
  - 1/4" FNPT (standard)

See the table on page 4 for other porting options (P/N 30-10212)

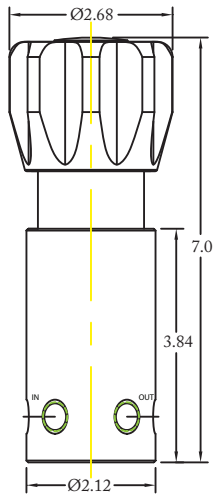
## OPTIONS

- Gauges
- Private label
- Panel mounting bracket: P/N: 30-10059 (Ø2.15 panel hole)
- Panel mounting nuts: P/N: 30-10189 (Ø2.28 panel hole)
- Tamper resistant acorn nut (P/N: 30-10000, or 30-10212)
- Captured vent port model (P/N: 30-10206)

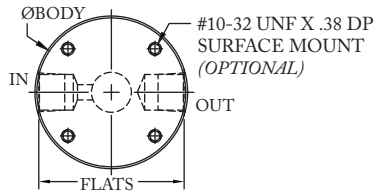
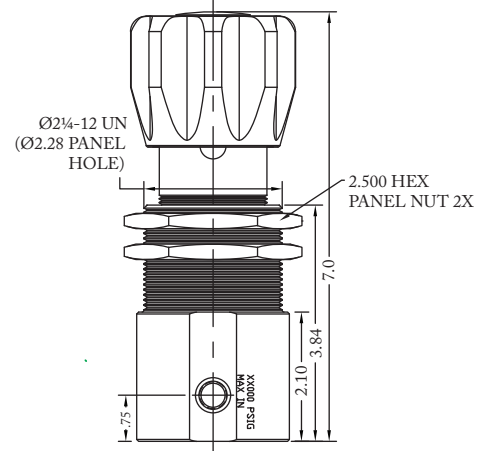
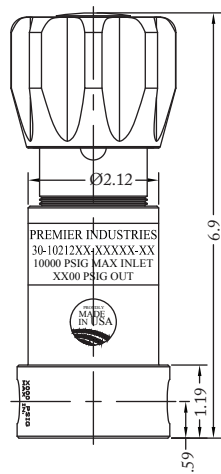
Vespel® Kalrez® and Viton-A® are registered trademarks of E.I. duPont de Nemours and Company. PEEK® is a registered trademark of Victrex PLC

Contact factory for material certifications. Fees may apply.

**PART NUMBER: 30-10000**



**PART NUMBER: 30-10212**

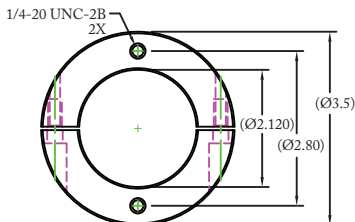


PORT TYPE	ØBODY	FLATS
NPT	Ø2.48	—
1/4" M.P. & H.P.	Ø2.48	2.36
1/4" SAE J1926	Ø2.73	2.52
1/4" SAE AS5202	Ø2.98	2.81
3/8" SAE	Ø2.98	2.81
3/8" M.P. & H.P.	Ø2.98	2.81
1/2" SAE	Ø3.23	2.98
9/16" M.P. & H.P.	Ø3.23	3.00

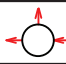
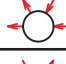
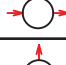
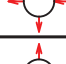
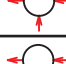

**PART NUMBER: 30-10059**

**OPTIONAL PANEL MOUNTING BRACKET**

(for Ø2.12 body or mounting bracket style regulator body)



PART #	-	1	2	3	4	-	5 6	-	7	MODS
30-10000	-					-		-		

1	BODY/BONNET MATERIALS (MAX. INLET PRESSURE)
1	SAE 360 Brass Body & Bonnet (6000 PSIG / 413.7 Bar)
2	316SS Body, 17-4SS Bonnet (10000 PSIG / 689.5 Bar)
3	316SS Body & Bonnet (10000 PSIG / 689.5 Bar)
4	SAE 360 Brass Body & Bonnet (3000 PSIG / 206.8 Bar) <i>*Rated for select CGA fittings</i>
5	316SS Body, 17-4SS Bonnet (3000 PSIG / 206.8 Bar) <i>*Rated for select CGA fittings</i>
2	PORTING CONFIGURATION (1/4 FNPT)
A	
C	
D	
E	
L	
S	

3	OUTLET PRESSURE
B	0-300 PSIG (0-20.7 Bar)
A	0-400 PSIG (0-27.6 Bar)
1	0-500 PSIG (0-34.5 Bar)
0	0-800 PSIG (0-55.2 Bar)
2	0-1000 PSIG (0-68.9 Bar)
3	10-1500 PSIG (0.69-103.4 Bar)
4	15-2500 PSIG (1.0-172.4 Bar)
5	25-4000 PSIG (1.7-275.8 Bar)
6	50-6000 PSIG (3.4-413.7 Bar)
7	100-10000 PSIG (6.9-689.5 Bar) (stainless steel only)
4	FLOW (Cv)
0	Cv 0.06
1	Cv 0.12
2	Cv 0.2

5 6	O-RINGS
00	BUNA-N
02	VITON-A®
05	EPDM
11	KALREZ® <i>(Contact factory for pricing)</i>
12	NITRILE, LO-TEMP
<i>(Consult factory for other options)</i>	
7	VALVE SEAT
0	VESPEL® (10000 psig max inlet)
1	PEEK® (6000 psig max inlet)
2	PCTFE (3000 psig max inlet) <i>(Contact factory for pricing)</i>
MODIFICATIONS	
<i>Separate multiple mods with a dash.</i>	
Blank	None
ANT	Acorn nut
G1	Gauges
NV	Non-venting
NV-N	Non-venting, NACE MR0175 compliant
WA	Wrench adjust

10000 PSIG MAX INLET (STAINLESS S)  
6000 PSIG MAX INLET (BRASS)  
*The end user is responsible to ensure adequate fittings are used to connect regulator to plumbing.*

*Vespele® Kalrez® & Viton® are registered trademarks of E de Nemours and Company*

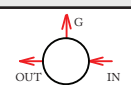
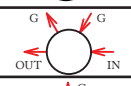
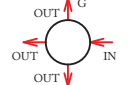
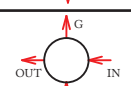
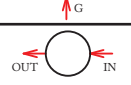
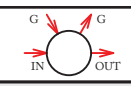
*PEEK® is a registered trademark of Victrex PLC*

*Contact factory for material certifications. Fees may apply.*

PART #	1	2	-	3	4	5	6	7	-	8	9	-	MODS
30-10212			-						-			-	

Standard: 316 Stainless Steel body & 17-4 Stainless Steel Bonnet with a Vespel® valve seat

1 2	MOUNTING STYLE
<b>MB</b>	Mounting bracket Style body
<b>PN</b>	Panel nut style body <i>(panel nuts included)</i>
3	OUTLET PRESSURE
<b>B</b>	0-300 PSIG <i>(0-20.7 Bar)</i>
<b>A</b>	0-400 PSIG <i>(0-27.6 Bar)</i>
<b>1</b>	5-500 PSIG <i>(0.34-34.5 Bar)</i>
<b>2</b>	5-800 PSIG <i>(0.34-55.2 Bar)</i>
<b>M</b>	10-1000 PSIG <i>(0.69-68.9 Bar)</i>
<b>3</b>	10-1500 PSIG <i>(0.69-103.4 Bar)</i>
<b>4</b>	15-2500 PSIG <i>(1.0-172.4 Bar)</i>
<b>5</b>	25-4000 PSIG <i>(1.7-275.8 Bar)</i>
<b>6</b>	50-6000 PSIG <i>(3.4-413.7 Bar)</i>
<b>7</b>	100-10000 PSIG <i>(6.9-689.5 Bar)</i> <i>(stainless steel only)</i>
4	FLOW (Cv)
<b>0</b>	Cv 0.06
<b>1</b>	Cv 0.12
<b>2</b>	Cv 0.2

5	PORTING CONFIGURATION
<b>A</b>	
<b>C</b>	
<b>E</b>	
<b>L</b>	
<b>S</b>	
<b>D</b>	
6	PORT SIZE
<b>4</b>	1/4"
<b>6</b>	3/8"
<b>8</b>	1/2"
<b>9</b>	9/16"
<i>*1/2" ports not available in medium &amp; high pressure</i> <i>**9/16" ports only available in medium &amp; high pressure</i>	
7	PORT TYPE (IN/OUT)
<b>1</b>	FNPT
<b>2</b>	SAE J1926
<b>3</b>	SAE AS5202
<b>4</b>	MEDIUM PRESSURE
<b>5</b>	HIGH PRESSURE
<b>7</b>	MS33649
<i>Gauge ports: 1/4" FNPT</i>	

8 9	O-RINGS
<b>00</b>	BUNA-N
<b>01</b>	AFLAS®
<b>02</b>	VITON-A®
<b>05</b>	EPDM
<b>11</b>	KALREZ® <i>(Contact factory for pricing)</i>
<b>12</b>	NITRILE, LO-TEMP
<b>13</b>	NITRILE, XLO-TEMP
MODIFICATIONS	
<i>Separate multiple mods with a dash.</i>	
<b>BLANK</b>	None
<b>ANT</b>	Acorn nut
<b>B</b>	SAE 360 Brass body & bonnet <i>6000 psig max</i>
<b>KS</b>	PCTFE SEAT (Cv 0.06)
<b>NV</b>	Non-venting
<b>NV-N</b>	Non-venting, NACE MR0175 compliant
<b>PK</b>	PEEK® valve seat <i>(60000 psig max inlet)</i>
<b>PTU</b>	Port type uniform
<b>SM</b>	Surface mount <i>Pattern dependent on port type, size, and config. - not available on panel mount style bodies.</i>
<b>TGF</b>	PTFE 25% GLASS FILL SEAT

*10000 PSIG MAX INLET (SS)  
6000 PSIG MAX INLET (brass)  
The end user is responsible to ensure adequate fittings are used to connect regulator to plumbing.*

*Viton-A® Vespel® and Kalrez® are registered trademarks of E.I. du Pont de Nemours and Company. AFLAS® is a registered trademark of the Asahi Glass Co., Ltd. PEEK® is a registered trademark of Victrex PLC*

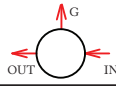
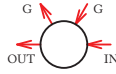
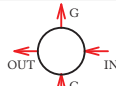
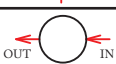
*Contact factory for material certifications. Fees may apply.*

PART #	1 2	-	3	4	5	6	7	-	8 9	-	MODS
30-10206		-						-		-	

**CAPTURED VENTING**

Standard: 316 stainless steel body and 17-4 stainless steel bonnet with a Vespe! valve seat

1 2	MOUNTING STYLE
<b>MB</b>	Mounting bracket style body
<b>PN</b>	Panel nut style body <i>(panel nuts included)</i>
3	OUTLET PRESSURE
<b>0</b>	0-200 PSIG (0-13.79 Bar)
<b>1</b>	5-500 PSIG (0.34-34.5 Bar)
<b>2</b>	5-800 PSIG (0.34-55.2 Bar)
<b>3</b>	10-1500 PSIG (0.69-103.4 Bar)
<b>4</b>	15-2500 PSIG (1.0-172.4 Bar)
<b>5</b>	25-4000 PSIG (1.7-275.8 Bar)
<b>6</b>	50-6000 PSIG (3.4-413.7 Bar)
<b>7</b>	100-10000 PSIG (6.9-689.5 Bar) <i>(stainless steel only)</i>
<b>8</b>	20-3000 PSIG (1.38-206.84 Bar)
4	FLOW (Cv)
<b>0</b>	Cv 0.06
<b>1</b>	Cv 0.12
<b>2</b>	Cv 0.2

5	PORTING CONFIGURATION
<b>A</b>	
<b>C</b>	
<b>L</b>	
<b>S</b>	
6	PORT SIZE
<b>4</b>	1/4"
<b>6</b>	3/8"
<b>8</b>	1/2"*
<b>9</b>	9/16"**
<i>*1/2" ports not available in medium &amp; high pressure</i>	
<i>**9/16" ports only available in medium &amp; high pressure</i>	
7	PORT TYPE (IN/OUT/VENT)
<b>1</b>	FNPT
<b>2</b>	SAE J1926
<b>3</b>	SAE AS5202
<b>4</b>	MEDIUM PRESSURE
<i>Gauge ports: 1/4" FNPT unless port type uniform (PTU) modifier is specified</i>	

8 9	O-RINGS
<b>00</b>	BUNA-N
<b>01</b>	AFLAS®
<b>02</b>	VITON-A®
<b>05</b>	EPDM
<b>11</b>	KALREZ® <i>(Contact factory for pricing)</i>
<b>12</b>	NITRILE, LO-TEMP
MODIFICATIONS	
<i>Separate multiple mods with a dash.</i>	
<b>BLANK</b>	None
<b>ANT</b>	Acorn nut
<b>B</b>	SAE 360 Brass, body & bonnet 6000 psig max
<b>N</b>	NACE MR0175 compatible
<b>PK</b>	PEEK valve seats
<b>PTU</b>	Port type uniform
<b>SM</b>	Surface mount <i>Pattern dependent on port type, size, &amp; config. - not available on panel mount style bodies</i>
<b>G1</b>	Gauges

**10000 PSIG MAX INLET (SS)**  
**6000 PSIG MAX INLET (brass)**  
*The end user is responsible to ensure adequate fittings are used to connect regulator to plumbing.*

*Viton-A® Vespe!® and Kalrez® are registered trademarks of E.I.duPont de Nemours and Company. AFLAS® is a registered trademark of the Asahi Glass Co., Ltd.*

*Contact factory for material certifications. Fees may apply.*



# 3000AL SERIES

**Air Loaded, High Pressure**  
Pressure Reducing Regulators



The Premier 3000AL Series air loaded, piston sensed, single stage, high pressure, pressure reducing regulators features inlet and outlet pressures up to 10000 PSIG (*689.48 bar*), and Cv 0.06, 0.12, or 0.2. Premier 3000AL Series regulators are designed for increased serviceability and reliable operation with the integral 15 micron stainless steel valve cartridge filter. They are used to regulate to a broad range of non-corrosive and corrosive media (based on materials of construction).

## FEATURES

- 15 micron sintered 316 stainless steel inlet filter
- Compatible with electro pneumatic controllers
- Captured venting
- Very competitive pricing
- Machined bar stock body, bonnet and piston eliminates porosity found in castings
- Numerous optional features are available.
- Hydraulic versions available

**SOME APPLICATIONS WILL REQUIRE A CUSTOM SOLUTION.**  
CONTACT PREMIER INDUSTRIES TO REQUEST A MODIFICATION  
OR A CUSTOM DESIGN.

## SPECIFICATIONS

- **MAXIMUM INLET PRESSURE:**
  - **REGULATOR:**
    - 10000 PSIG / 689.5 bar (*stainless steel*)
    - 6000 PSIG / 413.69 bar (*brass*)
  - **AIR ACTUATOR:** 100 PSIG (6.89 bar)
- **CONTROL PRESSURE RANGES:**
  - 10-1500 PSIG (0.69 – 103.42 bar)
    - Diameter: 1.000"*
    - Area: 0.7854 in<sup>2</sup>*
    - Ratio: 16/1 \*\**
  - 15-2500 PSIG (1.03 – 172.37 bar)
    - Diameter: 0.750"*
    - Area: 0.4418 in<sup>2</sup>*
    - Ratio: 28/1 \*\**
  - 25-3000 psig (1.7 – 206.8 bar)
    - Diameter: 0.684"*
    - Area: 0.3675 in<sup>2</sup>*
    - Ratio: 34/1 \*\**
  - 50-6000 PSIG (3.45 – 413.69 bar)
    - Diameter: 0.500"*
    - Area: 0.1964 in<sup>2</sup>*
    - Ratio: 64/1 \*\**
  - 100-10000 PSIG (6.89 – 689.5 bar)
    - Diameter: 0.375"*
    - Area: 0.1104 in<sup>2</sup>*
    - Ratio: 114/1 \*\**

*\*\* 4.0" diameter diaphragm  
Diaphragm area: 12.5664 in<sup>2</sup>*

- **FLOW (Cv):** 0.06, 0.12, or 0.20
- **AMBIENT OPERATING TEMPERATURES:\***
  - -4°F/-20°C to 212°F/100°C (Viton®)
  - -15°F/-26°C to 212°F/100°C (BUNA-N)

*\*Lower temperature compounds are available, Above temperature ranges will apply to the majority of media for which the material is recommended. Temperature ranges can vary with some media, ALWAYS TEST UNDER SERVICE CONDITIONS.*

*Kalrez® Vespel® & Viton-A® are registered trademarks of E.I. duPont de Nemours and Company*

*AFLAS® is a registered trademark of the Asahi Glass Co., Ltd.*

*Contact factory for material certifications. Fees may apply.*

## MATERIALS OF CONSTRUCTION

- **BODY:** SAE 360 brass or 316 Stainless Steel
- **BONNET:** (*non-wetted*) 303 Stainless Steel
- **HOUSING, AIR ACTUATOR :**
  - 6061-T6 Aluminum/clear anodized
- **DIAPHRAGM, AIR ACTUATOR :**
  - Neoprene, nylon fabric-reinforced
- **MAIN VALVE STEM:** 17-4 Stainless Steel (hardened)
- **MAIN VALVE SEAT:** Vespel®
- **VENT VALVE SEAT:** Vespel®
- **ELASTOMER SEALS:**
  - BUNA-N
  - AFLAS®
  - Viton-A®
  - EPDM
  - Polyurethane
  - Kalrez® (*Contact factory for pricing*)
- **OTHER WETTED PARTS:**
  - 316 Stainless Steel
  - 17-4 Stainless Steel

## PORTING

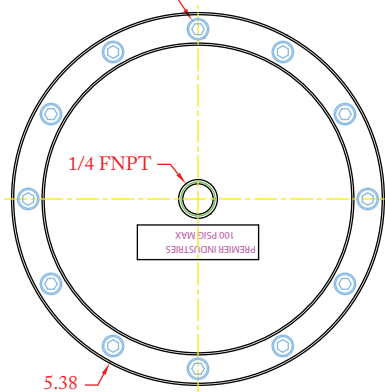
- **INLET/OUTLET PORT OPTIONS**
  - 1/4", 3/8", 1/2" FNPT
  - 1/4", 3/8", 1/2" SAE J1926
  - 1/4", 3/8", 1/2" SAE AS5202
  - 1/4", 3/8", 9/16" Medium Pressure
  - 1/4", 3/8", High Pressure
- **AIR ACTUATOR PORT OPTIONS:**
  - 1/8" FNPT
  - 1/4" SAE AS5202
  - 1/4" SAE J1926
- **VENT:** 1/4" (inlet/outlet port type)

## OPTIONAL ITEMS

- Non-venting design
- Panel mounting bracket: P/N: 30-10059 (Ø2.15 panel hole)
- NACE MR0175 compatible design
- Private label

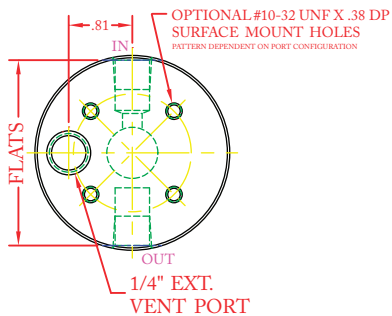
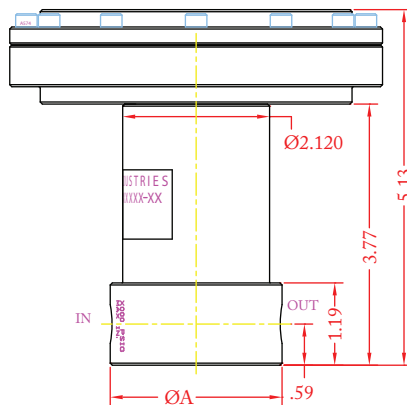
**PART NUMBER: 30-10219G**

#10-32 UNF-3A X 3/4"  
SHCS ASTM A574 12X



PORT TYPE	ØA	FLATS
NPT	Ø2.48	—
1/4" J1926, M.P., H.P.	Ø2.48	2.36
1/4" AS5202	Ø2.98	2.81
3/8" SAE, M.P., H.P.	Ø2.98	2.81
1/2" SAE	Ø3.23	2.98
9/16" M.P.	Ø3.23	2.98

*3/8" & larger 'L' configuration bodies require a larger ØA*

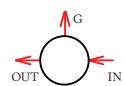
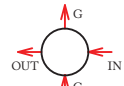
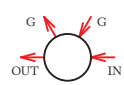
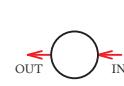


# 3000AL SERIES

Air Loaded, High Pressure  
Pressure Reducing Regulators

SERIES	1	-	2	3	4	5	6	-	7 8	MODS
30-10219G		-						-		

1	BODY MATERIALS (MAX. INLET PRESSURE)	
<b>B</b>	SAE 360 Brass (6000 psig / 413.7 bar)	
<b>Blank</b>	316 Stainless Steel (10000 psig / 689.5 bar)	
2	OUTLET PRESSURE	
<b>3</b>	10-1500 psig (0.69-103.4 bar)	Diameter: 1.000" Area: 0.7854 in <sup>2</sup> Ratio: <sup>16</sup> / <sub>1</sub> *
<b>4</b>	15-2500 psig (1.0-172.4 bar)	Diameter: 0.750" Area: 0.4418 in <sup>2</sup> Ratio: <sup>28</sup> / <sub>1</sub> *
<b>6</b>	50-6000 psig (3.4-413.7 bar)	Diameter: 0.500" Area: 0.1964 in <sup>2</sup> Ratio: <sup>64</sup> / <sub>1</sub> *
<b>7</b>	100-10000 psig (6.9-689.5 bar) (stainless steel only)	Diameter: 0.375" Area: 0.1104 in <sup>2</sup> Ratio: <sup>114</sup> / <sub>1</sub> *
<b>8</b>	25-3000 psig (1.7-206.8 bar)	Diameter: 0.684" Area: 0.3675 in <sup>2</sup> Ratio: <sup>34</sup> / <sub>1</sub> *
* 4.0" diameter diaphragm Diaphragm area: 12.5664 in <sup>2</sup>		
3	FLOW (Cv)	
<b>0</b>	Cv 0.06	
<b>1</b>	Cv 0.12	
<b>2</b>	Cv 0.2	
Vent Valve: Cv 0.06		

4	PORTING CONFIG. (1/4 FNPT)
<b>A</b>	
<b>L</b>	
<b>C</b>	
<b>S</b>	
5	PORT SIZE (inlet/outlet)
<b>4</b>	1/4"
<b>6</b>	3/8"
<b>8</b>	1/2"
<b>9</b>	9/16"
**1/2" ports <b>not</b> available in medium pressure or high pressure ***9/16" ports <b>only</b> available in medium pressure	
Gauge Ports: 1/4" FNPT Vent Port: 1/4" inlet/outlet port type	

10000 PSIG MAX INLET (Stainless Steel)  
6000 PSIG MAX INLET (Brass)  
The end user is responsible to ensure adequate fittings are used to connect regulator to plumbing.

Contact factory for material certifications.  
Fees may apply.

6	PORT TYPE (inlet/outlet/vent)
<b>1</b>	FNPT
<b>2</b>	SAE J1926
<b>3</b>	SAE AS5202
<b>4</b>	Medium pressure
<b>5</b>	High pressure
7 8	O-RINGS
<b>00</b>	BUNA-N
<b>01</b>	AFLAS®
<b>02</b>	VITON-A®
<b>05</b>	EPDM
<b>08</b>	POLYURETHANE
<b>11</b>	KALREZ® (Contact factory for pricing)
MODIFICATIONS Separate multiple mods with a dash	
<b>Blank</b>	None
<b>AS</b>	1/4" SAE AS5202 LOADER PORT
<b>E</b>	1/8" NPT AIR LOADER PORT
<b>J</b>	1/4" SAE J1926 LOADER PORT
<b>N</b>	NACE MR0175 COMPATIBLE
<b>NV</b>	NON-VENTING
<b>SM</b>	SURFACE MOUNT

Kalrez® & Viton® are registered trademarks of E.I. duPont de Nemours and Company  
AFLAS® is a registered trademark of the Asahi Glass Co., Ltd.

# 3000DL SERIES

Dome Loaded, High Pressure  
Pressure Reducing Regulators



Premier 3000DL Series dome loaded, high pressure, pneumatic, pressure reducing regulators: rugged, compact regulators for remotely-controlled high pressure applications. These piston sensed units are rated for inlet and outlet pressures up to 10000 PSIG (*689.5 bar*) and Cv 0.06, 0.12, 0.20, or 0.30.

Premier 3000DL Series regulators are used to regulate a broad range of non-corrosive and corrosive media (based on materials of construction). Captured venting allows fluids/gases to be safely piped away.

## FEATURES

- Captured venting
- Dome loaded for remote pressure control
- Compatible with electro-pneumatic controllers
- 17-4 & 316 stainless steel construction for strength and corrosion resistance
- 10000 PSIG (*689.5 bar*) max inlet
- Cv 0.06, 0.12, 0.20, or 0.30
- Economical pricing
- Machined bar stock body, bonnet and piston reduce particle shedding and contamination

**SOME APPLICATIONS WILL REQUIRE A CUSTOM SOLUTION.**  
CONTACT PREMIER INDUSTRIES TO REQUEST A MODIFICATION  
OR A CUSTOM DESIGN.

## SPECIFICATIONS

- **MAX INLET PRESSURE:**
  - 10000 PSIG (689.5 bar)
- **MAX OUTLET PRESSURE:**
  - 10000 PSIG (689.5 bar)
- **MAX DOME LOAD:** 10000 PSIG (689.5 bar)
- **DOMES TO SENSOR RATIO:** 1:1
- **FLOW (C<sub>v</sub>):** 0.06, 0.12, 0.20, 0.30
- **VENT VALVE (C<sub>v</sub>):** 0.06
- **OPERATING TEMPERATURE:**
  - -15°F/-26°C to 165°F/74°C (BUNA-N)
  - -4°F/-20°C to 165°F/74°C (VITON®)
  - -65°F/-54°C to 165°F/74°C (EPDM)
  - 15°F/-9°C to 165°F/74°C (AFLAS®)
  - -65°F/-54°C to 165°F/74°C (NITRILE)

## MATERIALS OF CONSTRUCTION

- **BODY & BONNET :**
  - 316 Stainless Steel
- **WETTED PARTS, OTHER:**
  - 316 Stainless Steel
  - 17-4 Stainless Steel
- **MAIN VALVE SEAT OPTIONS:**
  - 17-4 Stainless Steel
  - Vespel®
- **VENT VALVE SEAT OPTIONS:**
  - 316 Stainless Steel
  - Vespel®
- **MAIN VALVE / VENT VALVE STEM:**
  - 17-4 Stainless Steel
- **O-RING MATERIAL:**
  - BUNA-N
  - AFLAS®
  - Viton®
  - EPDM
  - Kalrez® (Contact factory for pricing)
  - Nitrile, Lo-temp
- **BACK-UP RINGS:** PCTFE

## PORTING

- **INLET/ OUTLET PORTING OPTIONS:**
  - 1/4", 3/8", 1/2" FNPT
  - 1/4", 1/2", 3/8", SAE J1926
  - 1/4", 1/2", 3/8", SAE AS5202\*
  - 1/4", 3/8", 9/16", Medium pressure
  - 1/4", 3/8", 9/16", High pressure
  - 1/4", 3/8", 1/2", NPTF
- **GAUGE PORTS:**
  - 1/4" FNPT
- **DOMES PORTS:**
  - 1/4" (match inlet/outlet/vent type)
- **VENT PORTS:**
  - 1/4" (match inlet/outlet/vent type)

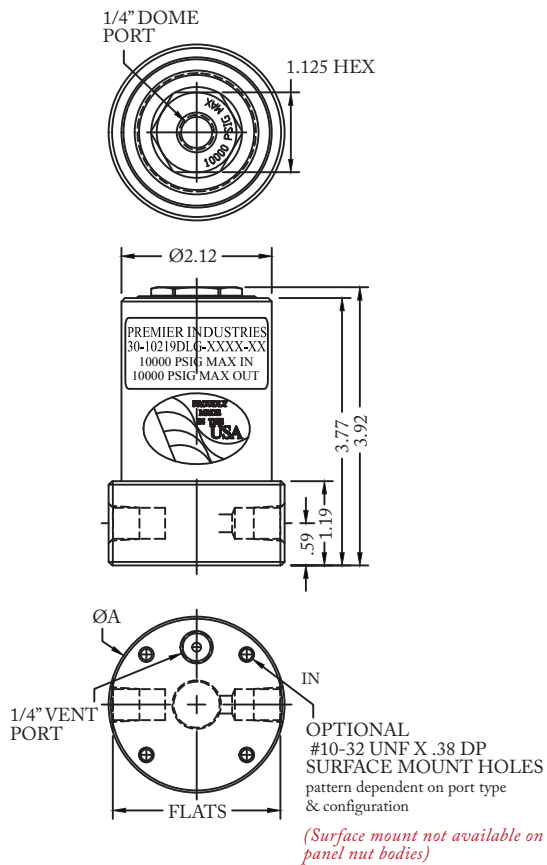
## OPTIONS

- Private label
- Panel mounting bracket P/N: 30-10059 (Ø2.15 panel hole)
- Panel mounting nuts P/N: 30-10189 (Ø2.28 panel hole)

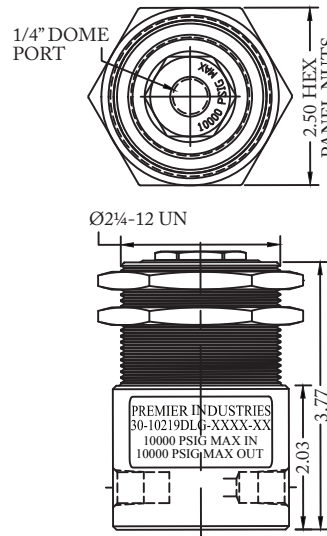
\*SAE AS5202 supersedes MS33649  
Vespel® Kalrez® & Viton® are registered trademarks of E.I.duPont de Nemours and Company  
AFLAS® is a registered trademark of the Asahi Glass Co., Ltd.  
Contact factory for material certifications. Fees may apply.

PART NUMBER: 30-10219DLG

## PANEL MOUNTING BRACKET STYLE



## PANEL NUT STYLE



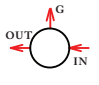
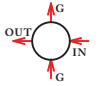
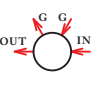
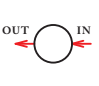
PORT TYPE	ØA	FLATS
NPT, NPTF	Ø2.48	—
1/4" J1926, M.P., H.P.	Ø2.48	2.36
1/4" AS5202	Ø2.98	2.81
3/8" SAE, M.P., H.P.	Ø2.98	2.81
1/2" SAE	Ø3.23	2.98
9/16" M.P.	Ø3.23	2.98

*\*Bodies w/ 'L' porting configurations and 3/8" ports and larger require a larger ØA*

# 3000DL SERIES

Dome Loaded, High Pressure  
Pressure Reducing Regulators

SERIES	-	1	2	3	4	-	5 6	-	MODS
30-10219DLG	-					-		-	

1	MAIN VALVE SEATS & Cv RATING
0	Vespe <sup>l</sup> <sup>®</sup> Cv 0.06
1	Vespe <sup>l</sup> <sup>®</sup> Cv 0.12
2	Vespe <sup>l</sup> <sup>®</sup> Cv 0.20
3	Vespe <sup>l</sup> <sup>®</sup> Cv 0.30
2	PORTING CONFIG. (1/4" FNPT)
A	
L	
C	
S	

3	PORT SIZE
4	1/4"
6	3/8"
8	1/2"*
9	9/16**
<i>*1/2" not available in medium &amp; high pressure **9/16" only available in medium &amp; high pressure</i>	
4	PORT TYPE (IN/OUT VENT/DOME)
1	FNPT
2	SAE J1926
3	SAE AS5202*
4	Medium Pressure
5	High Pressure
6	NPTF

5 6	O-RINGS
00	BUNA-N
01	AFLAS <sup>®</sup>
02	VITON <sup>®</sup>
05	EPDM
11	KALREZ <sup>®</sup> <i>(Contact factory for pricing)</i>
12	NITRILE, LO-TEMP
MODIFICATIONS <i>Separate multiple mods with a dash</i>	
Blank	None
N	NACE MR0175
PN	PANEL NUT STYLE BODY
PTU	PORT TYPE UNIFORM
SM	SURFACE MOUNT <i>(Not available on panel nut bodies)</i>

\*SAE AS5202 supersedes MS33649

**10000 PSIG MAX INLET**

*The end user is responsible to ensure adequate fittings are used to connect regulator to plumbing.*

*Vespe<sup>l</sup><sup>®</sup>, Kalrez<sup>®</sup> & Viton<sup>®</sup> are registered trademarks of E.I. du Pont de Nemours and Company*

*Contact factory for material certifications. Fees may apply.*



## 3016 SERIES

High Pressure, High Flow  
Pressure Reducing Regulators



Premier 3016 Series regulators are high pressure high flow, piston sensed, pressure reducing regulators rated for inlet pressures up to 10000 psig / 689.5 bar (*dependent upon configuration*), and (Cv) 1.0 or 2.0. Premier 3016 series regulators feature a balanced stem design for increased outlet pressure stability.

Premier 3016 Series regulators are available in a variety of materials for seamless integration into your desired application. Common applications include: commercial diving, and high pressure tube trailers.

### FEATURES

- Self-venting and captured venting models available (*non-venting modification also available*)
- Balanced stem for increased outlet pressure stability
- High flow capacity (Cv): 1.0 or 2.0
- Piston sensed
- Great sensitivity
- Optional gauge ports
- Machined bar stock body eliminates porosity found in castings

**SOME APPLICATIONS WILL REQUIRE A CUSTOM SOLUTION.**  
CONTACT PREMIER INDUSTRIES TO REQUEST A MODIFICATION  
OR A CUSTOM DESIGN.

## SPECIFICATIONS

- **MAXIMUM INLET PRESSURE:**
  - 10000 PSIG / 689.5 bar\*

*\*dependent on material and configuration, see part numbers on pgs 4, 5, and 6.*
- **CONTROL PRESSURE RANGES:**
  - 0-300 PSIG (0-20.7 bar)
  - 0-500 PSIG (0-34.5 bar)
  - 0-1000 PSIG (0-68.9 bar)
  - 10-1500 PSIG (0.7-103.4 bar)
  - 15-2500 PSIG (1.0-172.4 bar)
  - 25-4000 PSIG (1.7-275.8 bar)
  - 50-6000 PSIG (3.5-413.7 bar)
  - 100-10000 PSIG (6.9-413.7 bar) \*\*

*\*\* (P/N 30 10216 and 30-10225 only)*
- **FLOW (C<sub>v</sub>):** 1.0 or 2.0
- **OPERATING TEMPERATURE:**
  - -15°F/-26°C to 165°F/74°C (BUNA-N)
  - -4°F/-20°C to 165°F/74°C (Viton®)
  - -65°F/-54°C to 165°F/74°C (EPDM)

*Lower temperature compounds available upon request*

## MATERIALS OF CONSTRUCTION

- **BODY OPTIONS:**
  - 316 Stainless Steel (Standard)
  - 17-4 Stainless Steel (P/N: 30-10216 only)
  - SAE 360 Brass (P/N: 30-10216 & 30-10228 only)
  - Monel 400 (P/N: 30-10216 only)
- **MAIN VALVE STEM:**
  - 17-4 Stainless Steel (hardened)
- **MAIN VALVE SEAT:**
  - P/N: 30-10216: Vespel® SP-1
  - P/N: 30-10225: Vespel® SP-1
  - P/N: 30-10228: PCTFE
- **VENT VALVE SEAT:**
  - P/N: 30-10216: PCTFE
  - P/N: 30-10225: Vespel® SP-1
  - P/N: 30-10228: Vespel® SP-1
- **BACK-UP RINGS:**
  - P/N: 30-10216: PTFE
  - P/N: 30-10225: PTFE or PTCFE
  - P/N: 30-10228: PTFE or PTCFE
- **O-RING MATERIAL OPTIONS:**
  - BUNA-N
  - AFLAS®
  - Viton®
  - EPDM
  - Nitrile, low-temp (not available for P/N 30-10225)
  - Kalrez® (contact factory for pricing)
- **OTHER WETTED PARTS:**
  - 316 Stainless Steel
  - 17-4 Stainless Steel

## PORTING

- **INLET & OUTLET OPTIONS:**
  - See part numbers on pgs 4, 5, and 6
- **GAUGE PORTS:** 1/4" FNPT

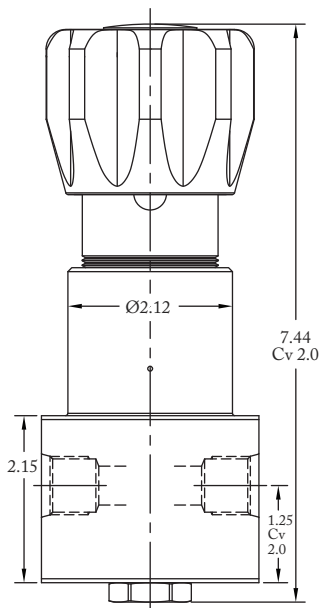
## OPTIONS

- Panel mounting bracket: P/N: 30-10059 (Ø2.15 panel hole)
- Panel mounting nuts: P/N: 30-10189 (Ø2.28 panel hole)
- Non-venting option

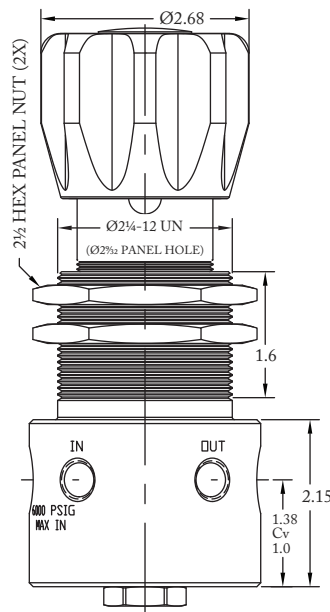
Contact factory for material certifications. Fees may apply.  
Viton®, Vespel® and Kalrez® are registered trademarks of  
E.I. duPont de Nemours & Company.  
AFLAS® is a registered trademark of the Asahi Glass Co., Ltd.

**PART NUMBER: 30-10216**

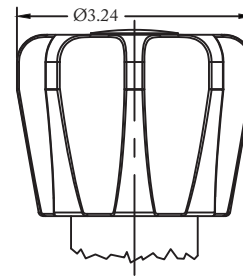
**PANEL MOUNTING**



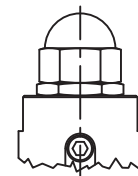
**PANEL NUT STYLE**



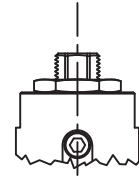
**BALL-BEARING  
HAND KNOB  
(Optional)**



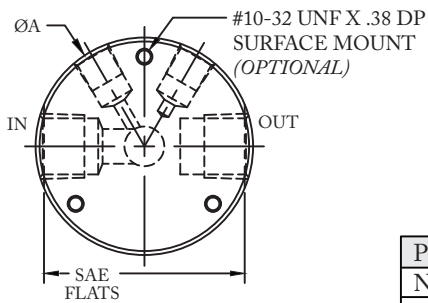
**TAMPER RESISTANT  
ACORN NUT OR WRENCH  
ADJUST (Optional)**



ACORN NUT



WRENCH ADJUST  
(P/N: 30-10225)



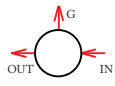
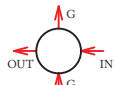
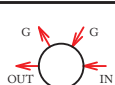

*Surface mounting holes  
Pattern dependent on  
port size, type, and  
configuration*

PORT TYPE	ØA	FLATS
NPT	Ø2.98	—
1/4" AS5202	Ø2.98	2.80
3/8" & 1/2" J1926	Ø2.98	2.80
3/8" & 1/2" AS5202	Ø3.23	3.05
3/4" J1926	Ø3.73	3.36
3/4" AS5202	Ø3.98	3.72

PART #	1	2	-	3	4	5	6	7	-	8	9	-	10	-	MODS
30-10216			-						-			-		-	

**SELF VENTING, Cv 1.0 or 2.0**

1 2	MOUNTING STYLE
<b>MB</b>	Mounting bracket style body
<b>PN</b>	Panel nut style body <i>(Panel nuts included)</i>
3	BODY/BONNET MATERIALS <i>(MAX. INLET PRESSURE)</i>
<b>1</b>	SAE 360 brass body & bonnet <i>(Cv 1.0, 6000 PSIG / 413.7 Bar) (Cv 2.0, 4000 PSIG / 275.8 Bar)</i>
<b>2</b>	316 stainless steel body, 17-4 stainless steel bonnet <i>(Cv 1.0, 10000 PSIG / 689.5 Bar) (Cv 2.0, 6000 PSIG / 413.7 Bar)</i>
<b>4</b>	Monel 400® body, Stainless steel bonnet <i>(Cv 1.0, 6000 PSIG / 413.7 Bar) (Cv 2.0, 6000 PSIG / 413.7 Bar)</i>
<b>5</b>	17-4 Stainless Steel body & bonnet <i>(Cv 1.0, 10000 PSIG / 689.5 Bar) (Cv 2.0, 10000 PSIG / 689.5 Bar)</i>
4	OUTLET PRESSURE
<b>0</b>	0-300 PSIG <i>(0-20.7 Bar)</i>
<b>1</b>	0-500 PSIG <i>(0-34.5 Bar)</i>
<b>2</b>	0-1000 PSIG <i>(0-68.9 Bar)</i>
<b>3</b>	10-1500 PSIG <i>(0.7-103.4 Bar)</i>
<b>4</b>	15-2500 PSIG <i>(1.0-172.4 Bar)</i>
<b>5</b>	25-4000 PSIG <i>(1.7-275.8 Bar)</i>
<b>6</b>	50-6000 PSIG <i>(3.5-413.7 Bar)</i> <i>(Not available for SAE 360 Brass)</i>
<b>7</b>	100-10000 PSIG <i>(6.9-413.7 Bar)</i> <i>(17-4 Stainless Steel only)</i>

5	PORTING CONFIG <i>(gauges optional, sold separately)</i>
<b>A</b>	
<b>L</b>	
<b>C</b>	
<b>S</b>	
6	PORT SIZE <i>(Inlet/outlet)</i>
<b>4</b>	1/4"***
<b>6</b>	3/8"***
<b>8</b>	1/2"
<b>T</b>	3/4"
<i>**Not recommended for Cv 2.0 Gauge ports 1/4" FNPT</i>	
7	PORT TYPE <i>(Inlet/outlet)</i>
<b>1</b>	FNPT
<b>2</b>	SAE J1926
<b>3</b>	SAE AS5202

8 9	O-RING MATERIAL
<b>00</b>	BUNA-N
<b>01</b>	AFLAS®
<b>02</b>	VITON®
<b>05</b>	EPDM
<b>11</b>	KALREZ® <i>(contact factory for pricing)</i>
<b>12</b>	NITRILE, LO-TEMP
10	Cv (FLOW)
<b>1</b>	Cv 1.0
<b>2</b>	Cv 2.0
MODIFICATIONS <i>Separate multiple mods with a dash</i>	
<b>Blank</b>	None
<b>ANT</b>	Acorn nut
<b>BBL</b>	Ball-bearing loader
<b>NV</b>	Non-venting
<b>PTU</b>	Port type uniform
<b>SM</b>	Surface mount

*10000 PSIG MAX INLET  
(17-4 stainless steel body)  
6000 PSIG MAX INLET  
(316 Stainless Steel body/Monel body)  
4000 PSIG MAX INLET (Brass body)  
The end user is responsible to ensure adequate fittings  
are used to connect regulator to plumbing*

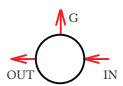
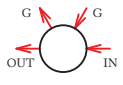
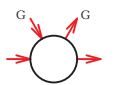
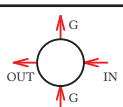

*SAE AS5202 supersedes MS33649  
Viton® and Kalrez® are registered trademarks of  
E.I. duPont de Nemours & Company.  
AFLAS® is a registered trademark of the Asahi  
Glass Co., Ltd.  
Contact factory for material certifications.  
Fees may apply.*

PART #	1	2	-	3	4	5	6	-	7	8	-	MODS
30-10225			-					-			-	

## CAPTURED VENTING, Cv 1.0

316 Stainless Steel body

1 2	MOUNTING STYLE
<b>MB</b>	Mounting bracket style body
<b>PN</b>	Panel nut style body <i>(Panel nuts included)</i>
3	OUTLET PRESSURE
<b>C</b>	150 PSIG (10.3 Bar)
<b>0</b>	300 PSIG (20.7 Bar)
<b>1</b>	500 PSIG (34.5 Bar)
<b>2</b>	1000 PSIG (68.9 Bar)
<b>3</b>	1500 PSIG (103.4 Bar)
<b>4</b>	2500 PSIG (172.4 Bar)
<b>5</b>	4000 PSIG (275.8 Bar)
<b>6</b>	6000 PSIG (413.7 Bar)
<b>7</b>	10000 PSIG (689.5 Bar)

4	PORTING CONFIG.
<b>A</b>	
<b>C</b>	
<b>D</b>	
<b>L</b>	
<b>S</b>	
5	PORT SIZE (Inlet/outlet)
<b>6</b>	3/8"
<b>8</b>	1/2"
<i>Gauge ports 1/4" FNPT</i>	
6	PORT TYPE (Inlet/outlet)
<b>N</b>	FNPT
<b>J</b>	SAE J1926
<b>A</b>	SAE AS5202 (MS33649**)
<small>**SAE AS5202 supersedes MS33649</small>	

7 8	O-RINGS
<b>00</b>	BUNA-N
<b>01</b>	AFLAS®
<b>02</b>	VITON®
<b>05</b>	EPDM
<b>11</b>	KALREZ® <i>(contact factory for pricing)</i>
MODIFICATIONS	
<i>Separate multiple mods with a dash</i>	
<b>Blank</b>	None
<b>ANT</b>	Acorn nut
<b>BBL</b>	Ball-bearing loader
<b>PTU</b>	Port type uniform
<b>SM</b>	Surface mount*
<b>WA</b>	Wrench adjust
<p><i>*SURFACE MOUNT HOLES: Pattern dependent on port size, type, and configuration. - not available on panel nut style</i></p>	

**10000 PSIG MAX INLET**  
*The end user is responsible to ensure adequate fittings are used to connect regulator to plumbing*

*Viton® and Kalrez® are registered trademarks of E.I. duPont de Nemours & Company. AFLAS® is a registered trademark of the Asahi Glass Co., Ltd.*

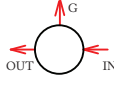
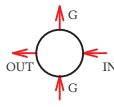
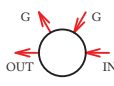

*Contact factory for material certifications. Fees may apply.*

PART #	-	1	2	3	4	-	5	6	-	MODS
30-10228	-					-			-	

## CAPTURED VENTING, C<sub>v</sub> 2.0

316 Stainless Steel body standard (6000 PSIG MAX)  
SAE 360 Brass modification available (4000 PSIG MAX)

*NOTE: This design is not available with panel mounting nuts or a panel mounting bracket. It does have a surface mounting option (see modifications).*

1	OUTLET PRESSURE
0	300 PSIG (20.7 Bar)
1	500 PSIG (34.5 Bar)
2	1000 PSIG (68.9 Bar)
3	1500 PSIG (103.4 Bar)
4	2500 PSIG (172.4 Bar)
5	4000 PSIG (275.8 Bar)
6	6000 PSIG (413.7 Bar)
2	PORTING CONFIG <i>(gauges optional, sold separately)</i>
A	
L	
C	
S	

3	PORT SIZE <i>(Inlet/outlet)</i>
8	1/2"
T	3/4"
4	PORT TYPE <i>(Inlet/outlet)</i>
1	FNPT
2	SAE J1926
3	SAE AS5202
5 6	O-RING MATERIAL
00	BUNA-N
01	AFLAS®
02	VITON®
05	EPDM
11	KALREZ® <i>(contact factory for pricing)</i>
12	NITRILE, LO-TEMP

MODIFICATIONS <i>Separate multiple mods with a dash</i>	
Blank	None
ANT	Acorn nut
BBL	Ball-bearing loader
PTU	Port type uniform
B	Brass <i>(4000 PSIG MAX INLET)</i>
SM	Surface mount

*6000 PSIG MAX INLET (316 Stainless Steel)  
4000 PSIG MAX INLET (SAE 360 Brass)  
The end user is responsible to ensure adequate fittings are used to connect regulator to plumbing.*

*Kalrez® and Viton® are registered trademarks of E.I.duPont de Nemours and Company. AFLAS® is a registered trademark of the Asahi Glass Co., Ltd. Monel is a registered trademark of Specialty Metals Corporation*

*Contact factory for material certifications. Fees may apply.*

## 3016AL SERIES

Air Loaded, High Pressure, High Flow  
Pressure Reducing Regulators



Premier 3016AL Series regulators are high pressure, high flow, piston sensed, pressure reducing regulators rated for inlet pressures up to 10000 psig (689.5 bar) and Cv 1.0 or 2.0. This regulator features an air loader with a max inlet pressure of 110 PSIG (7.58 bar) and a balanced stem for increased outlet pressure stability.

The 3016AL regulator's captured venting allows potentially hazardous media to be safely piped away.

### FEATURES

- Captured venting
- High flow capacity (Cv): 1.0 or 2.0
- Balanced stem for increased outlet pressure stability
- 316 stainless steel construction
- Compatible with electro-pneumatic controllers
- Max inlet pressure:
  - 6000 PSIG (413.7 bar), Cv 2.0
  - 10000 PSIG (689.48.7 bar), Cv 2.0
- Machined bar stock body eliminates porosity found in castings

SOME APPLICATIONS WILL REQUIRE A CUSTOM SOLUTION.  
CONTACT PREMIER INDUSTRIES TO REQUEST A MODIFICATION  
OR A CUSTOM DESIGN.

## SPECIFICATIONS

- **MAXIMUM INLET PRESSURE:**
  - **REGULATOR:**
    - 6000 PSIG (413.7 bar), Cv 2.0 (P/N: 30-10227)
    - 10000 PSIG (689.48 bar), Cv 1.0 (P/N: 30-10225AL)
  - **AIR ACTUATOR:** 110 PSIG (7.58 bar)
- **CONTROL PRESSURE:**
  - 1500 PSIG (103.42 bar)
    - Diameter: 1.000"
    - Area: 0.7854 in<sup>2</sup>
    - Ratio: 1/4"
  - 2500 PSIG (172.37 bar)
    - Diameter: 0.750"
    - Area: 0.4418 in<sup>2</sup>
    - Ratio: 3/4"
  - 6000 PSIG (413.69 bar)
    - Diameter: 0.500"
    - Area: 0.1964 in<sup>2</sup>
    - Ratio: 3/4"
  - 10000 PSIG (689.48 bar)
    - Diameter: 0.375"
    - Area: 0.1104 in<sup>2</sup>
    - Ratio: 11/4"

**\*\* 4.0" diameter diaphragm  
Diaphragm area: 12.5664 in<sup>2</sup>**

- **FLOW (Cv):**
  - **MAIN VALVE:**
    - 2.0 (P/N: 30-10227)
    - 1.0 (P/N: 30-10225AL)
  - **VENT VALVE:** 0.06
- **AMBIENT OPERATING TEMPERATURES:**
  - -4°F/-20°C to 212°F/100°C (Viton®)\*
  - -15°F/-26°C to 212°F/100°C (BUNA-N)\*
  - -65°F/-54°C to 212°F/100°C (EPDM)

**\*Lower temperature applications available upon request**

Viton® and Kalrez® are registered trademarks of E.I. du Pont de Nemours and Company  
AFLAS® is a registered trademark of the Asahi Glass Co., Ltd.  
\*\*SAE A55202 supersede MS33649 as part numbers for more porting options

Contact factory for material certifications. Fees may apply.

## MATERIALS OF CONSTRUCTION

- **BODY:** 316 Stainless Steel
- **HOUSING, AIR ACTUATOR:**
  - 6061-T6 Aluminum/clear anodized
- **DIAPHRAGM, AIR ACTUATOR:**
  - Neoprene, nylon fabric-reinforced
- **MAIN VALVE SEAT:**
  - PCTFE, Cv 2.0 (P/N:30-10227)
  - Vespel® SP-1, Cv 1.0 (P/N:30-10225AL)
- **VENT VALVE SEAT:**
  - Vespel® SP-1, Cv 2.0 (P/N:30-10227)
  - Vespel® SCP-5000, Cv 1.0 (P/N:30-10225AL)
- **ELASTOMER SEALS:**
  - BUNA-N
  - AFLAS®
  - Viton®
  - EPDM
  - Kalrez® (contact factory for pricing)
- **BACK-UP RING OPTIONS:**
  - PTFE
  - PCTFE
- **OTHER WETTED PARTS:**
  - 316 Stainless Steel
  - 17-4 Stainless Steel

## PORTING

- **INLET/OUTLET:**
  - See part number selection charts on pgs 5 & 6
- **AIR ACTUATOR:**
  - 1/4" FNPT (standard)
  - 1/4" SAE A55202
  - 1/8" FNPT
  - 1/4" SAE J1926
- **VENT:** 1/4" (inlet/outlet port type)
- **GAUGE PORTS:** 1/4" FNPT

## OPTIONS

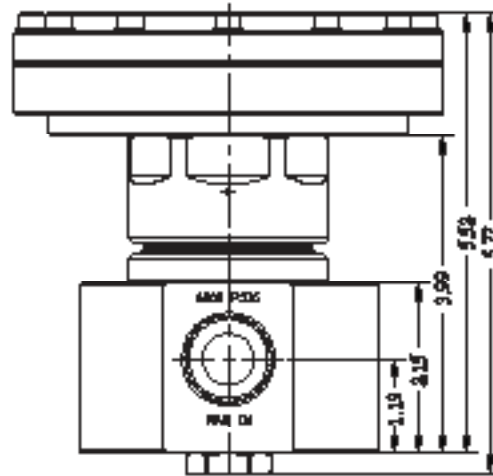
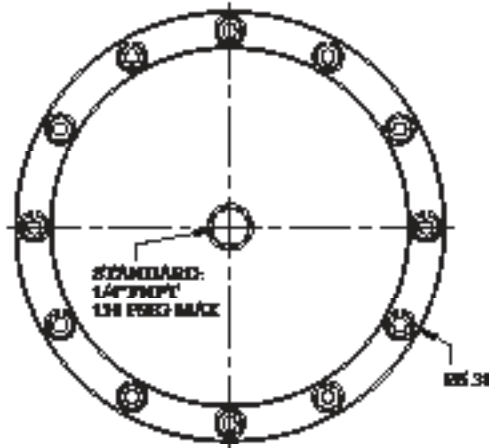
- Private Label



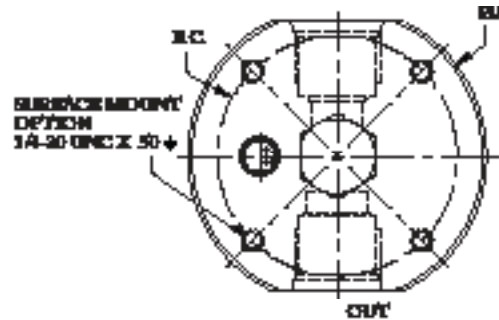
# 3016AL SERIES

Air Loaded, High Pressure, High Flow  
Pressure Reducing Regulators

**PART NUMBER: 30-10227 Co 2.0**



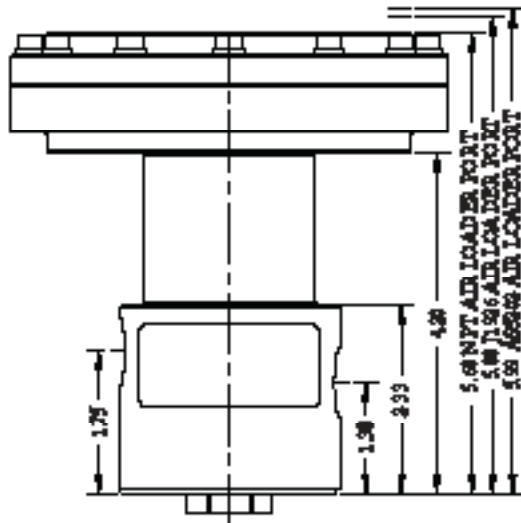
PORT TYPE	ØA	FLATS	B.C.
1/2" & 3/4" NPT	Ø2.98	—	Ø2.50
1/2" SAE	Ø3.23	3.05	Ø2.63
1" NPT	Ø3.48	—	Ø2.75
3/16" M.F.	Ø3.48	3.30	Ø2.75
3/4" J1936	Ø3.73	3.36	Ø2.80
3/4" ASSD	Ø3.98	3.71	Ø2.25
3/4" M.F.	Ø3.98	3.71	Ø2.25
1" SAE	Ø3.98	3.71	Ø2.25



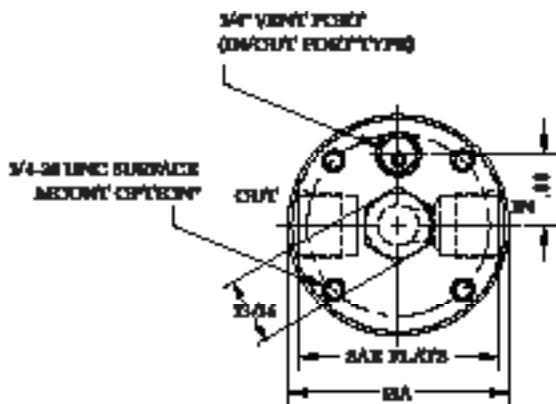
# 3016AL SERIES

Air Loaded, High Pressure, High Flow  
Pressure Reducing Regulators

**PART NUMBER: 30-10225AL Cb 1.0**



DIAPHRAGM TO SENSOR RATIOS		
DIAPHRAGM Ø4.0"	AREA 12.5664 IN <sup>2</sup>	RATIO- CALCULATED
SENSOR Ø0.375	0.1104 IN <sup>2</sup>	114/1
SENSOR Ø0.500	0.1964 IN <sup>2</sup>	64/1
SENSOR Ø0.750	0.4418 IN <sup>2</sup>	28/1
SENSOR Ø1.000	0.7854 IN <sup>2</sup>	16/1



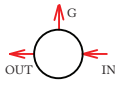
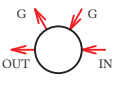
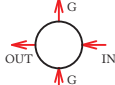

PORT TYPE	ØA	FLATS	BODY
NPT	Ø1.25	—	
SAE FLG/6	Ø1.23	3.85	
3/8 SAE ASSM3	Ø1.23	3.85	
1/2 SAE ASSM3	Ø1.48	3.90	

# 3016AL SERIES

Air Loaded, High Pressure, High Flow  
Pressure Reducing Regulators

PART #	-	1	2	3	4	-	5	6	-	MODS
30-10227	-					-			-	

**Cv 2.0 MODEL**

1	OUTLET PRESSURE
3	10-1500 PSIG (0.69 - 103.42 bar) <i>Diameter: 1.000"</i> <i>Area: 0.7854 in<sup>2</sup></i> <i>Ratio: 16/1 **</i>
4	15-2500 PSIG (1.03 - 172.37 bar) <i>Diameter: 0.750"</i> <i>Area: 0.4418 in<sup>2</sup></i> <i>Ratio: 28/1 **</i>
6	50-6000 PSIG (3.45 - 413.69 bar) <i>Diameter: 0.500"</i> <i>Area: 0.1964 in<sup>2</sup></i> <i>Ratio: 64/1 **</i>
<i>** 4.0" diameter diaphragm</i> <i>Diaphragm area: 12.5664 in<sup>2</sup></i>	
2	PORTING CONFIGURATIONS
A	
C	
L	
S	

3	PORT SIZE
8	1/2"*
9	9/16"*
T	3/4"
W	1"
<i>*1/2" ports not available in medium pressure</i> <i>**9/16" ports only available in medium pressure</i> <i>(Gauge ports: 1/4" FNPT)</i>	
4	PORT TYPE (IN/OUT/VENT)
N	NPT
J	SAE J1926
A	SAE AS5202**
M	MEDIUM PRESSURE
<i>**SAE AS5202 supersedes MS33649</i>	

5 6	O-RING MATERIAL
00	BUNA-N
01	AFLAS®
02	VITON-A®
05	EPDM
11	KALREZ® <i>(contact factory for pricing)</i>
MODIFICATIONS	
<i>Separate multiple mods with a dash</i>	
Blank	None
AS	1/4 SAE AS5202 loader port
E	1/8 NPT air loader port
J	1/4 SAE J1926 loader port
NV	Non-venting
SM	Surface mount
PTU	Port type uniform

### 6000 PSIG MAX INLET

*The end user is responsible to ensure adequate fittings are used to connect regulator to plumbing.*

*Kalrez® & Viton® are registered trademarks of E.I.duPont de Nemours and Company*


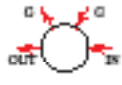
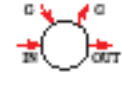
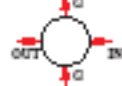

*AFLAS® is a registered trademark of the Asahi Glass Co., Ltd.*

*Contact factory for material certifications. Fees may apply.*

PART #	-	1	2	3	4	-	5	6	-	MODS
<b>90-10225AL</b>	-					-			-	

**Cv 1.0 MODEL**

1	OUTLET PRESSURE
3	1500 PSIG (103.42 bar) Diameter: 1.000" Area: 0.7854 in <sup>2</sup> Ratio: 1 <sup>1</sup> / <sub>2</sub> **
4	2500 PSIG (172.37 bar) Diameter: 0.750" Area: 0.4418 in <sup>2</sup> Ratio: 2 <sup>1</sup> / <sub>2</sub> **
6	6000 PSIG (413.69 bar) Diameter: 0.500" Area: 0.1964 in <sup>2</sup> Ratio: 6 <sup>1</sup> / <sub>2</sub> **
7	10000 PSIG (689.48 bar) Diameter: 0.375" Area: 0.1104 in <sup>2</sup> Ratio: 11 <sup>1</sup> / <sub>2</sub> **
** 4.0" diameter diaphragm Diaphragm area: 12.5664 in <sup>2</sup>	

2	PORTING CONFIGURATIONS
A	
C	
D	
L	
S	
3	PORT SIZE
6	3/8"
8	1/2"
(Gauge ports: 1/4" FNPT)	
4	PORT TYPE (IN/OUT/VENT)
N	NPT
J	SAE J1926
A	SAE AS5202**
**SAE AS5202 supersedes MS33649	

5 6	O-RING MATERIAL
00	BUNA-N
01	AFLAS®
02	VITON-A®
05	EPDM
11	KALREZ® (contact factory for pricing)
MODIFICATIONS	
Separate multiple mods with a dash	
Blank	None
AS	1/4 SAE AS5202 loader port
E	1/8 NPT air loader port
J	1/4 SAE J1926 loader port
PTU	Port type uniform
SM	Surface mount

### 10000 PSIG MAX INLET

The end user is responsible to ensure adequate fittings are used to connect regulator to plumbing.

Kalrez® & Viton® are registered trademarks of E.I. du Pont de Nemours and Company

AFLAS® is a registered trademark of the Asahi Glass Co., Ltd.

Contact factory for material certifications. Fees may apply.

# 3016DL SERIES

Dome Loaded, High Pressure, High Flow  
Pressure Reducing Regulators



Premier 3016DL Series regulators are dome loaded, high pressure, high flow, piston sensed, pressure reducing regulators rated for inlet pressures up to 10000 PSIG (*dependent on materials of construction*), and Cv 1.0 or 2.0. The dome must be charged (externally) from a gas pressure source (10000 PSIG MAX).

## FEATURES

- High flow, Cv 1.0 or 2.0
- Piston sensed
- 1:1 dome load
- Compatible with electro-pneumatic controllers
- Machined bar stock body eliminates porosity found in castings

**SOME APPLICATIONS WILL REQUIRE A CUSTOM SOLUTION.**  
CONTACT PREMIER INDUSTRIES TO REQUEST A MODIFICATION  
OR A CUSTOM DESIGN.

## SPECIFICATIONS

- **MAXIMUM INLET PRESSURE (REGULATOR AND DOME):**
  - 6000 psig / 413.7 bar, 316 Stainless Steel body
  - 10000 psig / 689.5 bar, 17-4 Stainless Steel body
- **FLOW (Cv):** 1.0 or 2.0

## MATERIALS OF CONSTRUCTION

- **BODY OPTIONS:**
  - 316 Stainless Steel
  - 17-4 Stainless Steel
- **WETTED, OTHER:**
  - 316 Stainless Steel, and 17-4 Stainless Steel
- **MAIN VALVE SEAT OPTIONS:**
  - P/N: 30-10227DL:
    - Vespel® SP-1
  - P/N: 30-10225DL:
    - PCTFE (6000 PSIG)
    - Vespel® (10000 PSIG) (*standard*)
- **VENT VALVE SEAT:**
  - Vespel® SP-1
- **BACK-UP RINGS:**
  - PTFE or PCTFE
- **O-RING MATERIAL OPTIONS:**
  - BUNA-N
  - AFLAS®
  - Viton-A®
  - EPDM
  - Kalrez®

## PORTING

- **INLET/OUTLET:**
  - See part number selection tables on pages 5 and 6
- **GAUGE PORTS:**
  - 1/4" FNPT (*standard*)
- **DOME INLET:**
  - 1/4" (*inlet/outlet port type*)
- **VENT PORT:**
  - 1/4" (*inlet/outlet port type*)

## OPTIONS

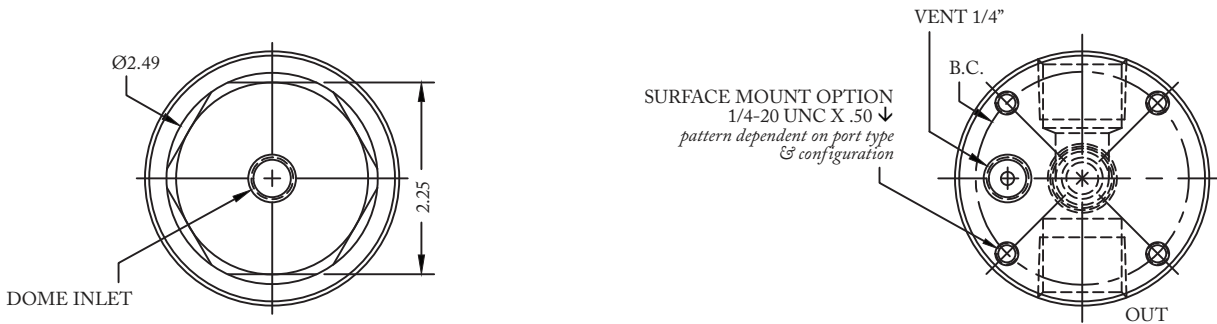
- Private Label
- Surface mount
- Port type uniform
- Non-venting option (30-10227DL)

Viton®, Vespel® and Kalrez® are registered trademarks of  
E.I. duPont de Nemours and Company  
AFLAS® is a registered trademark of the Asahi Glass Co., Ltd

# 3016DL SERIES

Dome Loaded, High Pressure, High Flow  
Pressure Reducing Regulators

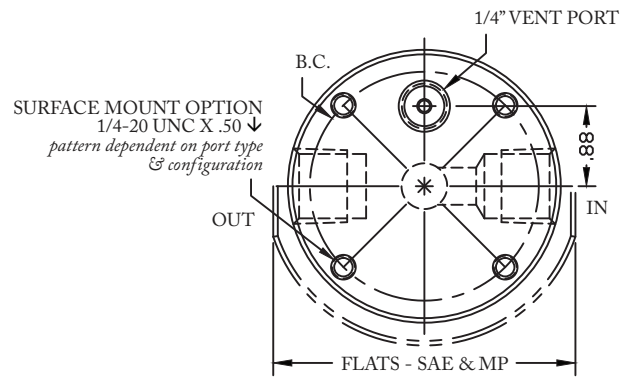
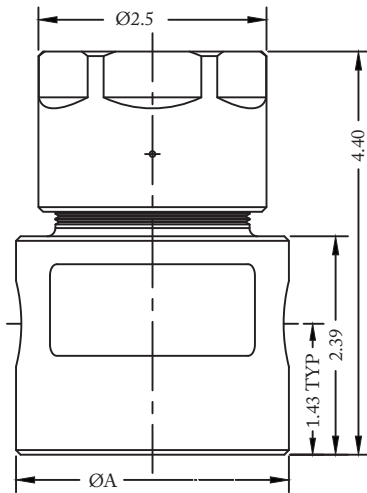
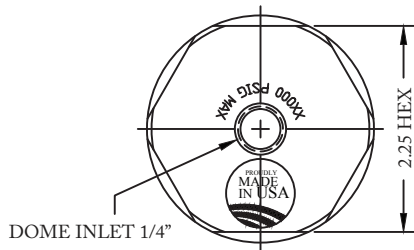
**PART NUMBER: 30-10227DL Cv 2.0**  
SHOWN BELOW WITH 3/4" NPT PORTS



PORT TYPE	ØA	FLATS	B.C.
1/2" & 3/4"NPT	Ø2.98	—	Ø2.50
1/2" SAE	Ø3.23	3.05	Ø2.63
1" NPT	Ø3.48	—	Ø2.75
9.16" medium pressure	Ø3.48	3.30	Ø2.75
3/4" SAE J1926	Ø3.73	3.36	Ø3.00
3/4" SAE AS5202	Ø3.98	3.60	Ø3.25
3/4" medium pressure	Ø3.98	3.60	Ø3.25
1" SAE	Ø3.98	3.60	Ø3.25

'L' CONFIGURATION BODIES TYPICALLY  
REQUIRE A LARGER ØA

PART NUMBER: 30-10225DL Cv 1.0



PORT TYPE	ØA	FLATS	B.C.
1/2" NPT	Ø2.98	—	Ø2.50
1/2" SAE	Ø3.23	3.05	Ø2.63
9.16" medium pressure	Ø3.48	3.30	Ø2.63

*10K ONLY*

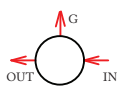
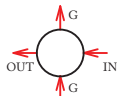
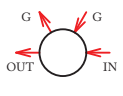
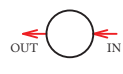


# 3016DL SERIES

Dome Loaded, High Pressure, High Flow  
Pressure Reducing Regulators

PART NUMBER	-	1	2	3	4	-	5 6	-	MODS
30-10227DL	-					-		-	

CAPTURED VENTING, Cv 2.0

1	OUTLET PRESSURE
6	50-6000 PSIG (3.5-413.7 bar)
7	100-10000 PSIG (6.89-689.5 bar)
2	PORTING CONFIG.
A	
L	
C	
S	
3	PORT SIZE (Inlet/outlet)
8	1/2"*
9	9/16"**
T	3/4"
W	1"
<p>*1/2" not available in medium pressure ** 9/16" only available in medium pressure</p>	

4	PORT TYPE (Inlet/outlet/vent)
N	NPT
J	SAE J1926
A	SAE AS5202
M	Medium pressure
<i>SAE J1926 &amp; AS5202 are not recommended for 10000 psig.</i>	
5 6	O-RINGS
00	BUNA-N
01	AFLAS®
02	VITON-A®
05	EPDM
11	KALREZ® <i>(contact factory for pricing)</i>

MODIFICATIONS	
<i>Separate multiple mods with a dash</i>	
Blank	None
K	PCTFE main valve seat <i>(6000 PSIG only)</i>
NV	Non-venting
PTU	Port type uniform
SM	Surface mount

6000 PSIG MAX INLET (316 SS)  
10000 PSIG MAX INLET (17-4 SS)  
*The end user is responsible to ensure adequate fittings are used to connect regulator to plumbing.*

*Kalrez® & Viton® are registered trademarks of E.I. duPont de Nemours and Company. AFLAS® is a registered trademark of the Asahi Glass Co., Ltd. Monel is a registered trademark of Specialty Metals Corporation.*

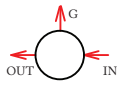
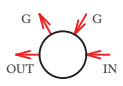
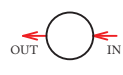
*Contact factory for material certifications. Fees may apply.*

# 3016DL SERIES

Dome Loaded, High Pressure, High Flow  
Pressure Reducing Regulators

PART NUMBER	-	1	2	3	4	-	5 6	-	MODS
30-10225DL	-					-		-	

**CAPTURED VENTING, C<sub>v</sub> 1.0**

1	OUTLET PRESSURE
6	50-6000 PSIG (3.5-413.7 bar)
7	100-10000 PSIG (6.89-689.5 bar)
2	PORTING CONFIG.
A	
C	
S	
3	PORT SIZE (Inlet/outlet)
6	3/8"
8	1/2"*
9	9/16"***
<p><i>*1/2" not available in medium pressure</i>  <i>** 9/16" only available in medium pressure</i></p>	

4	PORT TYPE (Inlet/outlet/vent)
N	NPT
J	SAE J1926
A	SAE AS5202
M	Medium pressure
5 6	O-RINGS
00	BUNA-N
01	AFLAS®
02	VITON-A®
05	EPDM
11	KALREZ® <i>(contact factory for pricing)</i>

MODIFICATIONS	
<i>Separate multiple mods with a dash</i>	
Blank	None
SM	Surface mount
PTU	Port type uniform

*6000 PSIG MAX INLET (316 SS)  
 10000 PSIG MAX INLET (17-4 SS)  
 The end user is responsible to ensure adequate fittings are used to connect regulator to plumbing. SAE J1926 & AS5202 are not recommended for 10000 psig.*

*Kalrez® & Viton® are registered trademarks of E.I. duPont de Nemours and Company. AFLAS® is a registered trademark of the Asahi Glass Co., Ltd.*

*Contact factory for material certifications. Fees may apply.*

## 3020 SERIES

High Pressure, Low-torque Hand Knob  
Pressure Reducing Regulators



The high pressure Premier 3020 Series pressure reducing regulators are single stage, piston sensed, variable delivery, pressure reducing regulators, designed for inlet and outlet pressures up to 10000 PSIG (689.5 Bar), and Cv 0.04, 0.06, 0.12, 0.2, or, 0.3. This regulator features an easily adjusted, ball bearing hand knob for smooth adjustments.

Premier 3020 Series regulators are used to regulate a broad range of non-corrosive and corrosive media (based on materials of construction). They are designed for increased serviceability and reliable operation with the integral 15 micron stainless steel valve cartridge filter. Premier 3020 Series regulators can be supplied with a wide range of inlet and outlet configurations.

### FEATURES

- Low-torque hand knob
- 15 micron stainless steel valve cartridge filter
- Self venting design (*venting can easily be rendered non-operational*)
- Numerous optional features are available
- Captured venting available
- Machined bar stock body, bonnet and piston eliminates porosity found in castings
- Economical pricing

**SOME APPLICATIONS WILL REQUIRE A CUSTOM SOLUTION.**  
CONTACT PREMIER INDUSTRIES TO REQUEST A MODIFICATION  
OR A CUSTOM DESIGN.

## SPECIFICATIONS

- **MAXIMUM INLET PRESSURE:**
  - *(Stainless Steel):* 10000 PSIG (689.5 Bar)
  - *(Brass):* 6000 PSIG (413.7 Bar)
- **CONTROL PRESSURE RANGES:**
  - 0-200 PSIG (0-13.8 Bar)
  - 5-500 PSIG (0.35-34.5 Bar)
  - 5-800 PSIG (0.35-55.2 Bar)
  - 10-1500 PSIG (0.69-103.4 Bar)
  - 15-2500 PSIG (1.0-172.4 Bar)
  - 25-4000 PSIG (1.7-275.8 Bar)
  - 50-6000 PSIG (3.4-413.7 Bar)
  - 100-10000 PSIG (6.9-689.5 Bar)
- **FLOW (Cv):** 0.04, 0.06, 0.12, 0.2, or 0.3
- **OPERATING TEMPERATURES:**
  - BUNA-N: -15°F / -26°C\* to 165°F / 74°C
  - Viton®: -4°F / -20°C\* to 165°F / 74°C
  - EPDM: -65°F / -54°C to 165°F / 74°C

*\*lower temperature compounds are available*

## MATERIALS OF CONSTRUCTION

- **BODY:**
  - 316 Stainless Steel
  - SAE 360 Brass
- **BONNET:**
  - 17-4 Stainless Steel
  - SAE 360 Brass
- **OTHER WETTED PARTS:**
  - 316 Stainless Steel
- **OPERATING TEMPERATURES:**
  - Viton®
  - Buna-N
  - EPDM
  - Kalrez® (*contact factory for pricing*)
  - AFLAS®
  - Polyurethane
  - Nitrile, lo-temp
- **BACK-UP RINGS:**
  - PTFE, and PCTFE
- **MAIN VALVE:**
  - 316 Stainless Steel
- **MAIN VALVE SEAT:**
  - Vespel® (*standard*)
  - PEEK® (*optional*)

## PORTING

- **INLET/OUTLET PORTING OPTIONS:**
  - 1/4", 3/8", 1/2" FNPT
  - 1/4", 3/8", 1/2" SAE J1926
  - 1/4", 3/8", 1/2" SAE AS5202\*\*
  - 1/4", 3/8", 9/16" Medium Pressure
  - 1/4", 3/8", 9/16" High Pressure

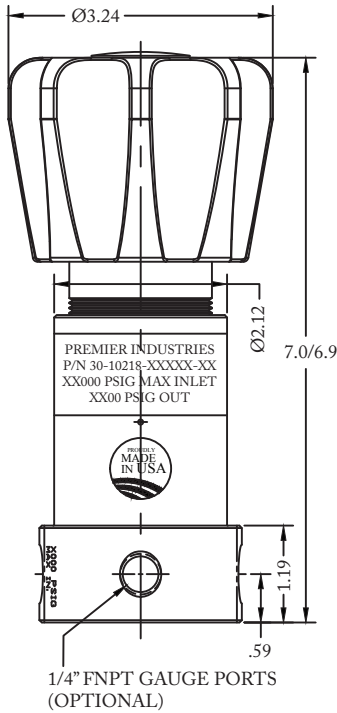
*\*\*SAE AS5202 supersedes MS33649*

## OPTIONS

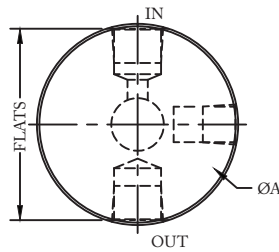
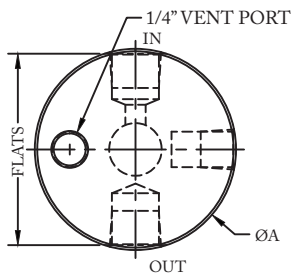
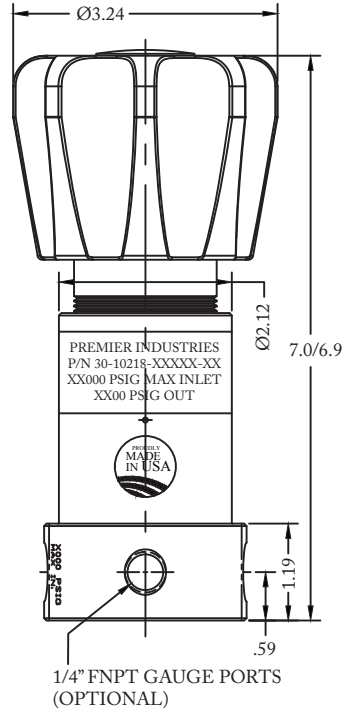
- Gauges
- Captured venting
- Private label
- Panel mounting bracket: *P/N: 30-10059*  
(Ø2.15 panel hole)

*Vespel® Kalrez® & Viton® are registered trademarks of  
E.I. duPont de Nemours and Company  
AFLAS® is a registered trademark of the Asahi Glass Co., Ltd.  
PEEK® is a registered trademark of Victrex PLC*

**PART NUMBER: 30-10218GC**



**PART NUMBER: 30-10218G**



PORT TYPE	ØA	FLATS
NPT, NPTF	Ø2.48	—
1/4" M.P. & H.P.	Ø2.48	2.36
1/4" & 3/8" SAE	Ø2.98	2.81
3/8" M.P. & H.P.	Ø2.98	2.81
1/2" SAE	Ø3.23	2.98
9/16" M.P.	Ø3.23	2.98

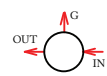
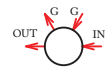
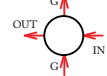
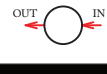
PART NUMBER	-	1	2	3	4	5	-	6 7	8	-	MODS
30-10218G	-						-			-	

### SELF-VENTING

*(non-venting modification available)*

1	BODY/BONNET MATERIALS (MAX. INLET PRESSURE)
1	SAE 360 Brass Body & Bonnet (6000 PSIG / 413.7 Bar)
2	316SS Body, 17-4SS Bonnet (10000 PSIG / 689.5 Bar)
2	OUTLET PRESSURE
0	0-200 PSIG (0-13.8 Bar)
1	5-500 PSIG (0.34-34.5 Bar)
2	5-800 PSIG (0.34-55.2 Bar)
3	10-1500 PSIG (0.69-103.4 Bar)
4	15-2500 PSIG (1.0-172.4 Bar)
5	25-4000 PSIG (1.7-275.8 Bar)
6	50-6000 PSIG (3.4-413.7 Bar)
7	100-10000 PSIG (6.9-689.5 Bar) <i>(stainless steel only)</i>

3	FLOW (Cv)
0	Cv 0.06
1	Cv 0.12
2	Cv 0.2
3	Cv 0.3
4	Cv 0.04
4	PORT SIZE <i>Gauge ports 1/4" FNPT</i>
4	1/4"
6	3/8"
8	1/2"
9	9/16"
<i>*1/2" not available in medium pressure **9/16" only available in medium pressure.</i>	
5	PORT TYPE
1	FNPT
2	SAE J1926
3	SAE AS5202
4	Medium Pressure
5	High Pressure
<i>**SAE AS5202 supersedes MS33649</i>	

6 7	O-RINGS
00	BUNA-N
01	AFLAS®
02	VITON®
05	EPDM
11	KALREZ® <i>(contact factory for pricing)</i>
12	NITRILE, LO-TEMP
8	PORT CONFIGURATION
A	
C	
L	
S	
MODIFICATIONS	
<i>Separate multiple mods with a dash</i>	
Blank	none
SM	surface mount*
PTU	port type uniform
PK	PEEK® seat
NV	Non-venting
<i>*Surface mount: pattern dependent on port type, size, and configuration</i>	

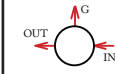
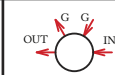
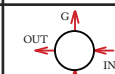
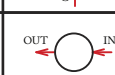
*Vespel® Kalrez® & Viton® are registered trademarks of E.I. duPont de Nemours and Company  
AFLAS® is a registered trademark of the Asahi Glass Co., Ltd.  
PEEK® is a registered trademark of Victrex PLC  
Contact factory for material certifications.  
Fees may apply.*

SERIES	-	1	2	3	4	5	-	6 7	8	-	MODS
30-10218GC	-						-			-	

## CAPTURED-VENTING

1	BODY/BONNET MATERIALS (MAX. INLET PRESSURE)
1	SAE 360 Brass Body & Bonnet (6000 PSIG / 413.7 Bar)
2	316SS Body, 17-4SS Bonnet (10000 PSIG / 689.5 Bar)
2	OUTLET PRESSURE
0	0-200 PSIG (0-13.8 Bar)
1	5-500 PSIG (0.34-34.5 Bar)
2	5-800 PSIG (0.34-55.2 Bar)
3	10-1500 PSIG (0.69-103.4 Bar)
4	15-2500 PSIG (1.0-172.4 Bar)
5	25-4000 PSIG (1.7-275.8 Bar)
6	50-6000 PSIG (3.4-413.7 Bar)
7	100-10000 PSIG (6.9-689.5 Bar) (stainless steel only)

3	FLOW (Cv)
0	Cv 0.06
1	Cv 0.12
2	Cv 0.2
3	Cv 0.3
4	Cv 0.04
4	PORT SIZE Gauge ports 1/4" FNPT
4	1/4"
6	3/8"
8	1/2"*
9	9/16"**
<i>*1/2" not available in medium pressure **9/16" only available in medium pressure.</i>	
5	PORT TYPE
1	FNPT
2	SAE J1926
3	SAE AS5202
4	Medium Pressure
5	High Pressure
<i>**SAE AS5202 supersedes MS33649</i>	

6 7	O-RINGS
00	BUNA-N
01	AFLAS®
02	VITON®
05	EPDM
11	KALREZ® <i>(contact factory for pricing)</i>
12	NITRILE, LO-TEMP
8	PORT CONFIGURATION
A	
C	
L	
S	
MODIFICATIONS	
<i>Separate multiple mods with a dash</i>	
Blank	none
SM	surface mount*
PTU	port type uniform
PK	PEEK® seat
<i>*Surface mount: pattern dependent on port type, size, and configuration</i>	

### 10000 PSIG MAX INLET

*The end user is responsible to ensure adequate fittings are used to connect regulator to plumbing.*

*Kalrez® & Viton® are registered trademarks of E.I. duPont de Nemours and Company  
AFLAS® is a registered trademark of the Asahi Glass Co., Ltd.  
PEEK® is a registered trademark of Victrex PLC*

*Contact factory for material certifications.  
Fees may apply.*

## 3023 SERIES

High Pressure (15000 PSIG MAX), Piston Sensed  
Pressure Reducing Regulators



The high pressure Premier 3023 Series pressure reducing regulators are single stage, piston sensed, variable delivery, pressure reducing regulators, designed for inlet and outlet pressures up to 15000 PSIG (*1034.21 bar*) and Cv 0.06, 0.12, or 0.20.

Premier 3023 Series regulators are used to regulate a broad range of non-corrosive and corrosive media (based on materials of construction). The regulator's captured venting allows gases to be safely piped away. Premier 3023 Series regulators can be supplied with a wide range of inlet and outlet configurations.

## FEATURES

- Captured venting (*optional non-venting modification available*)
- 15000 PSIG (*1034.21 bar*) MAX
- Cv 0.06, 0.12, or 0.20
- Numerous optional features
- Economical pricing
- Machined bar stock body, bonnet and piston eliminates porosity found in castings

**SOME APPLICATIONS WILL REQUIRE A CUSTOM SOLUTION.**  
CONTACT PREMIER INDUSTRIES TO REQUEST A MODIFICATION  
OR A CUSTOM DESIGN.



## SPECIFICATIONS

- **MAX INLET PRESSURE (SS):**
  - 15000 PSIG (1034.21 bar)
- **CONTROL PRESSURE RANGES:**
  - 5-500 PSIG (0.34 - 34.47 bar),
  - 5-1000 PSIG (0.34 - 68.95 bar),
  - 10-1500 PSIG (0.69 - 103.42 bar),
  - 15-2500 PSIG (1.03 - 172.37 bar),
  - 25-4000 PSIG (1.72 - 275.79 bar),
  - 50-6000 PSIG (3.45 - 413.69 bar),
  - 100-10000 PSIG (6.89 - 689.48 bar),
  - 300-15000 PSIG (20.68 - 1034.21 bar)
- **FLOW (C<sub>v</sub>):** 0.06, 0.12, or 0.20
- **VENT VALVE (C<sub>v</sub>):** 0.06
- **OPERATING TEMPERATURE:**
  - -15°F/-26°C to 165°F/74°C (BUNA-N)
  - -4°F/-20°C to 165°F/74°C (VITON®)
  - -65°F/-54°C to 165°F/74°C (EPDM)
  - 15°F/-9°C to 165°F/74°C (AFLAS)
  - -65°F/-54°C to 165°F/74°C (NITRILE)

## MATERIALS OF CONSTRUCTION

- **BODY:** 316 Stainless Steel,
- **BONNET:** 17-4 Stainless Steel
- **MAIN/VENT VALVE STEM:** 17-4 Stainless Steel
- **WETTED PARTS, OTHER:**
  - 316 Stainless Steel,
  - 17-4 Stainless Steel
- **BACK-UP RINGS:**
  - PTFE
  - PCTFE
- **VALVE SEAT:** Vespel®

## PORTING

- **INLET/OUTLET/**
  - 1/4" FNPT (standard), medium pressure, high pressure
  - 3/8" FNPT, medium pressure, high pressure
  - 9/16" medium pressure
- **VENT PORTING:**
  - 1/4" FNPT (standard)
  - 1/4" Medium pressure
  - 1/4" High pressure
- **GAUGE PORTS:** 1/4" FNPT

## OPTIONS

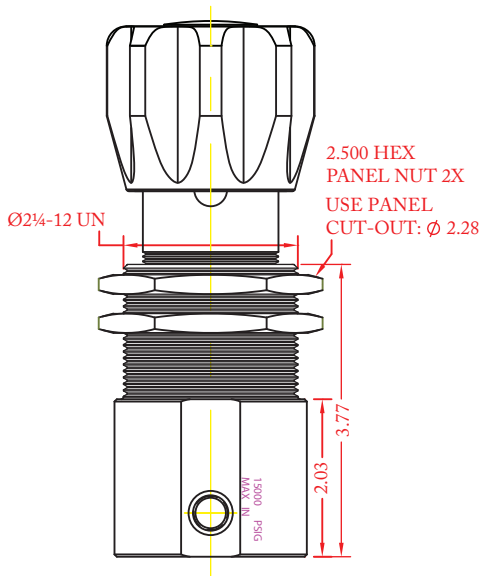
- Gauges
- Private label
- Panel mounting bracket: P/N: 30-10059 (Ø2.15 panel hole)
- Panel mounting nuts: P/N: 30-10189 (Ø2.28 panel hole)
- Non-venting modification
- Tamper resistant acorn nut
- Ball-bearing loader

Vespel® & Viton® are registered trademarks of E.I. duPont  
de Nemours and Company

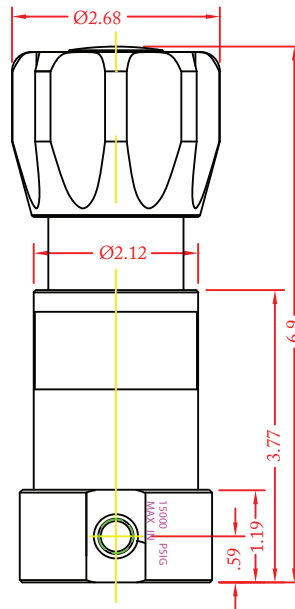
Contact factory for material certifications. Fees may apply.

PART NUMBER: 30-10213G

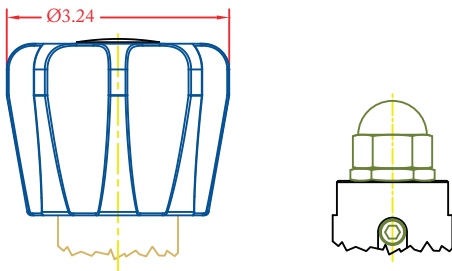
### PANEL NUT STYLE



### PANEL MOUNTING BRACKET STYLE

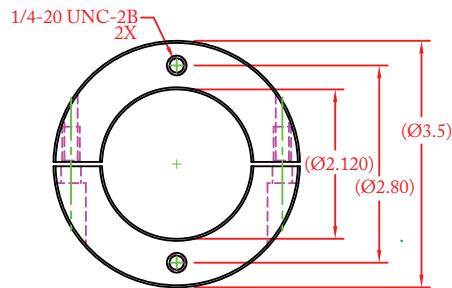


### OPTIONAL BALL BEARING LOADER OR TAMPER RESISTANT ACORN NUT



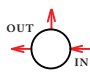
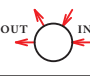
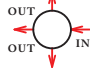
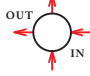
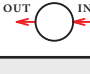
### PANEL MOUNTING BRACKET (optional)

Part number: 30-10059



SERIES	1	2	-	3	4	5	6	-	7	8	9	-	MODS
30-10213G			-					-				-	

1 2	MOUNTING STYLE
<b>MB</b>	Mounting bracket style body
<b>PN</b>	Panel nut style body
3	OUTLET PRESSURE
<b>1</b>	5-500 PSIG / 0.34-34.5 Bar
<b>2</b>	5-1000 PSIG / 0.34-68.9 Bar
<b>3</b>	10-1500 PSIG / 0.69-103.4 Bar
<b>4</b>	15-2500 PSIG / 1.0-172.4 Bar
<b>5</b>	25-4000 PSIG / 1.7-275.8 Bar
<b>6</b>	50-6000 PSIG / 3.4-413.7 Bar
<b>7</b>	100-10000 PSIG / 6.9-689.5 Bar
<b>8</b>	300-15000 PSIG / 20.68-1034.21 Bar

4	PORTING CONFIG.
<b>A</b>	
<b>C</b>	
<b>E</b>	
<b>L</b>	
<b>S</b>	
5	PORT SIZE (Gauge ports 1/4" FNPT)
<b>4</b>	1/4"
<b>6</b>	3/8"
<b>9</b>	9/16" (only available in medium pressure)
6	PORT TYPE (1/4" vent port)
<b>1</b>	FNPT
<b>4</b>	Medium Pressure
<b>5</b>	High Pressure

7 8	O-RINGS
<b>00</b>	BUNA-N
<b>01</b>	AFLAS®
<b>02</b>	VITON®
<b>05</b>	EPDM
<b>08</b>	POLYURETHANE
<b>11</b>	KALREZ® <i>(contact factory for pricing)</i>
<b>12</b>	NITRILE, LO-TEMP
9	Cv MAIN VALVE Valve seat material
<b>0</b>	Cv 0.06 VESPEL SP-1®
<b>1</b>	Cv 0.12 VESPEL SP-1®
<b>2</b>	Cv 0.20 VESPEL SCP-5000®
<i>(Vent valve: Cv 0.06)</i>	
MODIFICATIONS	
<i>Separate multiple mods with a dash</i>	
<b>Blank</b>	None
<b>ANT</b>	Acorn nut
<b>BBL</b>	Ball-bearing loader
<b>NV</b>	Non-venting

**15000 PSIG MAX INLET**

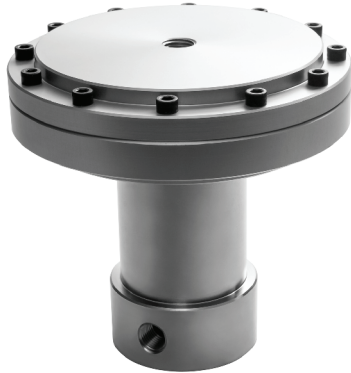
*The end user is responsible to ensure adequate fittings are used to connect regulator to plumbing*

*VespeL® Kalrez® & Viton® are registered trademarks of E.I. duPont de Nemours and Company. AFLAS® is a registered trademark of the Asahi Glass Co., Ltd*

*Contact factory for material certifications. Fees may apply.*

# 3023AL SERIES

**Air Loaded, High Pressure**  
Pressure Reducing Regulators



The high pressure, air loaded, Premier 3023AL Series pressure reducing regulators are single stage, piston sensed, pressure reducing regulators, designed for inlet and outlet pressures up to 15000 PSIG (*1034.21 bar*) and Cv 0.06, 0.12, or 0.20.

Premier 3023AL Series Regulators are designed for compatibility with electropneumatic controllers, enabling piloted pressure control from an inert gas at low pressures (*100 psig / 6.89 bar max air load*).

Premier 3023AL Series regulators are used to regulate a broad range of non-corrosive and corrosive media (based on materials of construction). Captured venting is standard.

## FEATURES

- Compatible with electro-pneumatic controllers
- 15000 PSIG (*1034.21 bar*) MAX
- Captured venting
- Cv 0.06, 0.12, or 0.20
- Numerous optional features
- Economical pricing
- Machined bar stock body, bonnet and piston eliminates porosity found in castings

**SOME APPLICATIONS WILL REQUIRE A CUSTOM SOLUTION.**  
CONTACT PREMIER INDUSTRIES TO REQUEST A MODIFICATION  
OR A CUSTOM DESIGN.

## SPECIFICATIONS

- **MAX INLET PRESSURE:**
  - REGULATOR: 15000 PSIG / 1034.21 bar  
*(stainless steel)*
  - AIR ACTUATOR: 100 PSIG (6.89 bar)
- **CONTROL PRESSURE RANGES:**
  - 10-1500 PSIG (0.69 - 103.42 bar)  
Diameter: 1.000"  
Area: 0.7854 in<sup>2</sup>  
Ratio: 16/1 \*\*
  - 15-2500 PSIG (1.03 - 172.37 bar)  
Diameter: 0.750"  
Area: 0.4418 in<sup>2</sup>  
Ratio: 28/1 \*\*
  - 50-6000 PSIG (3.45 - 413.69 bar)  
Diameter: 0.500"  
Area: 0.1964 in<sup>2</sup>  
Ratio: 64/1 \*\*
  - 100-10000 PSIG (6.89 - 689.5 bar)  
Diameter: 0.375"  
Area: 0.1104 in<sup>2</sup>  
Ratio: 114/1 \*\*
  - 300-15000 PSIG (20.68 - 1034.21 bar)  
Diameter: 0.312"  
Area: 0.0765 in<sup>2</sup>  
Ratio: 164/1 \*\*

\*\* 4.0" diameter diaphragm  
Diaphragm area: 12.5664 in<sup>2</sup>

- **FLOW (Cv):** 0.06, 0.12, or 0.20
- **VENT VALVE Cv:** 0.06
- **OPERATING TEMPERATURE:**
  - -15°F/-26°C to 212°F/100°C (BUNA-N)
  - -4°F/-20°C to 212°F/100°C (VITON®)
  - -65°F/-54°C to 212°F/100°C (EPDM)
  - 15°F/-9°C to 212°F/100°C (AFLAS)

## MATERIALS OF CONSTRUCTION

- **BODY:**
  - 316 Stainless Steel
- **HOUSING, AIR ACTUATOR:**
  - 6061-T6 Aluminum, Clear Anodized
- **DIAPHRAGM, AIR ACTUATOR:**
  - Neoprene, nylon reinforced
- **WETTED PARTS, OTHER:**
  - 316 Stainless Steel
  - 17-4 Stainless Steel
- **BACK-UP RINGS:** PTFE, PCTFE
- **MAIN VALVE SEAT/VENT VALVE SEAT OPTIONS:**
  - Vespel®
- **MAIN/VENT VALVE STEM:**
  - 17-4 Stainless Steel, hardened

## PORTING

- **INLET/OUTLET PORTING OPTIONS:**
  - 1/4", 3/8" FNPT (standard)
  - 1/4", 3/8", 9/16" Medium Pressure
  - 1/4", 3/8" High Pressure
- **VENT PORT:** 1/4" inlet/outlet port type
- **LOAD PORT:**
  - 1/4" NPT (standard)
  - 1/4" SAE AS5202
  - 1/4" SAE J1926
  - 1/8" NPT

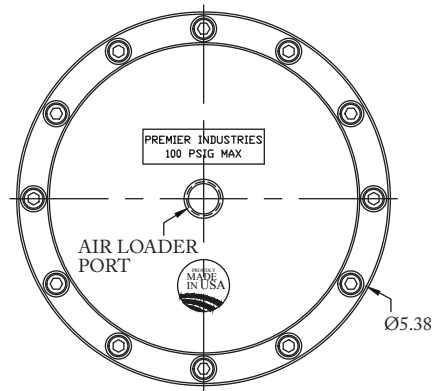
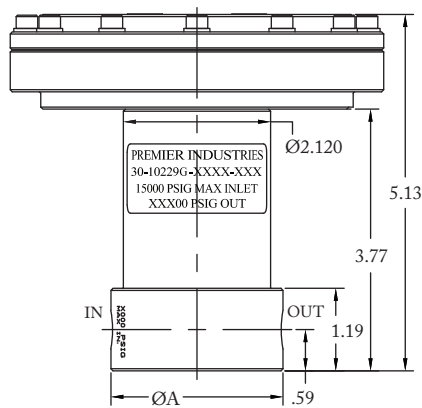
## OPTIONS

- Gauges
- Private label
- Panel mounting bracket: P/N: 30-10059  
(Ø2.15 panel hole)

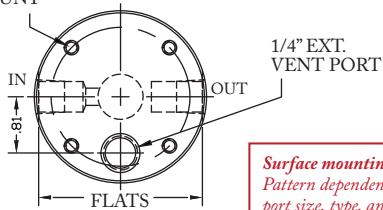
Vespel® Kalrez® & Viton® are registered trademarks of  
E.I. du Pont de Nemours and Company  
AFLAS® is a registered trademark of the Asahi Glass Co., Ltd

Contact factory for material certifications. Fees may apply.

**PART NUMBER: 30-10229G**



#10-32 UNF X .38 DP  
SURFACE MOUNT  
(OPTIONAL)



*Surface mounting holes:  
Pattern dependent on  
port size, type, and  
configuration*

PORT TYPE	ØA	FLATS
NPT	Ø2.48	—
1/4" OTHER	Ø2.48	2.36
3/8" M.P.	Ø2.98	2.81
3/8" H.P.	Ø3.23	2.98
9/16" M.P.	Ø3.23	2.98

PART #	-	1	2	3	4	-	5 6	7	-	MODS
30-10229G	-					-			-	

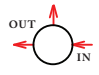
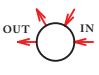
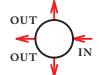
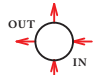

1	OUTLET PRESSURE	
3	10-1500 PSIG 0.69-103.4 Bar	Diameter: 1.000" Area: 0.7854 in <sup>2</sup> Ratio: 16/1 **
4	15-2500 PSIG 1.0-172.4 Bar	Diameter: 0.750" Area: 0.4418 in <sup>2</sup> Ratio: 28/1 **
6	50-6000 PSIG 3.4-413.7 Bar	Diameter: 0.500" Area: 0.1964 in <sup>2</sup> Ratio: 64/1 **
7	100-10000 PSIG 6.9-689.5 Bar	Diameter: 0.375" Area: 0.1104 in <sup>2</sup> Ratio: 114/1 **
8	300-15000 PSIG 20.68-1034.21 Bar	Diameter: 0.312" Area: 0.0765 in <sup>2</sup> Ratio: 164/1 **
<p><b>** 4.0" diameter diaphragm</b> Diaphragm area: 12.5664 in<sup>2</sup></p>		

### 15000 PSIG MAX INLET

The end user is responsible to ensure adequate fittings are used to connect regulator to plumbing.

Vespe<sup>l</sup>® Kalrez<sup>®</sup> & Viton<sup>®</sup> are registered trademarks of E.I.duPont de Nemours and Company  
AFLAS<sup>®</sup> is a registered trademark of the Asahi Glass Co., Ltd

Contact factory for material certifications. Fees may apply.

2	PORTING CONFIGURATION
A	
C	
E	
L	
S	
3	PORT SIZE
4	1/4"
6	3/8"
9	9/16" <sup>***</sup> (Only available in medium pressure)
4	PORT TYPE (1/4" vent port)
1	FNPT
4	Medium Pressure
5	High Pressure

5 6	O-RINGS
00	BUNA-N
01	AFLAS <sup>®</sup>
02	VITON-A <sup>®</sup>
05	EPDM
08	POLYURETHANE
11	KALREZ <sup>®</sup> (contact factory for pricing)
7	Cv MAIN VALVE (Valve seat material)
0	Cv 0.06 (VESPEL SP-1 <sup>®</sup> )
1	Cv 0.12 (VESPEL SP-1 <sup>®</sup> )
2	Cv 0.20 (VESPEL SCP-5000 <sup>®</sup> )
MODIFICATIONS Separate multiple mods with a dash	
BLANK	None
AS	1/4" SAE AS5202 LOADER PORT
E	1/8" NPT AIR LOADER PORT
J	1/4" SAE J1926 LOADERPORT
NV	NON-VENTING
SM	SURFACE MOUNT

# 3023DL SERIES

Dome Loaded, High Pressure  
Pressure Reducing Regulators



Premier 3023DL Series pressure reducing regulators are dome loaded, high pressure, piston sensed, pressure reducing regulators, designed for inlet pressures up to 15000 PSIG (*1034.21 bar*) and Cv 0.06, 0.12, or 0.2. Captured venting allows fluids/gases to be safely piped away.

## FEATURES

- Captured venting
- 15000 PSIG (*1034.21 bar*) max inlet
- Outlet pressures up to 15000 PSIG
- 1:1 load ratio
- Piston: Ø1.125
- Cv 0.06, 0.12, or 0.2.
- Machined bar stock body, bonnet and piston eliminates porosity found in castings

**SOME APPLICATIONS WILL REQUIRE A CUSTOM SOLUTION.**  
CONTACT PREMIER INDUSTRIES TO REQUEST A MODIFICATION  
OR A CUSTOM DESIGN.



## SPECIFICATIONS

- **MAX INLET PRESSURE:**
  - 15000 PSIG (1034.21 bar)
- **MAX OUTLET PRESSURE:**
  - 15000 PSIG (1034.21 bar)
- **MAX DOME LOAD:**
  - 15000 PSIG (1034.21 bar)
- **FLOW (Cv):** 0.06, 0.12, 0.20
- **VENT VALVE (Cv):** 0.06
- **OPERATING TEMPERATURE:**
  - -15°F/-26°C to 165°F/74°C (BUNA-N)
  - -4°F/-20°C to 165°F/74°C (VITON®)
  - -65°F/-54°C to 165°F/74°C (EPDM)

## MATERIALS OF CONSTRUCTION

- **BODY:** 316 Stainless Steel
- **MAIN VALVE SEAT:**
  - Vespel® SP-1 or Vespel® SCP-5000
- **VENT VALVE SEAT:**
  - Vespel® SP-1 or Vespel® SCP-5000
- **MAIN VALVE / VENT VALVE STEM:**
  - 17-4 Stainless Steel (hardened)
- **O-RING MATERIAL:**
  - BUNA-N
  - AFLAS®
  - Viton®
  - EPDM
  - Kalrez® (*Contact factory for pricing*)
- **BACK-UP RINGS:** PCTFE
- **WETTED PARTS, OTHER:**
  - 316 Stainless Steel,
  - 17-4 Stainless Steel

## PORTING

- **INLET PORTING:**
  - 1/4", 3/8", 1/2" FNPT
  - 1/4", 3/8", 9/16" MEDIUM PRESSURE
  - 1/4", 3/8", HIGH PRESSURE
- **GAUGE PORT:** 1/4" FNPT

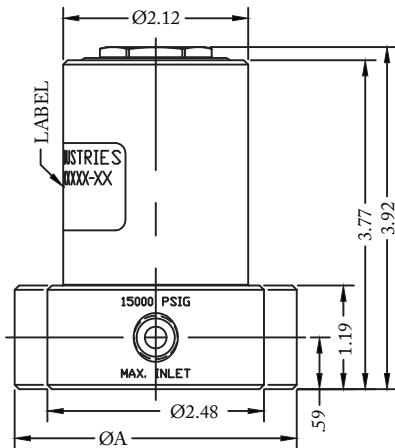
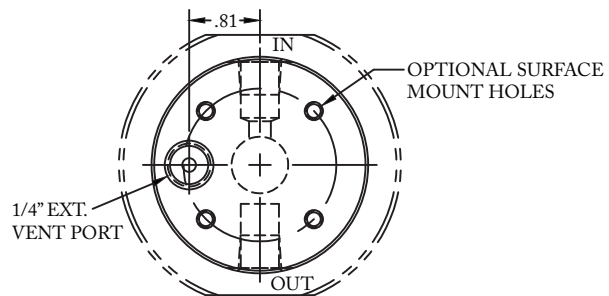
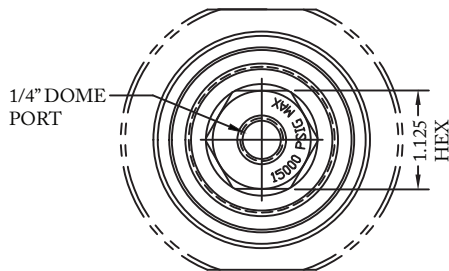
## OPTIONS

- Private label
- Panel mounting bracket (P/N: 30-10059)
- Surface mount
- Port type uniform

Vespel® Kalrez® & Viton-A® are registered trademarks of  
E.I. duPont de Nemours and Company  
AFLAS® is a registered trademark of the Asahi Glass Co., Ltd.

Contact factory for material certifications. Fees may apply.

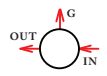
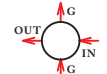
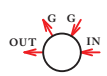

**PART NUMBER: 30-10229DLG**



PORT TYPE	ØA	FLATS
NPT	Ø2.48	—
1/4" M.P. & H.P.	Ø2.48	2.36
3/8" M.P. & H.P.	Ø2.98	2.81
9/16" M.P.	Ø3.23	2.98

3/8" & larger "L" configuration bodies require a larger ØA

SERIES	-	1	2	3	4	5	-	7 8	-	MODS
30-10229DLG	-						-		-	

1	MAX OUTLET PRESSURE
8	15000 PSIG
2	Cv : MAIN VALVE/ VALVE SEAT MATERIAL
0	Cv 0.06 / Vespel® SP-1
1	Cv 0.12 / Vespel® SP-1
2	Cv 0.20 / Vespel® SCP-5000
3	PORTING CONFIG.
A	
L	
C	
S	
<i>Optional gauge ports: 1/4" FNPT (standard) Dome port: 1/4" IN/OUT/VENT type</i>	

4	PORT SIZE
4	1/4"
6	3/8"
8	1/2"*
9	9/16"***
<i>*1/2" not available in M.P. &amp; H.P. **9/16" only available in M.P.</i>	
5	PORT TYPE (IN, OUT, VENT, DOME)
1	FNPT
4	Medium Pressure
5	High Pressure

6 7	O-RINGS
00	BUNA-N
01	AFLAS®
02	VITON®
05	EPDM
11	KALREZ® <i>(Contact factory for pricing)</i>
MODIFICATIONS	
Blank	None
PTU	PORT TYPE UNIFORM
SM	SURFACE MOUNT

### 15000 PSIG MAX INLET

*The end user is responsible to ensure adequate fittings are used to connect regulator to plumbing.*

*Vespel® Kalrez® & Viton® are registered trademarks of E.I. duPont de Nemours and Company  
AFLAS® is a registered trademark of the Asahi Glass Co., Ltd*

*Contact factory for material certifications. Fees may apply.*

## 3025 SERIES

High Pressure, 20000 PSIG MAX  
Pressure Reducing Regulators



Premier 3025 Series high pressure, pressure reducing regulators are single stage, pneumatic, piston sensed pressure reducing regulators. 3025 Series regulators are rated for inlet and outlet pressures up to 20000 PSIG (*1378.95 bar*), and Cv 0.04. The 3025 series regulator features a low torque, ball-bearing hand knob, and optional mounting styles to ensure a smooth integration into your high pressure application. Captured venting standard.

### FEATURES

- Rated for pressures up to 20000 PSIG (*1378.95 bar*)
- Flow capacity (Cv): 0.04
- Captured venting
- Low torque, ball-bearing hand knob
- Optional tamper resistant acorn nut
- Optional panel mounting bracket style body or threaded body with panel mounting nuts
- Very competitive pricing
- Machined bar stock body, bonnet and piston eliminates porosity found in castings

**SOME APPLICATIONS WILL REQUIRE A CUSTOM SOLUTION.**  
CONTACT PREMIER INDUSTRIES TO REQUEST A MODIFICATION  
OR A CUSTOM DESIGN.

## SPECIFICATIONS

- **MAXIMUM INLET PRESSURE:**
  - 20000 PSIG (1378.95 bar)
- **CONTROL PRESSURE RANGE:**
  - 125-500 PSIG (8.62 - 34.47 bar)
  - 125-1500 PSIG (8.62 - 103.42 bar)
  - 300-3000 PSIG (20.68 - 206.84 bar)
  - 600-6000 PSIG (41.37 - 413.69 bar)
  - 950-10000 PSIG (65.50 - 689.48 bar)
  - 1450-15000 PSIG (99.97 - 1034.21 bar)
  - 2000-20000 PSIG (137.90 - 1378.95 bar)
- **FLOW (Cv):** 0.04
- **OPERATING TEMPERATURE:**
  - -15°F/-26°C to 165°F/74°C (BUNA-N)
  - -4°F/-20°C to 165°F/74°C (VITON®)
  - -65°F/-54°C to 165°F/74°C (EPDM)

*\*\*lower temperature compounds available upon request*

## MATERIALS OF CONSTRUCTION

- **BODY:** 17-4 Stainless Steel
- **BONNET:** 17-4 Stainless Steel
- **WETTED PARTS, OTHER:**
  - 316 Stainless Steel
  - 17-4 Stainless Steel
- **O-RING OPTIONS:**
  - Buna-N
  - Aflas®
  - Viton®
  - EPDM
  - Kalrez® (*Contact factory for pricing*)
- **BACK-UP RINGS:** PCTFE & PEEK
- **VALVES:** 17-4 Stainless Steel, Hardened
- **VALVE SEAT:** Vespel®

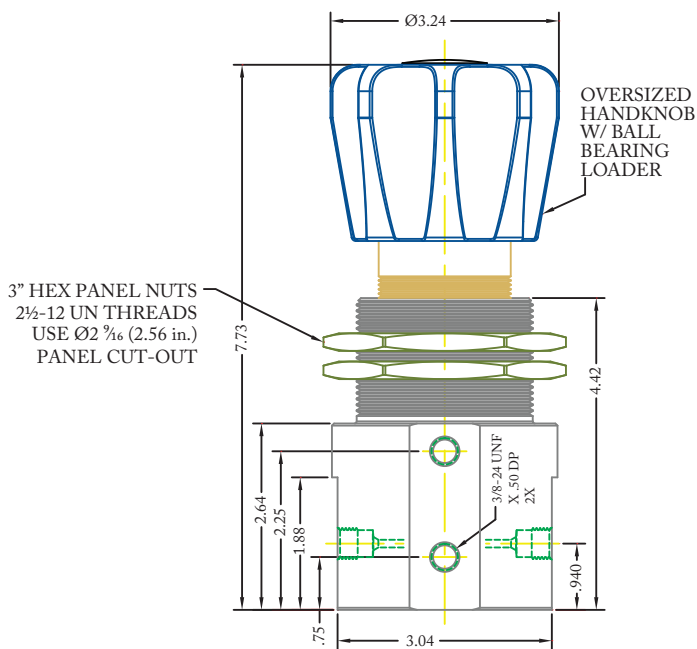
## PORTING

- **INLET PORTING OPTIONS:**
  - 1/4" Medium pressure, High Pressure
  - 3/8" Medium pressure, High Pressure
- **OUTLET PORTING OPTIONS:**
  - 1/4" Medium pressure, High Pressure
  - 3/8" Medium pressure, High Pressure
- **VENT PORT:**
  - 1/4" inlet/outlet type

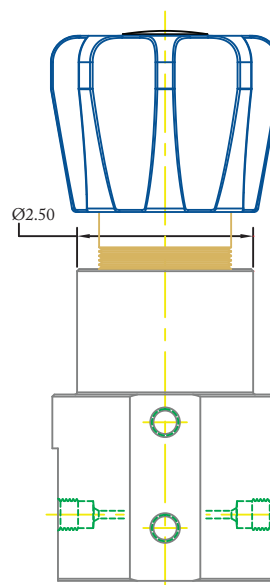
*Kalrez® Vespel® & Viton® are registered trademarks of E.I. duPont de Nemours and Company  
AFLAS® is a registered trademark of the Asahi Glass Co., Ltd.*

PART NUMBER: 30-10215G

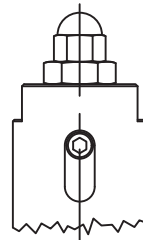
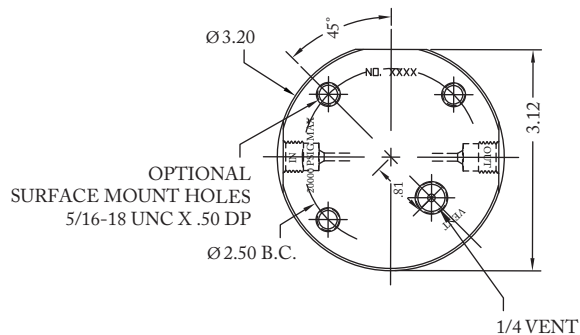
### PANEL NUT STYLE BODY



### MOUNTING BRACKET STYLE BODY



### TAMPER RESISTANT ACORN NUT (Optional)

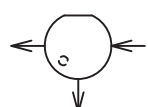
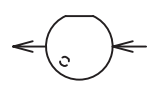


# 3025 SERIES

High Pressure, 20000 PSIG MAX  
Pressure Reducing Regulators

PART #	1	2	-	3	4	5	6	7	-	8	9	-	MODS
30-10215G			-						-			-	

1 2	BODY STYLE
MB	Mounting bracket style body
PN	Panel nut style body <i>(panel nuts included)</i>
3	OUTLET PRESSURE
0	125 - 500 psig <i>(8.62 - 34.47 bar)</i>
2	125 - 1500 psig <i>(8.62 - 103.42 bar)</i>
3	300 - 3000 psig <i>(20.68 - 206.84 bar)</i>
6	600 - 6000 psig <i>(41.37 - 413.69 bar)</i>
7	950 - 10000 psig <i>(65.50 - 689.48 bar)</i>
8	1450 - 15000 psig <i>(99.97 - 1034.21 bar)</i>
9	2000 - 20000 psig <i>(137.90 - 1378.95 bar)</i>
4	FLOW (Cv)
0	Cv: 0.04

5	PORTING CONFIGURATION
B	
S	
6	PORT SIZE
4	1/4"
6	3/8"
<i>Vent port: 1/4" inlet/outlet port type</i>	
7	PORT TYPE (IN/OUT/VENT)
4	Medium pressure
5	High pressure

8 9	O-RING MATERIAL
00	BUNA-N
01	AFLAS®
02	VITON®
05	EPDM
11	KALREZ® <i>(Contact factory for pricing)</i>
MODIFICATIONS	
Blank	None
ANT	Acorn Nut
BA	Bronze spring actuator
SM	Surface mount

**20000 PSIG MAX INLET (stainless steel)**

*The end user is responsible to ensure adequate fittings are used to connect regulator to plumbing*

*Kalrez® & Viton® are registered trademarks of E.I.duPont de Nemours and Company*

*AFLAS® is a registered trademark of the Asahi Glass Co., Ltd.*

*Contact factory for material certifications. Fees may apply.*

# 3025AL SERIES

Air Loaded, High Pressure, 20000 PSIG MAX  
Pressure Reducing Regulators



Premier 3025AL Series air loaded, pneumatic, high pressure, pressure reducing regulators are piston sensed, single stage, pressure reducing regulators rated for inlet and outlet pressures up to 20000 PSIG (*1378.95 bar*), and Cv 0.043. Captured venting standard.

## FEATURES

- Rated for pressures up to 20000 PSIG (*1378.95 bar*)
- Compatible with electro pneumatic controllers
- Flow capacity (Cv): 0.043
- Captured venting
- Very competitive pricing
- Machined bar stock body, bonnet and piston eliminates porosity found in castings

**SOME APPLICATIONS WILL REQUIRE A CUSTOM SOLUTION.**  
CONTACT PREMIER INDUSTRIES TO REQUEST A MODIFICATION  
OR A CUSTOM DESIGN.



## SPECIFICATIONS

- **MAXIMUM INLET PRESSURE:**
  - 20000 PSIG (1378.95 bar)
- **MAXIMUM LOAD PRESSURE:**
  - 100 PSIG (6.89 bar)
- **CONTROL PRESSURE RANGE:**
  - 300-3000 PSIG (20.68 - 206.84 bar)  
Diameter: 0.656"  
Area: 0.338 in<sup>2</sup>  
Ratio:  $^{37}/_1$  \*\*
  - 600-6000 PSIG (41.37 - 413.69 bar)  
Diameter: 0.462"  
Area: 0.1676 in<sup>2</sup>  
Ratio:  $^{75}/_1$  \*\*
  - 950-10000 PSIG (65.50 - 689.48 bar)  
Diameter: 0.362"  
Area: 0.1029 in<sup>2</sup>  
Ratio:  $^{122}/_1$  \*\*
  - 1450-15000 PSIG (99.97 - 1034.21 bar)  
Diameter: 0.313"  
Area: 0.0769 in<sup>2</sup>  
Ratio:  $^{163}/_1$  \*\*
  - 2000-20000 PSIG (137.90 - 1378.95 bar)  
Diameter: 0.25"  
Area: 0.0491 in<sup>2</sup>  
Ratio:  $^{256}/_1$  \*\*

\*\* 4.0" diameter diaphragm  
Diaphragm area: 12.5664 in<sup>2</sup>

- **FLOW (Cv):** 0.043
- **VENT VALVE (Cv):** 0.043

## MATERIALS OF CONSTRUCTION

- **WETTED PARTS:**
  - 316 Stainless Steel, 17-4 Stainless Steel
- **VALVES:**
  - 17-4 Stainless Steel, Hardened
- **HOUSING, AIR ACTUATOR:**
  - 6061-T6 Aluminum, Clear Anodized
- **DIAPHRAGM, AIR ACTUATOR:**
  - Neoprene, Nylon Fabric Reinforced
- **O-RINGS:**
  - BUNA-N
  - Aflas®
  - Viton®
  - EPDM
  - KALREZ® (Contact factory for pricing)
- **BACK-UP RINGS:** PCTFE
- **MAIN & VENT VALVE SEATS:** Vespel®

## PORTING

- **INLET/ OUTLET/VENT PORTING:**
  - 1/4" Medium pressure, High Pressure
  - 3/8" Medium pressure, High Pressure
- **LOAD PORT:**
  - 1/4" FNPT (100 psig max)  
*see pg 3 for additional load port options*
- **VENT PORT:**
  - 1/4" inlet/outlet port type

## OPTIONAL ITEMS

- Gauge
- Panel mounting bracket: P/N: 30-10500 (2.53 in panel hole)
- Private label

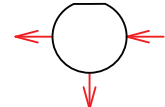
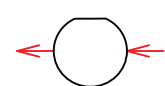
Kalrez®, Vespel®, & Viton® are registered trademarks of  
E.I. duPont de Nemours and Company



# 3025AL SERIES

Air Loaded, High Pressure, 20000 PSIG MAX  
Pressure Reducing Regulators

PART #	-	1	2	3	4	-	5 6	-	MODS
30-10215ALG	-					-		-	

1	OUTLET PRESSURE
3	300 - 3000 psig (20.68 - 206.84 bar)
6	600 - 6000 psig (41.37 - 413.69 bar)
7	950 - 10000 psig (65.50 - 689.48 bar)
8	1450 - 15000 psig (99.97 - 1034.21 bar)
9	2000 - 20000 psig (137.90 - 1378.95 bar)
2	PORTING CONFIG.
B	
S	

3	PORT SIZE (IN/OUT)
4	1/4"
6	3/8"
<i>VENT PORT: 1/4" inlet/outlet port type</i> <i>LOAD PORT: 1/4" FNPT standard, see mods for additional load port options.</i>	
4	PORT TYPE (IN/OUT/VENT)
4	Medium pressure
5	High pressure
5 6	O-RINGS
00	BUNA-N
01	AFLAS®
02	VITON®
05	EPDM
11	KALREZ® <i>(Contact factory for pricing)</i>

MODIFICATIONS	
BLANK	NONE
AS	1/4 AS5202 LOADER PORT
E	1/8 NPT LOADER PORT
J	1/4 SAE J1926 LOADER PORT
SM	SURFACE MOUNT

**20000 PSIG MAX INLET**  
*(stainless steel)*

*The end user is responsible to ensure adequate fittings are used to connect regulator to plumbing.*

*Kalrez® & Viton® are registered trademarks of E.I. duPont de Nemours and Company*

*Aflas® is a registered trademark of the Asahi Glass Co., Ltd.*

*Contact factory for material certifications. Fees may apply.*

# 3025HPL SERIES

High Pressure Loader, Piston Sensed  
Pressure Reducing Regulators



Premier 3025HPL Series regulators are high pressure loaded, piston sensed, single stage, pressure reducing regulators, rated for inlet pressures up to 20000 psig (1378.95 bar), loading pressure up to 1500 psig (103.42 bar) and Cv 0.04 (in full open condition). Available with outlet:loader ratios of 5:1, and 13:1. Captured venting standard. With over 4 times the sensing area of the 3025 Series regulator, the 3025HPL Series allows precise control in applications where high pressure loading supplies are available.

## FEATURES

- Rated for inlet pressures up to 20000 PSIG (1378.95 bar)
- Max loading pressure: 1500 psig (103.42 bar)
- Load ratios: 5:1, 13:1 (outlet:loader ratio)
- Flow capacity (Cv): 0.04 (in full open condition)
- Captured venting
- Machined bar stock body, bonnet and piston eliminates porosity found in castings

**SOME APPLICATIONS WILL REQUIRE A CUSTOM SOLUTION.**  
CONTACT PREMIER INDUSTRIES TO REQUEST A MODIFICATION  
OR A CUSTOM DESIGN.

# 3025HPL SERIES

High Pressure Loader, Piston Sensed  
Pressure Reducing Regulators

P/N: 30-10614

## SPECIFICATIONS

- **MAXIMUM INLET PRESSURE:**
  - 20000 PSIG (1378.95 bar)
- **MAXIMUM LOADING PRESSURE:**
  - 1500 PSIG (103.42 bar)
- **OUTLET:LOADER RATIO:**
  - 5:1 (~6000:1200 PSI, ~7500:1500 PSIG)
  - 13:1 (~15000:1200 PSI, ~19000:1500 PSIG)
- **FLOW (Cv):** 0.04 (in full open condition)
- **VENT VALVE (Cv):** 0.04 (in full open condition)
- **TEMPERATURE RATING (BY O-RING MATERIAL):**
  - -15°F/-26°C to 165°F/74°C (BUNA-N)
  - -4°F/-20°C to 165°F/74°C (VITON®)
  - -65°F/-54°C to 165°F/74°C (EPDM)

*\*\*lower temperature compounds available upon request*

## MATERIALS OF CONSTRUCTION

### PROCESS WETTED MATERIALS:

- **BODY AND SENSOR COMPONENTS:**
  - 17-4 Stainless Steel
- **MAIN VALVE:**
  - 316 Stainless Steel and 17-4 Stainless Steel
- **MAIN VALVE/VENT SEAT:**
  - Vespel® (standard)
  - 316 stainless steel
- **O-RINGS:**
  - BUNA-N
  - Viton-A®
  - EPDM

### LOADER WETTED MATERIALS:

- **CAP AND LOADER COMPONENTS (WETTED):**
  - 17-4 Stainless Steel

### NON-WETTED MATERIALS:

- **COUPLER:**
  - 17-4 Stainless Steel
- **BEARING BALL AND LOAD BEARING DISC:** High strength tool steel
- **WAVE SPRING:** 17-4 Stainless steel

## PORTING

- **PROCESS PORTS**
  - 1/4" Medium pressure
- **LOAD/VENT PORTS**
  - AS5202 SIZE-04

## OPTIONAL ITEMS

- Gauge
- Private label

P/N: 30-10670 (EXTREME COMPATIBILITY)

## SPECIFICATIONS

- **MAXIMUM INLET PRESSURE:**
  - 20000 PSIG (1378.95 bar)
- **MAXIMUM LOADING PRESSURE:**
  - 1500 PSIG (103.42 bar)
- **OUTLET:LOADER RATIO:**
  - 5:1 (~6000:1200 PSI, ~7500:1500 PSIG)
- **FLOW (Cv):** 0.04 (in full open condition)
- **VENT VALVE (Cv):** 0.04 (in full open condition)

## MATERIALS OF CONSTRUCTION

### PROCESS WETTED MATERIALS:

- **BODY AND SENSOR COMPONENTS:**
  - 17-4 Stainless Steel/Passivated
- **MAIN VALVE:**
  - 316 Stainless Steel/passivated and 17-4 Stainless Steel/passivated
- **MAIN VALVE/VENT SEAT:**
  - 316 stainless steel/Passivated
- **SEALS:**
  - TFM and Hastelloy® C-276
- **BACKUP RING:** PFA

### VENT SIDE WETTED MATERIALS:

- **COMPONENTS (WETTED):**
  - 17-4 Stainless Steel
- **SEALS:**
  - TFM and Hastelloy® C-276, Kalrez® (static seal)

### LOADER SIDE WETTED MATERIALS:

- **COMPONENTS (WETTED):** 17-4 Stainless Steel
- **SEALS:**
  - Kalrez®
- **WEAR RINGS:**
  - 23% Carbon, 2% graphite-filled PTFE

### NON-WETTED MATERIALS:

- **COMPONENTS:**
  - 17-7 Stainless Steel, 440C stainless steel, 17-4 stainless steel

### LUBRICATION (WETTED AND NON-WETTED REGIONS): Krytox 240AC

## PORTING

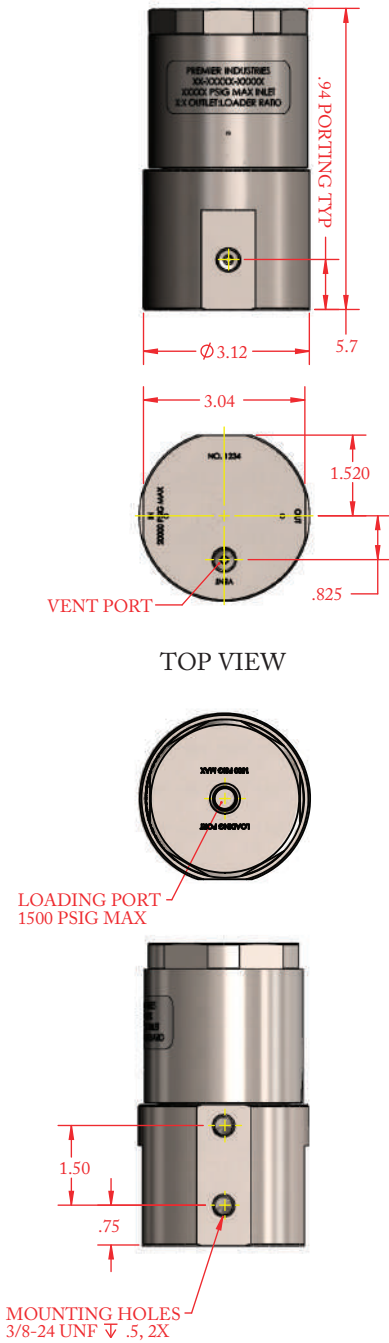
- **PROCESS PORTS**
  - 1/4" Medium pressure
- **LOAD/VENT PORTS**
  - AS5202 SIZE-04

## OPTIONAL ITEMS

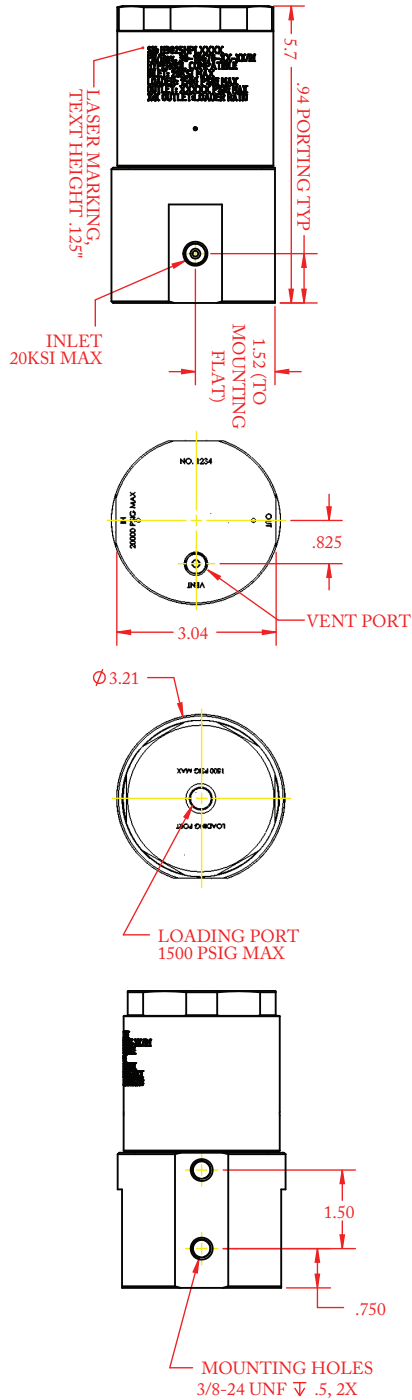
- Gauge
- Private label

*Kalrez®, Vespel®, & Viton-A® are registered trademarks of E.I. du Pont de Nemours and Company. HASTELLOY® is a registered trade name of Haynes International, Inc.*

**PART NUMBER: 30-10614**



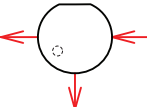
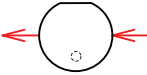
**PART NUMBER: 30-10670**



# 3025HPL SERIES

High Pressure Loader, Piston Sensed  
Pressure Reducing Regulators

PART #	-	1	2	-	3	4	-	5	6	-	MODS
30-10614	-			-			-			-	

1	OUTLET:LOADER RATIO
1	5:1 (~6000:1200 PSI, ~7500:1500 PSIG)
2	13:1 (~15000:1200 PSI, ~19000:1500 PSIG)
2	PORTING CONFIGURATION
B	
S	
3	PROCESS PORTS
1	Medium pressure, 1/4"
4	LOAD/VENT PORTS
1	AS5202 SIZE-04 / AS5202 SIZE-04

5	O-RING MATERIAL
1	Buna-n
2	Viton-A®
3	EPDM
6	PROCESS WETTED LUBRICANT
1	KRYTOX GPL206
2	KRYTOX 240AC
3	KRYTOX 240AZ
MODIFICATIONS	
BLANK	NONE
1	316 stainless steel vent seat
2	316 stainless steel main valve seat

**20000 PSIG MAX INLET**

*The end user is responsible to ensure properly rated equipment, plumbing, and fittings are used*

*Viton® is a registered trademark of E.I.duPont de Nemours and Company*

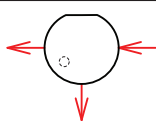
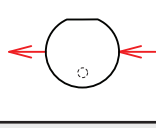
*Contact factory for material certifications. Fees may apply.*

# 3025HPL SERIES

High Pressure Loader, Piston Sensed  
Pressure Reducing Regulators

PART #	-	1	2	-	3	4
30-10670	-			-		

**EXTREME COMPATIBILITY**

<b>1</b>	<b>OUTLET:LOADER RATIO</b>
1	5:1 (~6000:1200 PSI, ~7500:1500 PSIG)
<b>2</b>	<b>PORTING CONFIGURATION</b>
B	
S	
<b>3</b>	<b>PROCESS PORTS</b>
1	Medium pressure, 1/4"
<b>4</b>	<b>LOAD/VENT PORTS</b>
1	AS5202 SIZE-04

**20000 PSIG MAX INLET**

*The end user is responsible to ensure properly rated equipment, plumbing, and fittings are used*

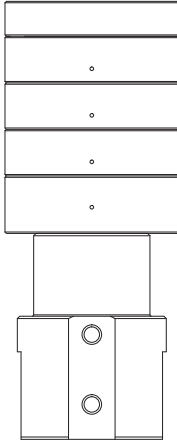
*Viton® is a registered trademark of E.I.duPont de Nemours and Company*

*Contact factory for material certifications. Fees may apply.*



# 3025SL SERIES

High Pressure, Stacked Air Load, 20000 PSIG MAX  
Pressure Reducing Regulators



Premier 3025SL Series regulators are piston sensed, pressure reducing regulators rated for inlet and outlet pressures up to 20000 PSIG (*1378.95 bar*) and Cv 0.043. Premier 3025SL Series regulators feature a four-tier air loader for compatibility with electropneumatic controllers, enabling piloted pressure control from an inert gas at low pressures (110 psig / 7.5 bar max air load). 3025SL Series regulators are available with a wide range of outlet and inlet configurations. Captured venting is standard.

## FEATURES

- Rated for pressures up to 20000 PSIG (*1378.95 bar*)
- Compatible with electro pneumatic controllers
- Flow capacity (Cv): 0.043
- Captured venting
- Very competitive pricing
- Machined bar stock body, bonnet and piston eliminates porosity found in castings

**SOME APPLICATIONS WILL REQUIRE A CUSTOM SOLUTION.**  
CONTACT PREMIER INDUSTRIES TO REQUEST A MODIFICATION  
OR A CUSTOM DESIGN.

## SPECIFICATIONS

- **MAX INLET PRESSURE:**
  - REGULATOR: 20000 PSIG (1378.95 bar)
  - AIR ACTUATOR: 110 PSIG (7.5 bar)
- **OUTLET PRESSURE RANGES:**
  - 50-6000 PSIG (3.5 - 413.7 bar)
  - 300-15000 PSIG (58.6 - 1034.2 bar)
  - 500-20000 PSIG (96.5 - 1379 bar)
- **FLOW (Cv):** 0.043
- **VENT VALVE Cv:** 0.043
- **OPERATING TEMPERATURE:**
  - -15°F/-26°C to 212°F/100°C (BUNA-N)
  - -4°F/-20°C to 212°F/100°C (VITON®)
  - -65°F/-54°C to 212°F/100°C (EPDM)

## MATERIALS OF CONSTRUCTION

- **WETTED PARTS:**
  - 316 Stainless Steel
  - 17-4 Stainless Steel
- **VALVES:**
  - 17-4 Stainless Steel, Hardened
- **HOUSING, AIR LOADER:**
  - 6061-T6 Aluminum, Clear Anodize
- **O-RING OPTIONS:**
  - Buna-N
  - Viton®
  - EPDM
- **BACK-UP RINGS:** PCTFE
- **MAIN VALVE SEAT**
  - Vespel SCP-5000®
- **VENT VALVE SEAT:**
  - Vespel SCP-5000® (standard)
  - 316 Stainless Steel (Cv 0.06)

## PORTING

- **INLET/OUTLET PORT OPTIONS:**
  - 1/4", 3/8" Medium Pressure
  - 1/4", 3/8" High Pressure
- **VENT PORT:** 1/4" inlet/outlet port type
- **GAUGE PORTS:** 1/4" inlet/outlet port type
- **LOAD PORT:**
  - 1/4" FNPT (standard)
  - 1/4" SAE AS5202
  - 1/4" SAE J1926
  - 1/8" NPT

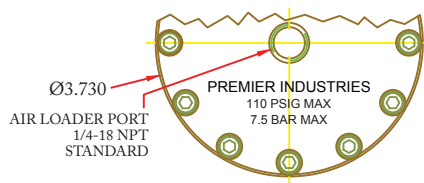
## OPTIONS

- Surface mount
- Private label
- 316 Stainless Steel vent seat (Cv 0.06)

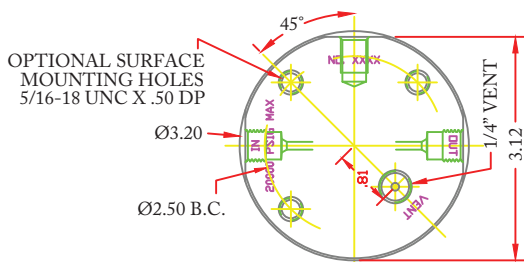
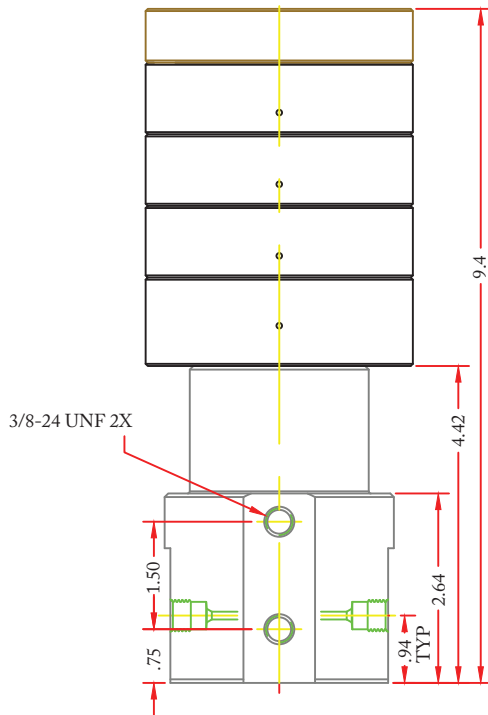
Vespel® & Viton® are registered trademarks of E.I. duPont de Nemours and Company

Contact factory for material certifications. Fees may apply.

**PART NUMBER: 30-10862SL**




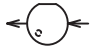
4 TIER AIRLOADER TO SENSOR RATIOS			
		AREA	RATIO-
OUTLET	AIRLOADER X 4	23.1692 IN <sup>2</sup>	CALCULATED
20000 PSIG	SENSOR Ø.364	0.1041 IN <sup>2</sup>	222/1
15000 PSIG	SENSOR Ø.464	0.1691 IN <sup>2</sup>	137/1
6000 PSIG	SENSOR Ø.654	0.3359 IN <sup>2</sup>	69/1



# 3025SL SERIES

High Pressure, Stacked Air Load, 20000 PSIG MAX  
Pressure Reducing Regulators

PART #	-	1	2	3	4	-	5	6	-	MODS
30-10862SL	-					-			-	

1	OUTLET PRESSURE
6	50-6000 PSIG (3.5 - 413.7 bar)
7	300-15000 PSIG (58.6 - 1034.2 bar)
8	500-20000 PSIG (96.5 - 1379 bar)
2	PORT CONFIGURATION
B	
S	
3	PORT SIZE
4	1/4"
6	3/8"

4	PORT TYPE (IN/OUT/VENT/GAUGE)
4	Medium Pressure
5	High Pressure
5 6	O-RING MATERIAL
00	BUNA-N
02	VITON-A®
05	EPDM

MODIFICATIONS	
<i>Separate multiple mods with a dash</i>	
BLANK	None
AS	1/4" SAE AS5202 LOADER PORT
E	1/8" NPT LOADER PORT
J	1/4" SAE J1926 LOADERPORT
SM	SURFACE MOUNT
HV	316 STAINLES STEEL VENT SEAT (Cv 0.06)
PU	PORTS UNIFORM (IN/OUT/ GAUGE THE SAME SIZE AND TYPE)

**20000 PSIG MAX INLET**  
*The end user is responsible to ensure  
adequate fittings are used to connect  
regulator to plumbing.*

*Viton® is a registered trademark of  
E.I.duPont de Nemours and Company*

*Contact factory for material certifications.  
Fees may apply.*

# 3400 SERIES

High Sensitivity, High Pressure  
Pressure Reducing Regulators



Premier 3400 Series high pressure, diaphragm sensed, pressure reducing regulators offer high sensitivity with precise outlet pressure control. These precision, diaphragm sensed, pressure reducing regulators are rated for inlet pressures up to 6000 psig (414 bar), outlet pressures up to 600 psig (41.4 bar) and Cv 0.08 or 0.20. The 3400 Series self-venting option enables the operator to vent downstream pressures through the regulator to reduce the pressure in a closed system. The self-venting feature can be rendered non-operational if a non-venting design is desired.

## FEATURES

- Great sensitivity
- Large elastomeric diaphragm
- Optional panel mounting bracket
- Self-venting and non-venting options
- 316 stainless steel filter extends the life of the seat
- Cv 0.08, 0.20
- Optional tamper resistant acorn nut

**SOME APPLICATIONS WILL REQUIRE A CUSTOM SOLUTION.**  
CONTACT PREMIER INDUSTRIES TO REQUEST A MODIFICATION  
OR A CUSTOM DESIGN.

## SPECIFICATIONS

- **MAXIMUM INLET PRESSURE:**
  - 6000 PSIG (414 bar)
- **CONTROL PRESSURE RANGE:**
  - 0-50 PSIG (0 - 3.4 bar)
  - 0-150 PSIG (0 - 10.3 bar)
  - 0-250 PSIG (0 - 17.2 bar)
  - 0-500 PSIG (0 - 34.5 bar)
  - 0-600 PSIG (0 - 41.4 bar)
- **FLOW (C<sub>v</sub>):** 0.20, 0.08
- **OPERATING TEMPERATURE:**
  - -40°F to 165°F / -40°C to 74°C

## MATERIALS OF CONSTRUCTION

- **BODY & BONNET OPTIONS:**
  - 316 Stainless Steel
  - 2024-T351 Aluminum
  - SAE 360 Brass
- **DIAPHRAGM OPTIONS:**
  - Buna-N
  - Neoprene
- **MAIN VALVE SEAT:**
  - PCTFE
- **VENT VALVE SEAT:**
  - PCTFE
- **O-RINGS:**
  - PTFE
- **FILTER:**
  - 15 micron, 316 Stainless Steel
- **REMAINING PARTS:**
  - 300 Series Stainless Steel

## PORTING

- **INLET & OUTLET OPTIONS:**
  - 1/4", 3/8", 1/2" FNPT
  - 1/4", 3/8", 1/2" SAE J1926, SAE AS5202\*

## OPTIONAL ITEMS

- Panel mounting bracket: P/N: 30-10059 (Ø2.15 panel hole)
- Gauges
- Self-venting or non-venting
- Tamper resistant acorn nut
- Private labeling

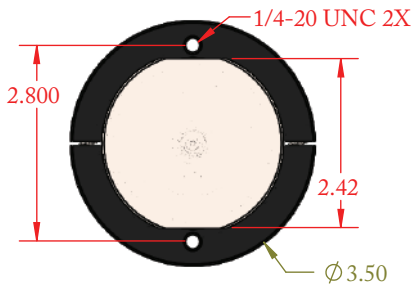
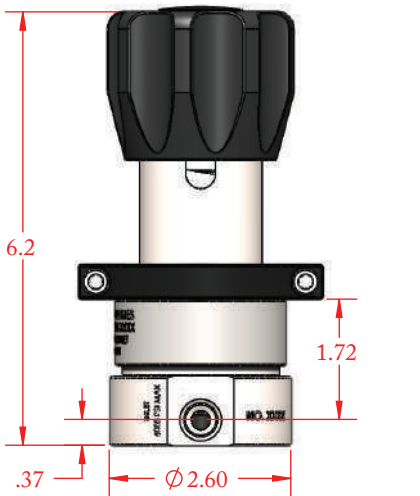
*\*SAE AS5202 supersedes MS33649*

*Contact factory for material certifications. Fees may apply*

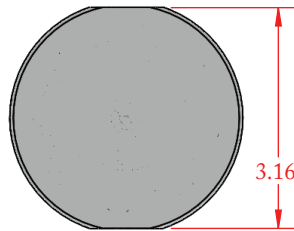
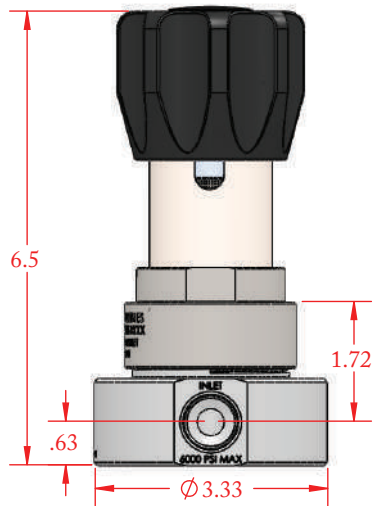
# 3400 SERIES

High Sensitivity, High Pressure  
Pressure Reducing Regulators

PART NUMBER: 30-10435



1/4" PORTS W/  
OPTIONAL MOUNTING  
BRACKET



1/2" PORTS

# 3400 SERIES

High Sensitivity, High Pressure  
Pressure Reducing Regulators

PART #	-	1	2	3	4	-	5	6	7	8	-	MODS
30-10435	-					-					-	

1	PORTING
1	1/4" NPT
2	3/8" NPT
3	1/2" NPT
4	1/4" SAE J1926
5	3/8" SAE J1926
6	1/4" SAE AS5202*
7	3/8" SAE AS5202*
8	1/2" SAE J1926
9	1/2" SAE AS5202*
2	Cv RATING
0	0.06
1	0.20
3	VENTING
1	Self venting
2	Non venting

4	BODY/BONNET/ RETAINER MATERIALS
1	SAE 360 Brass
2	316 Stainless Steel
3	2024-T351 Aluminum
5	FILTER
1	15 micron
6	DIAPHRAGM MATERIAL
1	Buna-N
2	Neoprene
7	OUTLET PRESSURE
0	600 psig (41.4 bar)
1	500 psig (34.5 bar)
2	250 psig (17.2 bar)
3	150 psig (10.3 bar)
4	50 psig (3.4 bar)

8	MOUNTING BRACKET
1	No bracket
2	Aluminum mounting bracket
3	Stainless steel mounting bracket
MODIFICATIONS	
A	Acorn nut
E	Laser engrave label (N/A for brass)

*\*SAE AS5202 supersedes MS33649*

**6000 PSIG MAX INLET**

*The end user is responsible to ensure adequate fittings are used to connect regulator to plumbing.*

*Contact factory for material certifications. Fees may apply.*



## 3500 SERIES

Miniature, Pneumatic, High Pressure  
Pressure Reducing Regulators



Premier 3500 Series pressure reducing regulators are your affordable and compact solution for high pressure pneumatic applications. These rugged, piston sensed regulators are rated for 6000 PSIG (*413.69 bar*) with a wide range of field adjustable delivery pressure ranges, up to 6000 PSIG (*413.69 bar*) and Cv: 0.06 or 0.2. With a variety of construction material options, porting configurations, hand-knob styles, and mounting options, you can be confident the Premier 3500 Series pressure reducing regulator will integrate seamlessly into your pneumatic application.

### FEATURES

- Piston sensed
- Main valve cartridge with 15 micron, 316 stainless steel filter
- 3 knob styles, basic, fluted, and tee handle
- Machined bar stock body and piston eliminates porosity found in castings
- Rear mounting holes and threaded bonnet standard, optional panel mounting nuts available
- Two, three, or four ¼" NPTF ports standard
- Non-venting
- Field adjustable outlet pressure ranges
- Minimal soft goods
- Compact & economically priced
- Optional tamper proof acorn nut.

**SOME APPLICATIONS WILL REQUIRE A CUSTOM SOLUTION.**  
CONTACT PREMIER INDUSTRIES TO REQUEST A MODIFICATION  
OR A CUSTOM DESIGN.

## SPECIFICATIONS

- **MAXIMUM INLET PRESSURE:**
  - 6000 PSIG (413.69 bar)
- **CONTROL PRESSURE RANGES:**
  - 0-25 PSIG (0 - 1.72 bar)
  - 0-80 PSIG (0 - 5.52 bar)
  - 0-140 PSIG (0 - 9.65 bar)
  - 0-220 PSIG (0 - 15.17 bar)
  - 5-700 PSIG (0.34 - 48.26 bar)
  - 5-1200 PSIG (0.34 - 82.73 bar)
  - 5-1800 PSIG (0.34 - 124.12 bar)
  - 5-2500 PSIG (0.34 - 172.37 bar)
  - 10-6000 PSIG (0.69 - 413.69 bar)
- **Cv:** 0.06 or 0.2
- **DESIGN PROOF PRESSURE:**
  - 150% maximum rated

## MATERIALS OF CONSTRUCTION

- **BODY:**
  - 6061-T6 Aluminum, Clear Anodized
  - 303 Stainless Steel
  - 316 Stainless Steel
  - SAE 360 Brass/Nickel Plated\*  
*\*contact factory for pricing*
  - Monel®
- **WETTED PARTS:**
  - 316 Stainless Steel  
*(with 316 stainless steel body option)*
  - Monel® *(with Monel® body option)*
  - 300 Series Stainless Steel /  
17-4 Stainless Steel *(with all other body options)*
- **SEALS:**
  - Low-temperature nitrile *(standard)*
  - Nitrile
  - Viton®
  - EPDM
  - Neoprene
- **VALVE SEAT:**
  - PEEK® *(standard)*
  - PCTFE
  - Vespel®
- **MAIN VALVE FILTER:**
  - 15 micron sintered 316 stainless steel

## PORTING

- **STANDARD INLETS:** 1/4" FNPT
- **STANDARD OUTLETS:** 1/4" FNPT
- **PORT OPTIONS:**
  - Two, three, or four port versions available

## OPTIONS

- Gauges (plug): *stainless steel for both stainless body options, no gauges for monel option/monel plug chrome plated brass for all other options*
- Basic hand knob, fluted hand knob, tee handle, or acorn nut
- Panel mounting nuts  
*(threaded bonnet and mounting holes standard)*
- CGA fittings
- Private label
- Contact factory for custom materials of construction  
*(monel®, hastelloy® etc.)*

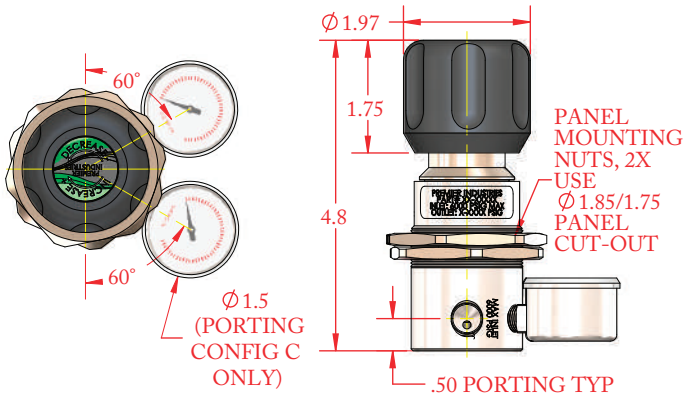
PEEK is a registered trademark of Victrex PLC. Hastelloy is a registered trademark of Haynes International, Inc.

Vespel and Viton are registered trademarks of E.I. duPont de Nemours and Company  
Monel is a registered trademark of Special Metals Corporation.

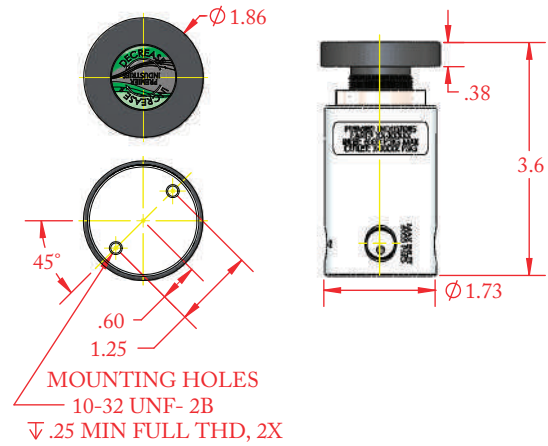
# 3500 SERIES

Miniature, Pneumatic, High Pressure  
Pressure Reducing Regulators

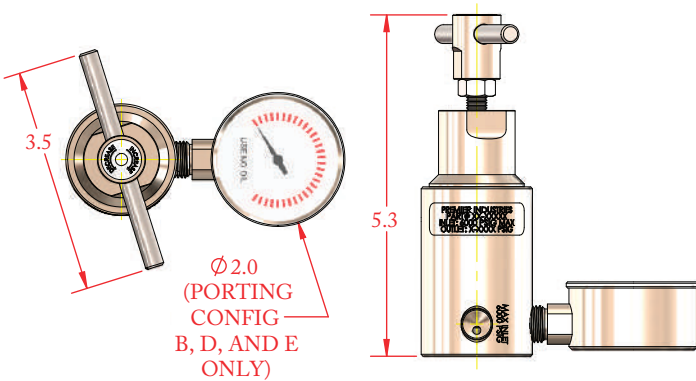
**PART NUMBER: 50-12282-2CXXXX222**  
*w/ fluted hand knob*





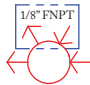


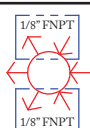

**PART NUMBER: 50-12282-1BXXXX110**  
*w/ basic hand knob shown above*



**PART NUMBER: 50-12282-4DXXXX312**  
*w/ T-handle shown above*



PART #	-	1	2	-	3	4	-	5	6	-	7	8	9	-	MODS
50-12282	-			-			-			-				-	

1	BODY MATERIAL & FINISH
1	6061-T6 Aluminum <i>Clear Anodized</i>
2	303 Stainless Steel <i>Clean per spec #515</i>
3	316 Stainless Steel <i>Clean per spec #515</i>
4	SAE 360 Brass ( <i>contact factory Nickel Plated for pricing</i> )
5	Monel 400®
2	PORTING CONFIGURATIONS
A	
B	
C*	
D	
E	
K	
L	

3	OUTLET PRESSURE
0	0-25 PSIG (0 - 1.72 bar)
1	0-80 PSIG (0 - 5.52 bar)
2	0-140 PSIG (0 - 9.65 bar)
3	0-220 PSIG (0 - 15.17 bar)
4	5-700 PSIG (0.34 - 48.26 bar)
5	5-1200 PSIG (0.34 - 82.73 bar)
6	5-1800 PSIG (0.34 - 124.12 bar)
7	5-2500 PSIG (0.34 - 172.37 bar)
8	10-6000 PSIG (0.69 - 413.69 bar)
4	MAIN VALVE (Cv)
1	0.06 max
2	0.20 max
5	O-RING SEAL MATERIAL
1	Nitrile
2	Low-temp nitrile
3	Viton®
4	EPDM
5	Neoprene

6	SEAT MATERIAL
1	PCTFE
2	PEEK®
3	Vespel®
7	HAND KNOB
1	Basic knob
2	Fluted knob
3	Tee handle
4	None <b>** locked / tamper resistant</b>
8	MOUNTING
1	Mounting holes (no mounting nuts)
2	Panel mounting nuts & mounting holes
9	GAUGES
0	None
2	Include gauges (port config. "A" not available with gauges)
MODIFICATIONS	
BLANK	None
L	Orient gauges for left side process inlet ( <b>K porting only</b> )

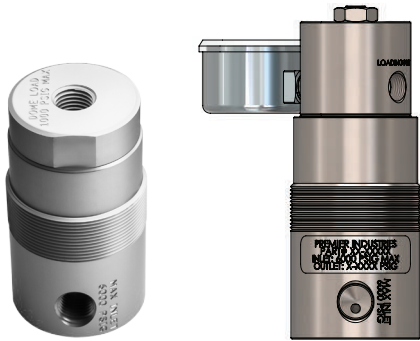
PEEK is a registered trademark of Victrex PLC. Vespel and Viton are registered trademarks of E.I. du Pont de Nemours & Company. Monel is a trademark of Specialty Metals Corporation

\* All ports are 1/4" FNPT unless otherwise indicated on the porting configurations. Contact factory for material certifications. Fees may apply.

**\*\*TAMPER RESISTANT ACORN NUT**  
THE END USER IS RESPONSIBLE TO SPECIFY A PRESET OUTLET PRESSURE. IF AN OUTLET PRESSURE IS NOT SPECIFIED, THE PRESSURE WILL BE LEFT UNSET. NEVER EXCEED THE MAXIMUM OUTLET PRESSURE SPECIFIED ON THE PART NUMBER.

# 3500AL SERIES

Air Loaded, High Pressure, Pneumatic  
Pressure Reducing Regulators



*Non-venting model  
with bias spring*

Premier 3500AL Series air loaded, pressure reducing regulators are your affordable and compact solution for high pressure, pneumatic applications. These rugged, piston sensed regulators are rated for 6000 PSIG (413.69 bar) and  $C_v$ : 0.06 or 0.2. With three available load ratios, 2:1, 3:1, and 4:1, and an optional bias spring, a vast range of outlet pressures can be controlled (*maximum outlet pressure of 3670 PSIG / 53.04 bar with a 4:1 ratio + bias spring*). Premier 3500AL regulators feature captured venting to safely pipe away expelled media. With a variety of construction material options, load ratios, porting configurations, and mounting options, you can be confident the Premier 3500AL Series air loaded, pressure reducing regulator will integrate seamlessly into your pneumatic application.

## FEATURES

- Compatible with electro-pneumatic controllers & manual pilot regulators
- 6000 PSIG / 413.69 bar max inlet
- Three load ratios: 2:1, 3:1, and 4:1 (Outlet:Loader)
- Captured venting standard
- Optional non-venting design with bias spring (*4X air load + 0-150 PSIG bias*)
- $C_v$  0.06 or 0.2
- Compact design
- Machined bar stock body and piston eliminates porosity found in castings
- Bottom mount (*standard*)
- Optional panel mounting
- Two or four port designs available

**SOME APPLICATIONS WILL REQUIRE A CUSTOM SOLUTION.**  
CONTACT PREMIER INDUSTRIES TO REQUEST A MODIFICATION  
OR A CUSTOM DESIGN.

# 3500AL SERIES

Air Loaded, High Pressure, Pneumatic  
Pressure Reducing Regulators

## SPECIFICATIONS

- **MAX INLET PRESSURE:**
    - 6000 PSIG (413.69 bar)
  - **MAX LOADING PRESSURE:**
    - 1000 PSIG (68.95 bar)
  - **OUTLET:LOADER PRESSURE RATIO:**
    - 2:1\*\*
    - 3:1\*\*
    - 4:1\*\*
    - 4:1 + 0-150 PSIG bias\*\*
- \*\* Approximately 2 psig additional dome load per 100 psi inlet pressure to maintain outlet/loader ratio on Cv 0.2 design. Approximately 1.5 psig additional dome load per 100 psi inlet pressure to maintain outlet/loader ratio on Cv 0.06 design.*
- **Cv:** 0.06 or 0.2
  - **LEAK RATE:** Bubble tight N<sub>2</sub>

## MATERIALS OF CONSTRUCTION

- **BODY & BONNET OPTIONS:**
  - 6061-T6 Aluminum, Clear Anodized (standard)
  - 303 Stainless Steel
  - 316 Stainless Steel
- **PISTON:**
  - 303 Stainless Steel
  - 316 Stainless Steel (316 Stainless Steel body option)
- **MAIN VALVE COMPONENTS:**
  - 300 Series Stainless Steel
- **MAIN VALVE SEAT:**
  - PEEK®
  - PCTFE
  - Vespel®
- **O-RING SEALS:**
  - Nitrile
  - Viton®
  - EPDM
  - Neoprene
- **PANEL MOUNTING NUTS (OPTIONAL):**
  - 6061-T6 Aluminum (nickel plated)

## PORTING

- **STANDARD INLETS:** 1/4" FNPT
- **STANDARD OUTLETS:** 1/4" FNPT
- **LOADING PORT:** 1/4" FNPT, (1/8-27 FNPT w/ bias)
- **VENT PORT:** 1/4" FNPT
- **GAUGE PORTS:** 1/8" FNPT

## OPTIONS

- Gauges
- Private label
- Panel mounting nuts (X2 required)  
(Order Separately: P/N 50-11803)
- Optional non-venting design with bias spring  
(4X air load + 0-150 PSIG bias)
- For custom materials of construction  
(monel®, hastelloy® etc.) please contact factory.

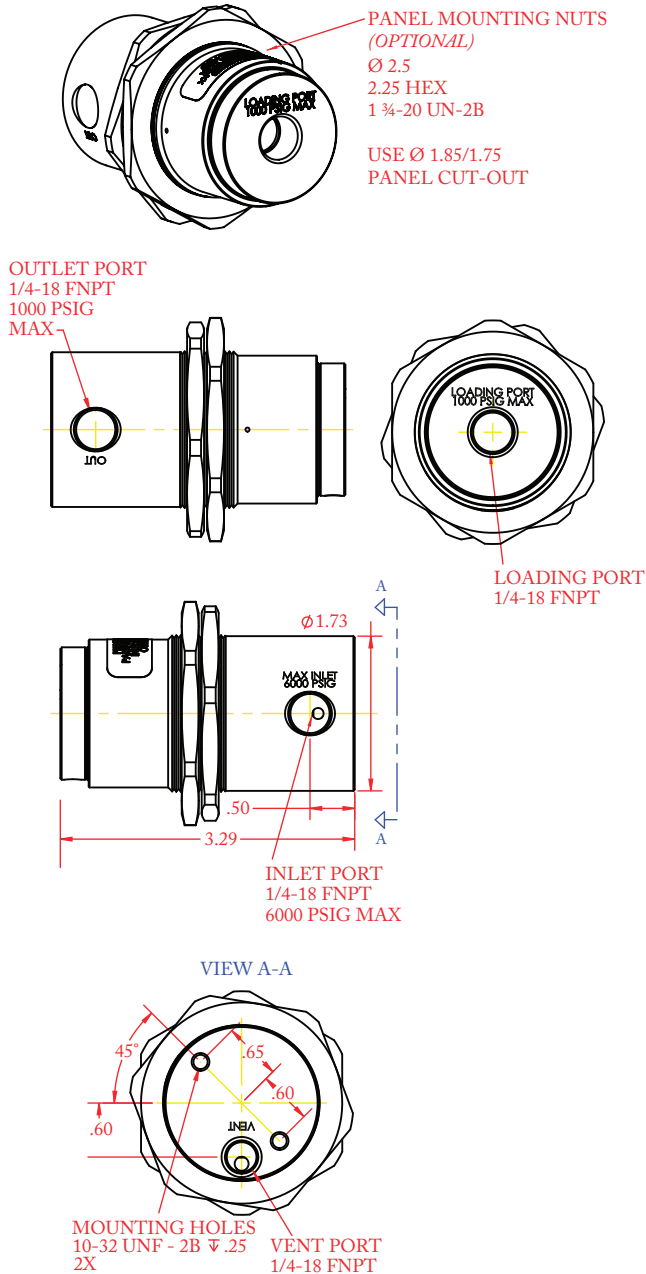
PEEK is a registered trademark of Victrex PLC. Hastelloy is a registered trademark of Haynes International, Inc.  
Vespel and Viton are registered trademarks of E.I. duPont de Nemours and Company. Monel is a registered trademark of Special Metals Corporation.

# 3500AL SERIES

**Air Loaded, High Pressure, Pneumatic  
Pressure Reducing Regulators**

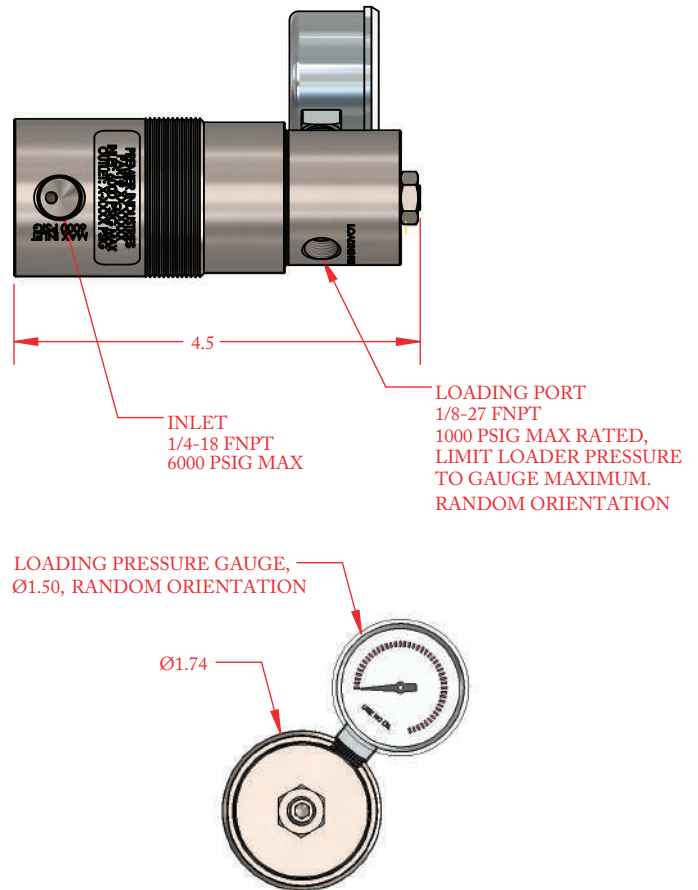
## PART NUMBER 50-12306

*standard design*



## PART NUMBER 50-12398

*non-venting design w/ bias spring shown above*



# 3500AL SERIES

Air Loaded, High Pressure, Pneumatic  
Pressure Reducing Regulators

PART #:	-	1	2	-	3	4	5	-	6	7
50-12306	-			-				-		

1	BODY MATERIALS & FINISH
1	6061-T6 Aluminum <i>Clear Anodize</i>
2	303 Stainless Steel <i>Clean per spec #515</i>
3	316 Stainless Steel <i>Clean per spec #515</i>
2	PORTING
1	2 port
2	4 port
3	O-RING MATERIAL
1	Nitrile
2	Viton®
3	EPDM
4	Neoprene

4	SEAT MATERIAL
1	PEEK®
2	PCTFE
3	Vespel®
5	FLOW (Cv)
1	0.06
2	0.2
6	GAUGES
1	None
2	Include gauges (4 port only)

7	LOADER RATIO
2	2:1** <i>(2000 psig max outlet)</i>
3	3:1** <i>(3000 psig max outlet)</i>
4	4:1** <i>(4000 psig max outlet)</i>
<p><i>** Approximately 2 psig additional dome load per 100 psi inlet pressure to maintain outlet/loader ratio on Cv 0.2 design. Approximately 1.5 psig additional dome load per 100 psi inlet pressure to maintain outlet/loader ratio on Cv 0.06 design.</i></p>	

PEEK® is a registered trademark of Victrex PLC  
Vespel® and Viton® are registered trademarks of E.I. duPont de Nemours and Company  
For custom materials of construction (monel®, hastelloy® etc.) please contact factory.

Contact factory for material certifications. Fees may apply.



## 3500DL SERIES

Dome Loaded, High Pressure, Pneumatic  
Pressure Reducing Regulators



Premier 3500DL Series dome loaded, pressure reducing regulators are your affordable and compact solution for high pressure pneumatic applications. These rugged, piston sensed regulators are rated for 6000 PSIG (413.69 bar), featuring a 1:1 loader with a maximum outlet pressure of 1000 PSIG (68.95 bar) and Cv: 0.06 or 0.2. Premier 3500DL regulators feature captured venting to safely pipe away expelled media. With a variety of construction material options, porting configurations, and mounting options, you can be confident the Premier 3500DL Series dome loaded, pressure reducing regulator will integrate seamlessly into your pneumatic application.

### FEATURES

- Compatible with electro-pneumatic controllers
- Piston Sensed
- Reduced particle contamination with 15 micron valve cartridge filter
- Captured venting
- Lightweight, compact design
- Machined bar stock body and piston eliminates porosity found in castings
- Bottom mount (*standard*)
- Optional threaded body & panel mounting nuts
- Two or four port designs available
- 1:1 loader with max outlet pressure of 1000 PSIG (68.9 bar)

**SOME APPLICATIONS WILL REQUIRE A CUSTOM SOLUTION.**  
CONTACT PREMIER INDUSTRIES TO REQUEST A MODIFICATION  
OR A CUSTOM DESIGN.

## SPECIFICATIONS

- **MAXIMUM INLET PRESSURE:**
  - 6000 PSIG (413.69 bar)
- **OUTLET PRESSURE:**
  - 1000 PSIG (68.95 bar)
- **MAX DOME LOAD:** 1000 PSIG (68.95 bar)
- **LOAD RATIO:** 1:1\*\*

\*\* **Cv 0.06:** an additional 10-50 psi (0.69- 3.45 bar) dome load is required to maintain a 1:1 outlet pressure to dome load ratio.

**Cv 0.2:** an additional 10-70 psi (0.69- 3.45 bar) dome load is required to maintain a 1:1 outlet pressure to dome load ratio.

- **Cv:** 0.06 or 0.2
- **LEAK RATE:** Bubble tight N<sub>2</sub>

## MATERIALS OF CONSTRUCTION

- **BODY:**
  - 6061-T6 Aluminum, Clear Anodized (standard)
  - 303 Stainless Steel
  - 316 Stainless Steel
- **BONNET:**
  - 6061-T6 Aluminum, Clear Anodized (standard)
  - 303 Stainless Steel
  - 316 Stainless Steel
- **PISTON:**
  - 303 Stainless Steel
  - 316 Stainless Steel (316 stainless steel body option)
- **MAIN VALVE COMPONENTS:**
  - 300 Series Stainless Steel
- **MAIN VALVE SEAT:** PEEK® (standard)  
(other options available)
- **O-RING SEALS:** Nitrile, PTFE (standard)  
(other options available)
- **PANEL MOUNTING NUTS (OPTIONAL):**
  - 6061-T6 Aluminum (nickel plated)

PEEK is a registered trademark of Victrex PLC.

Monel is a registered trademark of Special Metals Corporation.

Hastelloy is a registered trademark of Haynes International, Inc.

## PORTING

- **STANDARD INLETS:** 1/4" FNPT
- **STANDARD OUTLETS:** 1/4" FNPT
- **DOME PORT:** 1/4" FNPT
- **VENT PORT:** 1/4" FNPT
- **GAUGE PORTS:** 1/8" FNPT

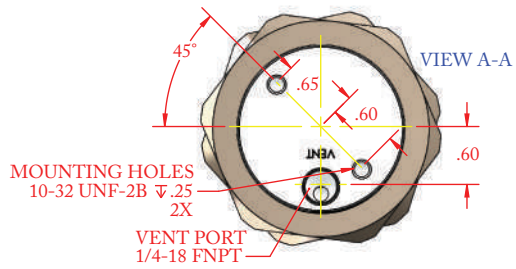
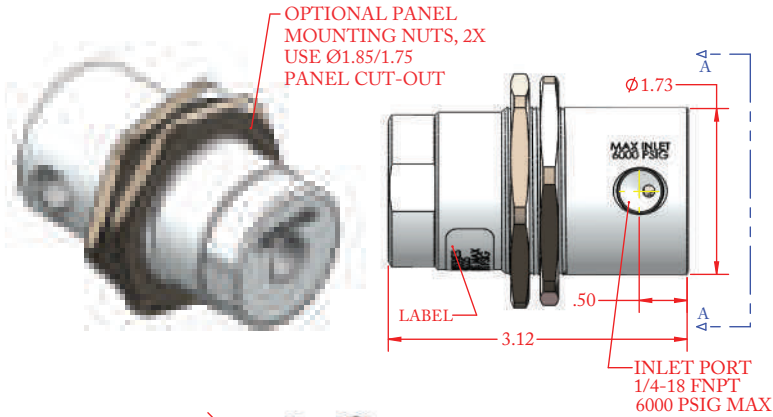
## OPTIONS

- Gauges
- Private label
- Panel mounting nuts (X2 required)  
(Order Separately: P/N 50-11803)
- For custom materials of construction  
(monel®, hastelloy® etc.) please contact factory.

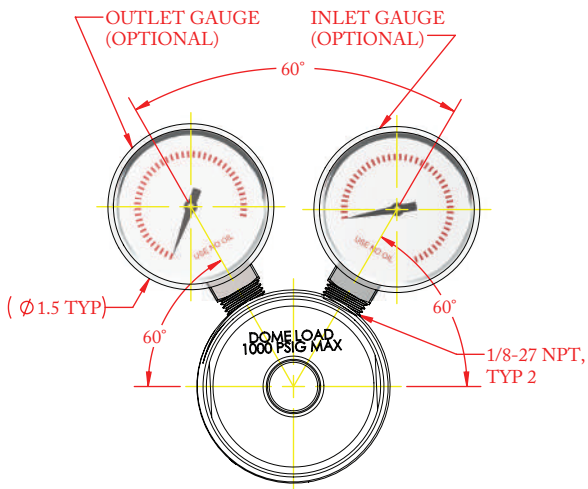
# 3500DL SERIES

Dome Loaded, High Pressure, Pneumatic Pressure Reducing Regulators

**PART NUMBER: 50-12251-11XX1**



**PART NUMBER: 50-12251-12XX2**



# 3500DL SERIES

Dome Loaded, High Pressure, Pneumatic  
Pressure Reducing Regulators

SERIES	-	1	2	-	3	4	-	5	6
50-12251	-			-			-		

1	BODY MATERIALS & FINISH
1	6061-T6 Aluminum <i>Clear Anodize</i>
2	303 Stainless Steel <i>Clean per spec #515</i>
3	316 Stainless Steel <i>Clean per spec #515</i>
2	PORTING
1	2 port
2	4 port
3	O-RING MATERIAL
1	Nitrile
2	Viton®
3	EPDM
4	Neoprene

4	SEAT MATERIAL
1	PEEK®
2	PCTFE
3	Vespel®
5	FLOW (Cv)
1	0.06
2	0.2
6	GAUGES
1	None
2	Include gauges (4 port only)

*PEEK® is a registered trademark of Victrex PLC  
Vespel® and Viton® are registered trademarks of E.I. duPont de Nemours and Company  
For custom materials of construction (monel®, hastelloy® etc.) please contact factory.  
Contact factory for material certifications. Fees may apply.*

## 3560 SERIES

Miniature, Pneumatic, High Pressure, Captured Venting  
Pressure Reducing Regulators



Premier 3560 Series pressure reducing regulators are your affordable and compact solution for high pressure pneumatic applications. These rugged, piston sensed regulators are designed for inlet and outlet pressures up to 10000 PSIG (*689.48 bar*) and Cv 0.06 or 0.20. Pipe away potentially toxic or hazardous media with the tamper resistant captured venting. Optional panel mounting and bottom mounting available.

### FEATURES

- 10000 psig (*689.48 bar*) max
- Captured-venting
- Cv 0.06, or 0.20
- Machined bar stock body and piston eliminates porosity found in castings
- Rear mounting holes standard with optional panel mounting nuts
- Compact and economically priced

**SOME APPLICATIONS WILL REQUIRE A CUSTOM SOLUTION.**  
CONTACT PREMIER INDUSTRIES TO REQUEST A MODIFICATION  
OR A CUSTOM DESIGN.

## SPECIFICATIONS

- **MAXIMUM INLET PRESSURE:**
  - 10000 PSIG (*689.48 bar*)
- **CONTROL PRESSURE RANGES:**
  - 0-250 PSIG (*0-17.24 bar*)
  - 5-500 PSIG (*0.34-34.47 bar*)
  - 5-800 PSIG (*0.34-55.16 bar*)
  - 10-1500 PSIG (*0.69-103.42 bar*)
  - 15-2500 PSIG (*1.03-172.37 bar*)
  - 25-4000 PSIG (*1.72-275.79 bar*)
  - 50-6000 PSIG (*3.45-413.69 bar*)
  - 100-10000 PSIG (*6.89-689.48 bar*)
- **Cv:** 0.06, 0.20

## PORTING

- **STANDARD INLET:** 1/4" FNPT
- **STANDARD OUTLET:** 1/4" FNPT
- **GAUGE PORTS:** 1/8" FNPT, 2X
- **VENT PORT:** 1/4" FNPT

## OPTIONAL ITEMS

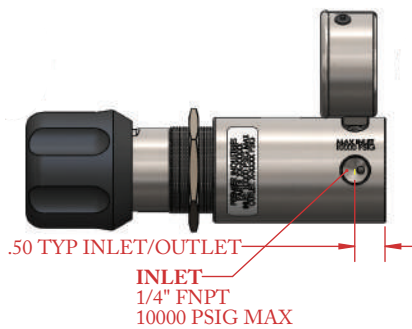
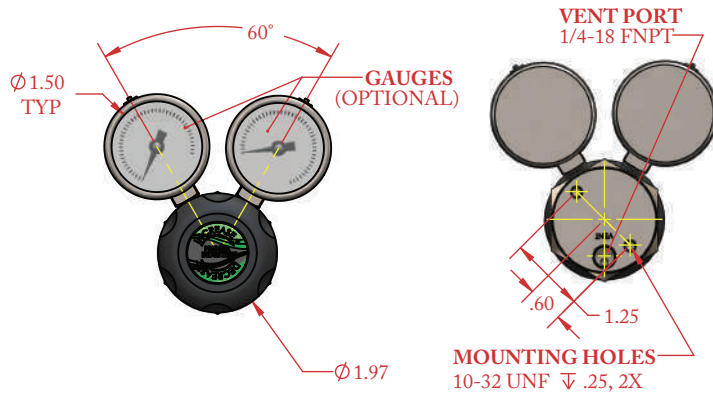
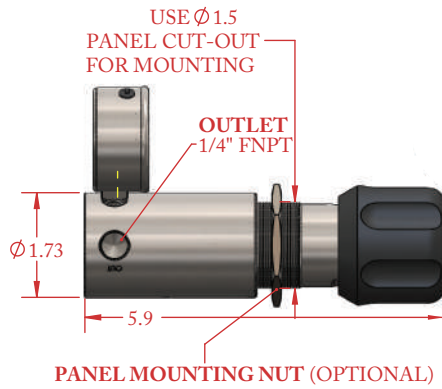
- Gauges (*316 stainless steel wetted components, 304 stainless steel case, glycerine filled*)
- Panel mounting configuration
- Private label

## MATERIALS OF CONSTRUCTION

- **BODY:**
  - 303 Stainless Steel
  - 316 Stainless Steel
  - 6061-T6 Aluminum, Nickel Plated (*6000 psig max*)
- **BONNET:**
  - 303 Stainless Steel (*Non-wetted*)
- **VALVE STEM:**
  - 17-4 Stainless Steel
- **OTHER WETTED PARTS:**
  - 316 Stainless Steel (*with 316 stainless steel body option*)
  - 300 Series Stainless Steel (*with all other body options*)
- **SENSOR PISTON & HOUSING:**
  - 17-4 Stainless Steel
- **SEALS:**
  - Buna-N
  - Viton®
  - EPDM
  - Low-temperature nitrile
- **MAIN VALVE & VENT VALVE SEAT OPTIONS:**
  - Vespel®
  - PEEK®
  - PCTFE (*aluminum body option only*)

*Vespel® and Viton® are registered trademarks of E.I. duPont de Nemours and Company  
PEEK® is a registered trademark of Victrex PLC*

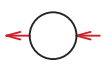



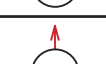
PART NUMBER: 30-10466



PART #	1	-	2	3	4	-	5	6	7
30-10466		-				-			

1	VENT/MAIN VALVE SEAT MATERIAL
1	Vespel Sp-1®
2	PEEK®
3	PCTFE ( <i>Aluminum body only</i> )
2	OUTLET PRESSURE
1	0-250 psig (0-17.24 bar)
2	5-500 psig (0.34-34.47 bar)
3	5-800 psig (0.34-55.16 bar)
4	10-1500 psig (0.69-103.42 bar)
5	15-2500 psig (1.03-172.37 bar)
6	25-4000 psig (1.72-275.79 bar)
7	50-6000 psig (3.45-413.69 bar)
8	100-10000 psig (6.89-689.48 bar)

3	BODY MATERIAL & FINISH
1	303 Stainless Steel
2	316 Stainless Steel
3	6061-T6 Aluminum, Nickel plated <i>6000 psig max</i>
4	O-RING MATERIAL
1	BUNA-N
2	VITON®
3	EPDM
4	NITRILE, LO-TEMP
5	FLOW (Cv)
1	0.06
2	0.20

6	GAUGES/ PORTING
1	No gauges, 'S' porting 
2	No gauges, 'C' porting 
3	Include gauges, 'C' porting 
4	No gauges, 'A' porting 
5	Include gauges, 'A' porting 
7	MOUNTING
1	Bottom mount only
2	Panel mounting & bottom mount

**10000 PSIG MAX INLET**

*The end user is responsible to ensure adequate fittings are used to connect regulator to plumbing.*

*Vespel® & Viton® are registered trademarks of E.I. duPont de Nemours and Company.  
PEEK® is a registered trademark of Victrex PLC*

*Contact factory for material certifications.  
Fees may apply.*



## 4050 SERIES

Two Stage, High Sensitivity  
Pressure Reducing Regulators



Premier 4050 Series regulators are two stage, high sensitivity, pressure reducing regulators, rated for inlet pressures up to 3000 psig (206.8 bar), and a max flow of 15 SLPM. Premier 4050 Series regulators can be fitted with an optional, capturable relief valve.

### FEATURES

- Max flow: 15 slpm
- Adjustable to within 0.2 inches H<sub>2</sub>O / 0.007 psig of target pressure on the 0-2 psig control pressure config.
- Optional panel mounting nuts
- Machined bar stock body eliminates porosity found in castings

**SOME APPLICATIONS WILL REQUIRE A CUSTOM SOLUTION.**  
CONTACT PREMIER INDUSTRIES TO REQUEST A MODIFICATION  
OR A CUSTOM DESIGN.

## SPECIFICATIONS

- **MAXIMUM INLET PRESSURE:**
  - 3000 PSIG (*206.8 bar*)
- **CONTROL PRESSURE RANGES:**
  - 0-2 PSIG (*0 - 0.14 bar*)
  - 0-10 PSIG (*0 - 0.69 bar*)
  - 0-30 PSIG (*0 - 2.07 bar*)
- **MAX FLOW:** 15 SLPM (AIR)

## MATERIALS OF CONSTRUCTION

- **WETTED MATERIALS:**
  - 6061-T6 Aluminum/Clear Anodize, SAE 360 Brass, and Stainless Steel
- **SEAL MATERIALS:**
  - Buna-N
  - Viton-A®
- **NON-WETTED MATERIALS:**
  - 6061-T6 Aluminum/Clear Anodize, spring steel, brass
- **PANEL MOUNTING NUTS (OPTIONAL):**
  - 6061-T6 Aluminum/Clear Anodize

## PORTING

- **STANDARD INLET:**
  - 1/4-18 FNPT
  - *Contact factory for other options*
- **STANDARD OUTLET:**
  - 1/8-27 FNPT
  - *Contact factory for other options*

## OPTIONAL ITEMS

- Gauges (*optional*)
- Private label
- Capturable relief valve (1/4' MNPT connection)
- Panel mounting nuts (P/N: 50-11355)
- CGA adapter for cylinder connections

*Viton-A® is a registered trademark of E.I. duPont de Nemours and Company*



PART #	-	1	2	-	3	4	-	5	6	-	7
50-12805	-			-			-			-	

1	WETTED MATERIALS
1	6061-T6 Aluminum/Clear Anodize, SAE 360 Brass, and stainless steel
2	SEAL MATERIALS
1	BUNA-N
2	VITON-A®
3	GAUGES
1	INLET GAUGE (3000 PSIG)
2	INLET GAUGE PORT PLUGGED
4	RELIEF VALVE
0	NO RELIEF VALVE
1	INCLUDE RELIEF VALVE

5	INLET ADAPTER
0	None (1/4-18 FNPT)
6	OUTLET ADAPTER
0	None (1/8-27 FNPT)
7	OUTLET PRESSURE (RELIEF PRESSURE)
1	0-2 PSIG (15 PSIG)
2	0-10 PSIG (15 PSIG)
3	0-30 PSIG (45 PSIG)

*Viton-A® is a registered trademark of E.I. du Pont de Nemours and Company*

*Contact factory for material certifications. Fees may apply.*

# 4300N SERIES

**Miniature, Two Stage**  
Pressure Reducing Regulators



P/N: 50-12070  
*with optional C10 inlet adapter*



P/N: 50-11422  
*with integrated C10 inlet connection*



P/N: 50-12705  
*with tamper resistant acorn nut*

Premier 4300N Series adjustable, miniature, two stage (1st stage piston, 2nd stage diaphragm) pressure reducing regulators, are designed for precise, low-flow gas delivery. Their compact, two stage design provides precise, stable delivery pressures even as the supply pressure decreases. Premier 4300N Series regulators control inlet pressures up to 3000 PSIG (206.84 bar) and have a flow capacity of Cv 0.04.

Premier 4300N Series regulators are available in a wide variety of materials and configurations, making them ideal for use in labs, industrial monitors, disposable / transportable gas cylinders, and for the regulation of a broad range of media.

## FEATURES

- Precise, stable delivery pressure, even as the supply pressure decreases
- Low internal volume promotes quick gas flow stabilization and purging
- Models are available for both corrosive and non-corrosive service.
- Major components are available in numerous materials
- Machined bar stock body, interstage, bonnet and piston eliminates porosity found in castings
- Numerous porting configurations are available
- Integral inlet filter
- Compact size (1¼ in. diameter x 5 in. high)
- Extremely light weight
- Very competitive pricing

**SOME APPLICATIONS WILL REQUIRE A CUSTOM SOLUTION.**  
CONTACT PREMIER INDUSTRIES TO REQUEST A MODIFICATION  
OR A CUSTOM DESIGN.

# 4300N SERIES

Miniature, Two Stage  
Pressure Reducing Regulators

## SPECIFICATIONS

- **MAXIMUM INLET PRESSURE:**
  - 3000 PSI (206.84 bar)
- **OUTLET PRESSURE RANGES:**
  - 0-10 PSIG (0 - 0.69 bar)
  - 0-50 PSIG (0 - 3.45 bar)
  - 0-100 PSIG (0 - 6.89 bar)
- **LEAK RATE:** Bubble Tight
- **WEIGHT:**
  - Approx. 9 oz. for Aluminum
  - Approx. 1.5 lbs for Brass and Stainless Steel
- **FLOW CAPACITY (C<sub>v</sub>):** 0.04

## MATERIALS OF CONSTRUCTION

- **BODY OPTIONS:**
  - 303 Stainless Steel
  - 6061-T6 Aluminum / Clear Anodized
- **BONNET:**
  - 6061-T6 Aluminum / Clear Anodized
  - Nickel Plated Aluminum
- **PISTON:**
  - SAE 360 Brass
  - 303 Stainless Steel
- **DIAPHRAGM:**
  - Neoprene (standard)
  - PTFE
- **VALVE SEATS:**
  - Neoprene (Standard)
  - PTFE
- **INLET FILTER:**
  - 40 Micron Sintered 316 Stainless Steel

## PORTING

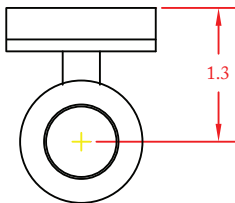
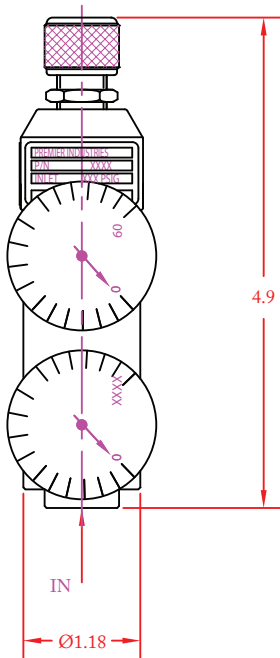
- **STANDARD INLET PORTING:**
  - 1/4" FNPT (standard)
- **OPTIONAL INLET PORTING**
  - 1/8" FNPT
  - C-10 (5/8"-18 UNF) (Integrated)
  - All available CGA adapter connections
- **STANDARD OUTLET PORTING:**
  - 1/8" FNPT (standard)
- **OPTIONAL OUTLET ADAPTER CONNECTIONS:**
  - 1/8" Hose Barb
  - 3/16" Hose Barb
  - 1/4" Hose Barb

## OPTIONS

- Inlet and/or Outlet Gauges
- Anodized Colors for Aluminum Bodies and Bonnets
- Acorn nut for preset outlet pressures: P/N: 50-12705
- Private Label
- Other elastomers available upon request

Viton® is a registered trademark of E.I. duPont de Nemours and Company  
Contact factory for material certifications. Fees may apply.

PART NUMBER: 50-10790



# 4300S SERIES

Miniature, Two Stage  
Pressure Reducing Regulators



Premier 4300S Series adjustable, miniature, two stage (1st stage piston, 2nd stage Elgiloy® diaphragm) pressure reducing regulators, are designed for high purity, low-flow gas delivery. Their compact, two stage design provides precise, stable delivery pressures even as the supply pressure decreases. Premier 4300S Series regulators are rated for inlet pressures up to 3000 PSIG (206.84 bar) and Cv 0.014.

Premier 4300S Series regulators are available in a wide variety of materials and configurations, making them ideal for use in labs, industrial monitors, disposable / transportable gas cylinders, and for the regulation of a broad range of media.

## FEATURES

- Elgiloy® diaphragm reduces gas contamination and diffusion
- Precise, stable delivery pressure even as the supply pressure decreases
- Low internal volume promotes quick gas flow stabilization and purging
- Models are available for both corrosive and non-corrosive service.
- Major components available in numerous materials
- Machined bar stock body, interstage body, bonnet and piston eliminates porosity found in castings
- Optional acorn nut / preset outlet pressure
- Integral inlet filter
- Compact size (1.25 in. diameter x 4.7 in. high)
- Extremely light weight
- Very competitive pricing

**SOME APPLICATIONS WILL REQUIRE A CUSTOM SOLUTION.**  
CONTACT PREMIER INDUSTRIES TO REQUEST A MODIFICATION  
OR A CUSTOM DESIGN.



# 4300S SERIES

Miniature, Two Stage  
Pressure Reducing Regulators

## SPECIFICATIONS

- **MAXIMUM INLET PRESSURE:**
  - 3000 psig (206.84 bar)
- **OUTLET PRESSURE RANGES:**
  - 0-10 PSIG (0 - 0.69 bar)
  - 0-50 PSIG (0 - 3.45 bar)
  - 0-100 PSIG (0 - 6.89 bar)

*\*\*Other pressure ranges available upon request*
- **LEAK RATE:** Bubble Tight
- **WEIGHT:**
  - Approx. 9 oz. for Aluminum
  - Approx. 1.5 lbs for Brass and Stainless Steel
- **FLOW CAPACITY (C<sub>v</sub>):** 0.014

## MATERIALS OF CONSTRUCTION

- **BODY OPTIONS:**
  - SAE 360 Brass / Nickel Plated (Standard)
  - 303 Stainless Steel
  - 316 Stainless Steel
  - 6061-T6 Aluminum / Nickel Plated
  - Monel® available upon request
- **BONNET:**
  - SAE 360 Brass / Nickel Plated (Standard)
  - 316 Stainless Steel
  - 6061-T6 Aluminum / Nickel Plated
  - Monel® available upon request
- **PISTON:**
  - SAE 360 Brass (Standard)
  - 303 Stainless Steel
  - Monel® available upon request
- **2ND STAGE DIAPHRAGM:**
  - Elgiloy®
- **PISTON SEAL OPTIONS:**
  - Viton®
  - BUNA-N
  - Neoprene
- **MAIN VALVE SEAT:** PTFE

## PORTING

- **INTEGRATED INLET PORTING:**
  - 1/4" FNPT (Standard)
  - 1/8" FNPT
- **OPTIONAL INLET ADAPTER CONNECTIONS:**
  - C-10 (5/8"-18 UNF)
  - All available CGA Connections
- **INTEGRATED OUTLET PORTING:**
  - 1/8" FNPT (Standard)
- **OPTIONAL OUTLET ADAPTER CONNECTIONS:**
  - 1/8" MNPT
  - 1/8" Hose Barb
  - 3/16" Hose Barb
  - 1/4" Hose Barb

## OPTIONS

- Gauges: Chrome plated steel case with brass socket or stainless steel wetted
- Optional acorn nut / preset outlet pressure: P/N: 50-11676 (rated for inlet pressures up to 5000 psig / 344.7 bar)
- Private Label

## ORDERING/PART NUMBERS

- **Standard, 10 PSIG (0.69 bar) outlet:** 50-10364-1
- **Standard, 50 PSIG (3.45 bar) outlet:** 50-10364-2
- **Standard, 100 PSIG (6.89 bar) outlet:** 50-10364-3
- **Non-Standard:** part # assigned per requirements

*Elgiloy® is a registered trademark of Elgiloy Specialty Metals Division, Combined Metals of Chicago L.L.C.*

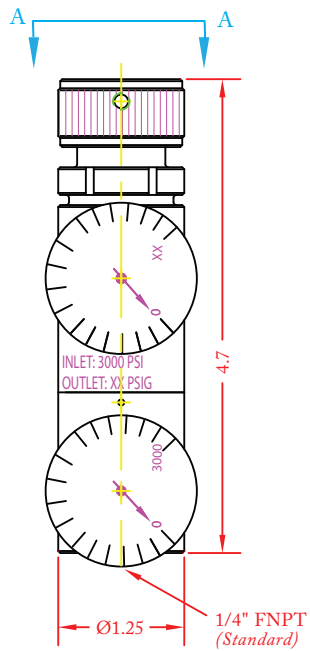
*Viton® is a registered trademarks of E.I.duPont de Nemours and Company*

*Contact factory for material certifications. Fees may apply.*

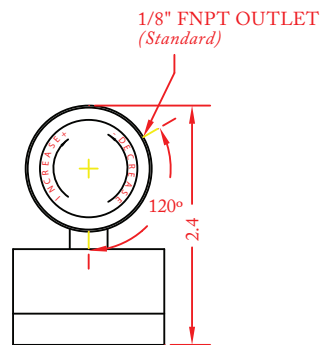
# 4300S SERIES

Miniature, Two Stage  
Pressure Reducing Regulators

PART NUMBER: 50-10364



VIEW A-A



# 4500 SERIES

Two Stage, Diaphragm Sensed  
Pressure Reducing Regulators



Premier 4500 Series regulators share the same features as Premier 2500 Series regulators, except, the 4500 Series regulators two stage design offers more precise outlet pressure control and a significantly decreased supply pressure effect (*decaying inlet characteristic*). These diaphragm sensed regulators control inlet pressures up to 3000 PSIG (*206.84 bar*); they are available with a flow capacity of Cv 0.08 or 0.2, and either a stainless steel or neoprene diaphragm. Premier 4500 Series regulators are available in 316 stainless steel, brass, nickel plated brass, and aluminum.

Typical applications include: cylinder bottle applications, gas and liquid chromatography, high purity carrier gases, zero, span, and calibration gases, lecture bottle applications, research and development labs, low flow purge systems, and industrial controls.

## FEATURES

- Very competitive pricing
- Compact versions available with body diameter of 1.5 in. x 5.5 in. long
- Machined bar stock body eliminates porosity found in castings
- Reduced particle contamination with 15 micron valve cartridge filter
- Stable set pressures as cylinder pressure is reduced
- Interstage relief valve
- Stainless diaphragm option minimizes inboard diffusion of air into regulator
- Captured bonnet vent (*standard*)

**SOME APPLICATIONS WILL REQUIRE A CUSTOM SOLUTION.**  
CONTACT PREMIER INDUSTRIES TO REQUEST A MODIFICATION  
OR A CUSTOM DESIGN.

### SPECIFICATIONS

- **MAXIMUM INLET PRESSURE:**
  - 3000 PSIG (206.84 bar)
- **CONTROL PRESSURE RANGES:**
  - 0-10 PSIG (0 - 0.69 bar)
  - 0-25 PSIG (0 - 1.72 bar)
  - 0-30 PSIG (0 - 2.07 bar)
  - 0-50 PSIG (0 - 3.45 bar)
  - 0-100 PSIG (0 - 6.89 bar)
  - 0-250 PSIG (0 - 17.24 bar)
- **FLOW (Cv):** 0.08, or 0.2

### MATERIALS OF CONSTRUCTION

- **BODY OPTIONS:**
  - SAE 360 Brass
  - SAE 360 Brass, Nickel Plated\*  
*\*Contact factory for pricing*
  - 316 Stainless Steel
  - 6061-T6 Aluminum, Clear Anodized
- **BONNET OPTIONS:**
  - SAE 360 Brass
  - SAE 360 Brass, Nickel Plated\*  
*\*Contact factory for pricing*
  - 303 Stainless Steel
  - 6061-T6 Aluminum, Clear Anodized
- **DIAPHRAGM OPTIONS:**
  - 316 Stainless Steel
- **STAINLESS DIAPHRAGM SEAL:** PTFE
- **MAIN VALVE SEAL:** PTFE
- **VALVE SEAT:** PTFE
- **FIRST STAGE RELIEF VALVE SEAL:** PTFE

### PORTING

- **INLET PORTING OPTIONS:**
  - 1/8" FNPT
  - 1/4" FNPT
  - All CGA Connections Available:  
– CGA 165, 180, 320, 350, 510, 540, 580, etc.
- **OUTLET PORTING OPTIONS:**
  - 1/8" FNPT
  - 1/4" FNPT

### OPTIONS

- Gauges
- Piston sensed first stage
- Hand knob styles
- Panel mounting bonnet & nut(s)
- Outlet shut off valve
- Private labeling
- Anodized colors for aluminum bodies & bonnets

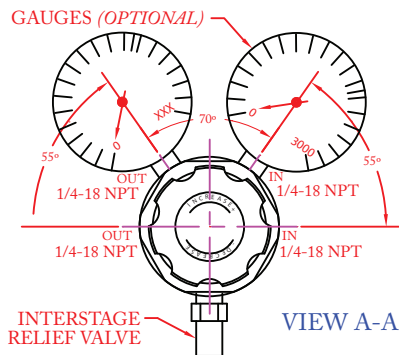
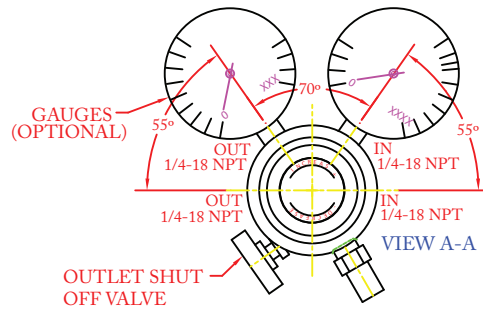
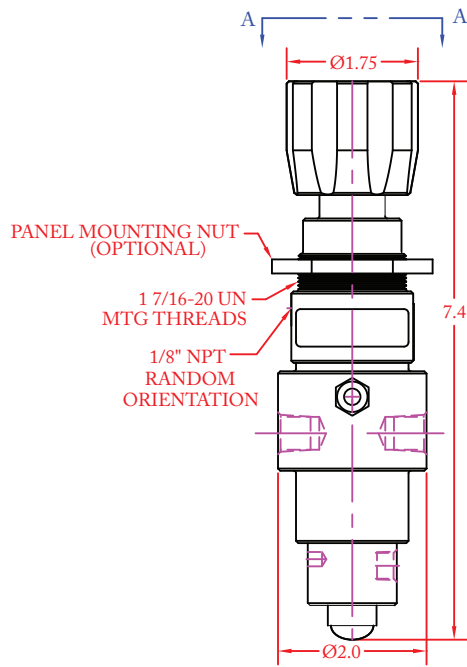
Viton® is a registered trademark of E.I. duPont de Nemours and Company  
Monel® is a registered trademark of Special Metals Corporation.  
Contact factory for material certifications. Fees may apply.

# 4500 SERIES

Two Stage, Diaphragm Sensed  
Pressure Reducing Regulators






PART NUMBER: 50-11494

VIEW FOR OPTIONAL INTERNAL  
OUTLET SHUT OFF VALVE



PART #	-	1	2	3	4	5	6	7	8
50-11494	-								

1	BODY + BONNET MATERIAL & FINISH
2	316 Stainless Steel, cleaned per spec #515 <i>SAE 360 Brass, Nickel plated</i>
3	6061-T6 Aluminum, clear anodized <i>6061-T6 Aluminum, clear anodized</i>
5	SAE 360 Brass, *Contact factory nickel plated* <i>for pricing</i> <i>SAE 360 Brass, nickel plated</i>
8	SAE 360 Brass, <i>SAE 360 Brass</i>
9	316 Stainless Steel, cleaned per spec #515 <i>303 Stainless Steel cleaned per spec #515</i>
2	OUTLET PRESSURE <i>(outlet gauge range, if supplied)</i>
0	0 - 10 PSIG / 0 - 0.69 bar <i>(per application)</i>
1	0 - 25 PSIG / 0 - 1.72 bar <i>(0-30 PSIG gauge)</i>
2	0 - 50 PSIG / 0 - 3.45 bar <i>(0-60 PSIG gauge)</i>
3	0 - 100 PSIG / 0 - 6.89 bar <i>(0-160 PSIG gauge)</i>
4	0 - 250 PSIG / 0 - 17.24 bar <i>(0-400 PSIG gauge)</i>
5	0 - 30 PSIG / 0 - 2.07 bar

3	GAUGES <i>(optional)</i>
Blank	no gauges <i>(standard)</i>
A	2" diameter, inlet only, stainless steel wetted gauges
B	2" diameter, outlet only, brass wetted gauges
C	2" diameter, inlet & outlet, stainless steel wetted gauges
F	2" diameter, inlet & outlet, brass wetted gauges
J	2" diameter, inlet & outlet, brass wetted/ chrome plated gauges
4	PANEL MOUNTING NUT <i>(optional)</i>
5	Mounting nut
8	No nut <i>(standard)</i>
5	PORTING OPTIONS
C	 <i>(Standard, 1/4" inlet, 1/4" outlet)</i>
D	
I	
N	
O	

6	INTERNAL OUTLET SHUT OFF VALVE <i>(optional)</i>
Blank	None <i>(standard)</i>
S	Internal outlet shut off valve
7	PORT SIZE
Blank	1/4" ports <i>(standard)</i>
8	1/8" ports
8	MAIN VALVE Cv
Blank	Cv 0.08 <i>(standard)</i>
Y	Cv 0.20 w/o filter <i>(hydraulic service)</i>
Z	Cv 0.20

Contact factory for material certifications.  
Fees may apply.

# 4600 SERIES

Two Stage, High Pressure, Piston Sensed  
Pressure Reducing Regulators



Premier 4600 Series high pressure, two stage regulators offer precise and stable outlet pressures despite variations in supply pressure. These piston sensed regulators are designed for inlet pressures up to 6000 PSIG (*413.69 bar*); and Cv 0.06 or 0.20.

## FEATURES

- Cv: 0.06 or 0.20
- Stable set pressures as cylinder pressure is reduced
- Piston sensed
- Max inlet pressure: 6000 psig / 413.69 bar
- Machined bar stock body eliminates porosity found in castings

**SOME APPLICATIONS WILL REQUIRE A CUSTOM SOLUTION.**  
CONTACT PREMIER INDUSTRIES TO REQUEST A MODIFICATION  
OR A CUSTOM DESIGN.

## SPECIFICATIONS

- **MAX INLET PRESSURE:**
  - 6000 psig / 413.69 bar
- **OUTLET PRESSURE RANGES:**
  - 0-100 PSIG (0-6.89 bar)
  - 0-400 PSIG (0-27.58 bar)
  - 5-700 PSIG (0.34-48.26 bar)
  - 5-1000 PSIG (0.34-68.95 bar)
  - 10-1500 PSIG (0.69-103.42 bar)
  - 15-2500 PSIG (1.03-172.37 bar)
- **FLOW (Cv):** 0.06, 0.20

## MATERIALS OF CONSTRUCTION

- **BODY:**
  - SAE 360 Brass, Nickel Plated\*  
*\*Contact for pricing*
  - 316 Stainless Steel
- **WETTED COMPONENTS:**
  - 316 Stainless Steel
  - 17-4 Stainless Steel
- **VALVE STEM:**
  - 17-4 Stainless Steel
- **1<sup>st</sup> STAGE VALVE SEAT:**
  - Vespel®
- **2<sup>nd</sup> STAGE VALVE SEAT:**
  - PCTFE
- **O-RING MATERIAL OPTIONS:**
  - Buna-N
  - Aflas®
  - EPDM
  - Viton-A®
  - Kalrez® (*Contact factory for pricing*)
  - Nitrile, low temp
- **BACK-UP RINGS:**
  - PCTFE
- **SEALS, STATIC:**
  - PTFE

## PORTING

- **INLET PORTING:**
  - 1/4" NPT
- **OUTLET PORTING:**
  - 1/4" NPT
- **INTERSTAGE PORTING:**
  - 1/8" NPT

## OPTIONS

- Gauges
- Private labeling
- Fluted knob, T-handle, tamper resistant acorn nut

*Vespel®, Kalrez®, and Viton® are registered trademarks of  
E.I. duPont de Nemours and Company  
Monel® is a registered trademark of Special Metals Corporation.  
AFLAS® is a registered trademark of Asahi Glass Co., Ltd.*

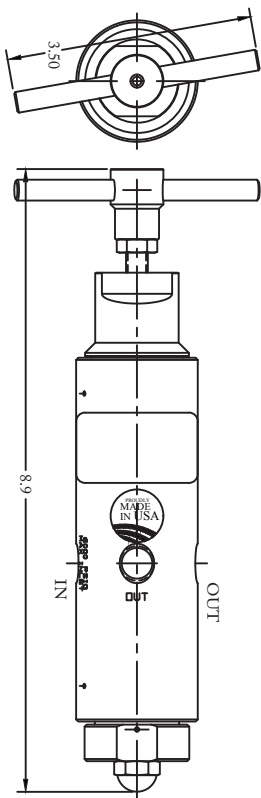


# 4600 SERIES

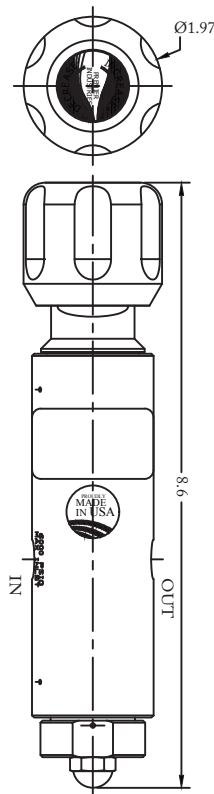
Two Stage, High Pressure, Piston Sensed  
Pressure Reducing Regulators

**PART NUMBER: 50-13020**

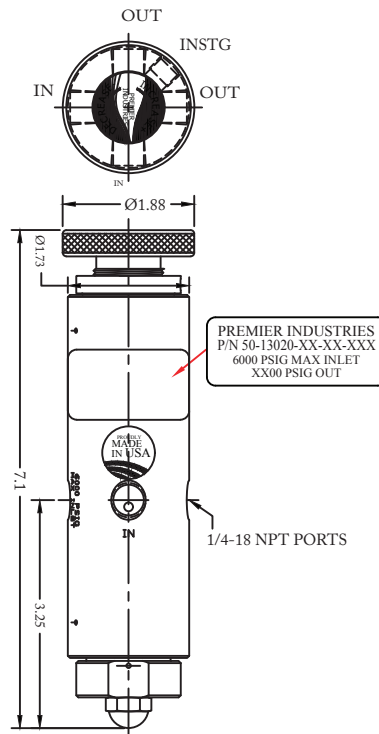
T-HANDLE



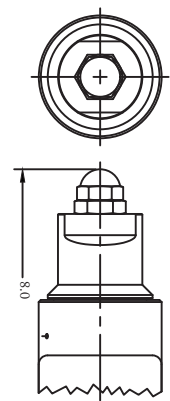
FLUTED HAND KNOB



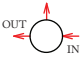
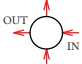

LOW PROFILE HAND KNOB



ACORN NUT



PART #	-	1	2	-	3	4	-	5	6	7
50-13020	-			-			-			

<b>1</b>	<b>BODY MATERIAL</b>
<b>B</b>	SAE 360 Brass, <i>(Contact for pricing)</i> Nickel plated
<b>1</b>	316 Stainless Steel
<b>2</b>	<b>PORT CONFIGURATIONS</b>
<b>D</b>	
<b>B</b>	
<b>A</b>	
<b>3</b>	<b>OUTLET PRESSURE</b>
<b>1</b>	0-100 PSIG (0-6.89 bar)
<b>3</b>	0-400 PSIG (0-27.58 bar)
<b>4</b>	5-700 PSIG (0.34-48.26 bar)
<b>5</b>	5-1000 PSIG (0.34-68.95 bar)
<b>6</b>	10-1500 PSIG (0.69-103.42 bar)
<b>7</b>	15-2500 PSIG (1.03-172.37 bar)

<b>4</b>	<b>MAIN VALVE Cv</b>
<b>0</b>	0.06 Cv MAX
<b>2</b>	0.2 Cv MAX
<b>5 6</b>	<b>O-RING MATERIAL</b>
<b>00</b>	BUNA-N
<b>01</b>	AFLAS®
<b>02</b>	VITON-A®
<b>05</b>	EPDM
<b>11</b>	KALREZ®
<b>12</b>	NITRILE, LO-TEMP
<b>7</b>	<b>HAND KNOB</b>
<b>1</b>	LOW PROFILE
<b>2</b>	FLUTED
<b>3</b>	T-HANDLE
<b>4</b>	ACORN NUT (tamper resistant)

*Vespel®, Kalrez®, and Viton® are registered trademarks of E.I. duPont de Nemours and Company  
Monel® is a registered trademark of Special Metals Corporation.*

*Contact factory for material certifications.  
Fees may apply.*

## 4700 SERIES

Two Stage, Piston Sensed, Fixed Flow  
Pressure Reducing Regulators



The Premier 4700 Series regulators are: compact, two stage, piston sensed, fixed pressure & flow, pressure reducing regulators. The compact, two-stage design, allows for precise and stable delivery pressures, even as the supply pressure decreases. Premier 4700 Series regulators are designed to control pressures up to 3000 PSIG (206.84 bar) (dependent upon configuration).

Commonly used for:

- Calibration gases
- Industrial hygiene monitors
- Research and development labs
- Regulating a broad range of media compatible with materials of construction.

## FEATURES

- Precise, stable delivery pressure and flow, even as supply pressure decreases
- Compact size (1.2 in. diameter x 4.6 in. high)
- Factory adjustable preset (fixed) flow settings
- Numerous porting configurations available
- 40 micron sintered 316 stainless steel integral inlet filter
- Models are available for both corrosive and non-corrosive service.
- Economical pricing
- Machined bar stock body, bonnet and pistons eliminates porosity found in castings
- Optional yoke style design

**SOME APPLICATIONS WILL REQUIRE A CUSTOM SOLUTION.**  
CONTACT PREMIER INDUSTRIES TO REQUEST A MODIFICATION  
OR A CUSTOM DESIGN.

## SPECIFICATIONS

- **MAXIMUM INLET PRESSURE:**
  - 3000 PSIG (206.84 bar)
- **CONSTANT FLOW PRESET:**
  - Per customer requirements
- **LEAK RATE:** Bubble Tight
- **INLET SHUT OFF VALVE:** None (*shown*)
  - Rotary/Multi-turn optional
  - Bayonet/Toggle optional

## MATERIALS OF CONSTRUCTION

- **BODY & BONNET:**
  - SAE 360 Brass
  - SAE 360 Brass, Nickel Plated
  - 303 Stainless
  - 6061-T6 Aluminum, Clear Anodized
- **PISTON:**
  - SAE 360 Brass
  - 303 Stainless Steel
- **PISTON SEALS:**
  - Viton®
  - Other elastomers available
- **VALVE SEAT:** PTFE
- **INLET FILTER:**
  - 40 micron sintered 316 Stainless Steel

## PORTING

- **INLET PORTING:**
  - C10 (5/8-18 UNF)
  - 1/8" FNPT
  - 1/8" MNPT,
  - 1/4" FNPT
  - 1/4" MNPT
- **OUTLET PORTING:**
  - 1/4" Hose barb
  - 3/16" Hose Barb
  - 1/8" Hose barb
  - 1/8" FNPT
  - 1/8" MNPT
  - 1/4" FNPT
  - 1/4" MNPT

## OPTIONS

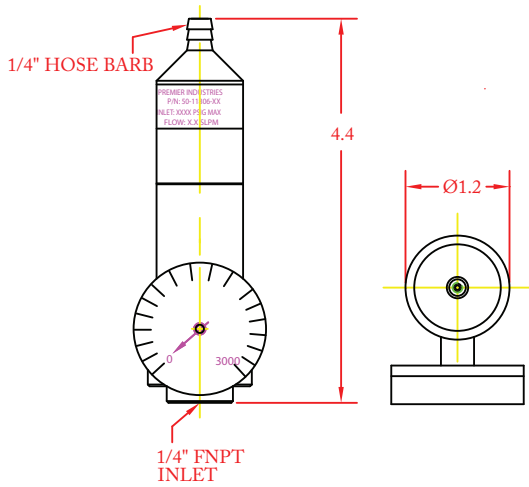
- Inlet and/or Outlet Gauges
- Anodized Colors for Aluminum Bodies and Bonnets
- Private Label
- CGA inlet connection
- Yokestyle design: *P/N 50-12523*

*Viton® is a registered trademark of E.I. duPont de Nemours and Company  
Contact factory for material certifications. Fees may apply.*

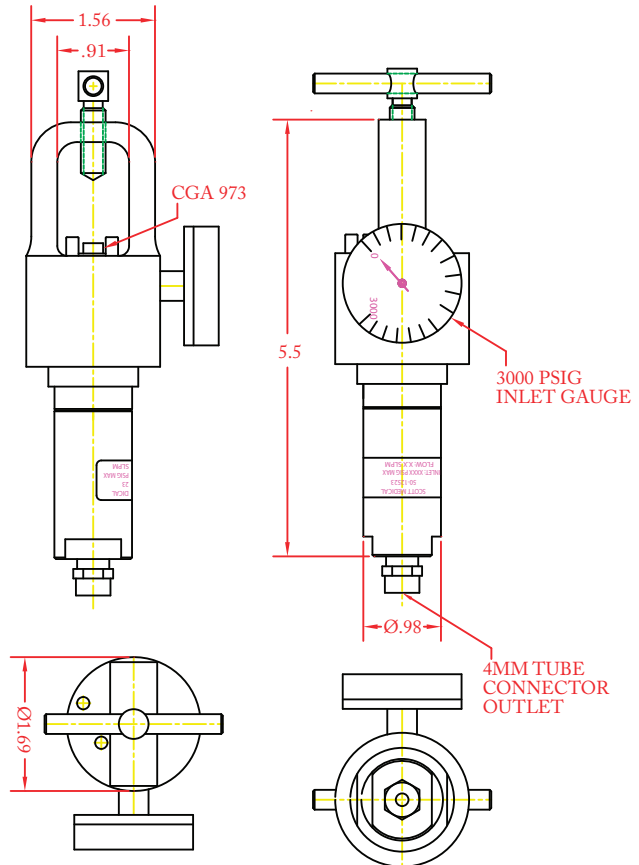
# 4700 SERIES

Two Stage, Piston Sensed, Fixed Flow Pressure Reducing Regulators

PART NUMBER: 50-11806



PART NUMBER: 50-12523



# 4902 SERIES

## Single Stage, Vacuum Actuated Demand Flow Regulator



Premier's patented, efficient, and easy to use 4902 Series demand flow regulators (also referred to as "sample regulators" and "vacuum actuated regulators") supply gas as demanded by an analyzer and automatically shut off. The highly sensitive, patented, single stage design allows for reduced testing time, permitting the flow of gas at less than one inch water column. Furthermore, the high flow capacity of the Premier 4902 Series demand flow regulator enables multiple analyzers to be tested on a single docking station.

Premier 4902 Series regulators offer great flexibility, available in 6061-T6 aluminum, nickel plated brass, and stainless steel, with a variety of: porting options, wetted materials, o-ring seals, elastomers, gauges, and other additional options.

Premier demand flow regulators make calibration quick and easy by eliminating the need for sample bags, flow meters, or special operator training; they also save on expensive calibration gases by only transferring as much gas as demanded by the instrument. Commonly used with: gas analyzers, portable gas detectors, calibration gases, instruments that use pump drawn calibration gases.

## FEATURES

- Compact size (3" diameter x 2.0" high)
- The unique high flow capability of the Premier 4902 Series design allows multiple analyzers on a single docking station.
- Patented single stage design (*patent no.: 8,550,113 B1*)
- Reduced particle contamination with 40 Micron stainless steel inlet filter
- Integral Relief Valve
- Versions available with integral C10 connections
- Versions available with stainless steel bodies and wetted components.
- Very competitive pricing
- Models are available for both corrosive and non-corrosive service
- Machined bar stock bodies eliminate porosity found in castings

**SOME APPLICATIONS WILL REQUIRE A CUSTOM SOLUTION.**  
CONTACT PREMIER INDUSTRIES TO REQUEST A MODIFICATION  
OR A CUSTOM DESIGN.

# 4902 SERIES

Single Stage, Vacuum Actuated  
Demand Flow Regulator

## SPECIFICATIONS

- **Flow:** 3.0 LPM @ 3" H<sub>2</sub>O,
  - up to 8LPM with increased vacuum
- **Maximum inlet pressure :**
  - 3000 PSIG (206.84 bar)  
*(with appropriate inlet connection)*

## MATERIALS OF CONSTRUCTION

- **BODY:**
  - 6061-T6 Aluminum, Clear Anodize *(Standard)*
  - 303 Stainless Steel
  - Brass, Nickel Plated
- **BONNET:** Aluminum, Clear Anodize
- **VALVE SEAT:** Viton® or EPDM and Teflon®
- **O-RING SEALS:**
  - Viton® *(Standard)*
  - EPDM
  - numerous other compounds available
- **DIAPHRAGM:**
  - Buna-N *(Standard)*
  - Viton®
- **INLET GAUGE:**
  - Brass Socket / Stainless Steel Case *(Standard)*
  - Stainless Steel Socket / Stainless Steel Case

## PORTING

- **INTEGRATED INLET PORTING OPTIONS:**
  - C10 integrated 1/4 FNPT, *(Standard)*
  - 1/4 FNPT
  - 1/8 FNPT
- **OPTIONAL INLET ADAPTER CONNECTIONS:**
  - C-10 (5/8-18 UNF)
  - CGA 180
  - CGA 350
  - CGA 330/660
  - CGA 580/590
  - CGA 600
- **INTEGRATED OUTLET PORTING OPTIONS:**
  - 1/8" FNPT *(Standard)*
- **OPTIONAL OUTLET ADAPTER CONNECTIONS:**
  - 3/16" hose barb *(Standard)*
  - 1/8" hose barb
  - 1/4" hose barb

## OPTIONS

- CGA Connections
- Optional hose barbs available in outlet
- Private Label

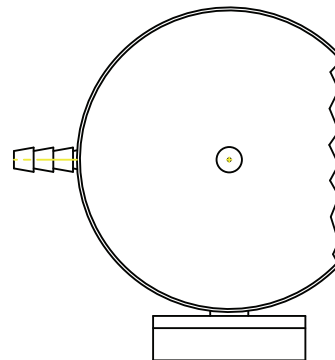
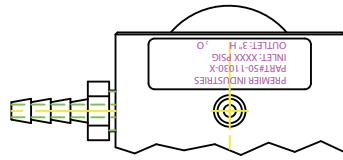
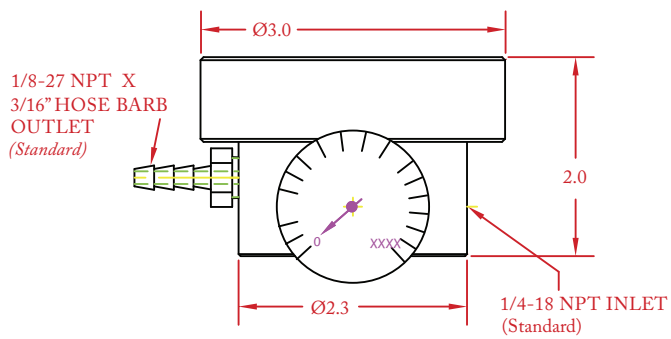
## ORDERING

- **Standard:** part number: 50-11030
- **Non-standard:** part number assigned per requirements

*Viton® and Teflon® are registered trademarks of E.I. duPont de Nemours and Company*

*Contact factory for material certifications. Fees may apply.*

PART NUMBER 50-11030





## 4903 SERIES

Compact, Single Stage, Vacuum Actuated  
Demand Flow Regulator



Patented Premier 4903 demand flow regulators save you time & money on calibrations by transferring the precise amount of gas required by a pump drawn instrument. As long as the pump is active, the regulator will remain “open” and gas will flow. When the pump stops, the regulator will turn off. The result? Less wasted gas, and lower calibration costs. These new vacuum actuated regulators are built with patented technology, eliminating the need for shut off valves, sample bags, or specially trained operators, making your calibrations quick & easy.

The compact and economical Premier 4903 regulator is available with a variety of body, diaphragm, and sealing materials to suit a variety of calibration gas requirements. Premier 4903 Series regulators permit reduced testing time, with their ability to begin flow of gas at <3” H<sub>2</sub>O vacuum.

Commonly used with: portable gas detectors, gas analyzers, calibration gases, and pump drawn instruments.

### FEATURES

- Compact size (2” diameter x 1.7” high)
- Patented single stage design  
(*patent no.: 8,550,113 B1*)
- Stainless steel body option with stainless wetted components provides minimum degradation to cylinder gases.
- Available for both corrosive and non-corrosive service
- Machined bar stock bodies eliminate porosity found in castings
- Reduced particle contamination with 40 Micron stainless steel inlet filter
- Very competitive pricing

**SOME APPLICATIONS WILL REQUIRE A CUSTOM SOLUTION.**  
CONTACT PREMIER INDUSTRIES TO REQUEST A MODIFICATION  
OR A CUSTOM DESIGN.

# 4903 SERIES

Compact, Single Stage, Vacuum Actuated  
Demand Flow Regulator

## SPECIFICATIONS

- **DEMAND PRESSURE:** < 3" H<sub>2</sub>O
- **MAX INLET :** 3000 PSIG  
*(with appropriate inlet connection)*
- **WEIGHT:**
  - 1.2 lbs  
*(Stainless Steel Body, Gauge, C10 connection  
& hose barb)*
  - 0.6 lbs  
*(Aluminum Body, Gauge, C10 connection  
& hose barb)*

## MATERIALS OF CONSTRUCTION

- **BODY OPTIONS:**
  - 303 Stainless Steel
  - 6061-T6 Aluminum, Clear Anodize
  - SAE 360 Brass, Nickel Plated
- **BONNET:**
  - 6061-T6 Aluminum, Clear Anodize
- **VALVE SEAT :**
  - PTFE *(Standard)*
- **O-RING SEAL OPTIONS:**
  - Viton® *(Standard)*
  - EPDM
  - numerous other compounds available
- **DIAPHRAGM OPTIONS:**
  - Buna-N *(Standard)*
  - Viton®
- **INLET GAUGE OPTIONS:**
  - Brass Socket / Stainless Steel Case *(Standard)*
  - Stainless Steel Socket / Stainless Steel Case

## PORTING

- **INTEGRATED INLET PORTING OPTIONS:**
  - 1/4 FNPT *(Standard)*
  - 1/8 FNPT
- **OPTIONAL INLET ADAPTER CONNECTIONS:**
  - C-10 (5/8-18 UNF) *(Standard)*
  - CGA 180
  - CGA 350
  - CGA 330/660
  - CGA 580/590
  - CGA 600
- **OUTLET PORTING OPTIONS:**
  - 3/16" hose barb *(Standard)*
  - 1/4" hose barb
  - 1/8" hose barb
  - 1/4" FNPT
  - 1/8" FNPT

## OPTIONAL ITEMS

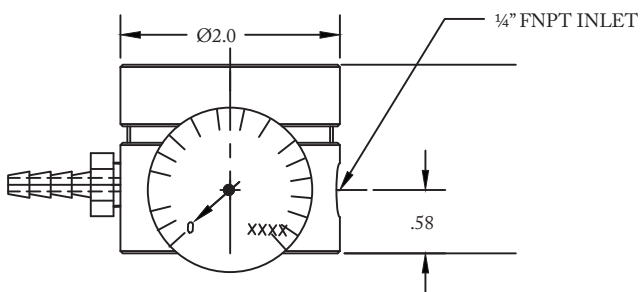
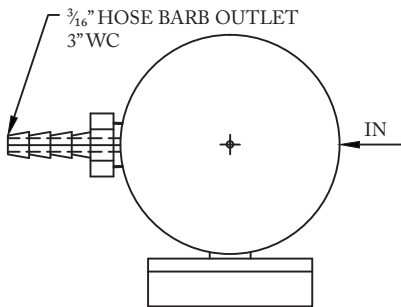
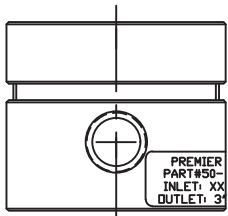
- CGA Connections
- Porting configuration
- Private label

## ORDERING

- **STANDARD:** part number: 50-12186
- **NON-STANDARD:** P/N assigned per requirements

*Viton® is a registered trademark of E.I. duPont de Nemours  
and Company*

PART NUMBER 50-12186-X



## 5000 SERIES

High Flow, High Pressure, Piston Sensed  
Pressure Reducing Regulators



The Premier 5000 Series regulators are high flow, piston sensed, pressure reducing regulators, designed for inlet pressures up to 4500 PSIG (*310.26 bar*), outlet pressures of 0-2500 PSIG (*0-172.37 bar*) with a Cv of 2.0 or 1.0.

Designs are available with adjustable or preset outlet pressures. Premier 5000 Series regulators are used to regulate to a broad range of non-corrosive and corrosive media (based on materials of construction).

### FEATURES

- High flow (Cv 2.0 or 1.0)
- 4500 PSIG (*310.26 bar*) max inlet
- Non-venting
- Very competitive pricing
- Machined bar stock body, bonnet and piston eliminates porosity found in castings

**SOME APPLICATIONS WILL REQUIRE A CUSTOM SOLUTION.**  
CONTACT PREMIER INDUSTRIES TO REQUEST A MODIFICATION  
OR A CUSTOM DESIGN.

# 5000 SERIES

High Flow, High Pressure, Piston Sensed  
Pressure Reducing Regulators

## SPECIFICATIONS

- **MAXIMUM INLET PRESSURE :**
  - 4500 PSIG (310.26 bar)
- **CONTROL PRESSURE RANGES:**
  - 0-850 PSIG (0-58.61 bar)
  - 0-2500 PSIG (0-172.37 bar)
- **Cv:** 2.0, 1.0
- **LEAK RATE :** Bubble tight

## MATERIALS OF CONSTRUCTION

- **BODY:** 303 Stainless Steel
- **BONNET:** 303 Stainless Steel
- **SEALS:**
  - Viton®
- **MAIN VALVE SEAT:** Vespel®
- **WETTED PARTS:** 300 Series Stainless Steel
- **HAND KNOB:** 6061-T6 Aluminum

## PORTING

- **INLET PORTING:**
  - 1/2-14 NPT
  - 1/4-18 FNPT
- **OUTLET PORTING:**
  - 1/2-14 NPT
  - 1/4-18 FNPT

## OPTIONS

- Private label
- Cv 1.0: P/N: 50-12403
- Cv 2.0: P/N: 50-11969

*Vespel® & Viton® are registered trademarks of E.I. duPont de Nemours and Company*

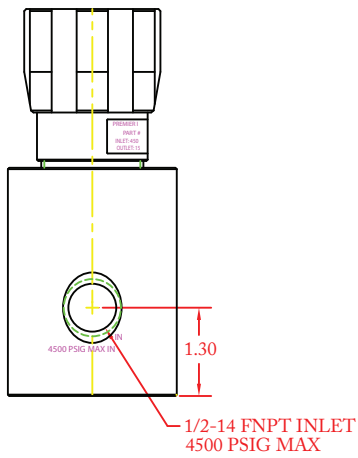
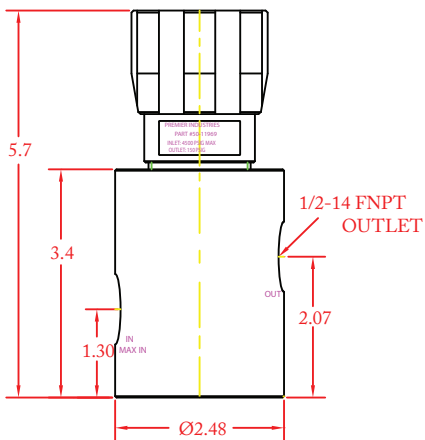
*Contact factory for material certifications. Fees may apply.*

# 5000 SERIES

High Flow, High Pressure, Piston Sensed  
Pressure Reducing Regulators

**PART NUMBER: 50-11969**  
(Cv 2.0)

**PART NUMBER: 50-12403**  
(Cv 1.0)



# 5033DL/5060DL SERIES

Dome Loaded, High Flow, High Pressure  
Pressure Reducing Regulators



Premier 5033DL/5060DL Series dome loaded, single stage, high flow, high pressure, piston sensed, pressure reducing regulators, rated for inlet and outlet pressures up to 10000 PSIG / 689.5 bar (*dependent upon configuration*), and Cv 3.3 or 6.0. The 5033DL/5060DL features an externally loaded 1:1 dome load. Optional external sensing port for improved accuracy.

## FEATURES

- Flow capacity (Cv): 3.3, 6.0
- 10000 PSIG (689.5 bar) max inlet pressure
- 1:1 dome load
- Optional external sensing port
- Economical pricing
- Machined bar stock body eliminates porosity found in castings

**SOME APPLICATIONS WILL REQUIRE A CUSTOM SOLUTION.**  
CONTACT PREMIER INDUSTRIES TO REQUEST A MODIFICATION  
OR A CUSTOM DESIGN.

## SPECIFICATIONS

- **MAXIMUM INLET PRESSURE:**
  - 10000 PSIG (690 BAR)\*  
*\*dependent upon configuration, see page 4*
- **MAXIMUM OUTLET PRESSURE:**
  - 10000 PSIG (690 BAR)\*  
*\*dependent upon configuration, see page 4*
- **FLOW (Cv):** 3.3 or 6.0

## MATERIALS OF CONSTRUCTION

- **BODY:**
  - 316 Stainless Steel
- **PISTON:**
  - 316 Stainless Steel
- **VALVE HOUSING:**
  - 17-4 Stainless Steel
- **MAIN VALVE SEAT OPTIONS:**
  - VESPEL® SP-1
  - PEEK®
- **O-RING OPTIONS:**
  - BUNA-N
  - Viton®
  - EPDM
  - Low-Temp Nitrile
- **BACK-UP RINGS:**
  - PTFE

## PORTING

- **INLET & OUTLET OPTIONS:**
  - 1/2 FNPT, SAE AS5202, SAE J1926 (Cv 3.3 only)
  - 9/16 Medium Pressure, High Pressure
  - 3/4 FNPT, SAE AS5202, SAE J1926, Medium Pressure, H.P.
  - 1" FNPT, SAE AS5202, SAE J1926, Medium Pressure, H.P.
  - 2" GRAYLOC 2GR14
  - 1.5" Medium Pressure
- **EXTERNAL SENSING PORT OPTIONS:**
  - 1/4 FNPT, AS5202, J1926
- **DOMESTIC PORT OPTIONS:**
  - 1/4 FNPT, SAE J1926, SAE AS5202\*\*  
*\*\* (SAE AS5202 supersedes MS33649)*

## OPTIONS

- Private Label

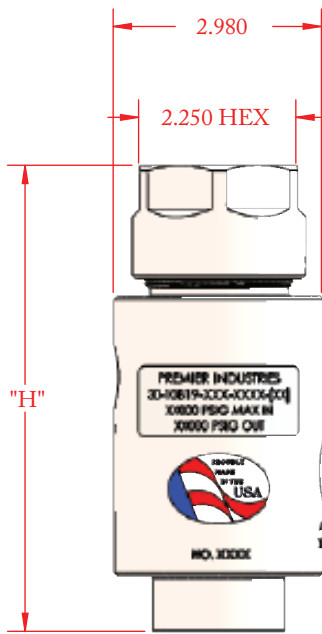
*Viton® and Vespel® are registered trademarks of E.I. du Pont de Nemours and Company.*

*PEEK® is a registered trademark of Victrex PLC*

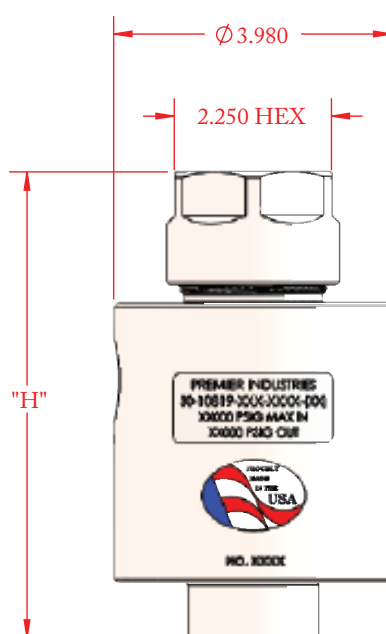
*Contact factory for material certifications. Fees may apply.*



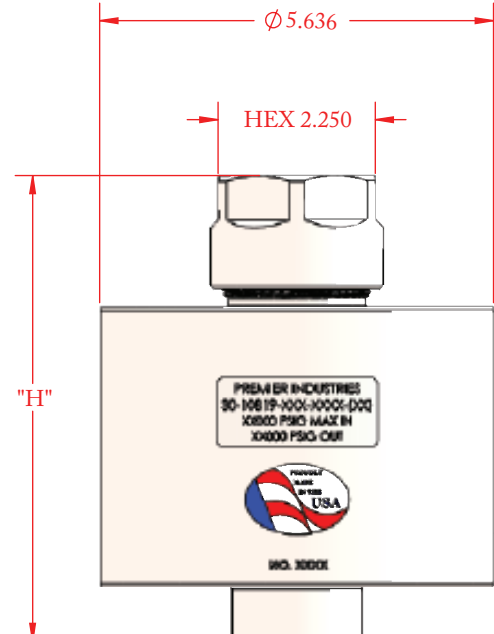
**PART NUMBER: 30-10819**



PORTS: 1/2" NPT



PORTS: 3/4" NPT, 1" NPT, 1/2" SAE J1926,  
1/2" AS5202, 3/4" SAE J1926, & 3/4" AS5202



PORTS: 1" SAE J1926 & 1" AS5202

PART NUMBER:	Cv	Height "H"
30-10819-XXX-XXX3	3.3	6.67"
30-10819-XXX-XXX6	6.0	6.87"

PART NUMBER:	-	1	2	3	-	4	5	6	7	-	MODS
30-10819	-				-					-	

1	SEAT MATERIAL OPTIONS
2	PEEK®
3	VESPEL SP-1®
2	O-RING MATERIAL OPTIONS
0	Buna-N
2	Viton®
5	EPDM
9	Low-Temperature Nitrile
3	BODY MATERIAL
1	316 Stainless Steel
4	PORT SIZE
1	1/2" <i>(Cv 3.3 only, not available in medium/high pressure)</i>
2	9/16" <i>(medium or high pressure only)</i>
3	3/4"
4	1"
5	2" <i>(Grayloc only)</i>
6	1.5" <i>(medium pressure only)</i>

5	PORT TYPE
1	NPT (10000 PSIG MAX/690 BAR)
2	SAE J1926 (6000 PSIG MAX/414 BAR)
3	SAE AS5202 (6000 PSIG MAX/414 BAR)
4	MEDIUM PRESSURE (10000 PSIG MAX/690 BAR)
5	HIGH PRESSURE (10000 PSIG MAX/690 BAR)
6	GRAYLOC 2GR14 (6000 PSIG MAX/414 BAR)
6	DOMES PORT OPTIONS
1	1/4" FNPT
2	1/4" SAE J1926
3	1/4" SAE AS5202
7	Cv RATING:
3	3.3
6	6.0

MODIFICATIONS	
BLANK	None
S1	1/4" FNPT external sensing port
S2	1/4" SAE J1926 external sensing port
S3	1/4" SAE AS5202 external sensing port

*Viton® and Vespel® are registered trademarks of E.I. duPont de Nemours and Company.*

*PEEK® is a registered trademark of Victrex PLC*

*Contact factory for material certifications. Fees may apply.*

# 5050 SERIES

High Flow, Piston Sensed  
Pressure Reducing Regulators



Premier 5050 Series, single stage, high flow, piston sensed, pressure reducing regulators, designed for inlet pressures up to 1000 PSIG (68.95 bar) and Cv 5.0.

## FEATURES

- Flow capacity (Cv): 5.0
- 1000 PSIG (68.95 bar) max inlet pressure
- Balanced stem for increased outlet pressure stability
- Optional preset outlet pressures
- Economical pricing
- Non-venting and self-venting models available
- Compact size
- Machined bar stock body eliminates porosity found in castings

**SOME APPLICATIONS WILL REQUIRE A CUSTOM SOLUTION.**  
CONTACT PREMIER INDUSTRIES TO REQUEST A MODIFICATION  
OR A CUSTOM DESIGN.

# 5050 SERIES

High Flow, Piston Sensed  
Pressure Reducing Regulators

## SPECIFICATIONS

- **MAXIMUM INLET PRESSURE:**
  - 1000 PSIG (68.95 bar)
- **PRESET OUTLET PRESSURE (50-12560):**
  - 100 psig (6.89 bar)
- **OUTLET PRESSURE RANGE (50-12860 & 50-13144)**
  - 0-25 psig (0-1.72 bar)
  - 0-50 psig (0-3.45 bar)
  - 0-100 psig (0-6.89 bar)
  - 0-150 psig (0-10.34 bar)
  - 0-200 psig (0-13.79 bar)
  - 0-350 psig (0-24.13 bar) *P/N 50-12680 only*
- **FLOW (Cv):** 5.0

## MATERIALS OF CONSTRUCTION

- **BODY MATERIAL OPTIONS:**
  - 303 Stainless Steel
  - 316 Stainless Steel
  - 6061-T6 Aluminum (Clear Anodize)
  - Monel 400® (50-12560 only)
- **MAIN VALVE SEAT OPTIONS:**
  - Buna-N
  - Viton®
  - PTFE
- **O-RING SEAL OPTIONS:**
  - Buna-N
  - Viton®
  - Kalrez®
  - EPDM

## PORTING

- **INLET OPTIONS:**
  - 1" FNPT
  - 3/4" FNPT
- **INLET OPTIONS:**
  - 1" FNPT
  - 3/4" FNPT

## OPTIONS

- Private labeling
- Panel mounting bracket

*Viton® and Kalrez® are registered trademarks of E.I. duPont de Nemours and Company*

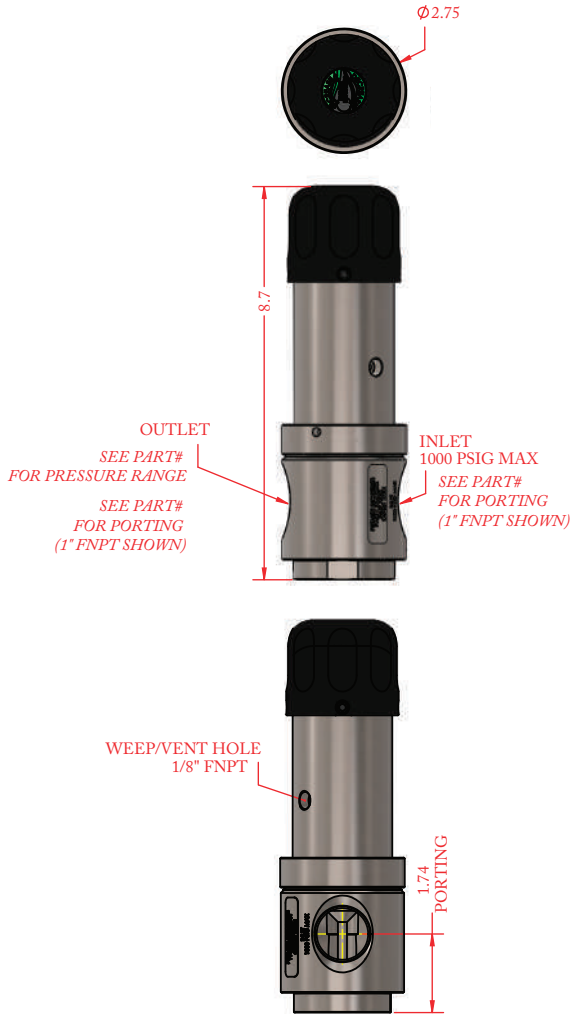
*Monel® is a registered trademark of Special Metals Corporation*

*Contact factory for material certifications. Fees may apply.*

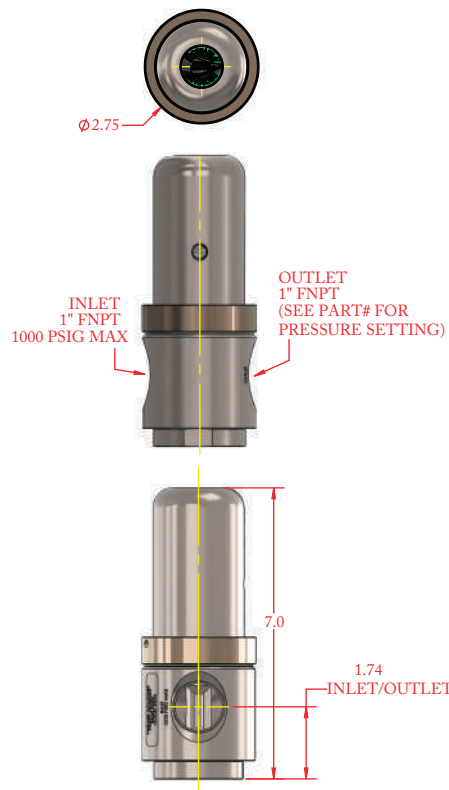
# 5050 SERIES

High Flow, Piston Sensed  
Pressure Reducing Regulators

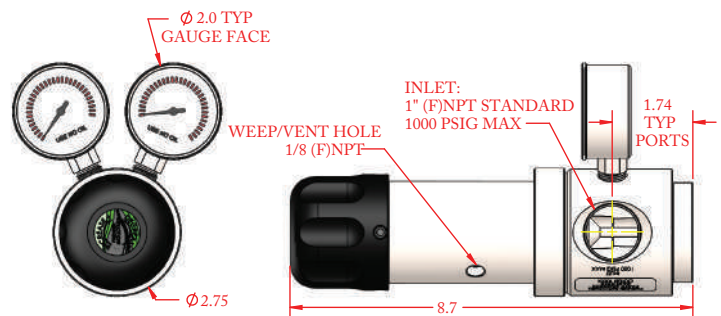
**PART NUMBER: 50-12860**



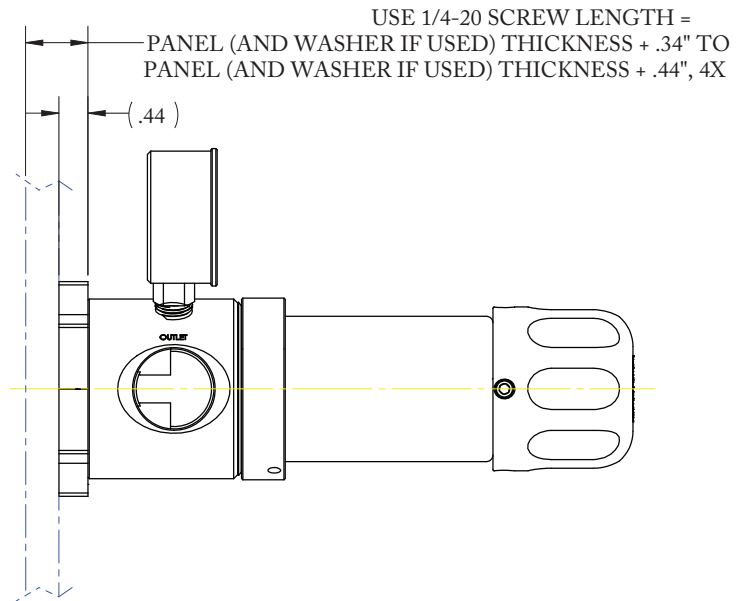
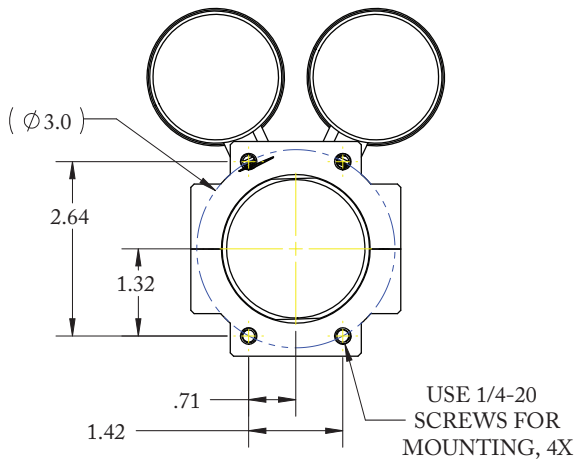
**PART NUMBER: 50-12560**



**PART NUMBER: 50-12860 / 50-13144**

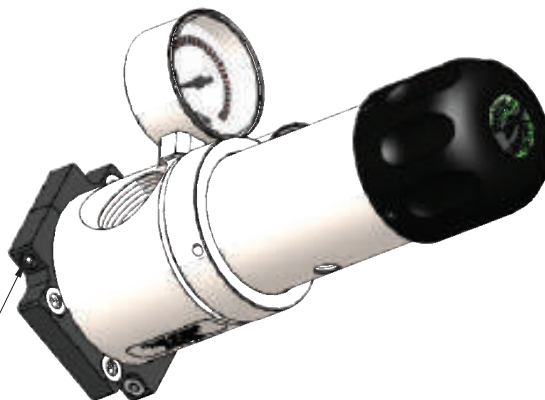


**MOUNTING BRACKET OPTION DETAIL:  
PART# 50-12860-XX-XX-X-B**



*NOTE: RELATIVE MOUNTING DIMENSIONS  
SHOWN.  
MOUNTING HOLES ARE POSITIONAL ABOUT  
AXIS BY LOOSENING SIDE SCREWS,  
ROTATING BRACKET, AND RETIGHTENING.*

SIDE SCREWS, 2X  
LOOSEN TO RE-ORIENT  
BRACKET, THEN RE-TIGHTEN  
TO SECURE REGULATOR



PART #	-	1	2	-	XXX	-	MODS
50-12560	-			-		-	

**PRESET OUTLET PRESSURE,  
NON-VENTING**

1	BODY / PROCESS WETTED COMPONENT MATERIALS
1	303 Stainless Steel Body / 316 Stainless Steel Valve Spring
2	316 Stainless Steel Body / 316 Stainless Steel Valve Spring
3	Monel 400® Body Elgiloy® valve & load springs*
4	Aluminum, Clear Anodize 316 Stainless Steel Valve Spring & 300 Series main valve components
<p><i>*NON-STANDARD NON-WETTED COMPONENTS USED FOR MONEL CONFIGURATION LOAD SPRING IS ELGILOY AND ALL OTHER NON-WETTED COMPONENTS ARE 316SS</i></p>	
2	SEALS / SEAT MATERIAL
1	Buna-n
2	Viton®

**PRESET OUTLET PRESSURE**

Specify preset outlet pressure setting in  
“XXX” psig. 100 psig maximum setting.

*(Examples, use “025” for 25 psig outlet setting,  
“075” is 75 psig outlet setting)*

Outlet setting will be made at maximum rated  
inlet pressure unless specified otherwise when  
ordered.

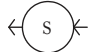

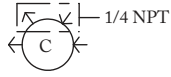
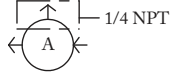
**MODIFICATIONS**  
*(Include all applicable)*

BLANK	Standard porting/ no gauges
A	3/4 FNPT process ports
B	Include gauge ports (1/4 FNPT) / no gauges
C	Include gauge ports with gauges installed

*Viton® is a registered trademark of E.I.duPont de Nemours and Company  
Monel® is a registered trademark of E.I.duPont de Nemours and Company*

PART #	-	1	2	-	3	4	-	5	-	MODS
50-12860	-			-			-		-	

**HAND LOADED, NON-VENTING**

1	BODY / BONNET /BACK CAP MATERIAL / FINISH
1	303 Stainless Steel, <i>Cleaned per PI #515</i>
2	316 Stainless Steel, <i>Cleaned per PI #515</i>
3	6061-T6 Aluminum, <i>Clear Anodize</i>
2	SEAT / SEAL MATERIAL
1	BUNA-N (SEAT AND SEAL)
2	VITON® (SEAT AND SEAL)
3	PTFE / KALREZ® <i>(contact factory for pricing)</i>
4	PTFE / EPDM
3	PORTING
1	
2	
3	
4	

4	GAUGES
0	No gauges
1	Include gauges <i>(not available on S/S* porting)</i>
5	OUTLET PRESSURE RANGE
1	0-25 PSIG (0-1.72 bar)
2	0-50 PSIG (0-3.45 bar)
3	0-100 PSIG (0-6.89 bar)
4	0-150 PSIG (0-10.34 bar)
5	0-200 PSIG (0-13.79 bar)
6	0-350 PSIG (0-24.13 bar)
MODIFICATIONS	
BLANK	NONE
B	MOUNT, BRACKET

*Viton® and Kalrez® are registered trademarks of  
E.I. duPont de Nemours and Company*



## 5050DL SERIES

High Flow, Dome Loaded  
Pressure Reducing Regulators



Premier 5050DL Series dome loaded, single stage, high flow, diaphragm sensed, pressure reducing regulators, designed for inlet pressures up to 1000 PSIG (*68.95 bar*), and Cv 5.0. The 5050DL features a 1:1 dome load with a max load pressure of 100 PSIG (*6.89 bar*). Balanced stem design significantly reduces supply pressure effect.

### FEATURES

- Flow capacity (Cv): 5.0
- 1000 PSIG (*68.95 bar*) max inlet pressure
- Balanced stem for increased outlet pressure stability
- Diaphragm sensed
- 1:1 dome load
- Economical pricing
- Compact size
- Non-venting
- Machined bar stock body eliminates porosity found in castings

**SOME APPLICATIONS WILL REQUIRE A CUSTOM SOLUTION.**  
CONTACT PREMIER INDUSTRIES TO REQUEST A MODIFICATION  
OR A CUSTOM DESIGN.

## SPECIFICATIONS

- **MAXIMUM INLET PRESSURE:**
  - 1000 PSIG (68.95 bar)
- **OUTLET PRESSURE RANGE:**
  - 0-100 PSIG (0-6.89 bar)
- **MAX DOME LOAD:** 110 PSIG (7.58 bar)
- **LOAD RATIO:** 1:1\*\*  
*\*\* an additional 3-5 psig dome load is required to maintain a 1:1 outlet pressure to dome load ratio.*
- **FLOW (Cv):** 5.0

## MATERIALS OF CONSTRUCTION

- **BODY, BONNET, BACK CAP:**
  - 316 Stainless Steel
  - 303 Stainless Steel
  - 6061-T6 Aluminum, Clear Anodize
- **DIAPHRAGM:**
  - Buna-N
- **DIAPHRAGM PLATE:**
  - 316 Stainless Steel
- **MAIN VALVE SEAT:**
  - Buna-N
- **MAIN VALVE:**
  - 316 Stainless Steel
- **O-RINGS:**
  - Buna-N

## PORTING

- **STANDARD INLET:**
  - 1" FNPT
- **STANDARD OUTLET:**
  - 1" FNPT
- **DOME LOAD PORT:**
  - 1/4" FNPT

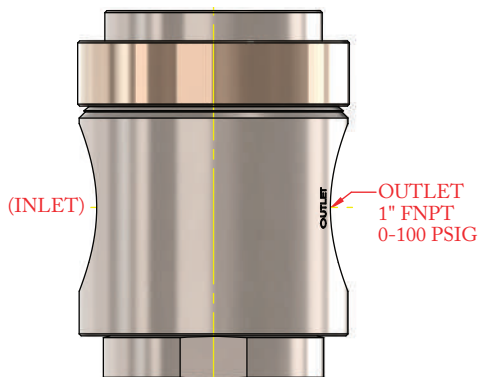
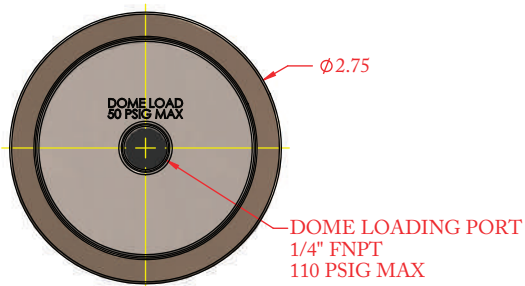
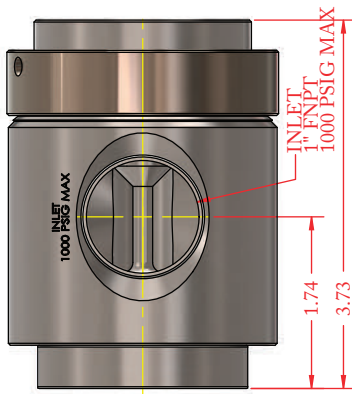
## OPTIONS

- Private labeling
- Dome loaded bias design
- Spring loaded design
- Air loaded design

# 5050DL SERIES

High Flow, Dome Loaded  
Pressure Reducing Regulators

PART NUMBER: 50-12456



# 5050DL SERIES

High Flow, Dome Loaded  
Pressure Reducing Regulators

<b>PART #</b>	-	<b>1</b>
50-12456	-	

<b>1</b>	<b>BODY MATERIAL &amp; FINISH</b>
<b>1</b>	6061-T6 Aluminum, <i>Clear Anodize</i>
<b>2</b>	303 Stainless Steel, <i>Cleaned per spec #515</i>
<b>3</b>	316 Stainless Steel, <i>Cleaned per spec #515</i>
<i>Contact facility for other material options.</i>	

*Contact factory for material certifications. Fees may apply.*

## 5050DLB SERIES

High Flow, Dome Loaded / Bias Spring  
Pressure Reducing Regulators



Premier 5050DLB Series dome loaded / bias spring, single stage, high flow, piston sensed, pressure reducing regulators. Premier 5050DLB Series regulator feature inlet pressures up to 1000 PSIG (*68.95 bar*), Cv 5.0, maximum dome load of 200 PSIG (*13.79 bar*) and a preset bias pressure. 5050DLB Series regulators are designed for tracking applications, where a constant differential pressure is desired.

### FEATURES

- Flow capacity (Cv): 5.0
- 1000 PSIG (*68.95 bar*) max inlet pressure
- Adjustable spring bias pressure
- Non-venting
- Compact size
- Machined bar stock body eliminates porosity found in castings

**SOME APPLICATIONS WILL REQUIRE A CUSTOM SOLUTION.**  
CONTACT PREMIER INDUSTRIES TO REQUEST A MODIFICATION  
OR A CUSTOM DESIGN.

## SPECIFICATIONS

- **MAXIMUM INLET PRESSURE:**
  - 1000 PSIG (68.95 bar)
- **MAX DOME LOAD:**
  - 200 PSIG (13.79 bar)
- **MAX BIAS PRESSURE:**
  - 200 PSIG (13.79 bar)
- **OUTLET PRESSURE:**
  - dome load pressure + bias pressure
- **FLOW (Cv):** 5.0

## MATERIALS OF CONSTRUCTION

- **BODY, BONNET, BACK CAP:**
  - 316 Stainless Steel
  - 303 Stainless Steel
  - 6061-T6 Aluminum, Clear Anodize
- **PISTON:**
  - 316 Stainless Steel
  - 303 Stainless Steel
  - SAE 360 Brass
- **MAIN VALVE SEAT:**
  - Buna-N
- **MAIN VALVE:**
  - 316 Stainless Steel
- **O-RINGS:**
  - Buna-N
- **DOME LOAD BIAS SPRING:**
  - 302 Stainless Steel

## PORTING

- **STANDARD INLET:**
  - 1" FNPT\*
- **STANDARD OUTLET:**
  - 1" FNPT\*
- **DOME LOAD PORT:**
  - 1/8" FNPT

*\*See modifications list on page 3 for 1/2" in/out port mod.*

## OPTIONS

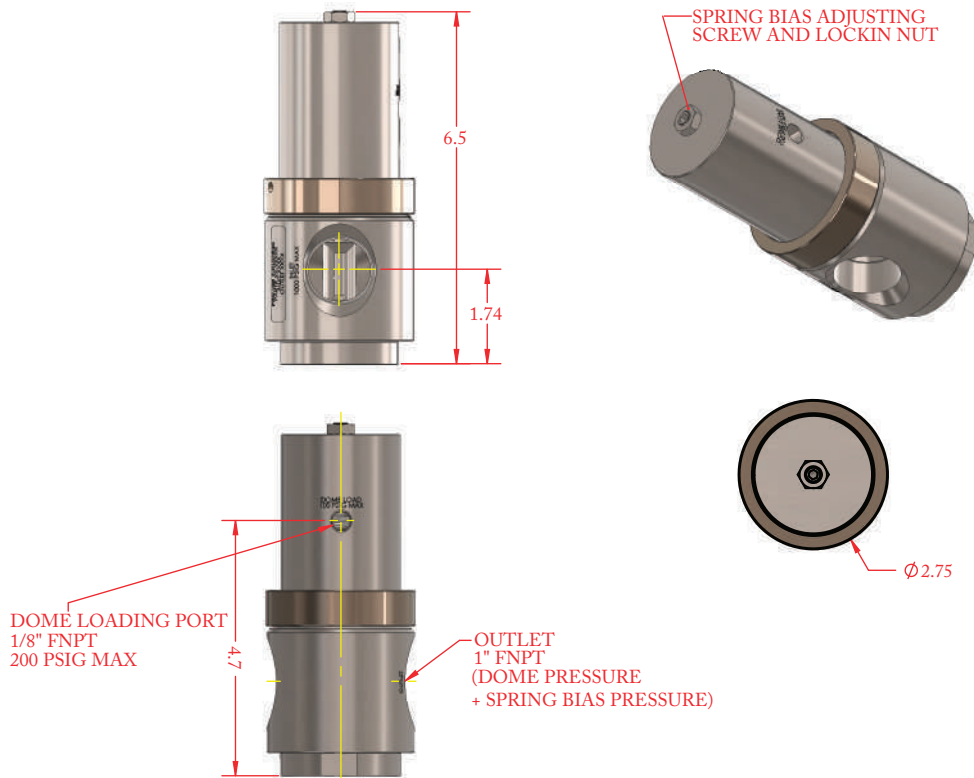
- Private labeling

Contact factory for material certifications. Fees may apply.

# 5050DLB SERIES

High Flow, Dome Loaded / Bias Spring  
Pressure Reducing Regulators

PART NUMBER: 50-12510



# 5050DLB SERIES

High Flow, Dome Loaded / Bias Spring  
Pressure Reducing Regulators

PART #	-	1	-	2 3	-	MODS
50-12510	-		-		-	

1	BODY/BONNET/BACK CAP MATERIAL & FINISH
1	6061-T6 Aluminum, <i>Clear Anodize</i>
2	303 Stainless Steel, <i>Cleaned per spec #515</i>
3	316 Stainless Steel, <i>Cleaned per spec #515</i>

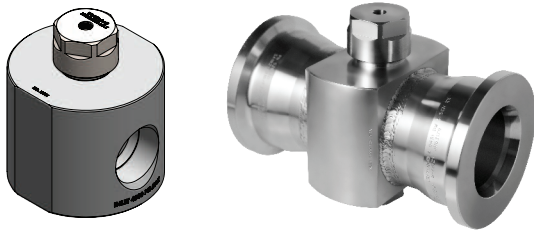
Contact factory for material certifications. Fees may apply.

2 3	SPRING BIAS
Specify spring bias pressure in "XX" psig (Examples, '05" is 5 psig spring bias, '12' is 12 psig spring bias. Note: max bias pressure: 200 psig/13.79 bar)	
MODIFICATIONS	
BLANK	standard configuration
12	1/2" FNPT process ports
G	1/4" FNPT inlet/outlet gauges



# 50120DL SERIES

Dome Loaded, High Flow  
Shut Off Valves



Premier 50120DL Series dome loaded, single stage, high flow, piston sensed, pressure reducing regulators, designed for inlet pressures up to 6000 PSIG (*413.69 bar*), and Cv 12.0. The 50120DL features an externally loaded 1:1 dome load with a max outlet pressure of 6000 PSIG (*413.69 bar*).

## FEATURES

- Flow capacity (Cv): 12.0
- 6000 PSIG (*413.69 bar*) max inlet pressure
- Piston Sensed
- 1:1 Dome load
- Economical pricing
- Machined bar stock body eliminates porosity found in castings
- Optional external sensing port

**SOME APPLICATIONS WILL REQUIRE A CUSTOM SOLUTION.**  
CONTACT PREMIER INDUSTRIES TO REQUEST A MODIFICATION  
OR A CUSTOM DESIGN.

## SPECIFICATIONS

- **MAXIMUM INLET PRESSURE:**
  - 6000 PSIG (413.69 bar)
- **MAXIMUM OUTLET PRESSURE:**
  - 6000 PSIG (413.69 bar)
- **FLOW (Cv):** 12.0

## MATERIALS OF CONSTRUCTION

- **BODY:**
  - 316 Stainless Steel
- **BONNET:**
  - 17-4 Stainless Steel
- **PISTON:**
  - 316 Stainless Steel
- **MAIN VALVE:**
  - 17-4 Stainless Steel
- **MAIN VALVE SEAT:**
  - PEEK®
  - Vespel®
  - PCTFE (4000 PSIG MAX)
- **O-RING SEAL OPTIONS:**
  - Viton®
  - Buna-N
  - EPDM
- **BACK-UP RING:**
  - PTFE

## PORTING

- **INLET/OUTLET OPTIONS:**
  - GRAYLOC 2" GR14 (WELDED)
  - GRAYLOC 2" GR20 (WELDED)
  - GRAYLOC 2" GR20 (NPT)
  - 1" FNPT
  - 1.5" FNPT
  - 2" FNPT
  - 3/4" FNPT (DERATES CV)
  - 1" SAE AS5202\*
  - 2" SAE AS5202\*
  - 1" SAE J1926
  - 2" SAE J1926
- \*SAE AS5202 supersedes MS33649*
- **DOMEST PORT OPTIONS:**
  - 1/4" FNPT
  - 1/4" SAE AS5202
  - 1/4" SAE J1926

## OPTIONS

- Private Label
- External sensing port
- Surface mount

*Viton® and Vespel® are registered trademarks of E.I. duPont de Nemours and Company.*

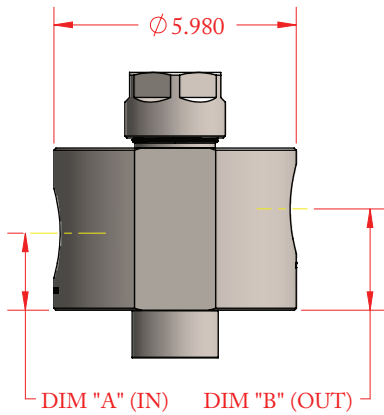
*PEEK® is a registered trademark of Victrex PLC*

*Contact factory for material certifications. Fees may apply.*

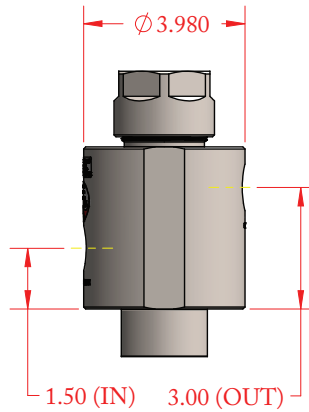
**PART NUMBER: 30-10638**

*Shown below with FNPT ports*

**STANDARD CONFIGURATIONS**

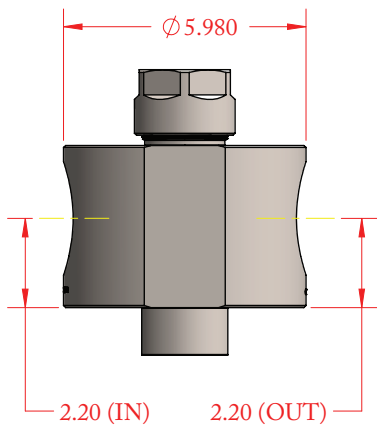


**SMALL BODY**



*Part Number: 30-10638-XXX-92*

**IN-LINE PORTS**



*Part Number: 30-10638-XXX-32 (SHOWN)*

*Part Number: 30-10638-XXX-23*

# 50120DL SERIES

Dome Loaded, High Flow  
Shut Off Valves

PART #	-	1	2	3	-	4	5	-	MODS
30-10638	-				-			-	

1	SEAT MATERIAL
1	Vespel SP-1®
2	PEEK®
3	PCTFE (4000 PSIG MAX)
2	O-RING MATERIAL
1	Buna-N
2	Viton®
3	EPDM
3	DOME PORT
1	1/4" FNPT
2	1/4" SAE J1926
3	1/4" SAE AS5202

4	5	INLET/OUTLET PORT SIZE/TYPE
1	1	GRAYLOC 2" GR14 (WELDED)
2	1	GRAYLOC 2" GR20 (WELDED)
3	1	GRAYLOC 2" GR20 (NPT)
1	2	1" FNPT
2	2	1.5" FNPT
3	2	2" FNPT
9	2	3/4" FNPT (DERATES CV)
1	3	1" SAE AS5202
2	3	2" SAE AS5202
1	4	1" SAE J1926
2	4	2" SAE J1926)

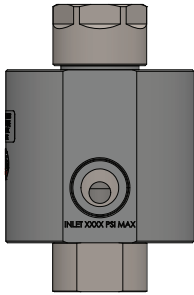
MODIFICATIONS	
BLANK	NONE
E1	1/4" FNPT external sensing port
E2	1/4" SAE J1926 external sensing port
E3	1/4" SAE AS5202 external sensing port
SM	Surface mount

*Viton® and Vespel® are registered trademarks of E.I. duPont de Nemours and Company. PEEK® is a registered trademark of Victrex PLC*

*Contact factory for material certifications. Fees may apply.*

## 50200DL SERIES

Dome Loaded, High Flow, High Pressure  
Pressure Reducing Regulators



Premier 50200DL Series dome loaded, single stage, high flow, high pressure, piston sensed, pressure reducing regulators, rated for inlet and outlet pressures up to 6000 PSIG / 413.7 bar (*dependent upon configuration*), and Cv 20.0. The 50200DL features an externally loaded 1:1 dome load. Optional external sensing port for improved accuracy.

### FEATURES

- Flow capacity (Cv): 20.0
- 6000 PSIG (689.5 bar) max inlet pressure
- 1:1 dome load
- Optional external sensing port
- Economical pricing
- Machined bar stock body eliminates porosity found in castings

**SOME APPLICATIONS WILL REQUIRE A CUSTOM SOLUTION.**  
CONTACT PREMIER INDUSTRIES TO REQUEST A MODIFICATION  
OR A CUSTOM DESIGN.

## SPECIFICATIONS

- **MAXIMUM INLET PRESSURE:**
  - 6000 PSIG (413.7 BAR)\*  
*\*dependent upon configuration*
- **MAXIMUM OUTLET PRESSURE:**
  - 6000 PSIG (413.7 BAR)\*  
*\*dependent upon configuration*
- **FLOW (Cv):** 20.0
- **TEMPERATURE:** -20° TO 100°F (-29° TO 38°C)

NOTE: MAX PRESSURE DERATED  
FROM 6000 TO 5000 PSI AND 3600 TO  
3000 PSI FOR TEMPERATURES BETWEEN  
100° & 200°F (38° & 93°C)

## MATERIALS OF CONSTRUCTION

- **BODY:**
  - 316 Stainless Steel
- **BONNET:**
  - 17-4 PH Stainless Steel
- **PISTON:**
  - 316 Stainless Steel
- **VALVE HOUSING:**
  - 17-4 PH Stainless Steel
- **MAIN VALVE SEAT OPTIONS:**
  - VESPEL SP-1®
  - PEEK®
  - PCTFE (3500 MAX)
- **O-RING OPTIONS:**
  - BUNA-N
  - Viton®
  - EPDM
- **BACK-UP RING OPTIONS:**
  - BUNA-N
  - Viton®
  - EPDM

## PORTING

- **PORTING OPTIONS:**
  - 1.5" FNPT (6000 PSI MAX)
  - 2.5" GR 25 GRAYLOC HUBS (3600 PSI MAX)
  - 2.5" GR 20 GRAYLOC HUBS (6000 PSI MAX)
  - 2.5" 1500# RF FLANGES (3600 PSI MAX)
  - 2.5" 2500# RF FLANGES (6000 PSI MAX)
- **EXTERNAL SENSING PORT OPTIONS:**
  - 1/4" FNPT
  - 1/4" J1926
  - 1/4" AS5202\*\*
- **DOMEST PORT OPTIONS:**
  - 1/4" FNPT
  - 1/4" SAE J1926
  - 1/4" SAE AS5202\*\*

\*\**(SAE AS5202 supersedes MS33649)*

## OPTIONS

- Private Label

*Viton® and Vespel® are registered trademarks of E.I. duPont  
de Nemours and Company.*

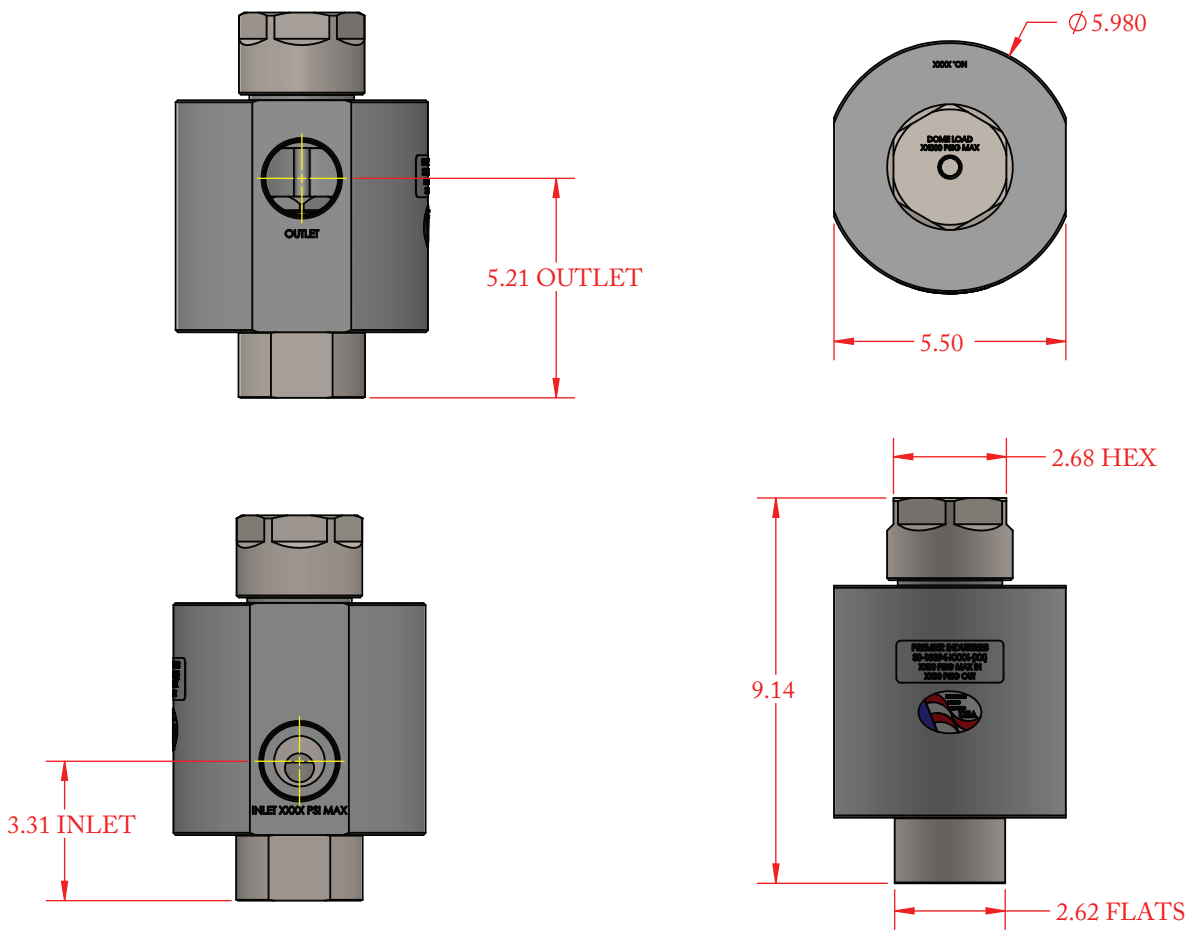
*PEEK® is a registered trademark of Victrex PLC*

*Contact factory for material certifications. Fees may apply.*

# 50200DL SERIES

Dome Loaded, High Flow, High Pressure  
Pressure Reducing Regulators

**PART NUMBER: 30-10819**  
(1.5" NPT PORTS SHOWN BELOW)



# 50200DL SERIES

Dome Loaded, High Flow, High Pressure  
Pressure Reducing Regulators

PART NUMBER:	-	1	2	3	4	-	MODS
30-10894	-					-	

1	SEAT MATERIAL OPTIONS
1	VESPEL SP-1®
2	PEEK®
3	PCTFE (3600 PSI MAX)
2	O-RING/BACK-UP RING MATERIAL OPTIONS
0	Buna-N
2	Viton®
5	EPDM
3	PORT SIZE
1	2.5" GR 25 GRAYLOC HUBS (3600 PSI MAX)
2	2.5" GR 20 GRAYLOC HUBS (6000 PSI MAX)
3	2.5" 1500# RF FLANGES (3600 PSI MAX)
4	2.5" 2500# RF FLANGES (6000 PSI MAX)
5	1.5" NPT (6000 PSI MAX)

4	DOME PORT OPTIONS
1	1/4" FNPT
2	1/4" SAE J1926
3	1/4" SAE AS5202
MODIFICATIONS	
BLANK	None
E1	1/4" NPT EXT. SENSE PORT
E2	1/4" J1926 EXT. SENSE PORT
E3	1/4" AS5202 EXT. SENSE PORT

*Viton® and Vespel® are registered trademarks of E.I. duPont de Nemours and Company.*

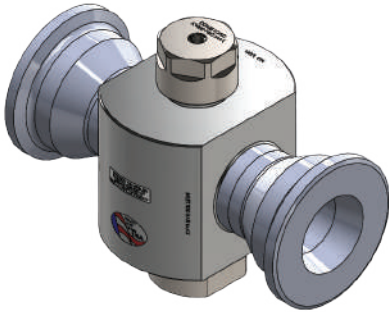
*PEEK® is a registered trademark of Victrex PLC*

*Contact factory for material certifications. Fees may apply.*



# 50300DL SERIES

Dome Loaded, High Flow  
Pressure Reducing Regulators



Premier 50300DL Series dome loaded, single stage, high flow, piston sensed, pressure reducing regulators, rated for inlet and outlet pressures up to 6000 PSIG / 413.7 bar (dependent upon configuration), and Cv 30.0. The 50300DL features an externally loaded 1:1 dome load. Optional external sensing port for improved accuracy.

## FEATURES

- Flow capacity (Cv): 30.0
- 6000 PSIG (413.7 bar) max inlet pressure
- 1:1 dome load
- Optional external sensing port
- Economical pricing
- Machined bar stock body eliminates porosity found in castings

**SOME APPLICATIONS WILL REQUIRE A CUSTOM SOLUTION.**  
CONTACT PREMIER INDUSTRIES TO REQUEST A MODIFICATION  
OR A CUSTOM DESIGN.

## SPECIFICATIONS

- **MAXIMUM INLET PRESSURE:**
  - 6000 PSIG (413.7 BAR)
- **MAXIMUM OUTLET PRESSURE:**
  - 6000 PSIG (413.7 BAR)
- **FLOW (C<sub>v</sub>):** 30.0
- **TEMPERATURE:** -20° TO 100°F (-29° TO 38°C)

**NOTE: MAX PRESSURE DERATED FROM 6000 TO 5000 PSI AND 3600 TO 3000 PSI FOR TEMPERATURES BETWEEN 100° & 200°F (38° & 93°C)**

## MATERIALS OF CONSTRUCTION

- **BODY:**
  - 316 Stainless Steel
- **BONNET:**
  - 17-4 PH Stainless Steel
- **PISTON:**
  - 316 Stainless Steel
- **VALVE HOUSING:**
  - 17-4 PH Stainless Steel
- **MAIN VALVE SEAT OPTIONS:**
  - VESPEL SP-1®
  - PEEK®
  - PCTFE (3600 PSI MAX)
- **O-RING OPTIONS:**
  - BUNA-N
  - Viton®
  - EPDM
- **BACK-UP RING OPTIONS:**
  - BUNA-N
  - Viton®
  - EPDM

*Viton® and Vespel® are registered trademarks of E.I. duPont de Nemours and Company.*

*PEEK® is a registered trademark of Victrex PLC*

*Contact factory for material certifications. Fees may apply.*

## PORTING

- **INLET & OUTLET OPTIONS:**
  - 2.5" GR 25 GRAYLOC HUBS (3600 PSI MAX)
  - 2.5" GR 20 GRAYLOC HUBS (6000 PSI MAX)
  - 2.5" 1500# RF FLANGES (3600 PSI MAX)
  - 2.5" 2500# RF FLANGES (6000 PSI MAX)
- **EXTERNAL SENSING PORT OPTIONS:**
  - 1/4" FNPT
  - 1/4" SAE J1926
  - 1/4" SAE AS5202\*\*
- **DOME PORT OPTIONS:**
  - 1/4" FNPT
  - 1/4" SAE J1926
  - 1/4" SAE AS5202\*\*

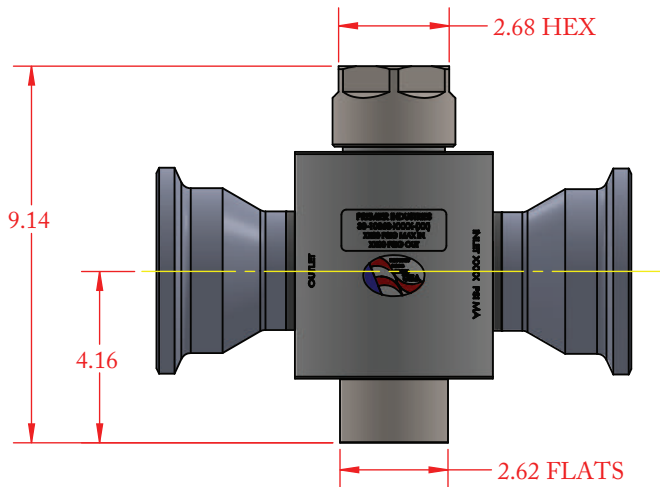
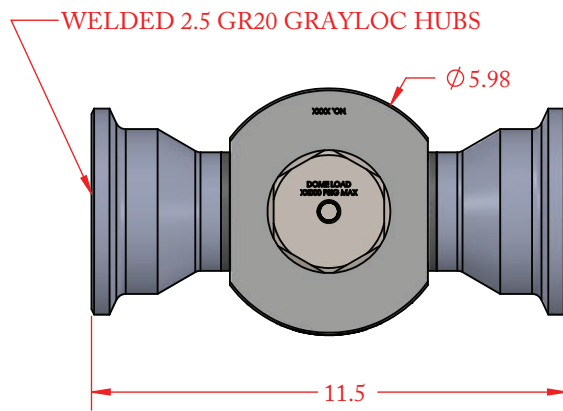
*\*\* (SAE AS5202 supersedes MS33649)*

## OPTIONS

- Private Label

**PART NUMBER: 30-10868**

*Shown below with 2.5 GR 25 GRAYLOC HUBS*



# 50300DL SERIES

Dome Loaded, High Flow  
Pressure Reducing Regulators

PART NUMBER:	-	1	2	3	4	-	MODS
30-10868	-					-	

1	SEAT MATERIAL OPTIONS
1	VESPEL SP-1®
2	PEEK®
3	PCTFE (3600 PSI MAX)
2	O-RING / BACK-UP RING MATERIAL OPTIONS
1	Buna-N
2	Viton®
3	EPDM
3	PORTING
1	2.5 GR 25 GRAYLOC HUBS (3600 PSI MAX)
2	2.5 GR 20 GRAYLOC HUBS (6000 PSI MAX)
3	2.5 1500# RF FLANGES (3600 PSI MAX)
4	2.5 2500# RF FLANGES (6000 PSI MAX)

4	DOME PORT OPTIONS
1	1/4" FNPT
2	1/4" SAE J1926
3	1/4" SAE AS5202
MODIFICATIONS	
BLANK	None
E1	1/4" FNPT external sensing port
E2	1/4" SAE J1926 external sensing port
E3	1/4" SAE AS5202 external sensing port
SM	SURFACE MOUNT

*Viton® and Vespel® are registered trademarks of E.I. du Pont de Nemours and Company*

*PEEK® is a registered trademark of Victrex PLC*

*Contact factory for material certifications. Fees may apply.*

**NOTE: MAX PRESSURE DERATED FROM 6000 TO 5000 PSI AND 3600 TO 3000 PSI FOR TEMPERATURES BETWEEN 100° & 200°F (38° & 93°C)**

## 6000 SERIES

Hydraulic, High Pressure  
Pressure Reducing Regulators



Premier 6000 Series pressure reducing regulators are hydraulic, piston sensed, variable pressure & delivery regulators designed for inlet and outlet pressures up to 10000 PSIG (689.48 bar). 6000 Series regulators feature a wide range of inlet and outlet configurations, Cv: 0.06, 0.12, 0.20, or 0.30 adjustable captured venting, and compatibility with a broad range of non-corrosive and corrosive media (based on materials of construction).

### FEATURES

- Piston Sensed
- Main valve cartridge
- Captured venting
- Black anodized aluminum knob
- Machined bar stock body, bonnet and piston eliminates porosity found in castings
- Very competitive pricing
- Numerous optional features available
- NACE MR0175 compatible materials are available

**SOME APPLICATIONS WILL REQUIRE A CUSTOM SOLUTION.**  
CONTACT PREMIER INDUSTRIES TO REQUEST A MODIFICATION  
OR A CUSTOM DESIGN.

## SPECIFICATIONS

- **MAXIMUM INLET PRESSURE:**
  - 10000 PSIG (689.5 Bar)
- **CONTROL PRESSURE RANGES:**
  - 0-200 PSIG (0-13.8 Bar)
  - 5-500 PSIG (0.35-34.5 Bar)
  - 5-800 PSIG (0.35-55.2 Bar)
  - 10-1500 PSIG (0.69-103.4 Bar)
  - 15-2500 PSIG (1.0-172.4 Bar)
  - 25-4000 PSIG (1.7-275.8 Bar)
  - 50-6000 PSIG (3.4-413.7 Bar)
  - 100-10000 PSIG (6.9-689.5 Bar)
- **FLOW CAPACITY**
  - **Main Valve Cv:** 0.06, 0.12, 0.20, or 0.30
  - **Vent Valve Cv:** 0.06
- **DESIGN PROOF PRESSURE:**
  - 150% maximum rated
- **OPERATING TEMPERATURE:\*\***
  - -15°F/-26°C to 165°F/74°C (BUNA-N)
  - -4°F/-20°C to 165°F/74°C (Viton®)
  - -65°F/-54°C to 165°F/74°C (EPDM)
  - 0°F/-17°C to 165°F/74°C (KALREZ®)
  - 15°F/-9°C to 165°F/74°C (ALFAS)
  - -50°F/-45°C to 165°F/74°C (Nitrile, Lo-temp)

## MATERIALS OF CONSTRUCTION

- **BODY:** 316 Stainless Steel (*standard*)
- **BONNET:** 17-4 Stainless Steel
- **PISTON:**
  - 316 Stainless Steel
- **VENT/MAIN VALVE STEM:**
  - 17-4 Stainless Steel, hardened
- **VALVE SEAT:**
  - 17-4 Stainless Steel, hardened (*standard*)
  - Vespel® (*optional*)
- **VENT VALVE SEAT:**
  - 316 Stainless Steel
- **WETTED, OTHER:**
  - 316 Stainless Steel & 17-4 Stainless Steel
- **WETTED, NACE COMPLIANT:**
  - 316 Stainless Steel, A286, & Elgiloy®
- **SEAL OPTIONS:**
  - Viton®
  - Buna-N
  - EPDM
  - AFLAS
  - Nitrile (Lo-Temp)
  - Kalrez® *Contact factory for pricing*
- **BACK-UP RINGS:**
  - PTFE & PCTFE

## PORTING

- **INLET & OUTLET PORT OPTIONS:**
  - 1/4" FNPT, SAE J1926, SAE AS5202\*\*, or medium pressure
  - 3/8" FNPT, SAE J1926, SAE AS5202\*\*, or medium pressure
  - 1/2" FNPT, SAE J1926, SAE AS5202\*\*
  - 9/16" medium pressure
- **VENT PORT:**
  - 1/4" FNPT, SAE J1926, SAE AS5202\*\*, or medium pressure
- **GAUGE PORTS:** 1/4" FNPT

## OPTIONAL ITEMS

- Air loaded design (P/N: 30-10219)
- Panel mounting bracket: P/N: 30-10059 (Ø2.15 panel hole)
- Panel mounting nuts: P/N: 30-10189 (Ø2.28 panel hole)
- Gauges
- Private label
- Non-venting

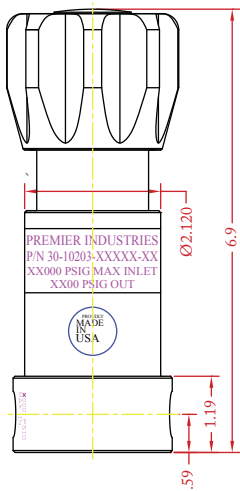
\*\*SAE AS5202 supersedes MS33649

Viton®, Vespel®, & Kalrez® are registered trademarks of E.I. duPont de Nemours and Company. Elgiloy® is a registered trademark of Elgiloy Specialty Metals Division, Combined Metals of Chicago LLC (*Contact factory for Kalrez® pricing*)

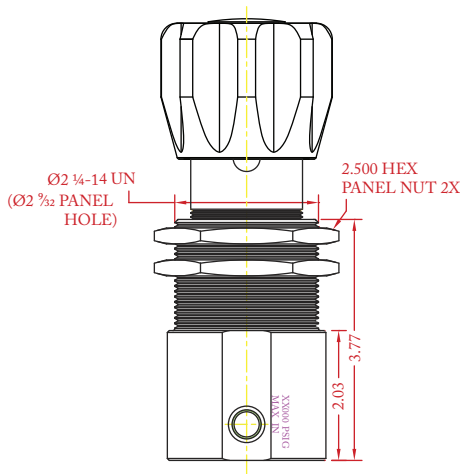
\*\*For extended temperature ranges please contact Premier Industries. Above temperature ranges will apply to the majority of media for which the material is recommended. Temperature ranges can vary with some media, ALWAYS TEST UNDER SERVICE CONDITIONS.

**PART NUMBER: 30-10203**

**PANEL MOUNTING  
BRACKET STYLE**

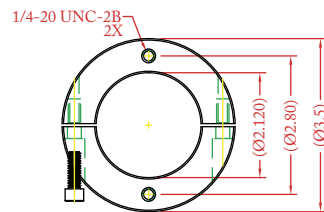


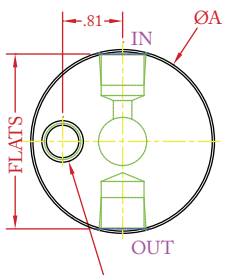
**PANEL NUT  
STYLE**



**OPTIONAL PANEL  
MOUNTING BRACKET**

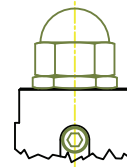
*Part Number: 30-10059*



	PORT TYPE	ØA	FLATS
	NPT,	Ø2.48	—
1/4" OTHER	Ø2.48	2.36	
1/4" & 3/8" SAE	Ø2.98	2.81	
3/8" M.P.	Ø2.98	2.81	
1/2" SAE	Ø3.23	2.98	
9.16" M.P.	Ø3.23	2.98	





*\*Bodies w/ 'L' porting configurations and 3/8" ports and larger require a larger ØA*

**OPTIONAL  
ACORN NUT**



PART #	1	2	-	3	4	5	6	7	-	8	9	MODS
30-10203			-						-			

1 2	MOUNTING STYLE
<b>MB</b>	Mounting bracket style body
<b>PN</b>	Panel nut style body <i>(panel nuts included)</i>
3	OUTLET PRESSURE
<b>0</b>	0-200 PSIG <i>(0-13.8 Bar)</i>
<b>1</b>	5-500 PSIG <i>(0.34-34.5 Bar)</i>
<b>2</b>	5-800 PSIG <i>(0.34-55.2 Bar)</i>
<b>3</b>	10-1500 PSIG <i>(0.69-103.4 Bar)</i>
<b>4</b>	15-2500 PSIG <i>(1.0-172.4 Bar)</i>
<b>5</b>	25-4000 PSIG <i>(1.7-275.8 Bar)</i>
<b>6</b>	50-6000 PSIG <i>(3.4-413.7 Bar)</i>
<b>7</b>	100-10000 PSIG <i>(6.9-689.5 Bar) (stainless steel only)</i>
4	MAIN VALVE Cv
<b>0</b>	Cv 0.06
<b>1</b>	Cv 0.12
<b>2</b>	Cv 0.20
<b>3</b>	Cv 0.30
<i>Vent Valve Cv: 0.06</i>	

5	PORTING CONFIG.
<b>A</b>	
<b>C</b>	
<b>L*</b>	
<b>S</b>	
<i>*L porting configurations with 3/8" ports and larger require a larger body diameter</i>	
6	PORT SIZE
<b>4</b>	1/4"
<b>6</b>	3/8"
<b>8</b>	1/2"***
<b>9</b>	9/16"***
<i>**1/2" ports not available in medium pressure ***9/16" ports only available in medium pressure Gauge ports: 1/4" FNPT</i>	

7	PORT TYPE IN/OUT/VENT
<b>1</b>	NPT
<b>2</b>	SAE J1926
<b>3</b>	SAE AS5202 <i>(MS33649**)</i>
<b>4</b>	MEDIUM PRESSURE
<i>**SAE AS5202 supersedes MS33649</i>	
8 9	O-RINGS
<b>00</b>	BUNA-N
<b>01</b>	AFLAS®
<b>02</b>	VITON®
<b>05</b>	EPDM
<b>11</b>	KALREZ® <i>(Contact factory for pricing)</i>
<b>12</b>	NITRILE, LO-TEMP

MODIFICATIONS	
<i>Separate multiple mods with a dash</i>	
<b>Blank</b>	None
<b>ANT</b>	Acorn nut
<b>N</b>	NACE MR0175/ ISO 15156-2:2009 compatible option
<b>PTU</b>	Port type uniform
<b>SM</b>	Surface mount
<b>V</b>	Vespel® seat option

**10000 PSIG MAX INLET:**  
*The end user is responsible to ensure adequate fittings are used to connect regulator to plumbing.*

*Contact factory for material certifications. Fees may apply.*

*Kalrez® & Viton® are registered trademarks of E.I.duPont de Nemours and Company. Kel-F® is a registered trademark of 3M Company*

*AFLAS® is a registered trademark of Asahi Glass Co., Ltd*

*Contact factory for material certifications. Fees may apply.*



# 6000AL SERIES

Air Loaded, High Pressure, Hydraulic  
Pressure Reducing Regulators



Premier 6000AL Series regulators are high pressure, hydraulic, piston sensed, pressure reducing regulators with a flow capacity ( $C_v$ ) of 0.06, 0.12, 0.20, or 0.30 and control pressures up to 10000 PSIG (689.5 bar). This regulator features an air loader with a max inlet pressure of 100 PSIG / 6.89 bar (regulator 10000 PSIG (689.5 bar) max inlet).

The 6000AL regulator's captured venting allows potentially hazardous media to be safely piped away.

## FEATURES

- Captured venting (*non-venting mod. available*)
- Flow capacity ( $C_v$ ): 0.06, 0.12, 0.20, or 0.30
- Piston sensed
- Compatible with electro-pneumatic controllers
- Machined bar stock body eliminates porosity found in castings

**SOME APPLICATIONS WILL REQUIRE A CUSTOM SOLUTION.**  
CONTACT PREMIER INDUSTRIES TO REQUEST A MODIFICATION  
OR A CUSTOM DESIGN.

# 6000AL SERIES

**Air Loaded, High Pressure, Hydraulic  
Pressure Reducing Regulators**

## SPECIFICATIONS

- **MAXIMUM INLET PRESSURE:**
  - REGULATOR: 10000 PSIG (689.5 bar)
  - AIR ACTUATOR: 100 PSIG (6.89 bar)
- **CONTROL PRESSURE RANGES:**
  - 10-1500 PSIG (0.69 – 103.42 bar)
    - Diameter: 1.000"
    - Area: 0.7854 in<sup>2</sup>
    - Ratio: 1<sup>6</sup>/<sub>1</sub> \*\*
  - 15-2500 PSIG (1.03 – 172.37 bar)
    - Diameter: 0.750"
    - Area: 0.4418 in<sup>2</sup>
    - Ratio: 2<sup>8</sup>/<sub>1</sub> \*\*
  - 50-6000 PSIG (3.45 – 413.69 bar)
    - Diameter: 0.500"
    - Area: 0.1964 in<sup>2</sup>
    - Ratio: 6<sup>4</sup>/<sub>1</sub> \*\*
  - 100-10000 PSIG (6.89 – 689.5 bar)
    - Diameter: 0.375"
    - Area: 0.1104 in<sup>2</sup>
    - Ratio: 11<sup>4</sup>/<sub>1</sub> \*\*

\*\* 4.0" diameter diaphragm  
Diaphragm area: 12.5664 in<sup>2</sup>

- **FLOW (Cv):** 0.06, 0.12, 0.20, or 0.30
- **VENT VALVE (Cv):** 0.06
- **AMBIENT OPERATING TEMPERATURES:**
  - -4°F/-20°C to 212°F/100°C (Viton®)\*
  - -15°F/-26°C to 212°F/100°C (BUNA-N)\*

\*lower temperature compounds available upon request

## MATERIALS OF CONSTRUCTION

- **BODY:** 316 Stainless Steel
- **HOUSING, AIR ACTUATOR :**
  - 6061-T6 Aluminum/clear anodized
- **DIAPHRAGM, AIR ACTUATOR :**
  - Neoprene, nylon fabric-reinforced
- **MAIN VALVE STEM:** 17-4 Stainless Steel (*hardened*)
- **MAIN VALVE SEAT:**
  - 17-4 Stainless Steel, hardened (*standard*)
  - Vespel®
- **VENT VALVE SEAT:** Vespel®
- **BACK-UP RINGS:** PTFE & PCTFE
- **ELASTOMER SEALS:**
  - BUNA-N
  - AFLAS®
  - Viton®
  - EPDM
  - Polyurethane
  - Kalrez® (*Contact factory for pricing*)
- **WETTED PARTS:**
  - 316 Stainless Steel
  - 17-4 Stainless Steel

## PORTING

- **INLET/OUTLET:**
  - 1/4", 3/8", 1/2" FNPT
  - 1/4", 3/8", 1/2" SAE J1926
  - 1/4", 3/8", 1/2" SAE AS5202 (MS33649\*\*)
  - 1/4", 3/8", 9/16" Medium Pressure
  - 1/4", 3/8", High Pressure
- **AIR ACTUATOR PORT OPTIONS:**
  - 1/8" FNPT
  - 1/4" SAE AS5202
  - 1/4" SAE J19262
- **VENT:** 1/4" (*inlet/outlet port type*)

## OPTIONS

- Private Label
- Panel mounting bracket: P/N: 30-10059 (Ø2.15 panel hole)
- Surface mounting holes
- NACE MR0175 compatible design  
(*all wetted 316 Stainless Steel & Elgiloy®*)
- Non-venting modification

\*\*SAE AS5202 supersedes MS33649

Viton® Vespel® and Kalrez® are registered trademarks of E.I. duPont de Nemours and Company

AFLAS® is a registered trademark of the Asahi Glass Co., Ltd.

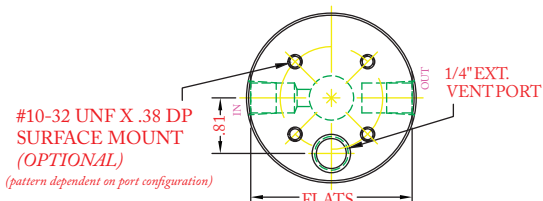
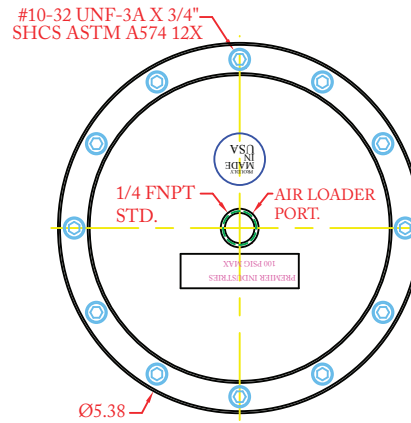
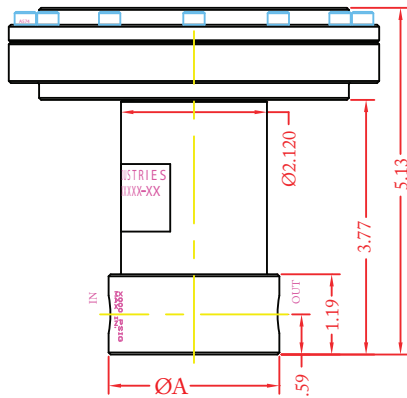
Elgiloy® is a registered trademark of Elgiloy Specialty Metals Division,

Contact factory for material certifications. Fees may apply.

# 6000AL SERIES

Air Loaded, High Pressure, Hydraulic  
Pressure Reducing Regulators

PART NUMBER: 30-10219




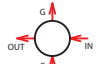


PORT TYPE	ØA	FLATS
NPT	Ø2.48	—
1/4" J1926, M.P., H.P.	Ø2.48	2.36
1/4" AS5202	Ø2.98	2.81
3/8" SAE, M.P., H.P.	Ø2.98	2.81
1/2" SAE	Ø3.23	2.98
9/16" M.P.	Ø3.23	2.98

*3/8" & larger 'L' porting configurations require a larger ØA*

# 6000AL SERIES

Air Loaded, High Pressure, Hydraulic  
Pressure Reducing Regulators

PART #	-	1	2	3	4	5	-	6	7	MODS
30-10219	-						-			

1	OUTLET PRESSURE	
3	10-1500 psig (0.69-103.4 bar)	Diameter: 1.000" Area: 0.7854 in <sup>2</sup> Ratio: <sup>16</sup> / <sub>1</sub> *
4	15-2500 psig (1.0-172.4 bar)	Diameter: 0.750" Area: 0.4418 in <sup>2</sup> Ratio: <sup>28</sup> / <sub>1</sub> *
6	50-6000 psig (3.4-413.7 bar)	Diameter: 0.500" Area: 0.1964 in <sup>2</sup> Ratio: <sup>64</sup> / <sub>1</sub> *
7	100-10000 psig (6.9-689.5 bar) (stainless steel only)	Diameter: 0.375" Area: 0.1104 in <sup>2</sup> Ratio: <sup>114</sup> / <sub>1</sub> *
* 4.0" diameter diaphragm Diaphragm area: 12.5664 in <sup>2</sup>		
2	MAIN VALVE Cv	
0	Cv 0.06	
1	Cv 0.12	
2	Cv 0.20	
3	Cv 0.30	
Vent Valve Cv: 0.06		
3	PORTING CONFIG.	
A		
L**		
C		
S		
**L porting configurations with 3/8" ports and larger require a larger body diameter		

4	PORT SIZE
4	1/4"
6	3/8"
8	1/2"***
9	9/16"****
***1/2" ports not available in medium pressure ****9/16" ports only available in medium pressure Gauge ports: 1/4" FNPT	
5	PORT TYPE IN/OUT/VENT
1	NPT
2	SAE J1926
3	SAE AS5202 (MS33649**)
4	MEDIUM PRESSURE
5	HIGH PRESSURE
**SAE AS5202 supersedes MS33649	

6 7	O-RING MATERIAL
00	BUNA-N
01	AFLAS®
02	VITON®
05	EPDM
08	POLYURETHANE
11	KALREZ® (Contact factory for pricing)
MODIFICATIONS (Optional)	
Blank	None
AS	1/4" SAE AS5202 LOADER PORT
E	1/8" NPT AIR LOADER PORT
J	1/4" SAE J1926 LOADER PORT
N	NACE MR0175 COMPATIBLE
NV	NON-VENTING
SM	SURFACE MOUNT
V	VESPEL® SEAT

Separate multiple mods with a dash.

Example:  
Surface mount with Vespel® seat: SM-V

Kalrez® Vespel® & Viton® are registered trademarks of E.I. duPont de Nemours and Company.

AFLAS® is a registered trademark of Asahi Glass Co., Ltd

10000 PSIG MAX INLET: STAINLESS STEEL  
The end user is responsible to ensure adequate fittings are used to connect regulator to plumbing.

Contact factory for material certifications.  
Fees may apply.

## 6000DL SERIES

Dome Loaded, High Pressure, Hydraulic  
Pressure Reducing Regulators



Premier 6000DL Series dome loaded, high pressure, hydraulic, pressure reducing regulators: rugged, compact regulators for remotely-controlled high pressure applications. These piston sensed units are rated for inlet and outlet pressures up to 10000 PSIG (*689.5 bar*) and Cv 0.06, 0.12, 0.20, or 0.30.

Premier 6000DL Series regulators are used to regulate a broad range of non-corrosive and corrosive media (based on materials of construction). Captured venting allows fluids/gases to be safely piped away.

### FEATURES

- Captured venting
- Dome loaded for remote pressure control
- Compatible with electro-pneumatic controllers
- 17-4 & 316 stainless steel construction for strength and corrosion resistance
- 10000 PSIG (*689.5 bar*) max inlet
- Cv 0.06, 0.12, 0.20, or 0.30
- Economical pricing
- Machined bar stock body, bonnet and piston reduce particle shedding and contamination

**SOME APPLICATIONS WILL REQUIRE A CUSTOM SOLUTION.**  
CONTACT PREMIER INDUSTRIES TO REQUEST A MODIFICATION  
OR A CUSTOM DESIGN.

# 6000DL SERIES

Dome Loaded, High Pressure, Hydraulic  
Pressure Reducing Regulators

## SPECIFICATIONS

- **MAX INLET PRESSURE:**
  - 10000 PSIG (689.5 bar)
- **MAX OUTLET PRESSURE:**
  - 10000 PSIG (689.5 bar)
- **MAX DOME LOAD:**
  - 10000 PSIG (689.5 bar)
- **DOMES TO SENSOR RATIO:** 1:1
- **FLOW (Cv):** 0.06, 0.12, 0.20, 0.30
- **VENT VALVE (Cv):** 0.06
- **OPERATING TEMPERATURE:**
  - -15°F/-26°C to 165°F/74°C (BUNA-N)
  - -4°F/-20°C to 165°F/74°C (VITON®)
  - -65°F/-54°C to 165°F/74°C (EPDM)
  - 15°F/-9°C to 165°F/74°C (AFLAS®)

## MATERIALS OF CONSTRUCTION

- **BODY & BONNET :**
  - 316 Stainless Steel,
- **WETTED PARTS, OTHER:**
  - 316 Stainless Steel,
  - 17-4 Stainless Steel
- **MAIN VALVE SEAT OPTIONS:**
  - 17-4 Stainless Steel
  - Vespel®
- **VENT VALVE SEAT OPTIONS:**
  - 316 Stainless Steel
  - Vespel®
- **MAIN VALVE / VENT VALVE STEM:**
  - 17-4 Stainless Steel
- **O-RING MATERIAL:**
  - BUNA-N
  - AFLAS®
  - Viton®
  - EPDM
  - Kalrez® (*Contact factory for pricing*)
  - Nitrile, Lo-temp
- **BACK-UP RINGS:** PCTFE

## PORTING

- **INLET/ OUTLET PORTING OPTIONS:**
  - 1/4", 3/8", 1/2" FNPT
  - 1/4", 1/2", 3/8", SAE J1926
  - 1/4", 1/2", 3/8", SAE AS5202\*
  - 1/4", 3/8", 9/16", Medium pressure
  - 1/4", 3/8", 9/16", High pressure
  - 1/4", 3/8", 1/2", NPTF
- **GAUGE PORTS:**
  - 1/4" FNPT
- **DOMES PORTS:**
  - 1/4" (*match inlet/outlet/vent type*)
- **VENT PORTS:**
  - 1/4" (*match inlet/outlet/vent type*)

## OPTIONS

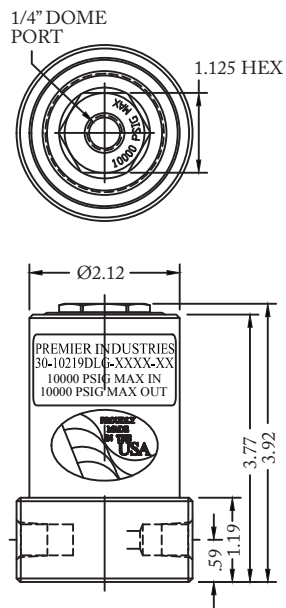
- Private label
- Panel mounting bracket: P/N: 30-10059 (Ø2.15 panel hole)
- Panel mounting nuts: P/N: 30-10189 (Ø2.28 panel hole)

*\*SAE AS5202 supersedes MS33649  
Vespel® Kalrez® & Viton® are registered trademarks of  
E.I. du Pont de Nemours and Company  
AFLAS® is a registered trademark of the Asahi Glass Co., Ltd.*

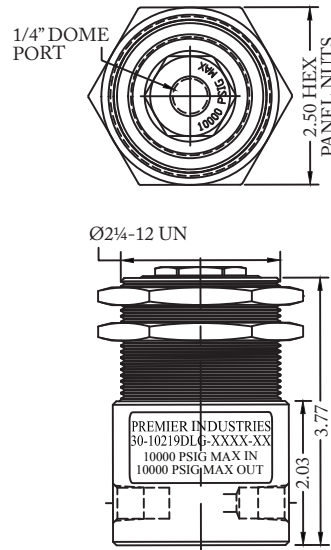
*Contact factory for material certifications. Fees may apply.*

PART NUMBER: 30-10219DL

## PANEL MOUNTING BRACKET STYLE

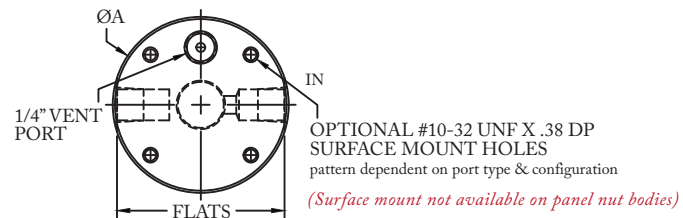


## PANEL NUT STYLE



PORT TYPE	ØA	FLATS
NPT, NPTF	Ø2.48	—
1/4" J1926, M.P., H.P.	Ø2.48	2.36
1/4" AS5202	Ø2.98	2.81
3/8" SAE, M.P., H.P.	Ø2.98	2.81
1/2" SAE	Ø3.23	2.98
9/16" M.P.	Ø3.23	2.98

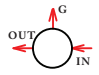
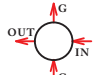
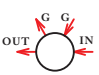

*\*Bodies w/ 'L' porting configurations and 3/8" ports and larger require a larger ØA*



# 6000DL SERIES

Dome Loaded, High Pressure, Hydraulic  
Pressure Reducing Regulators

SERIES	-	1	2	3	4	-	5 6	-	MODS
30-10219DL	-					-		-	

1	MAIN VALVE SEATS & Cv RATING
0	Vespel® Cv 0.06
1	Vespel® Cv 0.12
2	Vespel® Cv 0.20
3	Vespel® Cv 0.30
2	PORTING CONFIG. (1/4" FNPT)
A	
L	
C	
S	

3	PORT SIZE
4	1/4"
6	3/8"
8	1/2"*
9	9/16**
<i>*1/2" not available in medium &amp; high pressure **9/16" only available in medium &amp; high pressure</i>	
4	PORT TYPE (IN/OUT VENT/DOME)
1	FNPT
2	SAE J1926
3	SAE AS5202*
4	Medium Pressure
5	High Pressure
6	NPTF
<i>*SAE AS5202 supersedes MS33649</i>	

5 6	O-RINGS
00	BUNA-N
01	AFLAS®
02	VITON®
05	EPDM
11	KALREZ® <i>(Contact factory for pricing)</i>
12	NITRILE, LO-TEMP
MODIFICATIONS <i>Separate multiple mods with a dash</i>	
Blank	None
N	NACE MR0175
PN	PANEL NUT STYLE BODY
PTU	PORT TYPE UNIFORM
SM	SURFACE MOUNT <i>(Not available on panel nut bodies)</i>

*Kalrez® Vespel® & Viton® are registered trademarks of E.I.duPont de Nemours and Company.*

*AFLAS® is a registered trademark of Asahi Glass Co., Ltd*

**10000 PSIG MAX INLET: STAINLESS STEEL**  
*The end user is responsible to ensure adequate fittings are used to connect regulator to plumbing.*

*Contact factory for material certifications.  
Fees may apply.*



# 6000FL SERIES

Flange Mounted, Hydraulic, High Pressure  
Pressure Reducing Regulators



Premier 6000FL Series pressure reducing regulators are flange mounted, high pressure, hydraulic, variable pressure & delivery regulators, rated for inlet pressures up to 3000 psig (206.82 bar) and Cv 0.06. Premier 6000FL Series regulators feature captured venting to safely pipe away potentially toxic or corrosive media. Complete with ANSI B16.5 class 1500 forged flanges with a raised face and welded neck.

## FEATURES

- Raised face, welded neck flange connections
- 1" nominal pipe size
- Captured venting standard
- Cv 0.06
- Max inlet: 3000 psig / 206.82 bar
- ANSI B16.5 class 1500 forged flange
- Black anodized aluminum knob
- Machined bar stock body, bonnet and piston eliminates porosity found in castings

**SOME APPLICATIONS WILL REQUIRE A CUSTOM SOLUTION.**  
CONTACT PREMIER INDUSTRIES TO REQUEST A MODIFICATION  
OR A CUSTOM DESIGN.

## SPECIFICATIONS

- **MAXIMUM INLET PRESSURE:**
  - 3000 PSIG (206.84 Bar)
- **CONTROL PRESSURE RANGES:**
  - 5-500 PSIG (0.35-34.5 Bar)
  - 5-800 PSIG (0.35-55.2 Bar)
  - 10-1500 PSIG (0.69-103.4 Bar)
  - 15-2500 PSIG (1.0-172.4 Bar)
- **FLOW CAPACITY**
  - MAIN VALVE Cv: 0.06
  - VENT VALVE Cv: 0.06
- **OPERATING TEMPERATURE:\*\***
  - -15°F/-26°C to 165°F/74°C (BUNA-N)
  - -4°F/-20°C to 165°F/74°C (Viton®)
  - -65°F/-54°C to 165°F/74°C (EPDM)
  - 0°F/-17°C to 165°F/74°C (KALREZ®)
  - 15°F/-9°C to 165°F/74°C (ALFAS)
  - -50°F/-45°C to 165°F/74°C (Nitrile, Low-temp)
  - -61°F/-52°C to 165°F/74°C (Nitrile, Low-temp, butadiene)

## MATERIALS OF CONSTRUCTION

- **BODY & BONNET OPTIONS:**
  - 316 Stainless Steel
  - 17-4 Stainless Steel
- **VALVE SEAT:** 17-4 Stainless Steel, hardened
- **VENT VALVE SEAT:** 316 Stainless Steel
- **WETTED PARTS:**
  - 316 Stainless Steel and 17-4 Stainless Steel
- **O-RING MATERIAL:**
  - Viton®
  - Buna-N
  - EPDM
  - AFLAS
  - Nitrile (Low-Temp)
  - Kalrez® (*Contact factory for pricing*)
  - Nitrile (Low-Temp) - Butadiene
- **BACK-UP RINGS:** PTFE

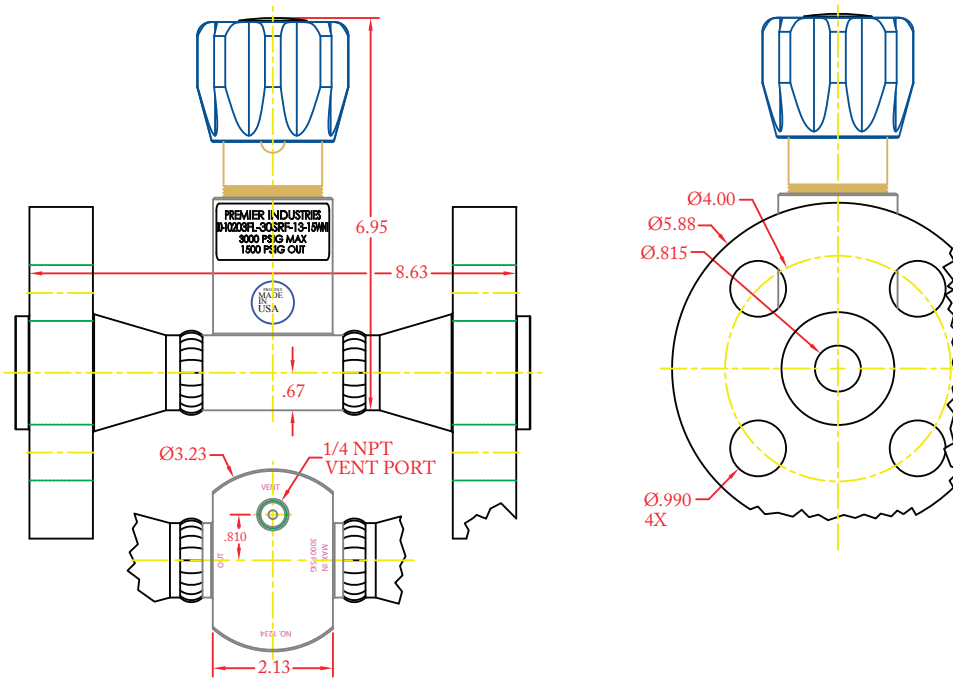
## PORTING

- **INLET PORT:**
  - ANSI B16.5 Class 1500 forged flange, 1" nominal pipe size, welded neck and raised face
- **OUTLET PORT:**
  - ANSI B16.5 Class 1500 forged flange, 1" nominal pipe size, welded neck and raised face
- **VENT PORT:**
  - 1/4" FNPT

## OPTIONAL ITEMS

- Private label


PART NUMBER: 30-10203FL



# 6000FL SERIES

Flange Mounted, Hydraulic, High Pressure  
Pressure Reducing Regulators

PART #	1	2	-	3	4	5	6	7	-	8	9	-	10	11	12	13	14
30-10203			-						-			-					

<b>1 2</b>	<b>MOUNTING STYLE</b>
<b>FL</b>	Flange mount style body
<b>3</b>	<b>OUTLET PRESSURE</b>
<b>1</b>	5-500 PSIG (0.34-34.5 Bar)
<b>2</b>	5-800 PSIG (0.34-55.2 Bar)
<b>3</b>	10-1500 PSIG (0.69-103.4 Bar)
<b>4</b>	15-2500 PSIG (1.0-172.4 Bar)
<b>4</b>	<b>MAIN VALVE Cv</b>
<b>0</b>	Cv 0.06
	<i>Vent Valve Cv: 0.06</i>
<b>5</b>	<b>PORTING CONFIGURATION</b>
<b>S</b>	
<b>6 7</b>	<b>FLANGE FACE STYLE</b>
<b>RF</b>	Raised face

<b>8 9</b>	<b>O-RING MATERIALS</b>
<b>00</b>	BUNA-N
<b>01</b>	AFLAS®
<b>02</b>	VITON®
<b>05</b>	EPDM
<b>11</b>	KALREZ® <i>(Contact factory for pricing)</i>
<b>12</b>	NITRILE, LO-TEMP
<b>13</b>	NITRILE, LO-TEMP, BUTADIENE
<b>10 11</b>	<b>ANSI FLANGE CLASS</b>
<b>15</b>	ANSI class 1500 forged flange
<b>12 13</b>	<b>FLANGE NECK STYLE</b>
<b>WN</b>	Welded neck
<b>14</b>	<b>NOMINAL PIPE SIZE</b>
<b>1</b>	1" nominal pipe size

## 6020 SERIES

Hydraulic, High Pressure, Low-torque Hand Knob  
Pressure Reducing Regulators



The high pressure, hydraulic Premier 6020 Series pressure reducing regulators are single stage, piston sensed, variable delivery, pressure reducing regulators, designed for inlet and outlet pressures up to 10000 PSIG (689.5 Bar), and Cv 0.06, 0.12, 0.2, or 0.3. This regulator features an easily adjusted, ball bearing hand knob for smooth adjustments.

Premier 6020 Series regulators are used to regulate a broad range of non-corrosive and corrosive media (based on materials of construction). Premier 6020 Series regulators can be supplied with a wide range of inlet and outlet configurations.

### FEATURES

- Low-torque hand knob
- Captured-venting
- Cv: 0.06, 0.12, 0.2, or 0.3
- Machined bar stock body, bonnet and piston eliminates porosity found in castings
- Economical pricing

**SOME APPLICATIONS WILL REQUIRE A CUSTOM SOLUTION.**  
CONTACT PREMIER INDUSTRIES TO REQUEST A MODIFICATION  
OR A CUSTOM DESIGN.

## SPECIFICATIONS

- **MAXIMUM INLET PRESSURE (SS) :**
  - 10000 PSIG (689.5 Bar)
- **MAXIMUM INLET PRESSURE (BRASS) :**
  - 6000 PSIG (413.7 Bar)
- **CONTROL PRESSURE RANGES:**
  - 0-200 PSIG (0-13.8 Bar)
  - 5-500 PSIG (0.35-34.5 Bar)
  - 5-800 (0.35-55.2 Bar)
  - 10-1500 PSIG (0.69-103.4 Bar)
  - 15-2500 PSIG (1.0-172.4 Bar)
  - 25-4000 PSIG (1.7-275.8 Bar)
  - 50-6000 PSIG (3.4-413.7 Bar)
  - 100-10000 PSIG (6.9-689.5 Bar)
- **FLOW (Cv):** 0.06, 0.12, 0.2, or 0.3
- **OPERATING TEMPERATURES:**
  - BUNA-N: -15°F / -26°C\* to 165°F / 74°C
  - Viton®: -4°F / -20°C\* to 165°F / 74°C
  - EPDM: -65°F / -54°C to 165°F / 74°C

\* lower temperature compounds are available

## MATERIALS OF CONSTRUCTION

- **BODY :**
  - 316 Stainless Steel
  - SAE 360 Brass
- **BONNET:**
  - 17-4 Stainless Steel
  - SAE 360 Brass
- **OTHER WETTED PARTS:** 316 Stainless Steel
- **O-RING MATERIAL OPTIONS:**
  - Viton®
  - Buna-N
  - EPDM
  - Kalrez® (contact factory for pricing)
  - AFLAS®
  - Nitrile, lo-temp
- **BACK-UP RINGS:** PTFE, and PCTFE
- **MAIN VALVE:**
  - 316 Stainless Steel & 17-4 Stainless Steel
- **MAIN VALVE SEAT:** 316 Stainless Steel

## PORTING

- **INLET PORTING OPTIONS:**
  - 1/4", 3/8", 1/2" FNPT
  - 1/4", 3/8", 1/2" SAE J1926
  - 1/4", 3/8", 1/2" SAE AS5202 (MS33649\*\*)
  - 1/4", 3/8", 9/16" Medium Pressure
- **OUTLET PORTING OPTIONS:**
  - 1/4", 3/8", 1/2" FNPT
  - 1/4", 3/8", 1/2" SAE J1926
  - 1/4", 3/8", 1/2" SAE AS5202 (MS33649\*\*)
  - 1/4", 3/8", 9/16" Medium Pressure

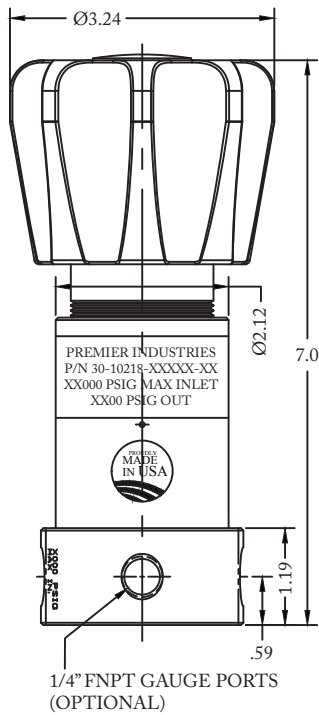
## OPTIONS

- Gauges
- Captured venting
- Private label
- Panel mounting bracket: P/N: 30-10059  
(Ø2.15 panel hole)

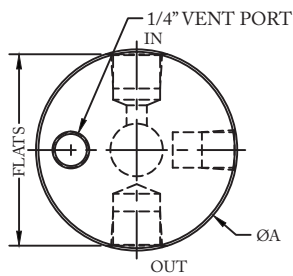
\*\* SAE AS5202 supersedes MS33649  
Vespel® Kalrez® & Viton® are registered trademarks of  
E.I. duPont de Nemours and Company  
Aflas® is a registered trademark of the Asahi Glass Co., Ltd.

Contact factory for material certifications. Fees may apply.

PART NUMBER: 30-10218C



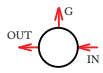
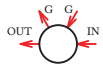
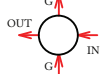

PORT TYPE	ØA	FLATS
NPT, NPTF	Ø2.48	—
1/4" M.P.	Ø2.48	2.36
1/4" & 3/8" SAE	Ø2.98	2.81
3/8" M.P.	Ø2.98	2.81
1/2" SAE	Ø3.23	2.98
9/16" M.P.	Ø3.23	2.98



SERIES	-	1	2	3	4	5	-	6 7	8	-	MODS
30-10218C	-						-			-	

1	BODY/BONNET MATERIALS (MAX. INLET PRESSURE)
1	SAE 360 Brass Body & Bonnet (6000 PSIG / 413.7 Bar)
2	316SS Body, 17-4SS Bonnet (10000 PSIG / 689.5 Bar)
2	OUTLET PRESSURE
0	0-200 PSIG (0-13.8 Bar)
1	5-500 PSIG (0.34-34.5 Bar)
2	5-800 PSIG (0.34-55.2 Bar)
3	10-1500 PSIG (0.69-103.4 Bar)
4	15-2500 PSIG (1.0-172.4 Bar)
5	25-4000 PSIG (1.7-275.8 Bar)
6	50-6000 PSIG (3.4-413.7 Bar)
7	100-10000 PSIG (6.9-689.5 Bar) (stainless steel only)

3	FLOW (Cv)
0	Cv 0.06
1	Cv 0.12
2	Cv 0.2
3	Cv 0.3
4	PORT SIZE Gauge ports 1/4" FNPT
4	1/4"
6	3/8"
8	1/2"*
9	9/16"***
*1/2" not available in medium pressure **9/16" only available in medium pressure.	
5	PORT TYPE
1	FNPT
2	SAE J1926
3	SAE AS5202 (MS33649**)
4	Medium Pressure

6 7	O-RINGS
00	BUNA-N
01	AFLAS
02	VITON®
05	EPDM
11	KALREZ® <i>(contact factory for pricing)</i>
12	NITRILE, LO-TEMP
8	PORT CONFIGURATION
A	
C	
L	
S	

MODIFICATIONS	
<i>Separate multiple mods with a dash</i>	
Blank	none
SM	surface mount*
PTU	port type uniform
*Surface mount: pattern dependent on port type, size, and configuration	

\*\*SAE AS5202 supersedes MS33649

**10000 PSIG MAX INLET**  
The end user is responsible to ensure adequate fittings are used to connect regulator to plumbing.

Kalrez® & Viton® are registered trademarks of E.I. duPont de Nemours and Company

Contact factory for material certifications. Fees may apply.



## 6023 SERIES

High Pressure, Hydraulic, 1500 PSIG  
Pressure Reducing Regulators



The high pressure, hydraulic Premier 6023 Series pressure reducing regulators are single stage, piston sensed, variable delivery, pressure reducing regulators, designed for inlet and outlet pressures up to 15000 PSIG (*1034.21 bar*) and Cv 0.06, 0.12, or 0.20.

Premier 6023 Series regulators are used to regulate a broad range of non-corrosive and corrosive media (based on materials of construction). The regulator's captured venting allows fluids/gases to be safely piped away. Premier 6023 Series regulators can be supplied with a wide range of inlet and outlet configurations.

### FEATURES

- Captured venting
- 15000 PSIG (*1034.21 bar*) MAX
- Cv 0.06, 0.12, or 0.20
- Optional ball-bearing loader
- Optional tamper resistant acorn nut
- Optional threaded panel mounting nut or panel mounting bracket style body
- Economical pricing
- Machined bar stock body, bonnet and piston eliminates porosity found in castings

**SOME APPLICATIONS WILL REQUIRE A CUSTOM SOLUTION.**  
CONTACT PREMIER INDUSTRIES TO REQUEST A MODIFICATION  
OR A CUSTOM DESIGN.

## SPECIFICATIONS

- **MAX INLET PRESSURE (SS):**
  - 15000 PSIG (1034.21 bar)
- **CONTROL PRESSURE RANGES:**
  - 5-500 PSIG (0.34 - 34.47 bar),
  - 5-1000 PSIG (0.34 - 68.95 bar),
  - 10-1500 PSIG (0.69 - 103.42 bar),
  - 15-2500 PSIG (1.03 - 172.37 bar),
  - 25-4000 PSIG (1.72 - 275.79 bar),
  - 50-6000 PSIG (3.45 - 413.69 bar),
  - 100-10000 PSIG (6.89 - 689.48 bar),
  - 300-15000 PSIG (20.68 - 1034.21 bar)
- **FLOW (Cv):** 0.06, 0.12, 0.20
- **VENT VALVE (Cv):** 0.06,
- **OPERATING TEMPERATURE:**
  - -15°F/-26°C to 165°F/74°C (BUNA-N)
  - -4°F/-20°C to 165°F/74°C (VITON®)
  - -65°F/-54°C to 165°F/74°C (EPDM)
  - 15°F/-9°C to 165°F/74°C (AFLAS®)
  - -65°F/-54°C to 165°F/74°C (NITRILE)

## MATERIALS OF CONSTRUCTION

- **BODY:** 316 Stainless Steel,
- **BONNET:** 17-4 Stainless Steel
- **WETTED PARTS, OTHER:**
  - 316 Stainless Steel,
  - 17-4 Stainless Steel
- **BACK-UP RINGS:** PTFE, PCTFE
- **MAIN VALVE SEAT OPTIONS:**
  - 316 Stainless Steel
  - Vespel®
- **MAIN/VENT VALVE STEM:**
  - 17-4 Stainless Steel
- **VENT VALVE SEAT:**
  - Vespel®
  - 316 Stainless Steel

## PORTING

- **INLET/OUTLET/**
  - 1/4" FNPT (standard), medium pressure, high pressure
  - 3/8" FNPT, medium pressure, high pressure
  - 9/16" medium pressure
- **VENT PORTING:**
  - 1/4" FNPT (standard)
  - 1/4" Medium pressure
  - 1/4" High pressure
- **GAUGE PORTS:** 1/4" FNPT

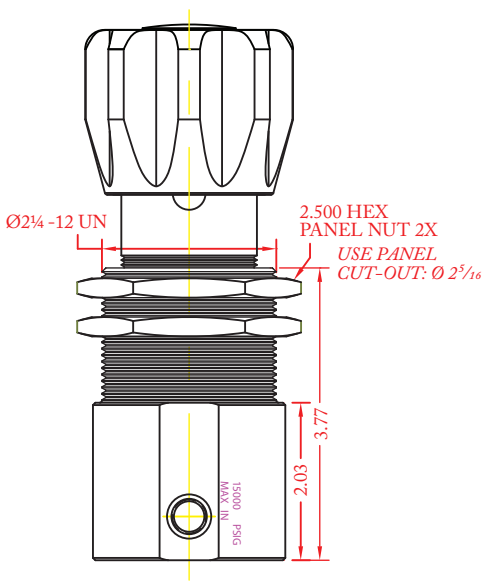
## OPTIONS

- Gauges
- Private label
- Panel mounting bracket: P/N: 30-10059 (Ø2.15 panel hole)
- Panel mounting nuts: P/N: 30-10189 (Ø2.28 panel hole)

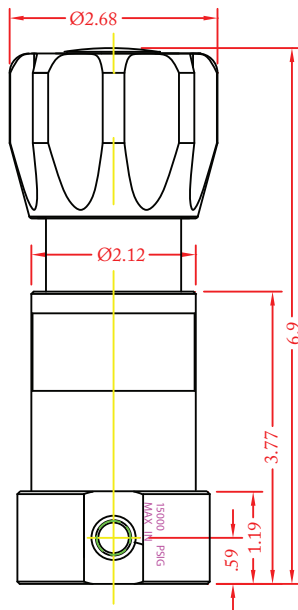
Vespel® & Viton® are registered trademarks of E.I. duPont de Nemours and Company  
AFLAS® is a registered trademark of Asahi Glass Co., Ltd

PART NUMBER: 30-10213

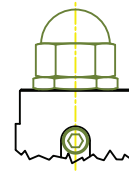
### PANEL NUT STYLE



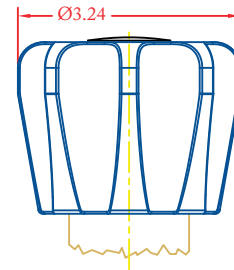
### PANEL MOUNTING BRACKET STYLE



### TAMPER RESISTANT ACORN NUT (optional)

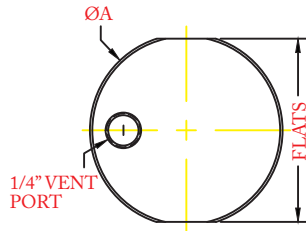


### BALL BEARING LOADER (optional)

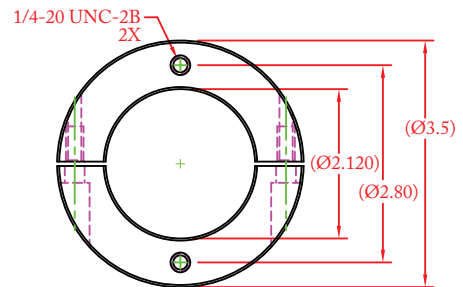


PORT TYPE	ØA	FLATS
NPT	Ø2.48	—
1/4" OTHER	Ø2.48	2.36
3/8" M.P.	Ø2.98	2.81
3/8" H.P.	Ø3.23	2.98
9/16" M.P.	Ø3.23	2.98

*3/8" and larger 'L' and 'E' porting configurations require a larger ØA*

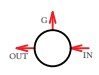
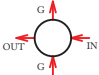
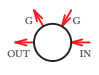
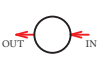
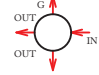


### PANEL MOUNTING BRACKET (optional)



PART #	1	2	-	3	4	5	6	-	7	8	9	-	MODS
30-10213			-					-				-	

1 2	MOUNTING STYLE
MB	Mounting bracket style body
PN	Panel nut style body
3	OUTLET PRESSURE
1	5-500 PSIG (0.34-34.5 Bar)
2	5-1000 PSIG (0.34-68.95 Bar)
3	10-1500 PSIG (0.69-103.4 Bar)
4	15-2500 PSIG (1.0-172.4 Bar)
5	25-4000 PSIG (1.7-275.8 Bar)
6	50-6000 PSIG (3.4-413.7 Bar)
7	100-10000 PSIG (6.9-689.5 Bar)
8	300-15000 PSIG (20.68-1,034.21 Bar)

4	PORTING CONFIG.
A	
L*	
C	
S	
E*	
<i>*L and E porting configurations w/ 3/8" ports and larger require a larger body diameter</i>	
5	PORT SIZE
4	1/4"
6	3/8"
9	9/16" (only available in medium pressure)
6	PORT TYPE IN/OUT/VENT
1	FNPT
4	MEDIUM PRESSURE
5	HIGH PRESSURE
<i>Gauge ports: 1/4" NPT</i>	

7 8	O-RINGS
00	BUNA-N
01	AFLAS®
02	VITON®
05	EPDM
08	POLYURETHANE
11	KALREZ® <i>(Contact factory for pricing)</i>
12	NITRILE, LO-TEMP
9	Cv MAIN VALVE (VALVE SEAT MATERIAL)
0	Cv 0.06 (Vespel®)
1	Cv 0.12 (Vespel®)
2	Cv 0.20 (Vespel® SCP-5000)
5	Cv 0.06 (316 Stainless Steel)
6	Cv 0.12 (316 Stainless Steel)
7	Cv 0.20 (316 Stainless Steel)
MODIFICATIONS	
<i>Separate multiple mods with a dash</i>	
Blank	None
BBL	Ball-bearing loader
ANT	Acorn nut

**15000 PSIG MAX INLET**  
The end user is responsible to ensure adequate fittings are used to connect regulator to  
Contact factory for material certifications.  
Fees may apply.

Vespel® & Viton® are registered trademarks of E.I. duPont de Nemours and Company  
AFLAS® is a registered trademark of Asahi Glass Co., Ltd

# 6023AL SERIES

Air Loaded, High Pressure, Hydraulic, 15000 PSIG  
Pressure Reducing Regulators



Premier 6023AL Series high pressure, hydraulic, air loaded pressure reducing regulators are single stage, piston sensed, pressure reducing regulators rated for inlet and outlet pressures up to 15000 PSIG (1034.21 bar) and Cv 0.06, 0.12, or 0.20.

Premier 6023AL Series Regulators are designed for compatibility with electro-pneumatic controllers, enabling piloted pressure control from an inert gas at low pressures (100 psig / 6.89 bar max air load).

Premier 6023AL Series regulators are used to regulate a broad range of non-corrosive and corrosive media (based on materials of construction). Captured venting is standard.

## FEATURES

- Compatible with electro-pneumatic controllers
- 15000 PSIG (*1034.21 bar*) max
- Captured venting
- Cv 0.06, 0.12, 0.20
- Numerous optional features
- Economical pricing
- Machined bar stock body, bonnet and piston eliminates porosity found in castings

**SOME APPLICATIONS WILL REQUIRE A CUSTOM SOLUTION.**  
CONTACT PREMIER INDUSTRIES TO REQUEST A MODIFICATION  
OR A CUSTOM DESIGN.

## SPECIFICATIONS

- **MAX INLET PRESSURE:**
  - REGULATOR:
    - 15000 PSIG / 1034.21 bar (*stainless steel*)
  - AIR ACTUATOR:
    - 100 PSIG (*6.89 bar*)
- **CONTROL PRESSURE RANGES:**
  - 10-1500 PSIG (*0.69 - 103.42 bar*)
    - Diameter: 1.000"*
    - Area: 0.7854 in<sup>2</sup>*
    - Ratio: 16/1 \*\**
  - 15-2500 PSIG (*1.03 - 172.37 bar*)
    - Diameter: 0.750"*
    - Area: 0.4418 in<sup>2</sup>*
    - Ratio: 28/1 \*\**
  - 50-6000 PSIG (*3.45 - 413.69 bar*)
    - Diameter: 0.500"*
    - Area: 0.1964 in<sup>2</sup>*
    - Ratio: 64/1 \*\**
  - 100-10000 PSIG (*6.89 - 689.5 bar*)
    - Diameter: 0.375"*
    - Area: 0.1104 in<sup>2</sup>*
    - Ratio: 114/1 \*\**
  - 300-15000 PSIG (*20.68 - 1034.21 bar*)
    - Diameter: 0.312"*
    - Area: 0.0765 in<sup>2</sup>*
    - Ratio: 164/1 \*\**

*\*\* 4.0" diameter diaphragm  
Diaphragm area: 12.5664 in<sup>2</sup>*

- **FLOW (Cv):** 0.06, 0.12, 0.20
- **VENT VALVE Cv:** 0.06
- **OPERATING TEMPERATURE:**
  - -15°F/-26°C to 212°F/100°C (BUNA-N)
  - -4°F/-20°C to 212°F/100°C (VITON®)
  - -65°F/-54°C to 212°F/100°C (EPDM)
  - 15°F/-9°C to 212°F/100°C (AFLAS)

*Vespel® Kalrez® & Viton® are registered trademarks of E.I.duPont de Nemours and Company  
AFLAS® is a registered trademark of the Asahi Glass Co., Ltd  
Contact factory for material certifications. Fees may apply.*

## MATERIALS OF CONSTRUCTION

- **BODY:**
  - 316 Stainless Steel
- **HOUSING, AIR ACTUATOR:**
  - 6061-T6 Aluminum, Clear Anodized
- **DIAPHRAGM, AIR ACTUATOR:**
  - Neoprene, nylon reinforced
- **WETTED PARTS, OTHER:**
  - 316 Stainless Steel
  - 17-4 Stainless Steel
- **BACK-UP RINGS: PTFE, PCTFE**
- **MAIN VALVE SEAT/VENT VALVE SEAT OPTIONS:**
  - 316 Stainless Steel (*standard*)
  - Vespel®
- **MAIN/VENT VALVE STEM:**
  - 17-4 Stainless Steel, hardened

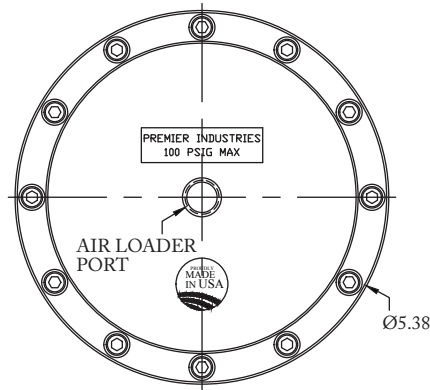
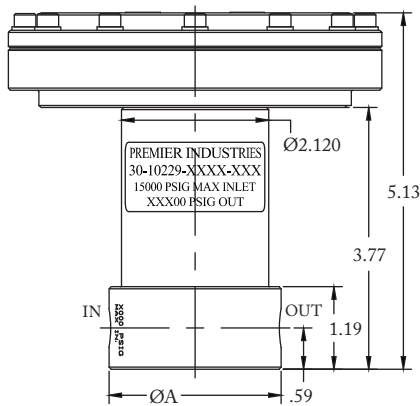
## PORTING

- **INLET/OUTLET PORTING OPTIONS:**
  - 1/4", 3/8" FNPT (*standard*)
  - 1/4", 3/8", 9/16" Medium Pressure
  - 1/4", 3/8" High Pressure
- **VENT PORT:** 1/4" inlet/outlet port type
- **LOAD PORT:**
  - 1/4" FNPT (*standard*)
  - 1/4" SAE AS5202
  - 1/4" SAE J1926
  - 1/8" FNPT

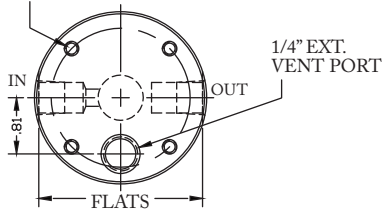
## OPTIONS

- Gauges
- Private label
- Panel mounting bracket: *P/N: 30-10059 (Ø2.15 panel hole)*

PART NUMBER: 30-10229



#10-32 UNF X .38 DP  
SURFACE MOUNT  
(OPTIONAL)



**Surface mounting holes:**  
Pattern dependent on  
port size, type, and  
configuration.

PORT TYPE	ØA	FLATS
NPT	Ø2.48	—
1/4" OTHER	Ø2.48	2.36
3/8" M.P.	Ø2.98	2.81
1/2" H.P.	Ø3.23	2.98
9/16" M.P.	Ø3.23	2.98

# 6023AL SERIES

Air Loaded, High Pressure, Hydraulic, 15000 PSIG  
Pressure Reducing Regulators

PART #	-	1	2	3	4	-	5 6	7	-	MODS
30-10229	-					-			-	

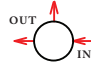
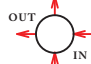


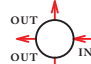
1	OUTLET PRESSURE	
3	10-1500 PSIG 0.69-103.4 Bar	Diameter: 1.000" Area: 0.7854 in <sup>2</sup> Ratio: 16/1 **
4	15-2500 PSIG 1.0-172.4 Bar	Diameter: 0.750" Area: 0.4418 in <sup>2</sup> Ratio: 28/1 **
6	50-6000 PSIG 3.4-413.7 Bar	Diameter: 0.500" Area: 0.1964 in <sup>2</sup> Ratio: 64/1 **
7	100-10000 PSIG 6.9-689.5 Bar (stainless steel only)	Diameter: 0.375" Area: 0.1104 in <sup>2</sup> Ratio: 114/1 **
8	300-15000 PSIG 20.68-1034.21 Bar (stainless steel only)	Diameter: 0.312" Area: 0.0765 in <sup>2</sup> Ratio: 164/1 **
<p>** 4.0" diameter diaphragm Diaphragm area: 12.5664 in<sup>2</sup></p>		

### 15000 PSIG MAX INLET

The end user is responsible to ensure adequate fittings are used to connect regulator to plumbing.

Vespel® Kalrez® & Viton® are registered trademarks of E.I. du Pont de Nemours and Company  
AFLAS® is a registered trademark of the Asahi Glass Co., Ltd

Contact factory for material certifications.  
Fees may apply.

2	PORTING CONFIGURATION
A	
L	
C	
S	
E	
3	PORT SIZE
4	1/4"
6	3/8"
9	9/16" ** (Only available in medium pressure)
4	PORT TYPE (1/4" vent port)
1	FNPT
4	Medium Pressure
5	High Pressure

5 6	O-RINGS
00	BUNA-N
01	AFLAS®
02	VITON-A®
05	EPDM
08	POLYURETHANE
11	KALREZ® (contact factory for pricing)
7	Cv MAIN VALVE (Valve seat material)
0	Cv 0.06 (VESPEL®)
1	Cv 0.12 (VESPEL®)
2	Cv 0.20 (Vespel® SCP-5000)
5	Cv 0.06 (316 STAINLESS STEEL)
6	Cv 0.12 (316 STAINLESS STEEL)
7	Cv 0.20 (316 STAINLESS STEEL)
MODIFICATIONS	
Separate multiple mods with a dash	
BLANK	None
AS	1/4" SAE AS5202 LOADER PORT
E	1/8" NPT AIR LOADER PORT
J	1/4" SAE J1926 LOADERPORT
SM	SURFACE MOUNT



## 6023DL SERIES

Dome Loaded, High Pressure, Hydraulic, 15000 PSIG  
Pressure Reducing Regulators



Premier 6023DL Series pressure reducing regulators are dome loaded, hydraulic, high pressure, piston sensed, pressure reducing regulators, designed for inlet pressures up to 15000 PSIG (*1034.21 bar*) and Cv 0.06, 0.12, or 0.2. Captured venting allows fluids/gases to be safely piped away.

### FEATURES

- Captured venting
- 15000 PSIG (*1034.21 bar*) max inlet
- Outlet pressures up to 15000 PSIG
- 1:1 load ratio
- Piston: Ø1.125
- Cv 0.06, 0.12, or 0.2.
- Machined bar stock body, bonnet and piston eliminates porosity found in castings

**SOME APPLICATIONS WILL REQUIRE A CUSTOM SOLUTION.**  
CONTACT PREMIER INDUSTRIES TO REQUEST A MODIFICATION  
OR A CUSTOM DESIGN.

## SPECIFICATIONS

- **MAX INLET PRESSURE:**
  - 15000 PSIG (1034.21 bar)
- **MAX OUTLET PRESSURE:**
  - 15000 PSIG (1034.21 bar)
- **MAX DOME LOAD:**
  - 15000 PSIG (1034.21 bar)
- **FLOW (Cv):** 0.06, 0.12, 0.20
- **VENT VALVE (Cv):** 0.06
- **OPERATING TEMPERATURE:**
  - -15°F/-26°C to 165°F/74°C (BUNA-N)
  - -4°F/-20°C to 165°F/74°C (VITON®)
  - -65°F/-54°C to 165°F/74°C (EPDM)

## OPTIONS

- Private label
- Panel mounting bracket (P/N: 30-10059)
- Surface mount
- Port type uniform

## MATERIALS OF CONSTRUCTION

- **BODY:** 316 Stainless Steel
- **MAIN VALVE SEAT:**
  - 17-4 stainless steel (*standard*) -
  - Vespel® (*optional*)
- **VENT VALVE SEAT:**
  - 17-4 stainless steel (*standard*) -
  - Vespel® (*optional*)
- **MAIN VALVE / VENT VALVE STEM:**
  - 17-4 Stainless Steel (hardened)
- **O-RING MATERIAL:**
  - BUNA-N
  - AFLAS®
  - Viton-A®
  - EPDM
  - Kalrez® (*Contact factory for pricing*)
- **BACK-UP RINGS:** PCTFE
- **WETTED PARTS, OTHER:**
  - 316 Stainless Steel,
  - 17-4 Stainless Steel

## PORTING

- **INLET PORTING:**
  - 1/4", 3/8", 1/2" FNPT
  - 1/4", 3/8", 9/16" MEDIUM PRESSURE
  - 1/4", 3/8", HIGH PRESSURE
- **OPTIONAL GAUGE PORT:** 1/4" FNPT

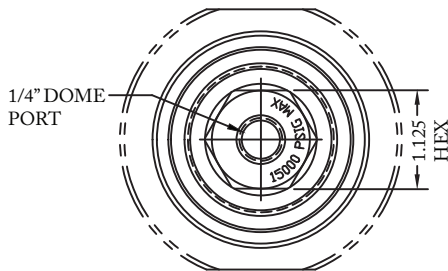
Vespel® Kalrez® & Viton-A® are registered trademarks of E.I. duPont de Nemours and Company  
AFLAS® is a registered trademark of the Asahi Glass Co., Ltd.

Contact factory for material certifications. Fees may apply.

# 6023DL SERIES

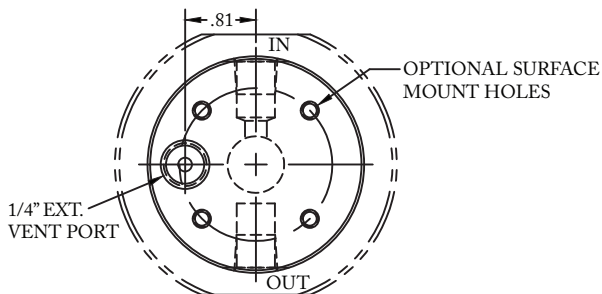
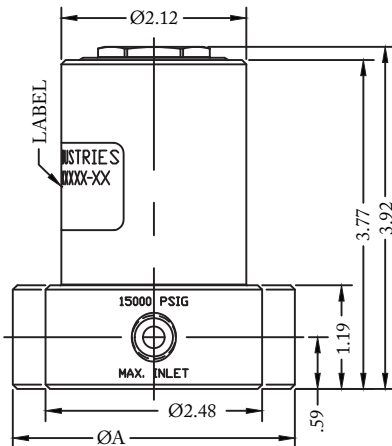
Dome Loaded, High Pressure, Hydraulic, 15000 PSIG  
Pressure Reducing Regulators

PART NUMBER: 30-10229DL



PORT TYPE	ØA	FLATS
NPT	Ø2.48	—
1/4" M.P. & H.P.	Ø2.48	2.36
3/8" M.P. & H.P.	Ø2.98	2.81
9/16" M.P.	Ø3.23	2.98

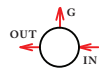
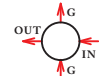
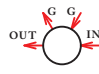

3/8" & larger "L" configuration bodies  
require a larger ØA



# 6023DL SERIES

Dome Loaded, High Pressure, Hydraulic, 15000 PSIG  
Pressure Reducing Regulators

SERIES	-	1	2	3	4	5	-	7 8	-	MODS
30-10229DL	-						-		-	

1	MAX OUTLET PRESSURE
8	15000 PSIG
2	C <sub>v</sub> : MAIN VALVE/ VALVE SEAT MATERIAL
0	C <sub>v</sub> 0.06 / Vespel® SP-1
1	C <sub>v</sub> 0.12 / Vespel® SP-1
2	C <sub>v</sub> 0.20 / Vespel® SCP-5000
5	C <sub>v</sub> 0.06 / 17-4 stainless steel
6	C <sub>v</sub> 0.12 / 17-4 stainless steel
7	C <sub>v</sub> 0.20 / 17-4 stainless steel
3	PORTING CONFIG.
A	
L	
C	
S	
Optional gauge ports: 1/4" FNPT (standard) Dome port: 1/4" IN/OUT/VENT type	

4	PORT SIZE
4	1/4"
6	3/8"
8	1/2"*
9	9/16"***
*1/2" not available in M.P. & H.P. **9/16" only available in M.P.	
5	PORT TYPE (IN, OUT, VENT, DOME)
1	FNPT
4	Medium Pressure
5	High Pressure

**15000 PSIG MAX INLET**  
The end user is responsible to ensure  
adequate fittings are used to connect  
regulator to plumbing.

Vespel® Kalrez® & Viton® are  
registered trademarks of E.I. duPont de  
Nemours and Company  
AFLAS® is a registered trademark of  
the Asahi Glass Co., Ltd

Contact factory for material certifications.  
Fees may apply.

6 7	O-RINGS
00	BUNA-N
01	AFLAS®
02	VITON®
05	EPDM
11	KALREZ® <i>(Contact factory for pricing)</i>
MODIFICATIONS	
Blank	None
PTU	PORT TYPE UNIFORM
SM	SURFACE MOUNT

## 6025 SERIES

High Pressure, Hydraulic, 20000 PSIG  
Pressure Reducing Regulators



Premier 6025 Series hydraulic, high pressure, pressure reducing regulators are single stage, piston sensed regulators rated for inlet and outlet pressures up to 20000 PSIG (*1378.95 bar*), and Cv 0.06, 0.12, or 0.20. Premier 6025 series hydraulic regulators feature a hardened stainless steel seat. Captured venting allows media to be safely piped away.

### FEATURES

- Rated for pressures up to 20000 PSIG (*1378.95 bar*)
- Flow capacity (Cv): 0.06, 0.12, or 0.20
- Durable hardened stainless steel seat
- Captured venting
- Optional tamper resistant acorn nut
- Very competitive pricing
- Machined bar stock body, bonnet and piston eliminates porosity found in castings

**SOME APPLICATIONS WILL REQUIRE A CUSTOM SOLUTION.**  
CONTACT PREMIER INDUSTRIES TO REQUEST A MODIFICATION  
OR A CUSTOM DESIGN.

## SPECIFICATIONS

- **MAXIMUM INLET PRESSURE:**
  - 20000 PSIG (1378.95 bar)
- **CONTROL PRESSURE RANGE:**
  - 950-10000 PSIG (65.50 - 689.48 bar)
  - 1450-15000 PSIG (99.97 - 1034.21 bar)
  - 2000-20000 PSIG (137.90 - 1378.95 bar)
- **FLOW (Cv):** 0.06, 0.12 or 0.20
- **OPERATING TEMPERATURE:**
  - -15°F/-26°C to 165°F/74°C (BUNA-N)
  - -4°F/-20°C to 165°F/74°C (VITON®)
  - -65°F/-54°C to 165°F/74°C (EPDM)

*\*\*lower temperature compounds available upon request*

## MATERIALS OF CONSTRUCTION

- **BODY & BONNET:**
  - 17-4 Stainless Steel
- **BONNET:**
  - 17-4 Stainless Steel
- **WETTED PARTS, OTHER:**
  - 316 Stainless Steel
  - 17-4 Stainless Steel
- **O-RINGS:**
  - Buna-N
  - Aflas®
  - Viton®
  - EPDM
  - Kalrez® (*Contact factory for pricing*)
- **BACK-UP RINGS:** PCTFE & PEEK
- **VALVES:**
  - 17-4 Stainless Steel, Hardened
- **VALVE SEAT:**
  - 17-4 Stainless Steel, Hardened

## PORTING

- **INLET PORTING OPTIONS:**
  - 1/4" medium pressure, high pressure
  - 3/8" medium pressure, high pressure
- **OUTLET PORTING OPTIONS:**
  - 1/4" medium pressure, high pressure
  - 3/8" medium pressure, high pressure
- **VENT PORT:**
  - 1/4" inlet/outlet port type

## OPTIONAL ITEMS

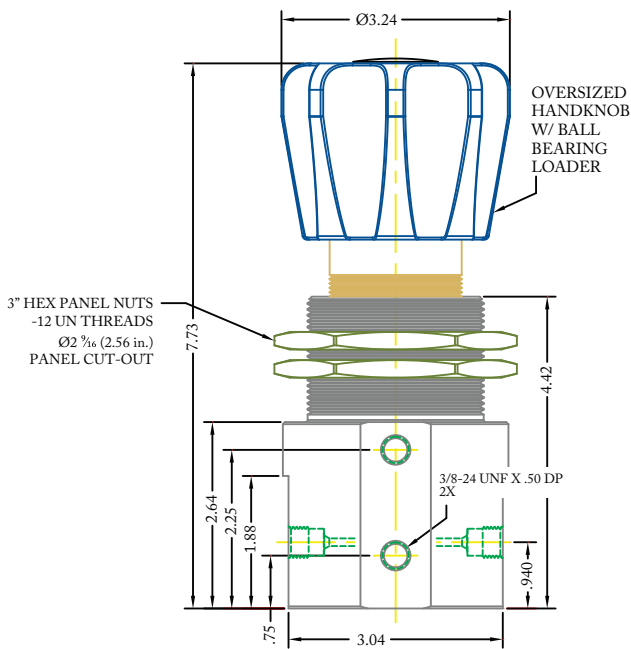
- Private label
- Panel mounting nuts
- Panel mounting bracket: P/N: 30-10500  
(2.53 in panel hole)
- Tamper resistant acorn nut
- Optional mod with Cv 0.04 and Vespel® seat

*Kalrez® Vespel® and Viton® are registered trademarks of  
E.I. du Pont de Nemours and Company  
AFLAS® is a registered trademark of the Asahi Glass Co., Ltd.*

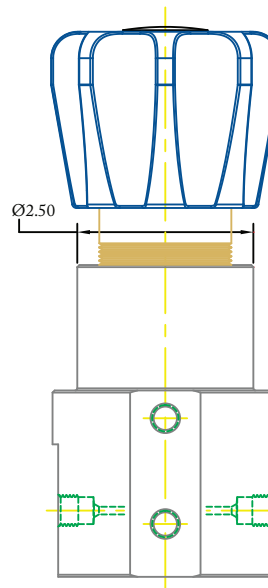
*Contact factory for material certifications. Fees may apply.*

PART NUMBER: 30-10215

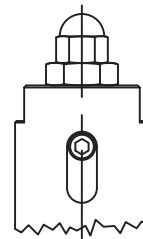
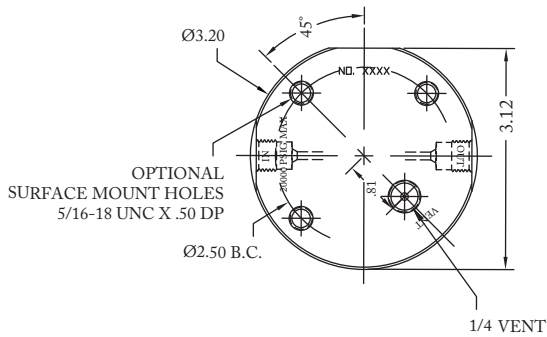
### PANEL NUT STYLE BODY



### MOUNTING BRACKET STYLE BODY



### TAMPER RESISTANT ACORN NUT (Optional)

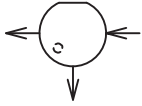



# 6025 SERIES

High Pressure, Hydraulic, 20000 PSIG  
Pressure Reducing Regulators

PART NUMBER	1	2	-	3	4	5	6	7	-	8	9	-	MODS
30-10215			-						-			-	

1 2	BODY STYLE
MB	Mounting bracket style body
PN	Panel nut style body <i>(Panel nuts included)</i>
3	OUTLET PRESSURE
7	950 - 10000 psig <i>(65.50 - 689.48 bar)</i>
8	1450 - 15000 psig <i>(99.97-1034.21 bar)</i>
9	2000 - 20000 psig <i>(137.90-1378.95 bar)</i>
4	FLOW (Cv)
0	Cv: 0.06
1	Cv: 0.12
2	Cv: 0.20
9	Cv: 0.04 <b>(VPL MOD ONLY)</b>

5	PORTING CONFIGURATION
B	
S	
6	PORT SIZE
4	1/4"
6	3/8"
<i>Vent port: 1/4" inlet/outlet port type</i>	
7	PORT TYPE <i>(IN/OUT/VENT)</i>
4	Medium pressure
5	High pressure

8 9	O-RING MATERIAL
00	BUNA-N
01	AFLAS®
02	VITON®
05	EPDM
11	KALREZ® <i>(Contact factory for pricing)</i>
MODIFICATIONS	
BLANK	None
ANT	ACORN NUT
BA	BRONZE SPRING ACTUATOR
SM	SURFACE MOUNT
VPL	VESPEL SCP-5000® <i>(Cv 0.04 option required)</i>

*Kalrez® Vespel® & Viton® are registered trademarks of E.I. duPont de Nemours and Company  
AFLAS® is a registered trademark of the Asahi Glass Co., Ltd.*

*Contact factory for material certifications.  
Fees may apply.*

*20000 PSIG MAX INLET (stainless steel)  
6000 PSIG MAX INLET (brass)  
The end user is responsible to ensure adequate fittings are used to connect regulator to plumbing.*



# 6025AL SERIES

Air Loaded, High Pressure, Hydraulic, 20000 PSIG  
Pressure Reducing Regulators



Premier 6025AL Series air loaded, hydraulic, high pressure, pressure reducing regulators are piston sensed, single staged, pressure reducing regulators rated for inlet and outlet pressures up to 20000 PSIG (*1378.95 bar*), and Cv 0.06, 0.12, or 0.30. Premier 6025AL series hydraulic regulators feature a hardened stainless steel seat. Captured venting allows media to be safely piped away.

## FEATURES

- Rated for pressures up to 20000 PSIG (*1378.95 bar*)
- Compatible with electro pneumatic controllers
- Flow capacity (Cv): 0.06, 0.12, or 0.30
- Durable hardened stainless steel seat
- Captured venting
- Very competitive pricing
- Machined bar stock body, bonnet and piston eliminates porosity found in castings

**SOME APPLICATIONS WILL REQUIRE A CUSTOM SOLUTION.**  
CONTACT PREMIER INDUSTRIES TO REQUEST A MODIFICATION  
OR A CUSTOM DESIGN.

## SPECIFICATIONS

- **MAXIMUM INLET PRESSURE:**
  - 20000 PSIG (1378.95 bar)
- **MAXIMUM LOAD PRESSURE:**
  - 100 PSIG (6.89 bar)
- **CONTROL PRESSURE RANGE:**
  - 300 - 3000 psig (20.68 - 206.84 bar)
    - Diameter: 0.656"
    - Area: 0.338 in<sup>2</sup>
    - Ratio: <sup>122</sup>/<sub>1</sub> \*\*
  - 600 - 6000 psig (41.37 - 413.69 bar)
    - Diameter: 0.462"
    - Area: 0.1676 in<sup>2</sup>
    - Ratio: <sup>75</sup>/<sub>1</sub> \*\*
  - 950-10000 PSIG (65.50 - 689.48 bar)
    - Diameter: 0.362"
    - Area: 0.1029 in<sup>2</sup>
    - Ratio: <sup>122</sup>/<sub>1</sub> \*\*
  - 1450-15000 PSIG (99.97 - 1034.21 bar)
    - Diameter: 0.313"
    - Area: 0.0769 in<sup>2</sup>
    - Ratio: <sup>163</sup>/<sub>1</sub> \*\*
  - 2000-20000 PSIG (137.90 - 1378.95 bar)
    - Diameter: 0.25"
    - Area: 0.0491 in<sup>2</sup>
    - Ratio: <sup>256</sup>/<sub>1</sub> \*\*

\*\* 4.0" diameter diaphragm  
Diaphragm area: 12.5664 in<sup>2</sup>

- **FLOW (Cv):** 0.06, 0.12, or 0.30
- **OPERATING TEMPERATURE:**
  - -15°F/-26°C to 165°F/74°C (BUNA-N)
  - -4°F/-20°C to 165°F/74°C (VITON®)
  - -65°F/-54°C to 165°F/74°C (EPDM)

\*\*lower temperature compounds available upon request

## MATERIALS OF CONSTRUCTION

- **WETTED PARTS, OTHER:**
  - 316 Stainless Steel
  - 17-4 Stainless Steel
- **VALVES:**
  - 17-4 Stainless Steel, hardened
- **HOUSING, AIR ACTUATOR:**
  - 6061-T6 Aluminum, Clear Anodized
- **DIAPHRAGM, AIR ACTUATOR:**
  - Neoprene, Nylon Fabric Reinforced
- **O-RING OPTIONS:**
  - BUNA-N
  - AFLAS®
  - Viton®
  - EPDM
  - KALREZ® (Contact factory for pricing)
- **BACK-UP RINGS: PCTFE & PEEK®**
- **VALVE SEAT:**
  - 17-4 Stainless Steel, hardened

## PORTING

- **INLET / OUTLET / VENT PORTING OPTIONS :**
  - 1/4" Medium Pressure, High Pressure
  - 3/8" Medium Pressure, High Pressure
- **LOAD PORT:** 1/4" FNPT standard  
*see mods on pg. 3 for other load port options*

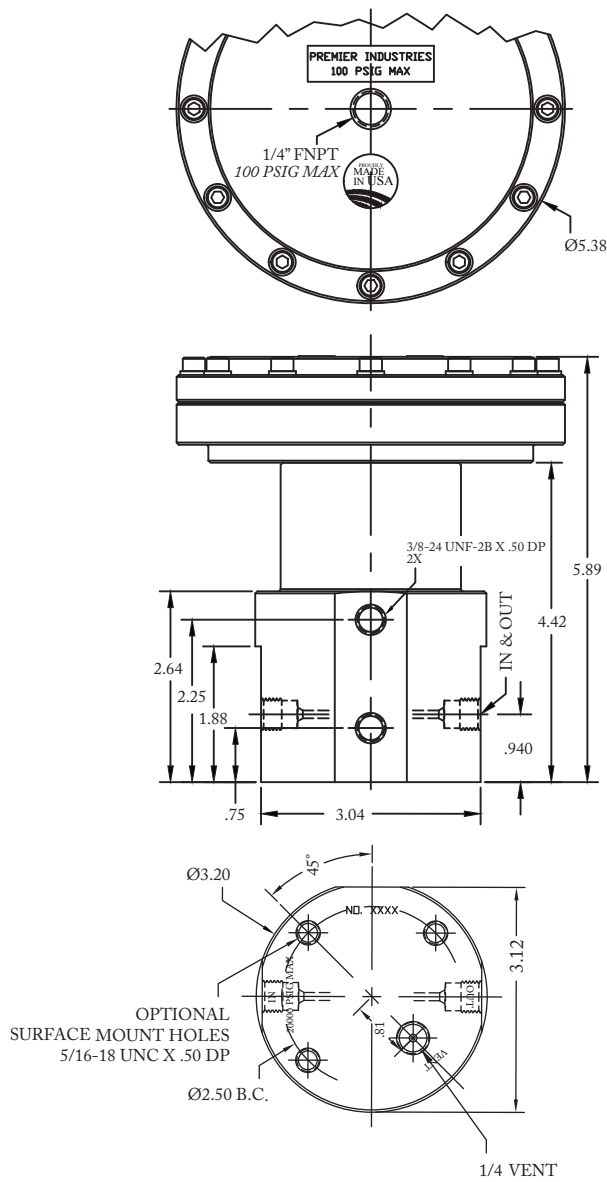
## OPTIONAL ITEMS

- Private label
- Panel mounting bracket: P/N: 30-10500  
(2.53 in panel hole)

Viton® and Kalrez® are registered trademarks of  
E.I.duPont de Nemours and Company  
PEEK® is a trademark of Victrex PLC

Contact factory for material certifications. Fees may apply.

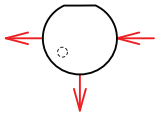
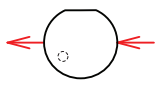
PART NUMBER: 30-10215AL



# 6025AL SERIES

Air Loaded, High Pressure, Hydraulic, 20000 PSIG  
Pressure Reducing Regulators

PART #:	-	1	2	3	4	5	-	6	7	-	MODS
30-10215AL	-						-			-	

1	OUTLET PRESSURE
3	300 - 3000 psig (20.68 - 206.84 bar)
6	600 - 6000 psig (41.37 - 413.69 bar)
7	950 - 10000 psig (65.50 - 689.48 bar)
8	1450 - 15000 psig (99.97-1034.21 bar)
9	2000 - 20000 psig (137.90-1378.95 bar)
2	FLOW (Cv)
0	Cv 0.06
1	Cv 0.12
3	Cv 0.30
3	PORTING CONFIG.
B	
S	

4	PORT SIZE (IN/OUT)
4	1/4"
6	3/8"
<i>VENT PORT: 1/4" inlet/outlet port type</i> <i>LOAD PORT: 1/4" FNPT standard, see mods for additional load port options.</i>	
5	PORT TYPE (IN/OUT/VENT)
4	Medium pressure
5	High pressure
6 7	O-RINGS
00	BUNA-N
01	AFLAS®
02	VITON®
05	EPDM
11	KALREZ® <i>(Contact factory for pricing)</i>

MODIFICATIONS	
BLANK	NONE
AS	1/4 AS5202 LOADER PORT
E	1/8 NPT LOADER PORT
J	1/4 SAE J1926 LOADER PORT
SM	SURFACE MOUNT

**20000 PSIG MAX INLET**  
*(stainless steel)*  
*The end user is responsible to ensure adequate fittings are used to connect regulator to plumbing.*

*Kalrez® & Viton® are registered trademarks of E.I. duPont de Nemours and Company*

*Contact factory for material certifications. Fees may apply.*

## 6250 SERIES

Single Stage, Diaphragm Sensed, Hydraulic  
Pressure Reducing Regulators



Introducing the Premier 6250 Series hydraulic, single stage, diaphragm sensed, pressure reducing regulator. Premier 6250 Series regulators are designed for max inlet pressures up to 3500 PSIG (241.3 bar), and Cv 0.20. These hydraulic, pressure reducing regulators are versatile, offered with multiple materials, porting configurations, mounting styles etc. Gauges are optional, and two seat materials are offered, PEEK® and Vespel®.

### FEATURES

- 3500 PSIG (241.3 bar) max inlet pressure
- Cv 0.20 MAX
- Machined bar stock body, bonnet, and piston eliminates porosity found in castings
- Optional panel mounting and mounting holes available

**SOME APPLICATIONS WILL REQUIRE A CUSTOM SOLUTION.**  
CONTACT PREMIER INDUSTRIES TO REQUEST A MODIFICATION  
OR A CUSTOM DESIGN.

## SPECIFICATIONS

- **MAXIMUM INLET PRESSURE:**
  - 3500 PSIG (241.3 bar)
- **CONTROL PRESSURE RANGES:**
  - 0-10 PSIG (0 - 0.69 bar)
  - 0-25 PSIG (0 - 1.72 bar)
  - 0-50 PSIG (0 - 3.45 bar)
  - 0-100 PSIG (0 - 6.89 bar)
  - 0-250 PSIG (0 - 17.24 bar)
  - 0-500 PSIG (0 - 34.47 bar)
- **FLOW (Cv):** 0.20

## MATERIALS OF CONSTRUCTION

- **BODY OPTIONS:**
  - 6061-T6 Aluminum, Clear Anodized
  - 316 Stainless Steel
  - SAE 360 Brass, Nickel Plated
  - Inconel 625
  - Inconel 625, NACE compliant
- **BONNET OPTIONS:**
  - SAE 360 Brass, Nickel Plated  
(Brass and 316 Stainless Steel body options)
  - 6061-T6 Aluminum, Clear Anodized  
(6061-T6 Aluminum, Clear Anodized body options)
  - 303 Stainless Steel  
(Inconel 625 body options)
- **DIAPHRAGM:**
  - 316 Stainless Steel (standard)
  - Elgiloy® (Inconel 625 body options)
- **O-RING SEALS:** PTFE
- **VALVE SEAT:**
  - PEEK®
  - Vespel®
- **WETTED MATERIALS:**
  - 300 Series Stainless Steel  
(for aluminum & brass bodies)
  - 316 Stainless Steel  
(for 316 stainless steel and Inconel 625 bodies)
  - Monel®  
(for Inconel 625, NACE compliant bodies)
- **OPTIONAL PANEL MOUNTING NUTS:**
  - 6061-T6 Aluminum/Nickel Plated

## PORTING

- **INLET:**
  - 1/4 FNPT
- **OUTLET:**
  - 1/4 FNPT

## OPTIONS

- Gauges
- Private label
- Panel mounting bonnet & nut
- Bottom mount

Vespel® is a registered trademark of E.I. duPont de Nemours and Company. Monel® is a registered trademark of Special Metals Corporation

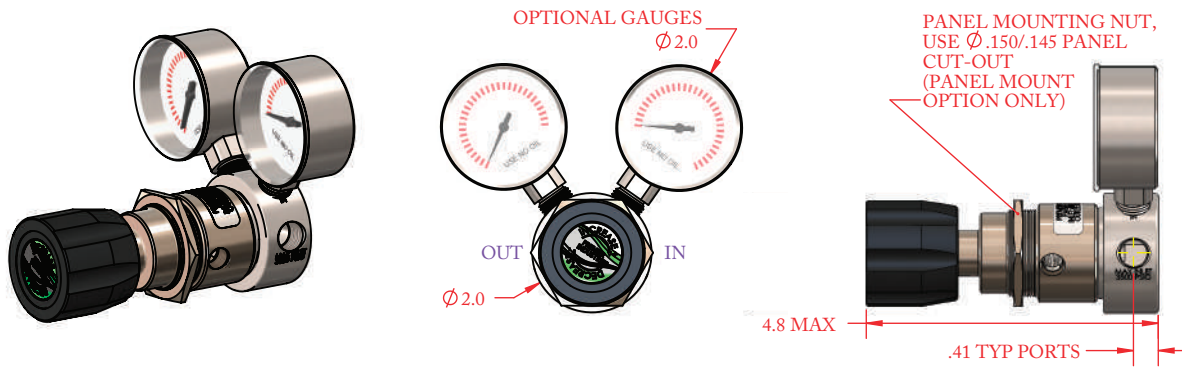
PEEK® is a registered trademark of Victrex PLC. Elgiloy® is a registered trademark of Elgiloy Specialty Metals Division, Combined Metals of Chicago L.L.C.

Contact factory for material certifications. Fees may apply.

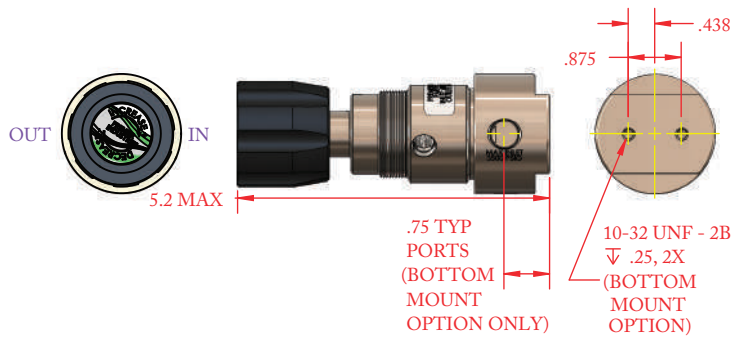
# 6250 SERIES

Single Stage, Diaphragm Sensed, Hydraulic Pressure Reducing Regulators

**PART NUMBER: 50-12414-2S-XX-22**



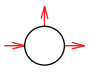
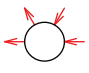
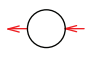
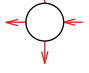
**PART NUMBER: 50-12414-1C-XX**



# 6250 SERIES

Single Stage, Diaphragm Sensed, Hydraulic  
Pressure Reducing Regulators

PART #	-	1	2	-	3	4	-	5	6
50-12414	-			-			-		

1	BODY MATERIAL & FINISH
1	6061-T6 Aluminum, <i>clear anodize</i>
2	316 Stainless Steel, <i>cleaned per spec #515</i>
3	SAE 360 Brass, <i>Nickel Plated</i>
8	Inconel 625, <i>cleaned per spec #515</i> <i>NACE compliant</i> <i>(Other wetted materials: Monel®)</i>
9	Inconel 625, <i>cleaned per spec #515</i> <i>(Other wetted materials:</i> <i>316 Stainless Steel)</i>
2	PORTING CONFIGURATIONS
B	
S	
C	
E	

3	MAIN VALVE SEAT MATERIAL
1	PEEK®
2	Vespel®
4	OUTLET PRESSURE (OUTLET GAUGE RANGE)
1	0 - 10 PSIG / 0 - 0.69 bar <i>(0-15 PSIG gauge)</i>
2	0 - 25 PSIG / 0 - 1.72 bar <i>(0-30 PSIG gauge)</i>
3	0 - 50 PSIG / 0 - 3.45 bar <i>(0-60 PSIG gauge)</i>
4	0 - 100 PSIG / 0 - 6.89 bar <i>(0-160 PSIG gauge)</i>
5	0 - 250 PSIG / 0 - 17.24 bar <i>(0-400 PSIG gauge)</i>
6	0 - 500 PSIG / 0 - 34.47 bar <i>(0-1000 PSIG gauge)</i>
5	GAUGES
1	No gauges
2	Include gauges
<i>Inlet gauge on porting configuration S. Outlet gauge on configurations S E &amp; B.</i>	

6	MOUNTING OPTION
1	None
2	Panel mount
3	Bottom mount
4	Panel mount & bottom mount

*Vespel® is a registered trademark of  
E.I. duPont de Nemours and Company.  
Monel® is a registered trademark of  
Special Metals Corporation  
PEEK® is a registered trademark of  
Vitrex PLC.*

*Contact factory for material certifications.  
Fees may apply.*



# 6250DLB SERIES

Dome Loaded, Bias Spring, Hydraulic, Diaphragm Sensed  
Pressure Reducing Regulators



Premier 6250DLB Series dome loaded/bias spring, single stage, diaphragm sensed, pressure reducing regulators, are rated for inlet pressure up to 3000 PSIG (206.84 bar), load pressures up to 500 PSIG (34.47 bar), and Cv 0.08 or 0.20. 6250DLB Series regulators are elastomer free and designed for use in tracking applications.

## FEATURES

- Compatible with electro pneumatic controllers
- Elastomer free
- Designed for tracking applications
- 3000 PSIG (206.84 bar) max inlet pressure
- Cv 0.08 or 0.20

**SOME APPLICATIONS WILL REQUIRE A CUSTOM SOLUTION.**  
CONTACT PREMIER INDUSTRIES TO REQUEST A MODIFICATION  
OR A CUSTOM DESIGN.

## SPECIFICATIONS

- **MAXIMUM INLET PRESSURE:**
  - 3000 PSIG (206.84 bar)
- **MAXIMUM LOAD PRESSURE:**
  - 500 PSIG (34.47 bar)
- **PRESET SPRING BIAS:**
  - up to 100 PSIG (6.89 bar)
- **FLOW (Cv):** 0.08, or 0.20

## MATERIALS OF CONSTRUCTION

- **PROCESS WETTED MATERIAL OPTIONS:**
  - 316 Stainless Steel
  - 303 Stainless Steel
  - Monel 405® & Elgiloy®
  - SAE 360 Brass, Nickel Plated  
*Contact factory for pricing*
  - Monel 405® & Elgiloy® for process AND dome side
  - 316 Stainless Steel & Elgiloy® for process AND dome side *NACE MR0175 COMPLIANT*
- **DIAPHRAGM:**
  - 316 Stainless Steel
- **VALVE SEAT:**
  - PEEK®
- **SEALS:**
  - PTFE
- **OTHER WETTED MATERIALS (DOME SIDE):**
  - 316 Stainless Steel  
*(for 316 stainless steel & monel process options)*
  - SAE 360 Brass, Nickel Plated  
*(for SAE 360 brass nickel plated option)*
  - Monel 405®/Elgiloy®  
*(for option 50-12662-5XX-XXX)*
  - 316 Stainless Steel /Elgiloy®  
*(for option 50-12662-6XX-XXX)*

## PORTING

- **INLET:**
  - 1/4" FNPT
- **OUTLET:**
  - 1/4" FNPT
- **LOAD PORT:**
  - 1/4" FNPT

## OPTIONS

- Private label
- Gauges

Monel® is a registered trademark of Special Metals Corporation. PEEK is a trademark of Victrex PLC  
Elgiloy® is a registered trademark of Elgiloy Specialty Metals Division, Combined Metals of Chicago L.L.C

Contact factory for material certifications. Fees may apply.

# 6250DLB SERIES

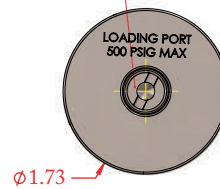
Dome Loaded, Bias Spring, Hydraulic, Diaphragm Sensed Pressure Reducing Regulators

PART NUMBER: 50-12662



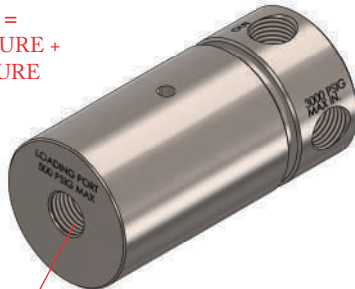
OUTLET PORTS: 1/4-18 FNPT

SPRING BIAS ADJUSTMENT SCREW  
100 PSIG MAX SPRING BIAS



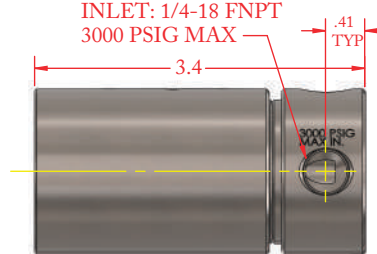
Ø1.73

OUTLET PRESSURE =  
DOME LOAD PRESSURE +  
SPRING BIAS PRESSURE



DOME LOADING PORT:  
1/4-18 FNPT, 500 PSIG MAX

INLET: 1/4-18 FNPT  
3000 PSIG MAX



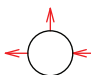
.41  
TYP

3.4

# 6250DLB SERIES

Dome Loaded, Bias Spring, Hydraulic, Diaphragm Sensed  
Pressure Reducing Regulators

PART #	-	1	2	3	-	XXX
50-12662	-				-	

1	PROCESS WETTED MATERIALS
1	316 Stainless Steel
2	303 Stainless Steel
3	Monel 405® & Elgiloy®
4	SAE 360 Brass, Nickel Plated <i>Contact factory for pricing</i>
5	Monel 405® & Elgiloy® for process AND dome side
6	316 Stainless Steel & Elgiloy® for process AND dome side <i>NACE MR0175 COMPLIANT</i>
2	PORTING OPTIONS
1	'A' Porting 
2	'C' Porting
3	'T' Porting

3	FLOW COEFFICIENT (Cv)
1	Cv 0.08 max
2	Cv 0.20 max
XXX	PRESET SPRING BIAS
<p>**Preset spring bias pressure at 3000 psig inlet pressure. Specify 0-100. Pressure units are psig. (EX: specify '30' for 30 psig spring bias pressure.) Preset spring bias pressure is field adjustable by qualified technicians only.</p>	

*Monel® is a registered trademark of Special Metals Corporation  
Elgiloy® is a registered trademark of Elgiloy Specialty Metals  
Division, Combined Metals of Chicago L.L.C  
Contact factory for material certifications. Fees may apply.*

## 6500 SERIES

Miniature, High Pressure, Hydraulic  
Pressure Reducing Regulators



Premier 6500 Series pressure reducing regulators are your affordable and compact solution for high pressure hydraulic applications. These rugged, piston sensed regulators are designed to control inlet pressures up to 6000 PSIG (413.69 bar). They feature a wide range of field adjustable delivery pressure ranges up to 6000 PSIG (413.69 bar), and Cv: 0.06 or 0.2. With a variety of construction material options, porting configurations, hand-knob styles, and mounting options, you can be confident the Premier 6500 Series pressure reducing regulator will integrate seamlessly into your hydraulic application.

### FEATURES

- Piston Sensed
- Main valve cartridge
- 3 knob styles: basic, fluted, and tee handle
- Machined bar stock body and piston eliminates porosity found in castings
- Rear mounting holes and threaded bonnet standard, optional panel mounting nuts available
- Lightweight aluminum clear anodized body standard
- Two, three, or four ¼" NPTF ports standard
- Non-venting
- Field adjustable outlet pressure ranges
- Minimal soft goods
- Compact and economically priced
- Optional tamper resistant acorn nut

**SOME APPLICATIONS WILL REQUIRE A CUSTOM SOLUTION.**  
CONTACT PREMIER INDUSTRIES TO REQUEST A MODIFICATION  
OR A CUSTOM DESIGN.

## SPECIFICATIONS

- **MAXIMUM INLET PRESSURE:**
  - 6000 PSIG (413.69 bar)
- **CONTROL PRESSURE RANGES:**
  - 0-80 PSIG (0-5.52 bar)
  - 0-140 PSIG (0-9.65 bar)
  - 0-220 PSIG (0-15.17 bar)
  - 5-700 PSIG (0.34-48.26 bar)
  - 5-1200 PSIG (0.34-82.74 bar)
  - 5-1800 PSIG (0.34-124.11 bar)
  - 5-2500 PSIG (0.34 - 172.37 bar)
  - 10-6000 PSIG (0.69-413.69 bar)
- **Cv:** 0.06 or 0.2
- **DESIGN PROOF PRESSURE:**
  - 150% maximum rated
- **LEAK RATE:** Bubble tight N<sub>2</sub>

## MATERIALS OF CONSTRUCTION

- **BODY:**
  - 6061-T6 Aluminum, Clear Anodized (standard)
  - 303 Stainless Steel
  - 316 Stainless Steel
  - SAE 360 Brass/Nickel Plated\*  
*\*Contact factory for pricing*
  - Monel®
- **WETTED PARTS:**
  - 316 Stainless Steel  
(with 316 stainless steel body option)
  - 300 Series Stainless Steel /
  - 17-4 Stainless Steel  
(with all other body options)
- **SEALS:**
  - Low-temperature nitrile (standard)
  - Nitrile
  - Viton®
  - EPDM
  - Neoprene
- **VALVE SEAT:**
  - PEEK® (standard)
  - Vespel®

## PORTING

- **STANDARD INLETS:** 1/4" FNPT
- **STANDARD OUTLETS:** 1/4" FNPT
- **PORT OPTIONS:**
  - Two, three, or four port versions available

## OPTIONAL ITEMS

- Gauges (plug): *stainless steel for both stainless body options, chrome plated brass for all other options*
- Basic handknob, fluted handknob, tee handle, or acorn nut
- Panel mounting nuts (*threaded bonnet and mounting holes standard*)
- CGA fittings
- Private label

PEEK is a registered trademark of Victrex PLC  
Vespel and Viton are registered trademarks of E.I. duPont de Nemours and Company  
Monel® is a registered trademark of Special Metals Corporation.

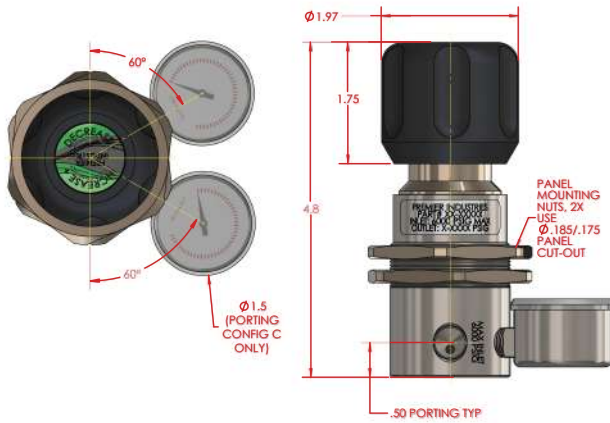
Contact factory for material certifications. Fees may apply.

# 6500 SERIES

Miniature, High Pressure, Hydraulic Pressure Reducing Regulators

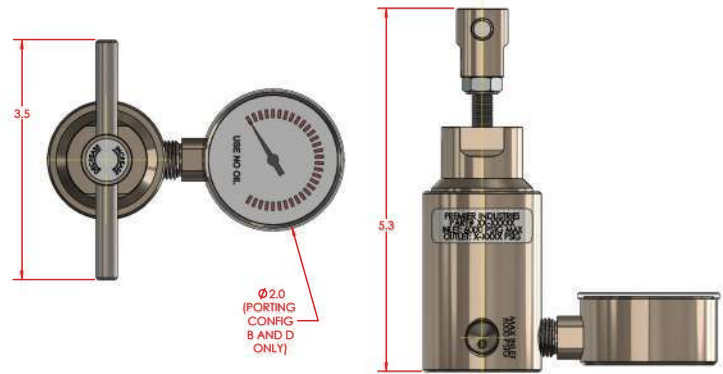
**PART NUMBER: 50-12283-2CXXXX222**

*fluted knob*



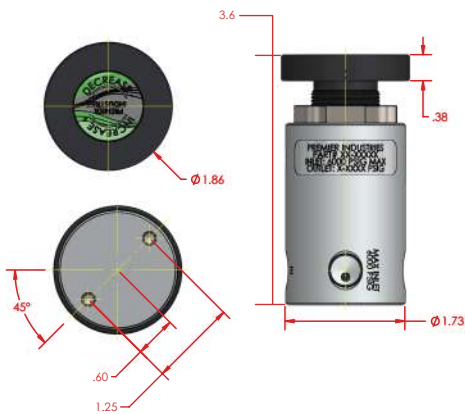
**PART NUMBER: 50-12283-4DXXXX312**

*tee handle*


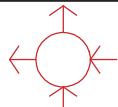
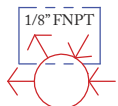
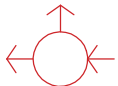


**PART NUMBER: 50-12283-1BXXXX110**

*standard knob*



PART #	-	1	2	-	3	4	-	5	6	-	7	8	9
50-12283	-			-			-			-			

1	BODY MATERIAL & FINISH
1	6061-T6 Aluminum <i>Clear Anodized</i>
2	303 Stainless Steel <i>Clean per spec #515</i>
3	316 Stainless Steel <i>Clean per spec #515</i>
4	SAE 360 Brass <i>Nickel Plated</i>
5	Monel 400®
2	PORTING CONFIGURATIONS
A	
B	
C*	
D	

3	OUTLET PRESSURE
1	0-80 PSIG <i>(0 - 5.52 bar)</i>
2	0-140 PSIG <i>(0 - 9.65 bar)</i>
3	0-220 PSIG <i>(0 - 15.17 bar)</i>
4	5-700 PSIG <i>(0.34 - 48.26 bar)</i>
5	5-1200 PSIG <i>(0.34 - 82.73 bar)</i>
6	5-1800 PSIG <i>(0.34 - 124.12 bar)</i>
7	5-2500 PSIG <i>(0.34 - 172.37 bar)</i>
8	10-6000 PSIG <i>(0.69 - 413.69 bar)</i>
4	MAIN VALVE (Cv)
1	0.06 max
2	0.20 max
5	O-RING SEAL MATERIAL
1	Nitrile
2	Low-temp nitrile
3	Viton®
4	EPDM
5	Neoprene

6	SEAT MATERIAL
4	PEEK®
5	Vespel®
7	HAND KNOB
1	Basic knob
2	Fluted knob
3	Tee handle
4	None <b>** locked / tamper resistant</b>
8	MOUNTING <i>(threaded bonnet standard)</i>
1	Mounting holes
2	Panel mounting nuts & mounting holes
9	GAUGES
0	None
2	Include gauges <i>(port config. "A" not available with gauges)</i>

\* All ports are 1/4" FNPT unless otherwise indicated on the porting configurations.

**\*\*TAMPER RESISTANT ACORN NUT**  
THE END USER IS RESPONSIBLE TO SPECIFY A PRESET OUTLET PRESSURE. IF AN OUTLET PRESSURE IS NOT SPECIFIED, THE PRESSURE WILL BE LEFT UNSET. NEVER EXCEED THE MAXIMUM OUTLET PRESSURE SPECIFIED ON THE PART NUMBER.

PEEK is a registered trademark of Victrex PLC  
Vespel and Viton are registered trademarks of E.I. duPont de Nemours & Company. Monel® is a registered trademark of Special Metals Corporation.

Contact factory for material certifications. Fees may apply.



# 6500AL SERIES

Air Loaded, High Pressure, Hydraulic  
Pressure Reducing Regulators



Premier 6500AL Series air loaded, pressure reducing regulators are your affordable and compact solution for high pressure, hydraulic applications. These rugged, piston sensed regulators are rated for 6000 PSIG (413.69 bar) and Cv: 0.06 or 0.2. With a maximum loading pressure of 1000 PSIG, and three available load ratios, 2:1, 3:1, and 4:1, a vast range of outlet pressures can be controlled (*maximum outlet pressure of 4000 PSIG / 275.79 bar with a 4:1 ratio*). Premier 6500AL regulators feature captured venting to safely pipe away expelled media. With a variety of construction material options, load ratios, porting configurations, and mounting options, you can be confident the Premier 6500AL Series air loaded, pressure reducing regulator will integrate seamlessly into your hydraulic application.

## FEATURES

- Compatible with electro-pneumatic controllers & manual pilot regulators
- Piston Sensed
- Captured venting
- Compact design
- Machined bar stock body and piston eliminates porosity found in castings
- Bottom mount (*standard*)
- Optional panel mounting
- Two or four port designs available

**SOME APPLICATIONS WILL REQUIRE A CUSTOM SOLUTION.**  
CONTACT PREMIER INDUSTRIES TO REQUEST A MODIFICATION  
OR A CUSTOM DESIGN.

## SPECIFICATIONS

- **MAXIMUM INLET PRESSURE:**
  - 6000 PSIG (413.69 bar)
- **MAXIMUM LOADING PRESSURE:**
  - 1000 PSIG (68.95 bar)
- **OUTLET:LOADER PRESSURE RATIO:**
  - 2:1, 2000 PSIG MAX (137.9 bar)
  - 3:1, 3000 PSIG MAX (206.84 bar)
  - 4:1, 4000 PSIG MAX (275.79 bar)
- **Cv:** 0.06 or 0.2
- **LEAK RATE:** Bubble tight N<sub>2</sub>

## MATERIALS OF CONSTRUCTION

- **BODY & BONNET:**
  - 6061-T6 Aluminum, Clear Anodized (standard)
  - 303 Stainless Steel
  - 316 Stainless Steel
- **PISTON & HOUSING:**
  - 303 stainless steel  
(303 stainless body & aluminum body)
  - 316 Stainless steel  
(316 stainless body)
- **MAIN VALVE COMPONENTS:**
  - 300 Series Stainless Steel  
(303 stainless steel body/aluminum body)
  - 316 Stainless steel  
(316 stainless steel body)
- **MAIN VALVE SEAT:**
  - PEEK®
  - Vespel®
- **O-RING SEALS:**
  - Nitrile
  - Viton®
  - EPDM
  - Neoprene
- **PANEL MOUNTING NUTS (OPTIONAL):**
  - 6061-T6 Aluminum, Nickel Plated

## PORTING

- **STANDARD INLETS:** 1/4" FNPT
- **STANDARD OUTLETS:** 1/4" FNPT
- **DOME PORT:** 1/4" FNPT
- **VENT PORT:** 1/4" FNPT
- **GAUGE PORTS:** 1/8" FNPT

## OPTIONS

- Gauges
- Private label
- Panel mounting nuts (X2 required)  
(Order Separately: P/N 50-11803)
- For custom materials of construction  
(monel®, hastelloy® etc.) please contact factory.

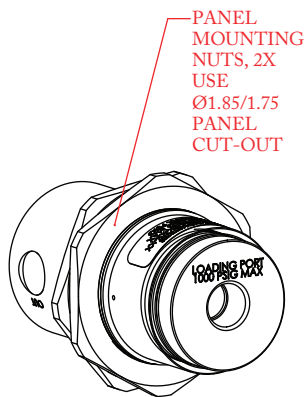
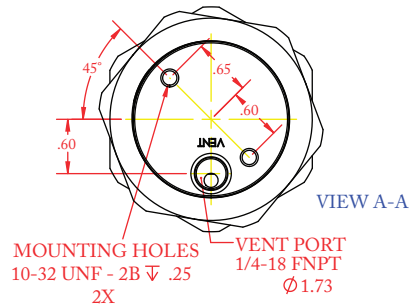
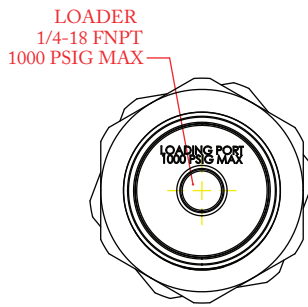
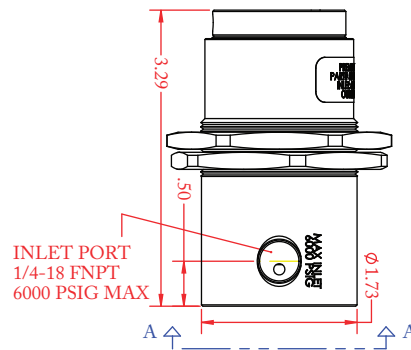
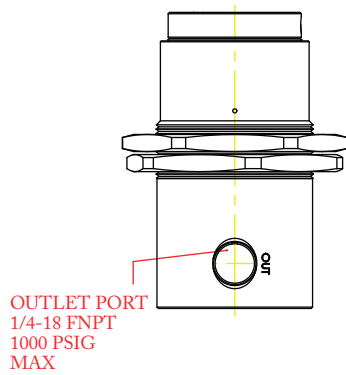
PEEK® is a registered trademark of Victrex PLC. Monel is a registered trademark of Special Metals Corporation. Vespel® and Viton® are registered trademarks of E.I. duPont de Nemours and Company. Hastelloy® is a registered trademark of Haynes International, Inc.

Contact factory for material certifications. Fees may apply.

# 6500AL SERIES

Air Loaded, High Pressure, Hydraulic  
Pressure Reducing Regulators

**PART NUMBER: 50-12370**



# 6500AL SERIES

Air Loaded, High Pressure, Hydraulic  
Pressure Reducing Regulators

PART #	-	1	2	-	3	4	5	-	6	7	-	MODS
50-12370	-			-				-			-	

1	BODY & BONNET MATERIAL / FINISH
1	6061-T6 Aluminum <i>Clear Anodize</i>
2	303 Stainless Steel <i>Clean per spec #515</i>
3	316 Stainless Steel <i>Clean per spec #515</i>
2	PORTING
1	2 port
2	4 port
3	O-RING MATERIAL
1	Nitrile
2	Viton®
3	EPDM
4	Neoprene

4	SEAT MATERIAL
4	PEEK®
5	Vespel®
5	Cv (FLOW)
1	0.06
2	0.2
6	GAUGES
1	None
2	Include gauges <i>(4 port only)</i>

7	OUTLET:LOADER RATIO
2	2:1 (2000 psig / 137.9 bar <i>max outlet</i> )
3	3:1 (3000 psig / 206.84 bar <i>max outlet</i> )
4	4:1 (4000 psig / 275.79 bar <i>max outlet</i> )
MODIFICATIONS	
BLANK	None
M	Use molykote 44 medium as lubricant

PEEK® is a registered trademark of Victrex PLC  
Vespel® and Viton® are registered trademarks of  
E.I.duPont de Nemours & Company  
For custom materials of construction (monel®,  
hastelloy® etc.) please contact factory.

Contact factory for material certifications.  
Fees may apply.

# 6500DL SERIES

Dome Loaded, High Pressure, Hydraulic  
Pressure Reducing Regulators



Premier 6500DL Series dome loaded, pressure reducing regulators are your affordable and compact solution for high pressure hydraulic applications. These rugged, piston sensed regulators are rated for 6000 PSIG (413.69 bar), feature a 1:1 loader with a maximum outlet pressure of 1000 PSIG (68.95 bar) and Cv: 0.06 or 0.2. Premier 6500DL regulators feature captured venting to safely pipe away expelled hydraulic media. With a variety of construction material options, porting configurations, and mounting options, you can be confident the Premier 6500DL Series dome loaded, pressure reducing regulator will integrate seamlessly into your hydraulic application.

## FEATURES

- Compatible with electro-pneumatic controllers
- Piston Sensed
- Captured venting
- Lightweight, compact design
- Machined bar stock body and piston eliminates porosity found in castings
- Bottom mount (*standard*)
- Optional threaded body & panel mounting nuts
- Two or four port designs available
- 1:1 loader with max outlet pressure of 1000 PSIG (68.95 bar)
- Minimal soft goods
- Cv: 0.06 or 0.2

**SOME APPLICATIONS WILL REQUIRE A CUSTOM SOLUTION.**  
CONTACT PREMIER INDUSTRIES TO REQUEST A MODIFICATION  
OR A CUSTOM DESIGN.

## SPECIFICATIONS

- **MAXIMUM INLET PRESSURE:**
  - 6000 PSIG (413.69 bar)
- **OUTLET PRESSURE:**
  - 1000 PSIG (68.95 bar)
- **MAX DOME LOAD:** 1000 PSIG (68.95 bar)
- **LOAD RATIO:** 1:1\*\*

\*\* **Cv 0.06:** an additional 10-50 psi (0.69- 3.45 bar) dome load is required to maintain a 1:1 outlet pressure to dome load ratio.

**Cv 0.2:** an additional 10-70 psi (0.69- 3.45 bar) dome load is required to maintain a 1:1 outlet pressure to dome load ratio.

- **Cv:** 0.06 or 0.2
- **LEAK RATE:** Bubble tight N<sub>2</sub>

## MATERIALS OF CONSTRUCTION

- **BODY & BONNET:**
  - 6061-T6 Aluminum, Clear Anodized (*standard*)
  - 303 Stainless Steel
  - 316 Stainless Steel
- **PISTON & HOUSING:**
  - 303 stainless steel  
(303 stainless body & aluminum body)
  - 316 Stainless steel  
(316 stainless body)
- **MAIN VALVE COMPONENTS:**
  - 300 Series Stainless Steel  
(303 stainless steel body/aluminum body)
  - 316 Stainless steel  
(316 stainless steel body)
- **MAIN VALVE SEAT:**
  - PEEK®
  - Vespel®
- **O-RING SEALS:**
  - Nitrile
  - Viton®
  - EPDM
  - Neoprene
- **PANEL MOUNTING NUTS (OPTIONAL):**
  - 6061-T6 Aluminum, Nickel Plated

## PORTING

- **STANDARD INLETS:** 1/4" FNPT
- **STANDARD OUTLETS:** 1/4" FNPT
- **DOMES PORT:** 1/4" FNPT
- **VENT PORT:** 1/4" FNPT
- **GAUGE PORTS:** 1/8" FNPT

## OPTIONS

- Gauges
- Private label
- Panel mounting nuts (*X2 required*)  
(*Order Separately: P/N 50-11803*)
- For custom materials of construction  
(*monel®*, *hastelloy®* etc.) please contact factory.

PEEK is a registered trademark of Victrex PLC. Monel is a registered trademark of Special Metals Corporation  
Vespel and Viton are registered trademarks of E.I. duPont de Nemours and Company  
Hastelloy is a registered trademark of Hayes International, Inc.

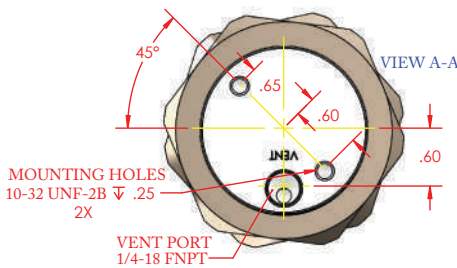
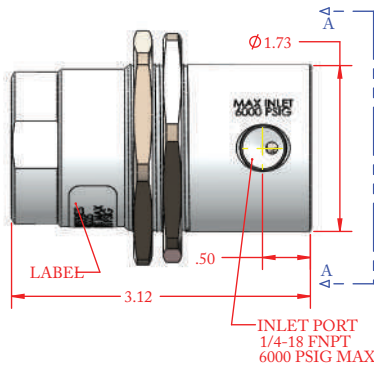
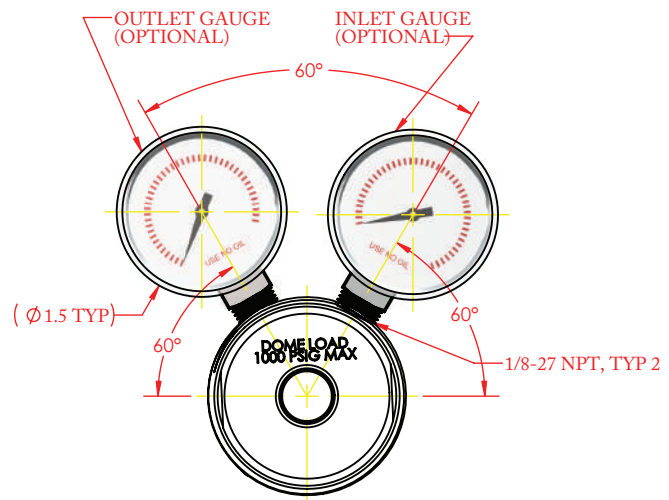
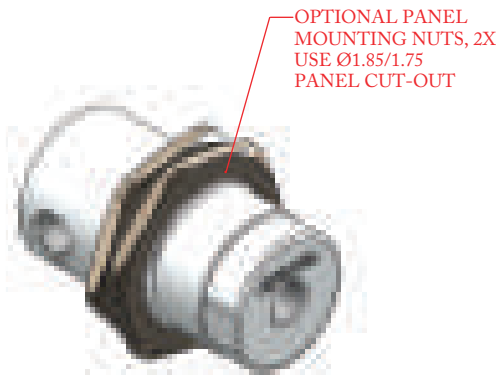
Contact factory for material certifications. Fees may apply.

# 6500DL SERIES

Dome Loaded, High Pressure, Hydraulic Pressure Reducing Regulators

PART NUMBER: 50-12225-11XX1

PART NUMBER: 50-12225-12XX2



# 6500DL SERIES

Dome Loaded, High Pressure, Hydraulic  
Pressure Reducing Regulators

PART #	-	1	2	-	3	4	-	5	6
50-12225	-			-			-		

1	BODY & BONNET MATERIAL / FINISH
1	6061-T6 Aluminum <i>Clear Anodize</i>
2	303 Stainless Steel <i>Clean per spec #515</i>
3	316 Stainless Steel <i>Clean per spec #515</i>
2	PORTING
1	2 port
2	4 port
3	O-RING MATERIAL
1	Nitrile
2	Viton®
3	EPDM
4	Neoprene

4	SEAT MATERIAL
4	PEEK®
5	Vespel®
5	Cv RATING
1	0.06
2	0.2
6	GAUGES
1	None
2	Include gauges <i>(4 port only)</i>

*PEEK is a registered trademark of Victrex PLC  
Vespel and Viton are registered trademarks of E.I. du-  
Pont De Nemours and Company  
For custom materials of construction (monel®,  
hastelloy® etc.) please contact factory.*

*Contact factory for material certifications. Fees may apply.*



## 6560 SERIES

Miniature, Hydraulic, High Pressure, Captured Venting  
Pressure Reducing Regulator



Premier 6560 Series pressure reducing regulators are your affordable and compact solution for high pressure hydraulic applications. These rugged, piston sensed regulators are designed for inlet pressures up to 10000 PSIG (689.48 bar). They feature a wide range of delivery pressure ranges up to 10000 PSIG (689.48 bar), and include a tamper resistant captured vent.

### FEATURES

- 10000 psig (689.48 bar) max
- Captured-venting
- Cv 0.06, or 0.20
- Machined bar stock body and piston eliminates porosity found in castings
- Rear mounting holes standard with optional panel mounting nuts
- Compact and economically priced

**SOME APPLICATIONS WILL REQUIRE A CUSTOM SOLUTION.**  
CONTACT PREMIER INDUSTRIES TO REQUEST A MODIFICATION  
OR A CUSTOM DESIGN.

## SPECIFICATIONS

- **MAXIMUM INLET PRESSURE:**
  - 10000 PSIG (689.48 bar)
- **CONTROL PRESSURE RANGES:**
  - 0-250 PSIG (0-17.24 bar)
  - 5-500 PSIG (0.34-34.47 bar)
  - 5-800 PSIG (0.34-55.16 bar)
  - 10-1500 PSIG (0.69-103.42 bar)
  - 15-2500 PSIG (1.03-172.37 bar)
  - 25-4000 PSIG (1.72-275.79 bar)
  - 50-6000 PSIG (3.45-413.69 bar)
  - 100-10000 PSIG (6.89-689.48 bar)
- **Cv:** 0.06, 0.20

## MATERIALS OF CONSTRUCTION

- **BODY:**
  - 303 Stainless Steel
  - 316 Stainless Steel
- **BONNET:**
  - 303 Stainless Steel (*Non-wetted*)
- **VALVE STEM:**
  - 17-4 Stainless Steel
- **MAIN VALVE COMPONENTS:**
  - Vespe<sup>l</sup>® and PEEK® seat options:
    - 300 Series Stainless Steel
  - 316 Stainless Steel seat option:
    - 316 Stainless Steel, 17-4 Stainless Steel, 440C Stainless Steel
- **SENSOR PISTON & HOUSING:**
  - 17-4 Stainless Steel
- **SEALS:**
  - Buna-N
  - Viton®
  - EPDM
  - Low-temperature nitrile
- **BACKUP RINGS:**
  - PTFE
- **MAIN VALVE & VENT VALVE SEAT OPTIONS:**
  - Vespe<sup>l</sup>® SP-1
  - PEEK®
  - 316 Stainless Steel

## PORTING

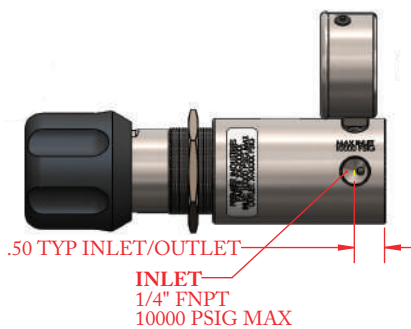
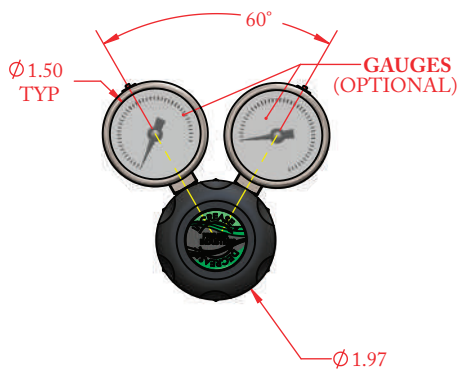
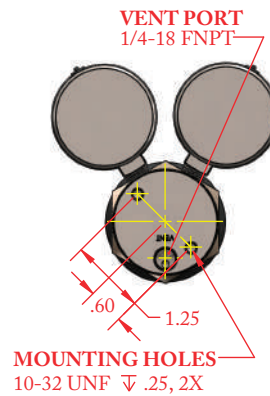
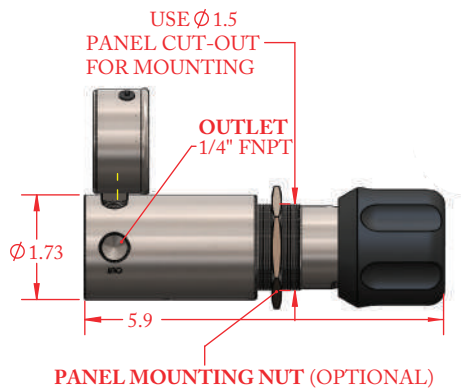
- **STANDARD INLET:** 1/4" FNPT
- **STANDARD OUTLET:** 1/4" FNPT
- **GAUGE PORTS:** 1/8" FNPT
- **VENT PORT:** 1/4" FNPT

## OPTIONAL ITEMS

- Gauges (*316 stainless steel wetted components, 304 stainless steel case, glycerine filled*)
- Panel mounting configuration
- Private label

Vespe<sup>l</sup>® and Viton® are registered trademarks of  
E.I. du Pont de Nemours and Company  
PEEK® is a registered trademark of Victrex PLC

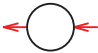

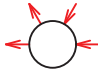
**PART NUMBER: 30-10340**



PART NUMBER	1	-	2	3	4	-	5	6	7
30-10340		-				-			

1	VENT/MAIN VALVE SEAT MATERIAL
V	Vespel®
P	PEEK®
S	316 Stainless Steel
2	OUTLET PRESSURE
1	0-250 psig (0-17.24 bar)
2	5-500 psig (0.34-34.47 bar)
3	5-800 psig (0.34-55.16 bar)
4	10-1500 psig (0.69-103.42 bar)
5	15-2500 psig (1.03-172.37 bar)
6	25-4000 psig (1.72-275.79 bar)
7	50-6000 psig (3.45-413.69 bar)
8	100-10000 psig (6.89-689.48 bar)

3	BODY MATERIAL & FINISH
1	303 Stainless Steel
2	316 Stainless Steel
4	O-RING MATERIAL
1	BUNA-N
2	VITON®
3	EPDM
4	NITRILE, LO-TEMP
5	FLOW (Cv)
1	0.06
2	0.20

6	GAUGES/ PORTING
1	No gauges, 'S' porting 
2	No gauges, 'C' porting 
3	Include gauges, 'C' porting 
7	MOUNTING
1	Bottom mount only
2	Panel mounting & bottom mount

**10000 PSIG MAX INLET**  
The end user is responsible to ensure adequate fittings are used to connect regulator to plumbing.

Vespel® & Viton® are registered trademarks of E.I. duPont de Nemours and Company. PEEK® is a registered trademark of Victrex PLC

Contact factory for material certifications. Fees may apply.

# BACK PRESSURE REGULATORS

## 2100 SERIES

Compact, Diaphragm Sensed  
Back Pressure Regulators



Premier 2100 series back pressure regulators are precision, highly repeatable, diaphragm sensed regulators useful for numerous industrial and R&D controls, monitors, and systems. Premier 2100 Series regulators have a max relief pressure of 500 PSIG (*34.5 bar*), and are fitted with Elgiloy® diaphragms. These regulators are available in a variety of materials for the regulation of a broad range of media.

### FEATURES

- Max relief pressure: 500 PSIG (*34.5 bar*)
- Elgiloy® diaphragm
- Cv: 0.14, or 0.2
- Optional metal to metal seal ensures gas purity and integrity
- Very competitive pricing
- Machined bar stock body, and bonnet eliminates porosity found in castings
- Models are available for both corrosive and non-corrosive service
- Numerous optional features available

**SOME APPLICATIONS WILL REQUIRE A CUSTOM SOLUTION.**  
CONTACT PREMIER INDUSTRIES TO REQUEST A MODIFICATION  
OR A CUSTOM DESIGN.

## SPECIFICATIONS

- **MAXIMUM CONTROL PRESSURE:**
  - 500 PSIG (34.5 bar)
- **FLOW (Cv):** 0.14, or 0.2

## MATERIALS OF CONSTRUCTION

- **BODY OPTIONS:**
  - 316 Stainless Steel
  - 303 Stainless Steel
  - SAE 360 Brass
  - Duplex 2205
- **BONNET OPTIONS:**
  - 303 Stainless Steel
  - 2024 Aluminum
- **DIAPHRAGM:**
  - Elgiloy® (standard)
- **DIAPHRAGM SEAL :**
  - PTFE
- **VALVE SEAT:**
  - PFA
- **O-RING OPTIONS:**
  - Viton®
  - BUNA-N
  - EPDM
  - PTFE

## PORTING

- **STANDARD INLET:**
  - 1/4" FNPT
- **OPTIONAL INLETS:**
  - 1/4" SAE AS5202 (See P/N: 50-11998A)
- **STANDARD OUTLET:**
  - 1/4" NPT
- **OPTIONAL OUTLETS:**
  - 1/4" SAE AS5202 (See P/N: 50-11998A)
- **OPTIONAL INLET GAUGE PORT:**
  - 1/8" FNPT

## OPTIONS

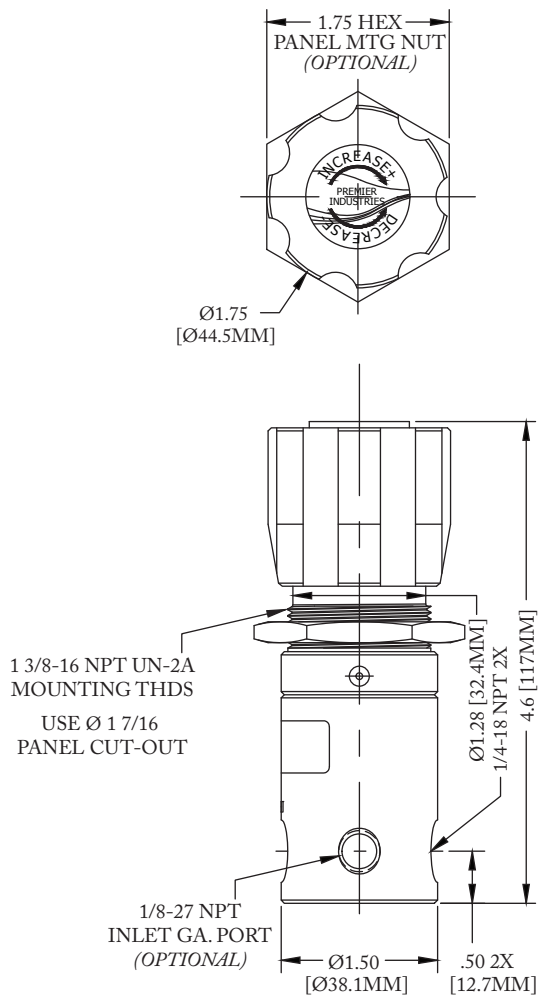
- Gauges
- Tamper resistant acorn nut
- Panel mounting nut (P/N: 50-11305)
- Private Label

*Viton® is a registered trademark of E.I. duPont de Nemours and Company*

*Elgiloy® is a registered trademark of Elgiloy Specialty Metals Division, Combined Metals of Chicago L.L.C.*

**PART NUMBER: 50-11998**

*Standard design*





# 2100 SERIES

Compact, Diaphragm Sensed  
Back Pressure Regulators

PART #	-	1	2	3	-	4 5	-	6 7	-	MODS
50-11998	-				-		-		-	

1	BODY/BONNET MATERIALS (MAX. INLET PRESSURE)
<b>B</b>	SAE 360 Brass ( <i>body</i> ) 2024 Aluminum( <i>bonnet</i> )
<b>0</b>	316 Stainless Steel ( <i>body</i> ) 303 Stainless Steel ( <i>bonnet</i> )
<b>1</b>	303 Stainless Steel ( <i>body &amp; bonnet</i> )
<b>2</b>	Duplex 2205 ( <i>body</i> ) 303 Stainless Steel ( <i>bonnet</i> )
2	MAX CONTROL PRESSURE
<b>B</b>	25 PSIG / 1.72 bar
<b>A</b>	50 psig / 3.45 bar
<b>1</b>	100 PSIG / 6.89 bar
<b>2</b>	250 PSIG / 17.24 bar
<b>3</b>	300 PSIG / 20.68 bar
<b>5</b>	500 PSIG / 34.47 bar
3	FLOW (Cv)
<b>1</b>	Cv 0.14
<b>2</b>	Cv 0.2

4 5	O-RING SEALS
<b>00</b>	BUNA-N
<b>02</b>	VITON®
<b>03</b>	PTFE
<b>05</b>	EPDM
6 7	INLET GAUGE PORT (1/8" FNPT, optional)
<b>Blank</b>	None
<b>PN</b>	Port only, no gauge
<b>PO</b>	Port with 60 PSI gauge
<b>P1</b>	Port with 100 PSI gauge
<b>P2</b>	Port with 200 PSI gauge
<b>P6</b>	Port with 600 PSI gauge

MODIFICATIONS	
<b>Blank</b>	None
<b>J</b>	Jamb nut (no knob)
<b>N</b>	Panel mounting nut

*Viton® is a registered trademark of  
E.I.duPont de Nemours and Company*

*Contact factory for material certifications.  
Fees may apply.*

# 2100DLB SERIES

Dome Loaded, Bias Spring, Diaphragm Sensed  
Back Pressure Regulators



Premier 2100DLB Series dome loaded/bias spring, single stage, diaphragm sensed, back pressure regulators, are designed for load pressures up to 500 PSIG (34.47 bar) with a bias spring up to 100 psig (6.89 bar) and Cv 0.14 or 0.20. 2100DLB Series regulators are elastomer free and designed for use in tracking applications.

## FEATURES

- Compatible with electro pneumatic controllers
- Elastomer free
- Preset spring bias
- Designed for tracking applications
- Cv 0.14 or 0.20
- Load pressures up to 500 psig (34.47 bar)

**SOME APPLICATIONS WILL REQUIRE A CUSTOM SOLUTION.**  
CONTACT PREMIER INDUSTRIES TO REQUEST A MODIFICATION  
OR A CUSTOM DESIGN.

## SPECIFICATIONS

- **MAXIMUM LOAD PRESSURE:**
  - 500 PSIG (*34.47 bar*)
- **PRESET SPRING BIAS:**
  - up to 100 PSIG (*6.89 bar*)
- **FLOW (Cv):** 0.14, or 0.20

## OPTIONS

- Private label
- Gauges

## MATERIALS OF CONSTRUCTION

- **BODY:**
  - 316 Stainless Steel
- **DIAPHRAGM:**
  - Eligloy®
- **VALVE SEAT:**
  - PCTFE
- **SEALS:**
  - PTFE
- **OTHER WETTED MATERIALS:**
  - 316 Stainless Steel
  - 303 Stainless Steel

## PORTING

- **INLET:**
  - 1/4" FNPT
- **OUTLET:**
  - 1/4" FNPT
- **LOAD PORT:**
  - 1/4" FNPT

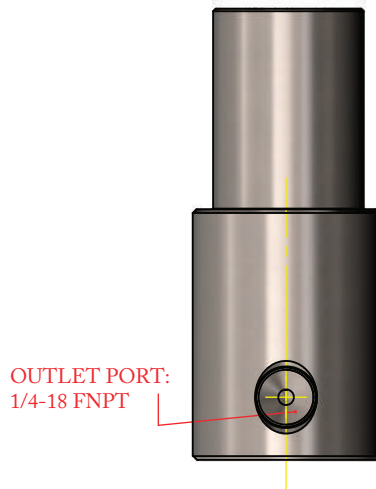
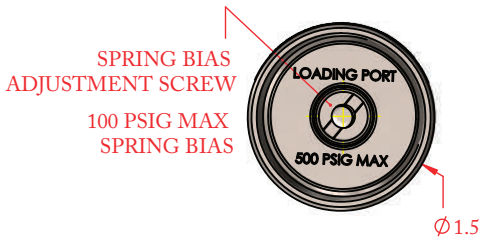
# 2100DLB SERIES

Dome Loaded, Bias Spring, Diaphragm Sensed  
Back Pressure Regulators

PART NUMBER: 50-12474



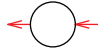
DOME LOADING PORT:  
1/4-18 FNPT, 500 PSIG MAX



# 2100DLB SERIES

Dome Loaded, Bias Spring, Diaphragm Sensed  
Back Pressure Regulators

PART #	-	1	2	3	-	XXX
50-12474	-				-	

1	WETTED MATERIALS
1	316 Stainless Steel
2	303 Stainless Steel
2	PORTING OPTIONS
1	'S' Porting, no gauges 
3	MAIN VALVE Cv
1	Cv 0.14
2	Cv 0.20

XXX	PRESET SPRING BIAS
	<p>Specify 0-100. Pressure units are psig. (EX: specify '30' for 30 psig spring bias pressure.) Preset spring bias pressure is field adjustable by qualified technicians only.</p>

Contact factory for material certifications. Fees may apply.

## 2150A SERIES

Single Stage, Diaphragm Sensed, Absolute Pressure  
Back pressure regulators



Premier 2150A Series regulators are single stage, diaphragm sensed, increased sensitivity, absolute pressure, back pressure regulators. Premier 2150A Series regulators feature a large stainless steel diaphragm, captured bonnet vent, and an optional panel mount or bottom mount. Premier 2150A Series regulators are rated for Cv 0.04 or 0.20 and designed for inlet pressures from -28”Hg Absolute-100 PSIG.

### FEATURES

- Large stainless diaphragm for increased sensitivity and reduced droop
- Stainless diaphragm minimizes inboard diffusion of air into the regulator
- Optional panel mount or bottom mount
- Captured bonnet vent
- Cv 0.04, or 0.20

**SOME APPLICATIONS WILL REQUIRE A CUSTOM SOLUTION.**  
CONTACT PREMIER INDUSTRIES TO REQUEST A MODIFICATION  
OR A CUSTOM DESIGN.

## SPECIFICATIONS

- **INLET PRESSURE:**  
(*INLET GAUGE RANGE IF SUPPLIED*)
  - -28”Hg Absolute-15 psig (*-30” HG-30 psig*)
  - -28”Hg Absolute-50 psig (*-30” HG-100 psig*)
  - -28”Hg Absolute-100 psig (*-30” HG-160 psig*)
- **FLOW (Cv):**
  - 0.04 (*standard*)
  - 0.20 (*P/N: 50-12682*)

## OPTIONS

- Inlet gauges (*2 inch diameter*)
- Private label
- Panel mounting nut (*P/N: 50-10240*)

## MATERIALS OF CONSTRUCTION

- **BODY:**
  - 316 Stainless Steel
- **BONNET:**
  - 316 Stainless Steel
- **DIAPHRAGM:**
  - 316 Stainless Steel
- **DIAPHRAGM SEAL:** PTFE
- **VALVE SEAT:** PTFE

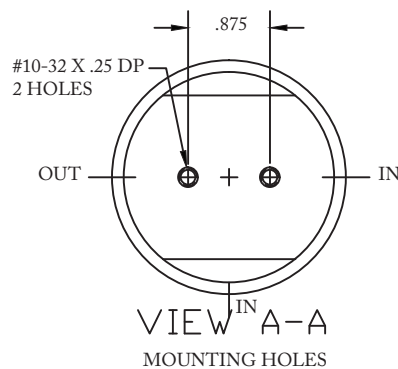
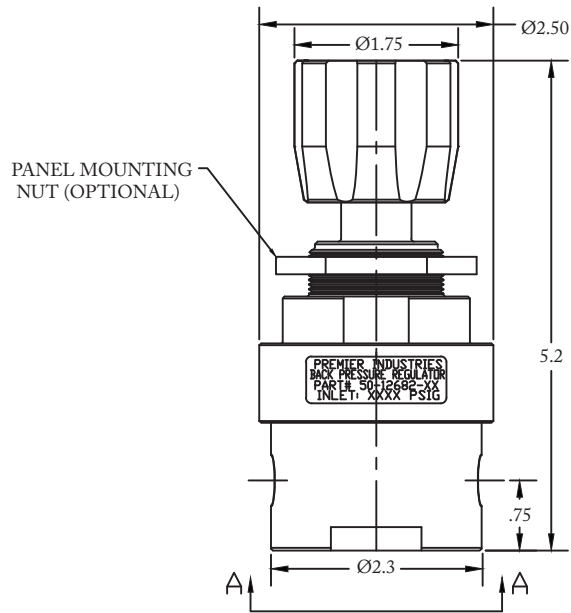
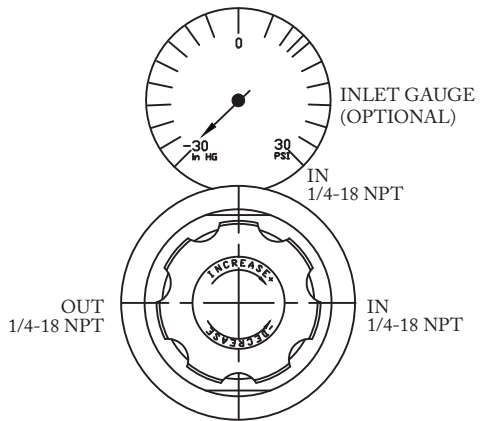
## PORTING

- **INLET:**
  - 1/4 NPT
- **OUTLET:**
  - 1/4 NPT

# 2150A SERIES

Single Stage, Diaphragm Sensed, Absolute Pressure  
Back pressure regulators

PART NUMBER 50-12682












# 2150A SERIES

Single Stage, Diaphragm Sensed, Absolute Pressure  
Back pressure regulators

PART NUMBER	-	1	2	3	4	5
50-12682	-					

**Cv 0.20**

1	BODY MATERIAL & FINISH
2	316 Stainless Steel, <i>cleaned per spec #515</i>
2	INLET PRESSURE <i>(outlet gauge range if supplied)</i>
0	-28"Hg Absolute-15 psig <i>(-30" HG-30 psig)</i>
1	-28"Hg Absolute-50 psig <i>(-30" HG-100 psig)</i>
2	-28"Hg Absolute-100 psig <i>(-30" HG-160 psig)</i>
3	GAUGES <i>(OPTIONAL)</i>
Blank	no gauges <i>(standard)</i>
A	2" diameter, inlet only, stainless steel wetted gauge
4	PANEL MOUNTING NUT <i>(optional)</i>
5	Mounting nut
8	No nut <i>(standard)</i>

5	PORTING OPTIONS
Blank	 <i>(Standard, in/out only)</i>
B	
E	
F	
G	
H	
L	

Contact factory for material certifications. Fees may apply.

## 2400 SERIES

High Sensitivity, Low Pressure, High Flow  
Back Pressure Regulators



Premier 2400 series low pressure, high flow, back pressure regulators are highly sensitive; they are capable of controlling pressures down to 1 PSIG (0.07 bar). These precision, diaphragm sensed, back pressure regulators are useful for numerous R&D controls, industrial controls, monitors, and systems. 2400 Series regulators feature a flow capacity of Cv 0.6, Viton® diaphragm with stainless steel liner, and a controlled pressure range of 0-25 PSIG (0-1.72 bar) (other pressures available upon request). Premier 2400 series regulators are capable of regulating a broad range of media as compatible with their materials of construction.

### FEATURES

- Flow Capacity (Cv): 0.6
- Compact size
- Viton® diaphragm with stainless steel liner
- Very competitive pricing
- Machined bar stock body, and bonnet eliminates porosity found in castings
- Models are available for both corrosive and non-corrosive service

**SOME APPLICATIONS WILL REQUIRE A CUSTOM SOLUTION.**  
CONTACT PREMIER INDUSTRIES TO REQUEST A MODIFICATION  
OR A CUSTOM DESIGN.

## SPECIFICATIONS

- **CONTROLLED PRESSURE RANGE:**
  - 0-25 PSIG / 0-1.72 bar (*P/N: 50-11306*)
  - 0-75 PSIG / 0-5.17 bar (*P/N: 50-12568*)*(other pressures available upon request)*
- **FLOW (Cv):** 0.6

## OPTIONAL ITEMS

- Gauges
- Hand knob
- Panel mounting bonnet & nuts
- Tamper resistant acorn nut
- New dome loaded design (*P/N 50-12671*)
- Private label

## MATERIALS OF CONSTRUCTION

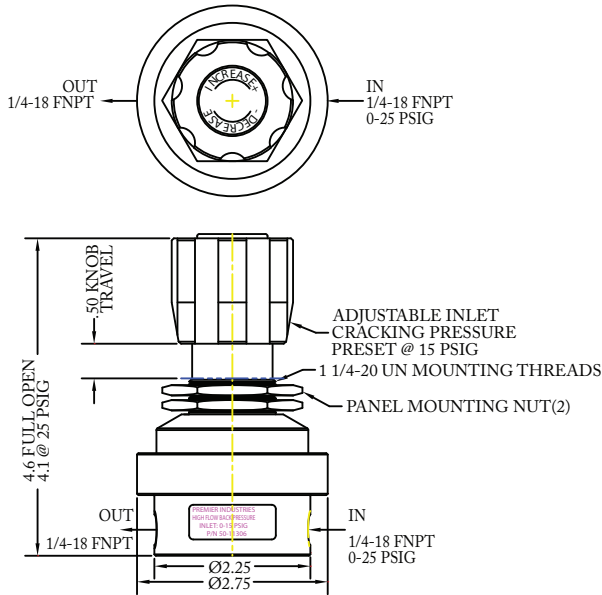
- **BONNET:**
  - 6061-T6 Aluminum, Nickel Plated
- **BODY:**
  - 303 Stainless Steel
  - 6061-T6 Aluminum, Nickel Plated
- **DIAPHRAGM OPTIONS:**
  - Viton®
  - Viton® with 316 Stainless Steel liner
- **MAIN VALVE SEAT:**
  - Viton®

## PORTING

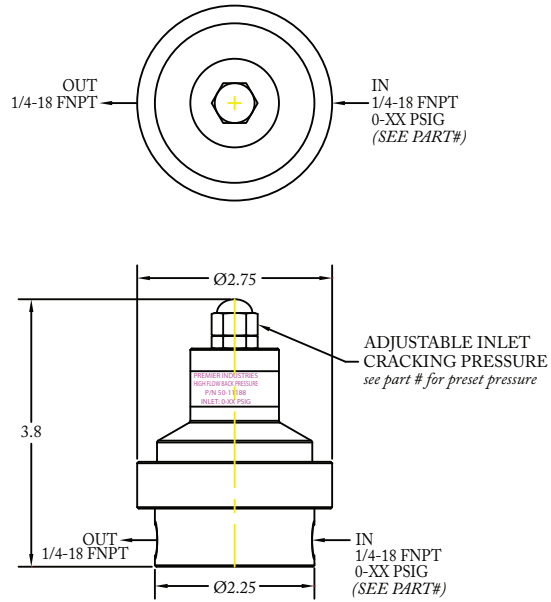
- **STANDARD INLET:**
  - 1/4-18 FNPT
- **OPTIONAL INLETS:**
  - *available upon request*
- **STANDARD OUTLET:**
  - 1/4-18 FNPT
- **OPTIONAL OUTLETS:**
  - *available upon request*

*Viton® is a registered trademark of E.I. du Pont de Nemours and Company  
Contact factory for material certifications. Fees may apply.*

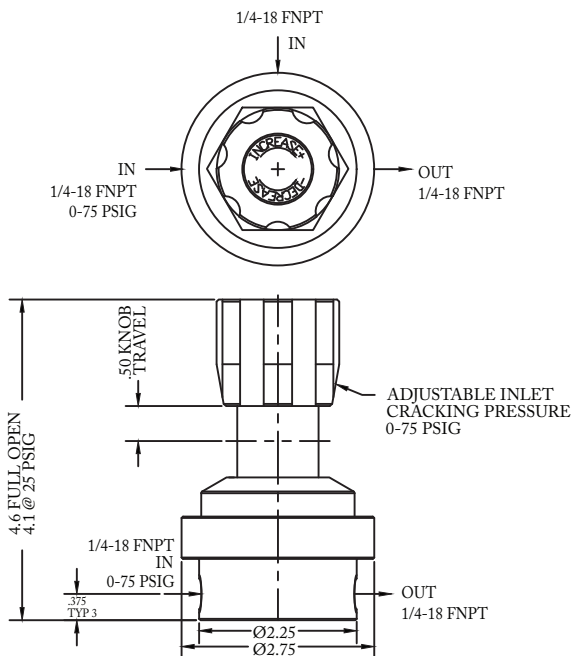
## PART NUMBER 50-11306



## PART NUMBER 50-11188



## PART NUMBER 50-12568-1



## 2400DL SERIES

Dome Loaded, High Sensitivity, Low Pressure, High Flow  
Back Pressure Regulators



Premier 2400DL series dome loaded, low pressure, high flow, back pressure regulators are fitted with a large Viton® diaphragm for increased sensitivity. These precision, back pressure regulators feature a cracking pressure of 0-75 PSIG (0-5.17 bar), 1.3 to 1 dome load, and Cv 0.6. Premier 2400DL series regulators are capable of regulating a broad range of media as compatible with their materials of construction.

### FEATURES

- Flow Capacity (Cv): 0.6
- Cracking pressure: 0-75 PSIG (0-5.17 bar)
- Viton® diaphragm
- 1.3 to 1 dome load
- Compact size
- Machined bar stock body, and bonnet eliminates porosity found in castings
- Models are available for both corrosive and non-corrosive service

**SOME APPLICATIONS WILL REQUIRE A CUSTOM SOLUTION.**  
CONTACT PREMIER INDUSTRIES TO REQUEST A MODIFICATION  
OR A CUSTOM DESIGN.

## SPECIFICATIONS

- **CRACKING PRESSURE:** 0-75 PSIG (0-5.17 bar)
- **FLOW (Cv):** 0.6

## MATERIALS OF CONSTRUCTION

- **BONNET:**
  - 6061-T6 Aluminum, Nickel Plated
- **BODY:**
  - 303 Stainless Steel
- **DIAPHRAGM OPTIONS:**
  - Viton®
- **MAIN VALVE SEAT:**
  - Viton®

## PORTING

- **STANDARD INLET:**
  - 1/4-18 FNPT
- **STANDARD OUTLET:**
  - 1/4-18 FNPT
- **LOAD PORT:**
  - 1/4-18 FNPT

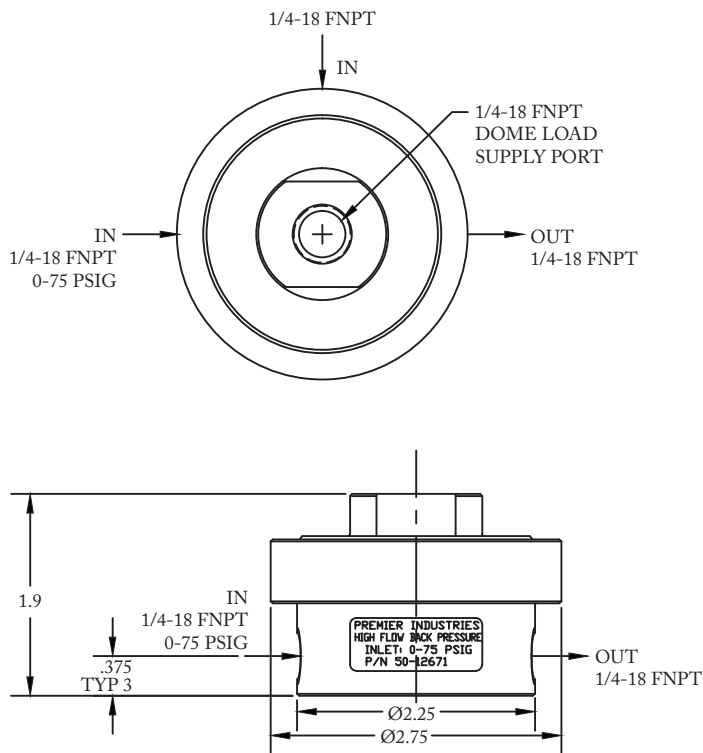
## OPTIONAL ITEMS

- Private label

*Viton® is a registered trademark of E.I. du Pont de Nemours and Company  
Contact factory for material certifications. Fees may apply.*

**PART NUMBER: 50-12671**

*Standard design*



# 3100 SERIES

High Pressure, Piston Sensed  
Back Pressure Regulators



Premier 3100 Series high pressure, single stage, piston sensed, back pressure regulators are rated for control pressures up to 10000 PSIG (*689.48 bar*) and Cv 0.03, 0.06, 0.14, or 0.20.

They are used to regulate to a broad range of non-corrosive and corrosive media (based on materials of construction) Premier 3100 Series regulators can be supplied with a wide range of inlet and outlet configurations.

## FEATURES

- Control pressures up to 10000 PSIG (*689.48 bar*) max
- Cv: 0.03, 0.06, 0.14, or 0.20
- Economical pricing
- Multiple mounting options (*bracket / panel nuts*)
- Machined bar stock body, bonnet and piston eliminates porosity found in castings
- Numerous materials & optional features available.

**SOME APPLICATIONS WILL REQUIRE A CUSTOM SOLUTION.**  
CONTACT PREMIER INDUSTRIES TO REQUEST A MODIFICATION  
OR A CUSTOM DESIGN.



## SPECIFICATIONS

- **MAXIMUM INLET PRESSURE (brass):**
  - 6000 PSIG (413.69 bar)
- **MAXIMUM INLET PRESSURE (SS):**
  - 10000 PSIG (689.48 bar)
- **CONTROL PRESSURE RANGES:**
  - 5-500 PSIG (0.34 - 34.5 bar)
  - 5-800 PSIG (0.34 - 55.16 bar)
  - 10-1500 PSIG (0.69 - 103.42 bar)
  - 15-2500 PSIG (1.03 - 172.37 bar)
  - 25-4000 PSIG (1.72 - 275.79 bar)
  - 50-6000 PSIG (3.45 - 413.69 bar)
  - 100-10000 PSIG (6.89 - 689.48 bar)
- **FLOW (Cv):** 0.03, 0.06, 0.14 or 0.2
- **AMBIENT OPERATING TEMP \*\*:**
  - -15°F/-26°C to 165°F/74°C (BUNA-N)
  - -4°F/-20°C to 165°F/74°C (Viton®)
  - -65°F/-54°C to 165°F/74°C (EPDM)
  - 0°F/-17°C to 165°F/74°C (KALREZ®)
  - 15°F/-9°C to 165°F/74°C (ALFAS)
  - -50°F/-45°C to 165°F/74°C (Nitrile, Lo-temp)

## MATERIALS OF CONSTRUCTION

- **BODY & BONNET OPTIONS:**
  - 316 Stainless Steel and 17-4 Stainless Steel
  - SAE 360 Brass
- **VALVE SEAT OPTIONS:**
  - Vespel®
  - PEEK®
  - PCTFE *see page 3 for special instructions*
- **MAIN VALVE STEM:**
  - 17-4 Stainless Steel
- **SEALS:**
  - Viton®
  - BUNA-N
  - EPDM
  - KALREZ® *(Contact factory for pricing)*
  - Nitrile, Lo-temp
- **BACK-UP RINGS:**
  - PTFE
  - PCTFE
- **WETTED, OTHER:**
  - 316 Stainless Steel
  - 17-4 Stainless Steel

## PORTING

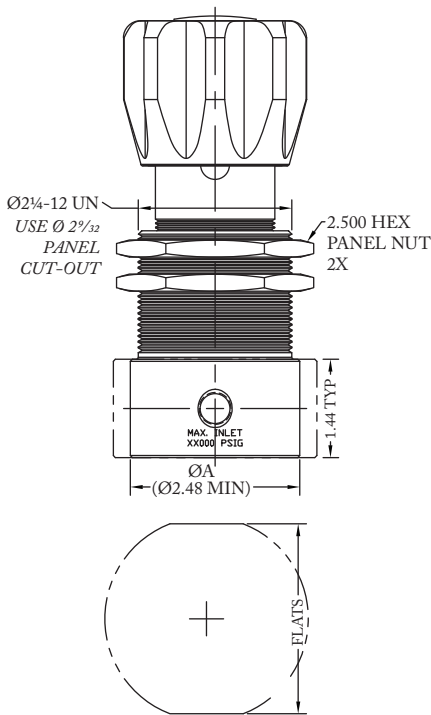
- **INLET & OUTLET PORT OPTIONS:**
  - 1/4" FNPT, SAE J1926, SAE AS5202\*\*, NPTF or medium pressure
  - 3/8" FNPT, SAE J1926, SAE AS5202\*\*, NPTF or medium pressure
  - 1/2" FNPT, SAE J1926, SAE AS5202\*\*, or NPTF
  - 9/16" medium pressure
  - 3/4" FNPT, SAE J1926, SAE AS5202\*\*, NPTF or medium pressure
- **GAUGE PORTS:** 1/4" FNPT

## OPTIONS

- Gauges
- Private label
- Surface mount
- Panel mounting bracket: P/N: 30-10059  
(Ø2.15 panel hole)
- Panel mounting nuts: P/N: 30-10189  
(Ø2.28 panel hole)

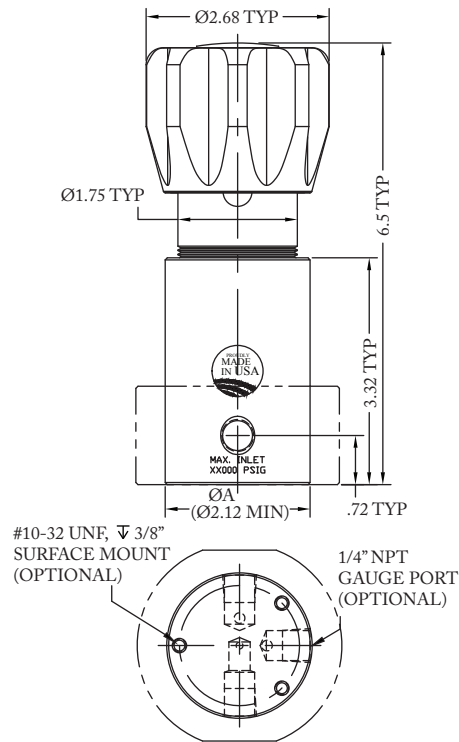
PART NUMBER: 30-10066G

## PANEL NUT STYLE



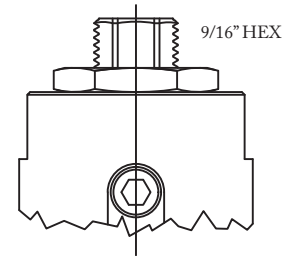
PANEL NUT BODY		
PORT TYPE	ØA	FLATS
NPT, NPTF	Ø2.48	—
1/4" OTHER	Ø2.48	2.36
3/8" M.P.	Ø2.48	2.36
3/8" SAE	Ø2.73	2.58
1/2" SAE	Ø2.98	2.78
9/16" M.P.	Ø2.98	2.78

## PANEL MOUNTING BRACKET STYLE



MOUNTING BRACKET BODY		
PORT TYPE	ØA	FLATS
1/4 & 3/8 NPT, NPTF	Ø2.12	—
1/4" M.P.	Ø2.12	1.98
1/2" NPT, NPTF	Ø2.48	—
1/4" SAE	Ø2.48	2.36
3/8" M.P.	Ø2.48	2.36
3/8" SAE	Ø2.73	2.58
1/2" SAE	Ø2.98	2.81
9/16" M.P.	Ø2.98	2.81
3/4" NPT, NPTF	Ø2.98	—

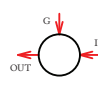
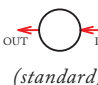
## TAMPER RESISTANT WRENCH ADJUST (OPTIONAL)



PART #	1	2	-	3	4	5	6	7	-	8	9	10	MODS
30-10066G			-						-				

316 Stainless Steel body and 17-4 Stainless Steel bonnet standard

1 2	MOUNTING STYLE
MB	Mounting bracket style body
PN	Panel nut style body <i>(panel nuts included)</i>
3	OUTLET PRESSURE
1	5-500 PSIG <i>(0.34-34.5 Bar)</i>
2	5-800 PSIG <i>(0.34-55.2 Bar)</i>
3	10-1500 PSIG <i>(0.69-103.4 Bar)</i>
4	15-2500 PSIG <i>(1.0-172.4 Bar)</i>
5	25-4000 PSIG <i>(1.7-275.8 Bar)</i>
6	50-6000 PSIG <i>(3.4-413.7 Bar)</i>
7	100-10000 PSIG <i>(6.9-689.5 Bar)</i> <i>(stainless steel only)</i>
4	MAIN VALVE Cv
A	Cv 0.03
0	Cv 0.06
1	Cv 0.14
2	Cv 0.20

5	PORTING CONFIG.
H	
S	 <i>(standard)</i>
6	PORT SIZE
4	1/4"
6	3/8"
8	1/2"
9	9/16"
T	3/4"
<i>*1/2" ports not available in medium pressure</i> <i>**9/16" ports only available in medium pressure</i> <i>Gauge ports: 1/4" FNPT</i>	

7	PORT TYPE IN/OUT								
1	NPT								
2	SAE J1926								
3	SAE AS5202 (MS33649**)								
4	MEDIUM PRESSURE								
6	NPTF								
<i>**SAE AS5202 supersedes MS33649</i>									
8	VALVE SEAT								
0	Vespel®								
3	PEEK®								
4	PCTFE*** <i>see table below</i>								
<table border="1"> <thead> <tr> <th>*** PCTFE SEATS</th> <th>MAX CONTROL PRESSURE</th> </tr> </thead> <tbody> <tr> <td><i>Cv 0.03, 0.06</i></td> <td><b>6000 PSIG</b></td> </tr> <tr> <td><i>Cv 0.14</i></td> <td><b>4000 PSIG</b></td> </tr> <tr> <td><i>Cv 0.20</i></td> <td><b>3000 PSIG</b></td> </tr> </tbody> </table>		*** PCTFE SEATS	MAX CONTROL PRESSURE	<i>Cv 0.03, 0.06</i>	<b>6000 PSIG</b>	<i>Cv 0.14</i>	<b>4000 PSIG</b>	<i>Cv 0.20</i>	<b>3000 PSIG</b>
*** PCTFE SEATS	MAX CONTROL PRESSURE								
<i>Cv 0.03, 0.06</i>	<b>6000 PSIG</b>								
<i>Cv 0.14</i>	<b>4000 PSIG</b>								
<i>Cv 0.20</i>	<b>3000 PSIG</b>								
<b>PCTFE SEAT MAXIMUM CONTROL PRESSURES SUPERCEDE BODY MATERIAL MAXIMUM CONTROL PRESSURES</b>									

9 10	O-RINGS
00	BUNA-N
01	AFLAS®
02	VITON®
05	EPDM
11	KALREZ® <i>(Contact factory for pricing)</i>
12	NITRILE, LO-TEMP
MODIFICATIONS	
<i>Separate multiple mods with a dash</i>	
N	NACE MR0175 compatible option
B	SAE 360 Brass body & bonnet <i>(6000 psig / 413.69 bar max)</i>
SM	Surface mount <i>Surface mounting holes: pattern dependant on port type &amp; configuration</i>
WA	Wrench adjust

**NOTE MAXIMUM CONTROL PRESSURE:**  
*The end user is responsible to ensure adequate fittings are used to connect regulator to plumbing.*

*Kalrez® & Viton® are registered trademarks of E.I.duPont de Nemours and Company.  
Kel-F® is a registered trademark of 3M Company  
AFLAS® is a registered trademark of Asahi Glass Co., Ltd  
Contact factory for material certifications. Fees may apply.*

# 3100AL SERIES

Air loaded, High Pressure  
Back pressure regulators



Premier 3100AL Series air loaded, piston sensed, single stage, high pressure, back pressure regulators are rated for control pressures up to 10000 PSIG (689.48 bar), and Cv 0.03, 0.06, 0.14, or 0.2. Premier 3100AL Series regulators are used to regulate a broad range of non-corrosive and corrosive media (based on materials of construction).

## FEATURES

- Compatible with electro pneumatic controllers
- Cv 0.03, 0.06, 0.14, or 0.2
- Control pressures up to 10000 PSIG (689.48 bar)
- Machined bar stock body, bonnet and piston eliminates porosity found in castings
- Numerous optional features are available
- Hydraulic design available

**SOME APPLICATIONS WILL REQUIRE A CUSTOM SOLUTION.**  
CONTACT PREMIER INDUSTRIES TO REQUEST A MODIFICATION  
OR A CUSTOM DESIGN.

## SPECIFICATIONS

- **MAXIMUM INLET PRESSURE:**
  - **REGULATOR:**
    - 10000 PSIG / 689.5 bar (*316 Stainless Steel*)
    - 6000 PSIG / 689.5 bar (*SAE 360 Brass*)
  - **AIR ACTUATOR:**
    - 100 PSIG (*6.89 bar*)
- **CONTROL PRESSURE RANGES:**
  - 10-1500 PSIG (*0.69 – 103.42 bar*)  
*Diameter: 1.000"*  
*Area: 0.7854 in<sup>2</sup>*  
*Ratio: <sup>16</sup>/<sub>1</sub> \*\**
  - 15-2500 PSIG (*1.03 – 172.37 bar*)  
*Diameter: 0.750"*  
*Area: 0.4418 in<sup>2</sup>*  
*Ratio: <sup>28</sup>/<sub>1</sub> \*\**
  - 50-6000 PSIG (*3.45 – 413.69 bar*)  
*Diameter: 0.500"*  
*Area: 0.1964 in<sup>2</sup>*  
*Ratio: <sup>64</sup>/<sub>1</sub> \*\**
  - 100-10000 PSIG (*6.89 – 689.5 bar*)  
*Diameter: 0.375"*  
*Area: 0.1104 in<sup>2</sup>*  
*Ratio: <sup>114</sup>/<sub>1</sub> \*\**

*\*\* 4.0" diameter diaphragm  
 Diaphragm area: 12.5664 in<sup>2</sup>*

- **FLOW (Cv):** 0.03, 0.06, 0.14, or 0.20

## MATERIALS OF CONSTRUCTION

- **BODY OPTIONS:**
  - SAE 360 brass
  - 316 Stainless Steel
- **HOUSING, AIR ACTUATOR :**
  - 6061-T6 Aluminum/clear anodized
- **DIAPHRAGM, AIR ACTUATOR :**
  - Neoprene, nylon fabric-reinforced
- **MAIN VALVE STEM:** 316 Stainless Steel
- **MAIN VALVE SEAT OPTIONS:**
  - Vespel®
  - PEEK®
- **ELASTOMER SEAL OPTIONS:**
  - BUNA-N
  - Viton-A®
  - EPDM
  - Kalrez® (*Contact factory for pricing*)
- **WETTED PARTS:**
  - 316 Stainless Steel
  - 17-4 Stainless Steel
- **BACK-UP RINGS:**
  - PTFE
  - PCTFE

## PORTING

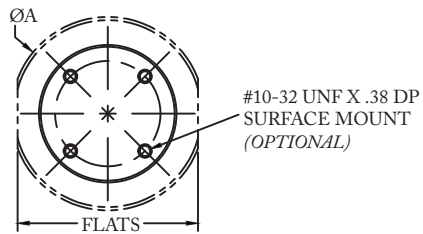
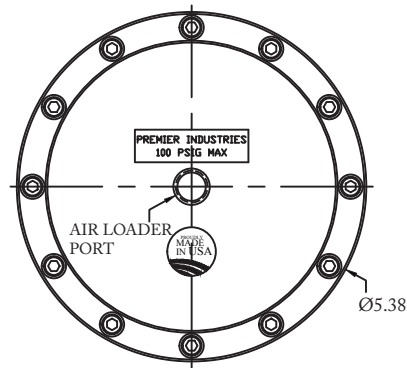
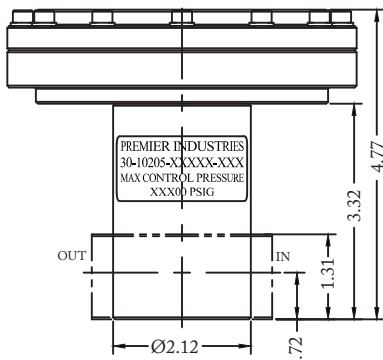
- **INLET/OUTLET**
  - 1/4", 3/8", 1/2" FNPT
  - 1/4", 3/8", 1/2" SAE J1926
  - 1/4", 3/8", 1/2" SAE AS5202 (*MS33649\*\**)
  - 1/4", 3/8", 9/16" MEDIUM PRESSURE
  - 1/4", 3/8", 1/2" NPTF
- **AIR ACTUATOR:**
  - 1/4-18" FNPT (*Standard*)
  - 1/4" SAE AS5202 (*mod*)
  - 1/4" SAE J1926 (*mod*)
  - 1/8" FNPT (*mod*)

## OPTIONAL ITEMS

- Panel mounting bracket: *P/N: 30-10059*  
*(Ø2.15 panel hole)*
- Surface mount
- Private label

*\*\*SAE AS5202 supersedes MS33649  
 Viton® and Vespel® are registered trademarks of  
 E.I. duPont de Nemours and Company  
 PEEK® is a registered trademark of Victrex PLC*

**PART NUMBER: 30-10205G**



BODY DIMENSIONS		
PORT TYPE	ØA	FLATS
1/4 & 3/8 NPT	Ø2.12	—
1/4" M.P.	Ø2.12	1.98
1/2" NPT, NPTF	Ø2.48	—
1/4" SAE	Ø2.48	2.36
3/8" M.P.	Ø2.48	2.36
3/8" SAE	Ø2.73	2.58
1/2" SAE	Ø2.98	2.81
9/16" M.P.	Ø2.98	2.81

# 3100AL SERIES

Air loaded, High Pressure  
Back pressure regulators

PART #	-	1	2	3	4	5	-	6	7	8	-	MODS
30-10205G	-						-				-	

1	BODY MATERIALS (MAX. INLET PRESSURE)	
1	SAE 360 Brass (6000 psig / 413.7 bar)	
2	316 Stainless Steel (10000 psig / 689.5 bar)	
2	CONTROL PRESSURE	
3	10-1500 psig (0.69-103.4 bar)	Diameter: 1.000" Area: 0.7854 in <sup>2</sup> Ratio: 16/1 **
4	15-2500 psig (1.0-172.4 bar)	Diameter: 0.750" Area: 0.4418 in <sup>2</sup> Ratio: 28/1 **
6	50-6000 psig (3.4-413.7 bar)	Diameter: 0.500" Area: 0.1964 in <sup>2</sup> Ratio: 64/1 **
7	100-10000 psig (6.9-689.5 bar) (stainless steel only)	Diameter: 0.375" Area: 0.1104 in <sup>2</sup> Ratio: 114/1 **
** 4.0" diameter diaphragm - Diaphragm area: 12.5664 in <sup>2</sup>		
3	FLOW (Cv)	
A	Cv 0.03	
0	Cv 0.06	
1	Cv 0.14	
2	Cv 0.2	

4	PORT SIZE
4	1/4"
6	3/8"
8	1/2"*
9	9/16"**
*1/2" not available in medium pressure **9/16" only available in medium pressure	
5	PORT TYPE
1	FNPT
2	SAE J1926
3	SAE AS5202 (MS33649**)
4	MEDIUM PRESSURE
6	NPTF
**SAE AS5202 supersedes MS33649	

6	VALVE SEAT
0	Vespel®
3	PEEK®
7 8	O-RING MATERIAL
00	BUNA-N
02	VITON-A®
05	EPDM
11	KALREZ® (Contact factory for pricing)
MODIFICATIONS	
Separate multiple mods with a dash	
BLANK	NONE
AS	1/4" SAE AS5202 LOADER PORT
E	1/8" NPT AIR LOADER PORT
J	1/4" SAE J1926 LOADER PORT
SM	SURFACE MOUNT

10000 PSIG MAX INLET (Stainless Steel)  
6000 PSIG MAX INLET (Brass)  
The end user is responsible to ensure adequate fittings are used to connect regulator to plumbing.

Viton-A® and Vespel® are registered trademarks of E.I. duPont de Nemours and Company  
Contact factory for material certifications.  
Fees may apply.

# 3100DL SERIES

Dome Loaded, High Pressure  
Back Pressure Regulators



Premier 3100DL Series dome loaded, piston sensed, single stage, high pressure, back pressure regulators are rated for control pressures up to 10000 PSIG (*689.5 bar*), and Cv 0.06, 0.14, or 0.2. Premier 3100DL Series regulators are used to regulate a broad range of non-corrosive and corrosive media (*based on materials of construction*).

## FEATURES

- Compatible with electro pneumatic controllers
- 1:1 dome load
- Cv 0.06, 0.14, or 0.2
- Control pressures up to 10000 PSIG (*689.5 bar*)
- Very competitive pricing
- Machined bar stock body, bonnet and piston eliminates porosity found in castings
- Hydraulic versions available
- Designs available with bias spring

**SOME APPLICATIONS WILL REQUIRE A CUSTOM SOLUTION.**  
CONTACT PREMIER INDUSTRIES TO REQUEST A MODIFICATION  
OR A CUSTOM DESIGN.



## SPECIFICATIONS

- **MAXIMUM INLET PRESSURE:**
  - REGULATOR: 10000 PSIG (689.5 bar)
  - DOME LOAD: 10000 PSIG (689.5 bar)
- **MAXIMUM CONTROL PRESSURE:**
  - 10000 PSIG (689.5 bar)
- **FLOW (Cv):** 0.06, 0.14, or 0.20

## MATERIALS OF CONSTRUCTION

- **BODY OPTIONS:**
  - SAE 360 Brass
  - 316 Stainless Steel
- **BONNET OPTIONS:**
  - SAE 360 Brass
  - 303 Stainless Steel
- **MAIN VALVE SEAT:**
  - Vespel®
- **ELASTOMER SEAL OPTIONS:**
  - BUNA-N
  - Viton®
  - EPDM
  - Kalrez® (*Contact factory for pricing*)
- **WETTED PARTS:**
  - 300 Series Stainless Steel
  - 17-4 Stainless Steel

## PORTING

- **INLET/OUTLET OPTIONS**
  - 1/4", 3/8" FNPT
  - 1/4", 3/8" SAE J1926
  - 1/4", 3/8" SAE AS5202 (MS33649\*\*)
- **LOAD PORT:** 1/8" FNPT

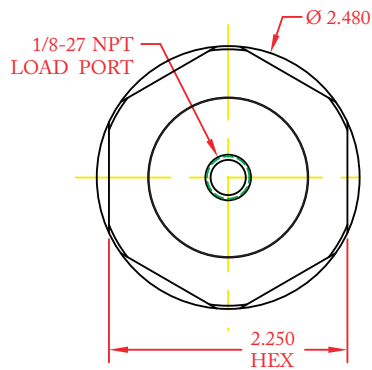
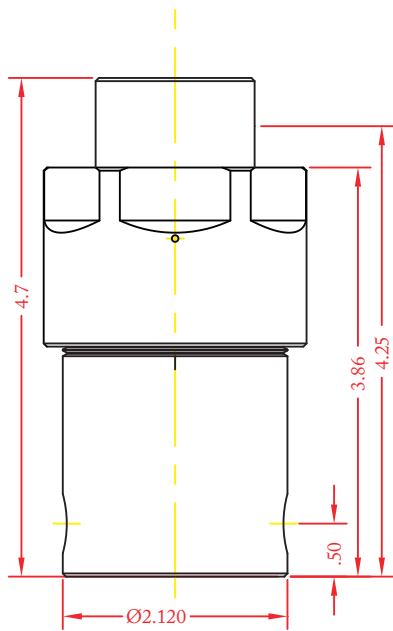
## OPTIONAL ITEMS

- Private label
- Load port orientation
- Bias spring

\*\*SAE AS5202 supersedes MS33649

Kalrez® Vespel® & Viton® are registered trademarks of  
E.I.duPont de Nemours and Company

PART NUMBER: 30-10211DG



# 3100DL SERIES

Dome Loaded, High Pressure  
Back Pressure Regulators

SERIES	-	1	2	3	4	-	5 6	-	7
30-10211DG	-					-		-	

1	BODY MATERIALS (MAX. INLET PRESSURE)
1	SAE 360 Brass body & bonnet (6000 psig / 413.7 bar)
2	316 Stainless Steel body, 303 Stainless steel bonnet (10000 psig / 689.5 bar)
2	FLOW (Cv)
0	Cv 0.06
1	Cv 0.14
2	Cv 0.2
3	PORT SIZE
4	1/4"
6	3/8"
<i>DOME PORT: 1/8-27 FNPT</i>	

4	PORT TYPE
1	FNPT
2	SAE J1926
3	SAE AS5202 (MS33649**)
<i>**SAE AS5202 supersedes MS33649</i>	
5 6	O-RING MATERIAL
00	BUNA-N
02	VITON®
05	EPDM
11	KALREZ® <i>(Contact factory for pricing)</i>

7	VALVE SEAT
0	Vespel®

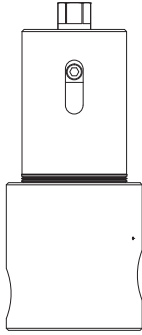
**6000 PSIG MAX INLET**  
*The end user is responsible to ensure adequate fittings are used to connect regulator to plumbing.*

*Kalrez® Vespel® & Viton® are registered trademarks of E.I. duPont de Nemours and Company*

*Contact factory for material certifications. Fees may apply.*

# 3116 SERIES

High Pressure, High Flow  
Back Pressure Regulators



Premier 3116 Series regulators are high pressure, high flow, piston sensed, back pressure regulators rated for inlet pressures up to 10000 psig / 689.5 bar and (Cv) 1.0 or 2.0. Premier 3116 Series regulators are available in a variety of materials for seamless integration into your desired application.

## FEATURES

- High flow capacity (Cv): 1.0 or 2.0
- Optional surface mount
- Machined bar stock body eliminates porosity found in castings

**SOME APPLICATIONS WILL REQUIRE A CUSTOM SOLUTION.**  
CONTACT PREMIER INDUSTRIES TO REQUEST A MODIFICATION  
OR A CUSTOM DESIGN.

## SPECIFICATIONS

- **MAXIMUM INLET PRESSURE:**
  - 6000 PSIG / 413.7 bar  
(316 stainless steel body, standard)
  - 10000 PSIG / 689.48 bar  
(17-4 stainless steel body)
- **CONTROL PRESSURE RANGES:**
  - 5-500 PSIG (0.34-34.5 bar)
  - 5-800 PSIG (0.34-55.16 bar)
  - 10-1500 PSIG (0.7-103.4 bar)
  - 15-2500 PSIG (1.0-172.4 bar)
  - 25-4000 PSIG (1.7-275.8 bar)
  - 50-6000 PSIG (3.5-413.7 bar)
- **FLOW (Cv):** 1.0 or 2.0
- **OPERATING TEMPERATURE:\*\***
  - -15°F/-26°C to 212°F/100°C (BUNA-N)
  - -4°F/-20°C to 400°F/204°C (Viton®)
  - -65°F/-54°C to 302°F/150°C (EPDM)
  - 0°F/-18°C to 620°F/327°C (KALREZ® 7075)

\*\* Lower temperature compounds available

## MATERIALS OF CONSTRUCTION

- **BODY OPTIONS:**
  - 316 Stainless Steel (standard)
  - 17-4 Stainless Steel
- **MAIN VALVE STEM:** 17-4 Stainless Steel
- **MAIN VALVE SEAT:** Vespel®
- **BACK-UP RINGS:** PTFE &/or PCTFE
- **O-RING MATERIAL OPTIONS:**
  - BUNA-N
  - Viton-A®
  - EPDM
  - Kalrez® 7075 (contact factory for pricing)
- **OTHER WETTED PARTS:**
  - 316 Stainless Steel
  - 17-4 Stainless Steel

SAE AS5202 supersedes MS33649

Viton-A®, Vespel®, and Kalrez® are registered trademarks of E.I. duPont de Nemours & Company.

Contact factory for material certifications. Fees may apply.

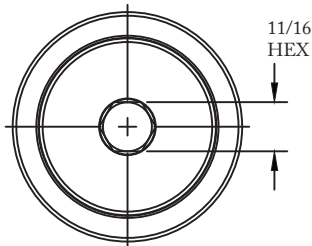
## PORTING

- **INLET & OUTLET OPTIONS:**
  - 3/8" FNPT, SAE J1926, SAE AS5202, BSPP
  - 1/2" FNPT, SAE J1926, SAE AS5202, BSPP
  - 3/4" FNPT, SAE J1926, SAE AS5202, BSPP
- **GAUGE PORTS:** 1/4" FNPT

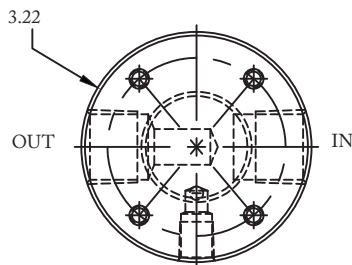
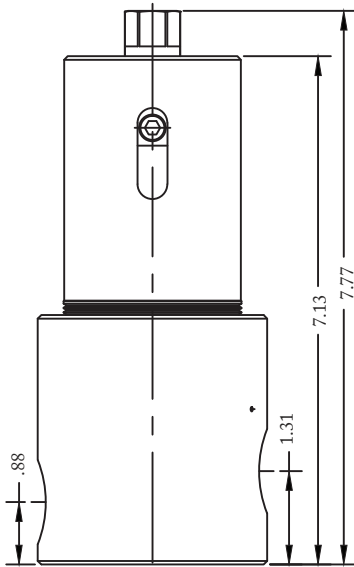
## OPTIONS

- Private label

PART NUMBER: 30-10222G



PORT TYPE	ØA	FLATS
NPT	Ø3.23	—
1/2" SAE	Ø3.48	3.32
3/4" SAE	Ø3.98	3.72



*Optional Surface  
mounting holes:  
1/4-20 UNC X .5 DP  
bolt circle subject to body size*

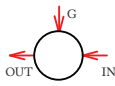

# 3116 SERIES

High Pressure, High Flow  
Back Pressure Regulators

PART #	-	1	2	3	4	5	-	6 7	-	MODS
30-10222G	-						-		-	

*Standard: 316 Stainless Steel body & 17-4 Stainless Steel Bonnet, 6000 psig max inlet*

*See modifications for 10000 psig max inlet option*

1	CONTROL PRESSURE
1	5-500 PSIG (0.34-34.5 bar)
2	5-800 PSIG (0.34-55.16 bar)
3	10-1500 PSIG (0.7-103.4 bar)
4	15-2500 PSIG (1.0-172.4 bar)
5	25-4000 PSIG (1.7-275.8 Bar)
6	50-6000 PSIG (3.5-413.7 Bar)
2	C <sub>v</sub> (FLOW)
1	C <sub>v</sub> 1.0
2	C <sub>v</sub> 2.0
3	PORT CONFIGURATIONS (from top)
H	
S	 (standard)

4	PORT SIZE (Inlet/outlet)
6	3/8"
8	1/2"
T	3/4"
<i>Gauge ports 1/4" FNPT</i>	
5	PORT TYPE (Inlet/outlet)
1	FNPT
2	SAE J1926
3	SAE AS5202*
P	BSPP
<i>*SAE AS5202 supersedes MS33649</i>	
67	O-RING MATERIAL
00	BUNA-N
02	VITON®
05	EPDM
11	KALREZ® 7075

MODIFICATIONS	
Blank	None
SM	Surface mount
T	10K 17-4 stainless steel construction

*6000 PSIG MAX INLET (316 stainless steel body)  
10000 PSIG MAX INLET (17-4 stainless steel body)  
The end user is responsible to ensure adequate fittings are used to connect regulator to plumbing*

*Kalrez® & Viton® are registered trademarks of E.I. duPont de Nemours and Company.*

*Contact factory for material certifications. Fees may apply*

## 3123 SERIES

High Pressure, 15000 PSIG MAX  
Back pressure regulators



High pressure Premier 3123 Series back pressure regulators are single stage, piston sensed, variable control pressure regulators, rated for inlet pressures up to 15000 PSIG (1034.21 bar) with a control pressure range of 300-15000 PSIG (20.68 - 1034.21 bar). For optimum compatibility with your desired application, we offer a choice of two seat materials: Vespel® and PEEK®. The 3123 Series regulator features a low torque hand knob for smooth adjustments.

### FEATURES

- Rated for pressures up to 15000 PSIG (1034.21 bar)
- Flow (Cv): 0.03, 0.06, 0.14, or 0.20
- Low torque ball bearing hand knob
- Very competitive pricing
- Machined bar stock body, bonnet and piston eliminates porosity found in castings
- Numerous optional features are available.

**SOME APPLICATIONS WILL REQUIRE A CUSTOM SOLUTION.**  
CONTACT PREMIER INDUSTRIES TO REQUEST A MODIFICATION  
OR A CUSTOM DESIGN.



## SPECIFICATIONS

- **MAXIMUM INLET PRESSURE:**
  - 15000 PSIG (1034.21 bar)
- **CONTROL PRESSURE RANGE:**
  - 300-15000 PSIG (20.68 - 1034.21 bar)
- **FLOW (C<sub>v</sub>):** 0.03, 0.06, 0.14, or 0.20
- **OPERATING TEMPERATURE:**
  - -15°F/-26°C to 165°F/74°C (BUNA-N)
  - -4°F/-20°C to 165°F/74°C (VITON-A®)
  - -65°F/-54°C to 165°F/74°C (EPDM)
  - 15°F/-9°C to 165°F/74°C (AFLAS)
  - -65°F/-54°C to 165°F/74°C (NITRILE)

## MATERIALS OF CONSTRUCTION

- **BODY:**
  - 316 Stainless Steel,
- **BONNET:**
  - 17-4 Stainless Steel
- **WETTED PARTS, OTHER:**
  - 316 Stainless Steel
  - 17-4 Stainless Steel
  - PH15-7Mo Stainless Steel
- **O-RINGS:**
  - BUNA-N
  - AFLAS®
  - Viton-A®
  - EPDM
  - KALREZ® (Contact factory for pricing)
  - Nitrile, Lo-temp
- **BACK-UP RINGS:** PTFE or PCTFE
- **VALVE SEAT:**
  - Vespel®
  - PEEK®

## PORTING

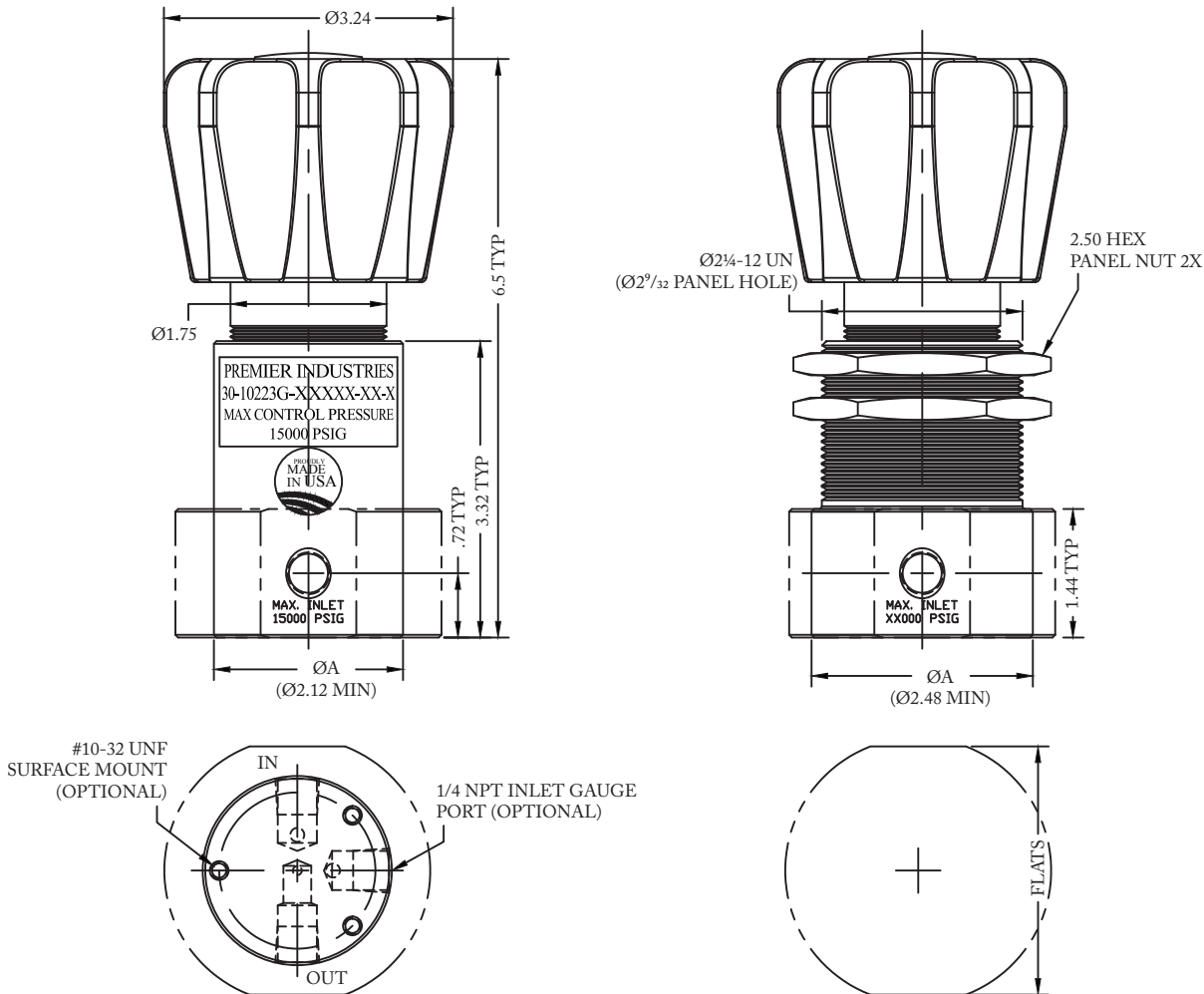
- **INLET/OUTLET PORTING OPTIONS:**
  - 1/4", 3/8" FNPT
  - 1/4", 3/8", 9/16" Medium pressure
  - 1/4", 3/8" High pressure

## OPTIONAL ITEMS

- Inlet gauge
- Private label
- Panel mounting bracket: P/N: 30-10059  
(Ø2.15 panel hole)

Vespel® Kalrez® & Viton® are registered trademarks of  
E.I. duPont de Nemours and Company  
AFLAS® is a registered trademark of the Asahi Glass Co., Ltd.  
PEEK® is a registered trademark of Victrex PLC

PART NUMBER: 30-10223G



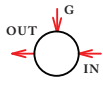

PANEL NUT BODY		
PORT TYPE	ØA	FLATS
NPT, NPTF	Ø2.48	—
1/4" M.P. & H.P.	Ø2.48	2.36
3/8" M.P.	Ø2.48	2.36
3/8" H.P.	Ø2.98	2.81
9/16" M.P.	Ø2.98	2.81

MOUNTING BRACKET BODY		
PORT TYPE	ØA	FLATS
1/4 & 3/8 NPT	Ø2.12	—
1/4" M.P. & H.P.	Ø2.12	1.98
3/8" M.P.	Ø2.48	2.36
3/8" H.P.	Ø2.98	2.81
9/16" M.P.	Ø2.98	2.81

# 3123 SERIES

High Pressure, 15000 PSIG MAX  
Back pressure regulators

PART #:	-	1	2	3	4	5	-	6 7	-	8
30-10223G	-						-		-	

1	OUTLET PRESSURE
8	300-15000 PSIG 20.68-1034.21 Bar
2	PORTING CONFIGURATION
H	
S	
3	PORT SIZE
4	1/4"
6	3/8"
9	9/16" <i>(Only available in medium pressure)</i>

4	PORT TYPE <i>(1/4" FNPT gauge port)</i>
1	FNPT
4	Medium Pressure
5	High Pressure
5	VALVE SEAT
0	Vespel®
3	PEEK®

6 7	O-RINGS
00	BUNA-N
01	AFLAS®
02	VITON®
05	EPDM
11	KALREZ® <i>(Contact factory for pricing)</i>
12	Nitrile, Low-temp
8	Cv (FLOW)
0	0.06
1	0.14
2	0.20
A	0.03

### 15000 PSIG MAX INLET

*The end user is responsible to ensure adequate fittings are used to connect regulator to plumbing.*

*Contact factory for material certifications. Fees may apply.*

*Kalrez® Vespel® & Viton® are registered trademarks of E.I. du Pont de Nemours and Company  
AFLAS® is a registered trademark of the Asahi Glass Co., Ltd. PEEK® is a registered trademark of Victrex PLC*

# 3123AL SERIES

Air loaded, High Pressure, 15000 PSIG MAX  
Back Pressure Regulators



Premier 3123AL Series air loaded, piston sensed, single stage, high pressure, back pressure regulators are rated for control pressures up to 15000 PSIG (*1034.21 bar*), and Cv 0.06, 0.14, or 0.20.

Premier 3123AL Series regulators are designed for compatibility with electropneumatic controllers, enabling piloted pressure control from an inert gas at low pressures (*100 psig / 6.89 bar max air load*).

Premier 3123AL Series regulators are used to regulate a broad range of non-corrosive and corrosive media (based on materials of construction).

## FEATURES

- Compatible with electro-pneumatic controllers
- 15000 PSIG (*1034.21 bar*) MAX
- Cv 0.06, 0.14, or 0.20
- Economical pricing
- Machined bar stock body, bonnet and piston eliminates porosity found in castings

**SOME APPLICATIONS WILL REQUIRE A CUSTOM SOLUTION.**  
CONTACT PREMIER INDUSTRIES TO REQUEST A MODIFICATION  
OR A CUSTOM DESIGN.

## SPECIFICATIONS

- **MAX INLET PRESSURE:**
  - REGULATOR:
    - 15000 PSIG / 1034.21 bar (*stainless steel*)
  - AIR ACTUATOR:
    - 100 PSIG (*6.89 bar*)
- **CONTROL PRESSURE RANGES:**
  - 300-15000 PSIG (*20.68 - 1034.21 bar*)  
*Diameter: 0.312"*  
*Area: 0.0765 in<sup>2</sup>*  
*Ratio: 164/1 \*\**

*\*\* 4.0" diameter diaphragm  
Diaphragm area: 12.5664 in<sup>2</sup>*

- **FLOW (C<sub>v</sub>):** 0.06, 0.14, or 0.20
- **OPERATING TEMPERATURE:**
  - -15°F/-26°C to 165°F/74°C (BUNA-N)
  - -4°F/-20°C to 165°F/74°C (Viton®)
  - -65°F/-54°C to 165°F/74°C (EPDM)
  - 0°F/-17°C to 165°F/74°C (KALREZ®)
  - 15°F/-9°C to 165°F/74°C (ALFAS)
  - -50°F/-45°C to 165°F/74°C (Nitrile, Low-temp)

## MATERIALS OF CONSTRUCTION

- **BODY OPTIONS:**
  - 316 Stainless Steel
- **HOUSING, AIR ACTUATOR:**
  - 6061-T6 Aluminum, Clear Anodized
- **DIAPHRAGM, AIR ACTUATOR:**
  - Neoprene, nylon reinforced
- **WETTED PARTS, OTHER:**
  - 316 Stainless Steel,
  - 17-4 Stainless Steel
  - PH15-7Mo Stainless Steel
- **O-RING SEALS:**
  - Buna-N
  - Aflas®
  - Viton®
  - EPDM
  - Kalrez® (*Contact factory for pricing*)
  - Nitrile, low-temperature
- **BACK-UP RINGS:** PTFE, PCTFE
- **MAIN VALVE SEAT:**
  - Vespel®
  - 17-4 H900 Stainless Steel
  - 316 Stainless Steel
  - PEEK®

## PORTING

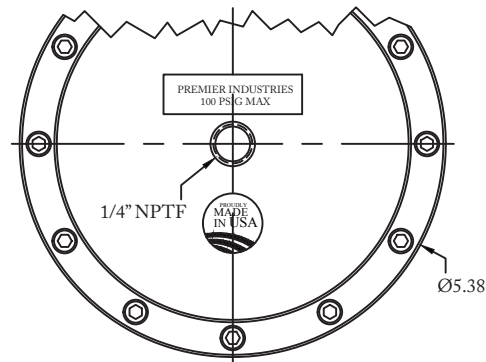
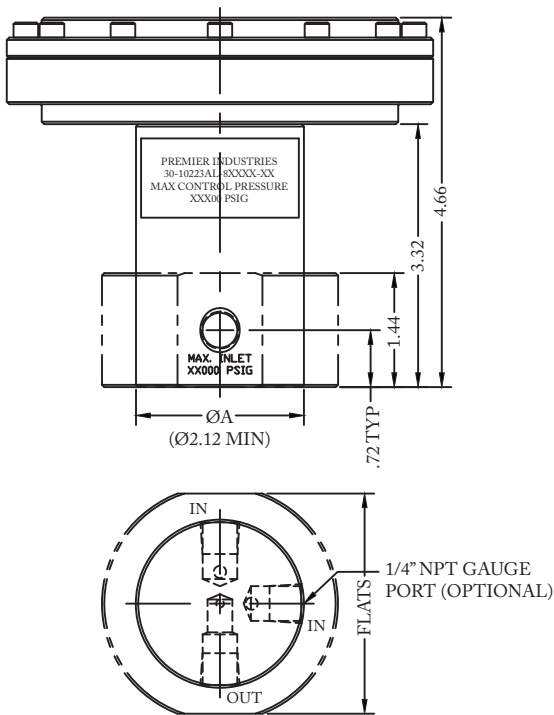
- **INLET PORTING:**
  - 1/4" FNPT, medium pressure, high pressure
  - 3/8" FNPT, medium pressure, high pressure
  - 9/16" medium pressure
- **OUTLET PORTING:**
  - 1/4" FNPT, medium pressure, high pressure
  - 3/8" FNPT, medium pressure, high pressure
  - 9/16" medium pressure

## OPTIONS

- Gauges
- Private label
- Panel mounting bracket: *P/N: 30-10059 (Ø2.15 panel hole)*

*Kalrez® & Viton® are registered trademarks of E.I. duPont de Nemours and Company  
AFLAS® is a registered trademark of the Asahi Glass Co., Ltd  
PEEK® is a registered trademark of Victrex PLC*

PART NUMBER: 30-10223AL



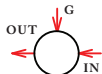

**BODY DIMENSIONS**

PORT TYPE	ØA	FLATS
1/4 & 3/8 NPT	Ø2.12	—
1/4" M.P.	Ø2.12	1.98
1/4" H.P.	Ø2.12	1.98
3/8" M.P.	Ø2.48	2.36
3/8" H.P.	Ø2.98	2.78
9/16" M.P.	Ø2.98	2.78

# 3123AL SERIES

Air loaded, High Pressure, 15000 PSIG MAX  
Back Pressure Regulators

PART #:	-	1	2	3	4	5	-	6 7	-	8
30-10223AL	-						-		-	

1	OUTLET PRESSURE
8	300-15000 PSIG <i>Diameter: 0.312"</i> 20.68-1034.21 Bar <i>Area: 0.0765 in<sup>2</sup></i> <i>(stainless steel only)</i> <i>Ratio: 1<sup>64</sup>/<sub>1</sub> **</i>
<i>** 4.0" diameter diaphragm</i> <i>Diaphragm area: 12.5664 in<sup>2</sup></i>	
2	PORTING CONFIGURATION
H	
S	
3	PORT SIZE
4	1/4"
6	3/8"
9	9/16" <i>(Only available in medium pressure)</i>

4	PORT TYPE <i>(1/4" FNPT gauge port)</i>
1	FNPT
4	Medium Pressure
5	High Pressure
5	VALVE SEAT
0	Vespel®
1	17-4 H900 Stainless Steel
2	316 Stainless Steel
3	PEEK®

6 7	O-RINGS
00	BUNA-N
01	AFLAS®
02	VITON®
05	EPDM
11	KALREZ® <i>(Contact factory for pricing)</i>
12	Nitrile, Low-temp
8	Cv (FLOW)
0	0.06
1	0.14
2	0.20

### 15000 PSIG MAX INLET

*The end user is responsible to ensure adequate fittings are used to connect regulator to plumbing.*

*Kalrez® Vespel® & Viton® are registered trademarks of E.I. duPont de Nemours and Company  
AFLAS® is a registered trademark of the Asahi Glass Co., Ltd.  
PEEK® is a registered trademark of Victrex PLC*

*Contact factory for material certifications. Fees may*

# 3125 SERIES

High Pressure, 20000 PSIG  
Back Pressure Regulator



Premier 3125 Series high pressure, back pressure regulators are single stage, piston sensed regulators rated for inlet and outlet pressures up to 20000 PSIG (*1378.95 bar*), and Cv 0.03, 0.06, 0.14, or 0.20.

## FEATURES

- Rated for pressures up to 20000 PSIG (*1378.95 bar*)
- Flow capacity (Cv): 0.03, 0.06, 0.14, or 0.20
- Fluted knob with ball-bearing loader
- Machined bar stock body, bonnet and piston eliminates porosity found in castings

**SOME APPLICATIONS WILL REQUIRE A CUSTOM SOLUTION.**  
CONTACT PREMIER INDUSTRIES TO REQUEST A MODIFICATION  
OR A CUSTOM DESIGN.



## SPECIFICATIONS

- **MAX INLET PRESSURE:**
  - 20000 PSIG (1378.95 bar)
- **CONTROL PRESSURE RANGE:**
  - 500-20000 PSIG (34.47 - 1378.95 bar)
- **FLOW (Cv):** 0.03, 0.06, 0.14, 0.20
- **OPERATING TEMPERATURE:**
  - -15°F/-26°C to 165°F/74°C (BUNA-N)
  - -4°F/-20°C to 165°F/74°C (VITON-A®)
  - -65°F/-54°C to 165°F/74°C (EPDM)

*\*\*lower temperature compounds available upon request*

## MATERIALS OF CONSTRUCTION

- **BODY:**
  - 316 Stainless Steel,
- **BONNET:**
  - 17-4 Stainless Steel
- **WETTED PARTS, OTHER:**
  - 316 Stainless Steel
  - 17-4 Stainless Steel
- **O-RINGS:**
  - BUNA-N
  - Aflas®
  - Viton-A®
  - EPDM
  - KALREZ®
- **BACK-UP RINGS:** PCTFE & PEEK®
- **VALVE SEAT:**
  - Vespel® SCP-5000

## PORTING

- **INLET/OUTLET/VENT PORTING:**
  - 1/4" Medium pressure, High Pressure\*
  - 3/8" Medium pressure, High Pressure
  - 9/16" Medium pressure, High Pressure

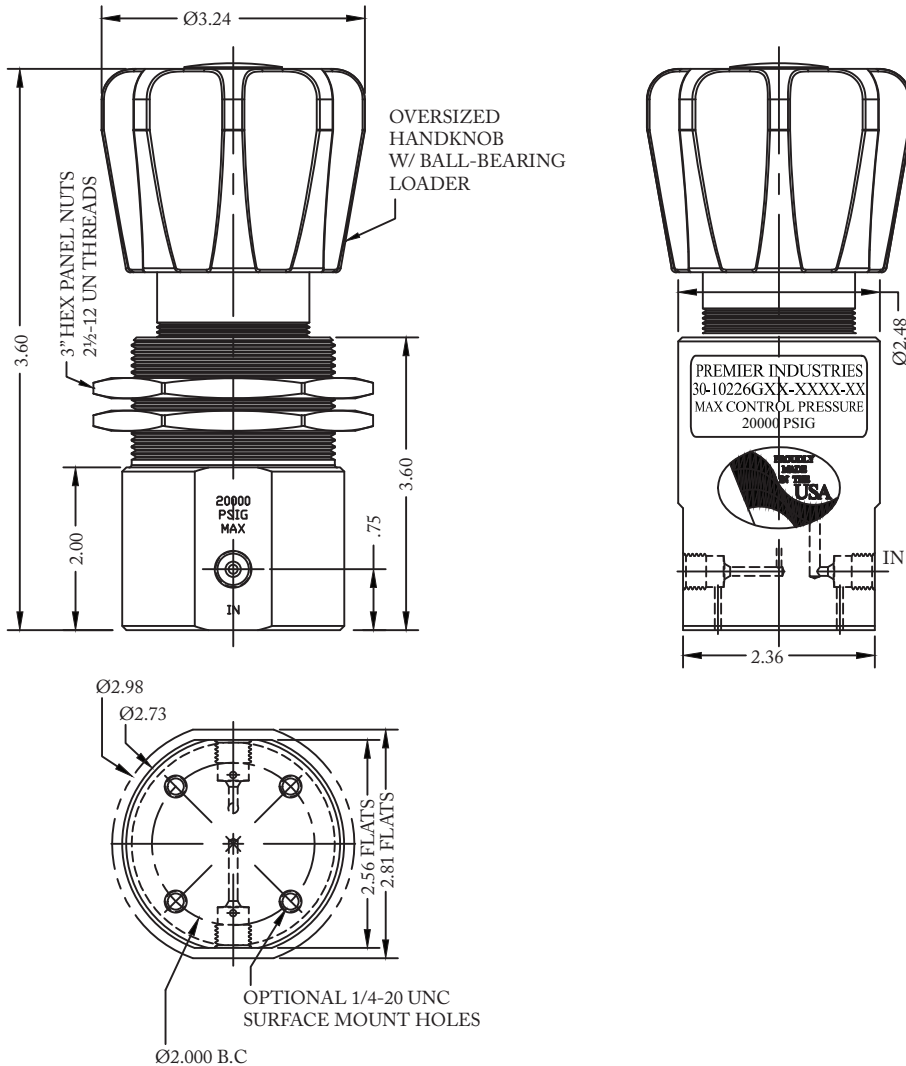
*\*Cv 0.20 not available with 1/4" high pressure ports*

## OPTIONAL ITEMS

- Surface mount
- Panel mounting nuts (P/N: 30-10145-02)

*Kalrez® Vespel® & Viton® are registered trademarks of E.I.duPont de Nemours and Company  
AFLAS® is a registered trademark of the Asahi Glass Co., Ltd.  
PEEK® is a registered trademark of Victrex PLC*

**PART NUMBER: 30-10226G**



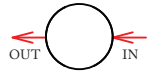
PANEL NUT BODY		
PORT TYPE	BODY Ø	FLATS
1/4" M.P. & H.P.	Ø2.73	2.56
3/8" M.P. & H.P.	Ø2.73	2.56
9/16" M.P.	Ø2.98	2.81

MOUNTING BRACKET BODY		
PORT TYPE	BODY Ø	FLATS
1/4" M.P. & H.P.	Ø2.48	2.36
3/8" M.P. & H.P.	Ø2.48	2.36
9/16" M.P.	Ø2.98	2.81

# 3125 SERIES

High Pressure, 20000 PSIG  
Back Pressure Regulator

PART #	1	2	-	3	4	5	6	-	7	8	-	MODS
30-10226G			-					-			-	

1 2	BODY STYLE
<b>MB</b>	Mounting bracket style body
<b>PN</b>	Panel nut style body <i>(panel nuts included)</i>
3	FLOW (Cv)
<b>A</b>	Cv: 0.03
<b>0</b>	Cv: 0.06
<b>1</b>	Cv: 0.14
<b>2</b>	Cv: 0.20
4	PORTING CONFIGURATION
<b>S</b>	

5	PORT SIZE
<b>4</b>	1/4"
<b>6</b>	3/8"
<b>9</b>	9/16"
6	PORT TYPE <i>(IN/OUT/VENT)</i>
<b>4</b>	Medium pressure
<b>5</b>	High pressure*
*0.20 Cv not available with 1/4" high pressure ports	

7 8	O-RING MATERIAL
<b>00</b>	BUNA-N
<b>01</b>	AFLAS®
<b>02</b>	VITON®
<b>05</b>	EPDM
<b>11</b>	KALREZ® <i>(Contact factory for pricing)</i>
MODIFICATIONS	
<b>Blank</b>	None
<b>SM</b>	Surface mount

**20000 PSIG MAX INLET**  
*The end user is responsible to ensure adequate fittings are used to connect regulator to plumbing.*

*Kalrez® & Viton® are registered trademarks of E.I. duPont de Nemours and Company*

*AFLAS® is a registered trademark of the Asahi Glass Co., Ltd.*

*Contact factory for material certifications. Fees may apply.*

# 5150 SERIES

High Flow, Piston Sensed  
Back Pressure Regulator



Premier 5150 Series low pressure, high flow, back pressure regulators are rated for control pressures up to 200 PSIG (*13.79 bar*) and Cv 5.0.

## FEATURES

- Cv: 5.0 max
- 200 PSIG (*13.79 bar*) max control pressure
- Economical pricing
- Compact, non-rising stem
- Machined bar stock body eliminates porosity found in castings

**SOME APPLICATIONS WILL REQUIRE A CUSTOM SOLUTION.**  
CONTACT PREMIER INDUSTRIES TO REQUEST A MODIFICATION  
OR A CUSTOM DESIGN.

## SPECIFICATIONS

- **CONTROL PRESSURE RANGES:**
  - 0-25 PSIG (0-1.72 bar)
  - 0-50 PSIG (0-3.45 bar)
  - 0-125 PSIG (0-8.62 bar)
  - 0-200 PSIG (0-13.79 bar)
- **FLOW COEFFICIENT (C<sub>v</sub>):** 5.0 max

## MATERIALS OF CONSTRUCTION

- **BODY OPTIONS:**
  - 316 Stainless Steel
  - 303 Stainless Steel
  - 6061-T6 Aluminum, clear anodized
- **SEALS & SEAT MATERIAL OPTIONS:**
  - Buna-n
  - Viton®
  - EPDM
- **MAIN VALVE STEM:**
  - 17-4 Stainless Steel

## PORTING

- **STANDARD INLET:**
  - 3/4" FNPT
- **STANDARD OUTLET:**
  - 3/4" FNPT

## OPTIONS

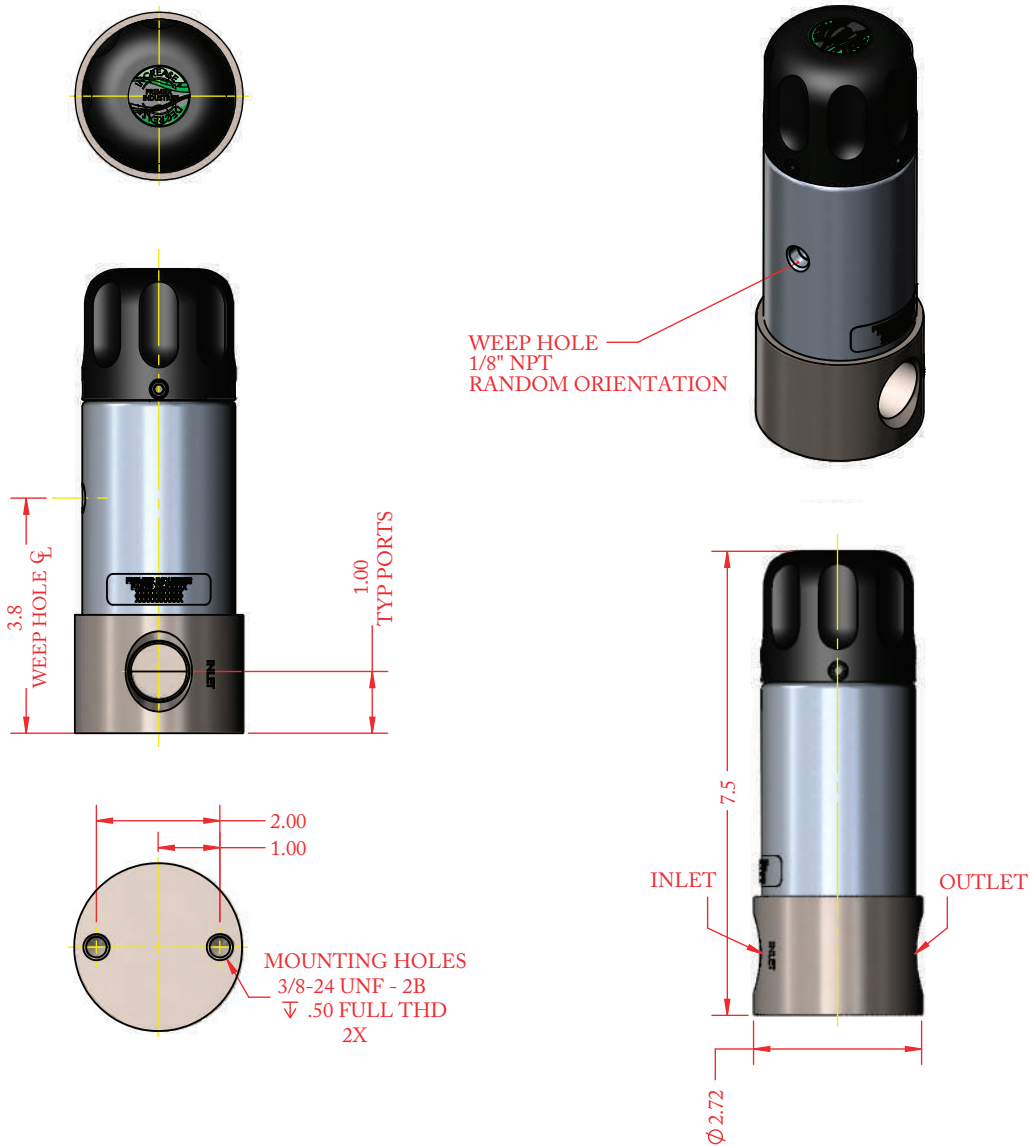
- Private labeling

*Viton® is a registered trademark of E.I. duPont de Nemours and Company*

# 5150 SERIES

High Flow, Piston Sensed  
Back Pressure Regulator

PART NUMBER: 50-12800



# 5150 SERIES

High Flow, Piston Sensed  
Back Pressure Regulator

PART NUMBER	-	1	2	3	4	5
50-12800	-					

1	BODY & SENSOR ASSEMBLY MATERIALS
1	6061-T6 Aluminum, Clear Anodize
2	303 Stainless Steel
3	316 Stainless Steel
2	SEAL MATERIAL
1	Buna-n
2	Viton®
3	EPDM
3	PORTING
1	3/4" FNPT

4	CONTROL PRESSURE
1	0-25 PSIG (0-1.72 bar)
2	0-50 PSIG (0-3.45 bar)
3	0-125 PSIG (0-8.62 bar)
4	0-200 PSIG (0-13.79 bar)
5	GAUGES
0	None

*Viton® is a registered trademark of E.I.duPont de Nemours and Company  
Contact factory for material certifications.  
Fees may apply.*

# 5150AL SERIES

High Flow, Air Loaded  
Back Pressure Regulator



Premier 5150AL Series air loaded, single stage, high flow, piston sensed, back pressure regulators, designed for control pressures up to 300 PSIG (20.68 bar), and Cv 5.0. The 5150AL features an air loader with a max load pressure of 100 PSIG (6.89 bar).

## FEATURES

- Flow capacity (Cv): 5.0
- Compatible with electro pneumatic controllers
- 1:3 control:dome
- Economical pricing
- Machined bar stock body eliminates porosity found in castings

**SOME APPLICATIONS WILL REQUIRE A CUSTOM SOLUTION.**  
CONTACT PREMIER INDUSTRIES TO REQUEST A MODIFICATION  
OR A CUSTOM DESIGN.



## SPECIFICATIONS

- **CONTROL PRESSURE:**
  - 0-300 PSIG (20.68 bar)
- **DESIGN PRESSURE:**
  - 1500 PSIG MAX (103.42 bar)
- **MAX AIR LOAD:**
  - 100 PSIG (6.89 bar)
- **FLOW (Cv):** 5.0

## MATERIALS OF CONSTRUCTION

- **BODY AND SENSOR ASSEMBLY OPTIONS:**
  - 6061-T6 Aluminum, Clear Anodize
  - 316 Stainless Steel
- **MAIN VALVE STEM:**
  - 17-4 H1150 Stainless Steel
- **SEAL AND MAIN VALVE MATERIAL OPTIONS:**
  - Buna-N
  - Viton-A®
  - EPDM
- **NYLOC:**
  - 316 Stainless Steel w/ Nylon Insert
- **AIR LOADER:**
  - 6061-T6 Aluminum, Clear Anodize

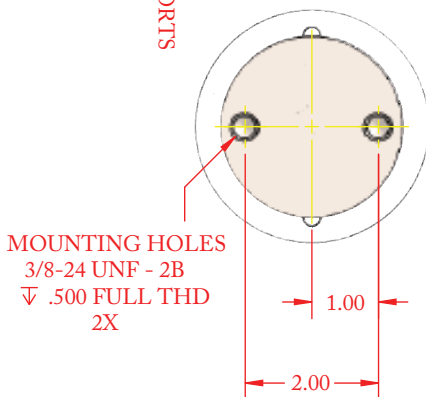
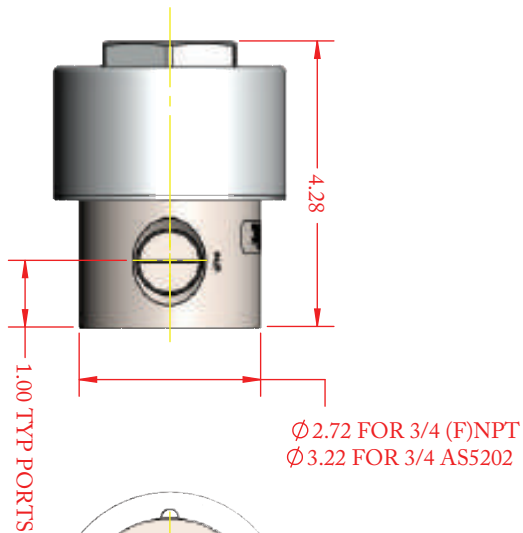
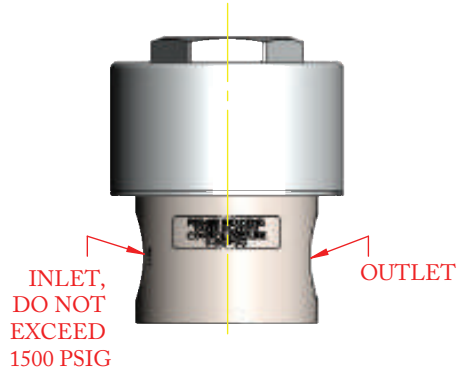
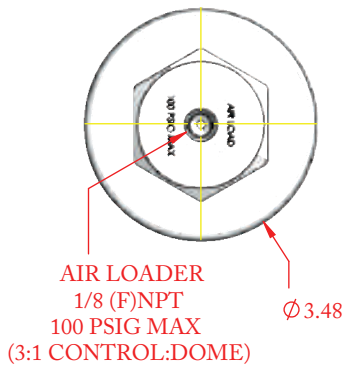
## PORTING

- **INLET/OUTLET PORT OPTIONS:**
  - 3/4" FNPT
  - 3/4" SAE AS5202
- **LOAD PORT:**
  - 1/8" FNPT

## OPTIONS

- Private labeling
- Larger ports / body diameter (P/N: 30-10230)

**PART NUMBER: 50-13438**



# 5150AL SERIES

High Flow, Air Loaded  
Back Pressure Regulator

PART #	-	1	2	3	4
50-13438	-				

1	BODY AND SENSOR ASSEMBLY
1	6061-T6 Aluminum, Clear Anodize
2	316 Stainless Steel
2	SEAL MATERIAL
1	BUNA-N
2	Viton-A®
3	EPDM

3	PORTING
1	3/4 FNPT
2	3/4 AS5202
4	GAUGES
0	NONE

*Viton-A® is a registered trademark of  
E.I. duPont de Nemours and Company*

*Contact factory for material certifications.  
Fees may apply.*

# 6100 SERIES

Hydraulic, High Pressure  
Back Pressure Regulator



Premier 6100 Series high pressure, hydraulic, single stage, piston sensed, back pressure regulators are rated for control pressures up to 10000 PSIG (*689.48 bar*) and Cv 0.03, 0.06, 0.14, or 0.20.

They are used to regulate to a broad range of non-corrosive and corrosive media (based on materials of construction) Premier 6100 Series regulators can be supplied with a wide range of inlet and outlet configurations.

## FEATURES

- Control pressures up to 10000 PSIG (*689.48 bar*) max
- Cv: 0.03, 0.06, 0.14, or 0.20
- Economical pricing
- Multiple mounting options (*bracket / panel nuts*)
- Machined bar stock body, bonnet and piston eliminates porosity found in castings
- Numerous materials & optional features available.

**SOME APPLICATIONS WILL REQUIRE A CUSTOM SOLUTION.**  
CONTACT PREMIER INDUSTRIES TO REQUEST A MODIFICATION  
OR A CUSTOM DESIGN.

## SPECIFICATIONS

- **MAXIMUM INLET PRESSURE:**
  - 10000 PSIG (689.48 bar)
- **CONTROL PRESSURE RANGES:**
  - 5-500 PSIG (0.34 - 34.5 bar)
  - 5-800 PSIG (0.34 - 55.16 bar)
  - 10-1500 PSIG (0.69 - 103.42 bar)
  - 15-2500 PSIG (1.03 - 172.37 bar)
  - 25-4000 PSIG (1.72- 275.79 bar)
  - 50-6000 PSIG (3.45 - 413.69 bar)
  - 100-10000 PSIG (6.89- 689.48 bar)  
(stainless steel only)
- **FLOW (Cv):** 0.03, 0.06, 0.14, 0.20
- **AMBIENT OPERATING TEMP:\*\***
  - -15°F/-26°C to 165°F/74°C (BUNA-N)
  - -4°F/-20°C to 165°F/74°C (Viton®)
  - -65°F/-54°C to 165°F/74°C (EPDM)

*\*\*Lower temperature compounds are available, Above temperature ranges will apply to the majority of media for which the material is recommended. Temperature ranges can vary with some media, ALWAYS TEST UNDER SERVICE CONDITIONS.*

## MATERIALS OF CONSTRUCTION

- **BODY & BONNET:**
  - 316 Stainless Steel & 17-4 Stainless Steel
- **WETTED, OTHER:**
  - 316 Stainless Steel
  - 17-4 Stainless Steel
- **SEALS:**
  - Viton-A®
  - BUNA-N
  - EPDM
  - KALREZ® (Contact factory for pricing)
  - AFLAS®
  - Nitrile, low temperature
- **VALVE SEAT:**
  - Vespel®
  - PEEK®
  - 316 Stainless Steel (NACE)
  - 17-4 Stainless Steel

## PORTING

- **INLET/OUTLET OPTIONS:**
  - 1/4 FNPT, SAE J1926, SAE AS5202\*\*, medium pressure
  - 3/8 FNPT, SAE J1926, SAE AS5202\*\*, medium pressure
  - 1/2 FNPT, SAE J1926, SAE AS5202\*\*
  - 9/16 medium pressure
  - 3/4 FNPT SAE J1926, SAE AS5202\*\*, medium pressure

(SAE AS5202 supersedes MS33649\*\*)

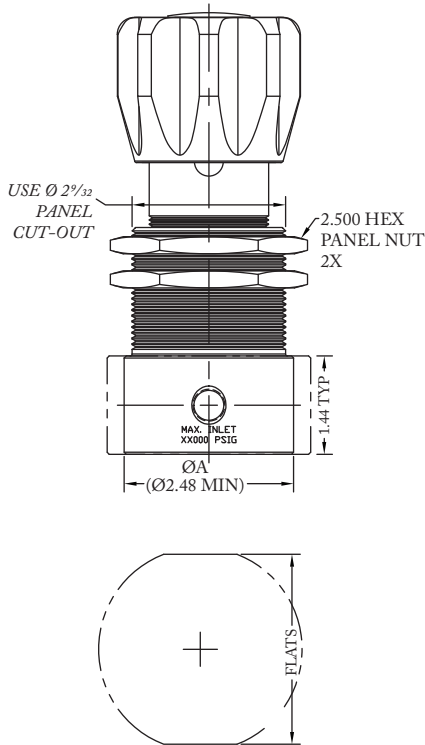
## OPTIONS

- Gauges
- Private label
- Panel mounting bracket: P/N: 30-10059 (Ø2.15 panel hole)
- Panel mounting nuts: P/N: 30-10189 (Ø2.28 panel hole)
- Surface mounting holes

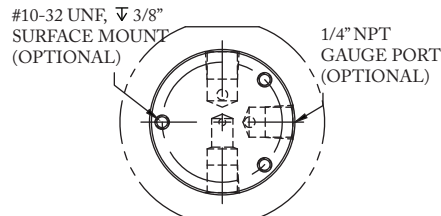
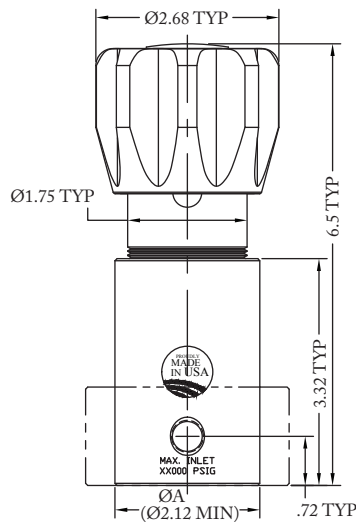
*Vespel® KALREZ® & Viton-A® are registered trademarks of E.I. duPont de Nemours and Company  
AFLAS® is a registered trademark of Asahi Glass Co., Ltd.  
PEEK® is a registered trademark of Victrex PLC*

PART NUMBER: 30-10066

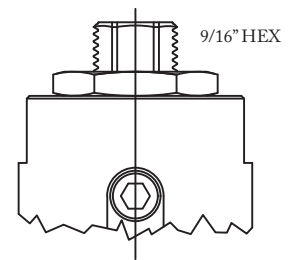
## PANEL NUT STYLE



## PANEL MOUNTING BRACKET STYLE



## TAMPER RESISTANT WRENCH ADJUST (OPTIONAL)



PANEL NUT BODY		
PORT TYPE	ØA	FLATS
NPT, NPTF	Ø2.48	—
1/4" OTHER	Ø2.48	2.36
3/8" M.P.	Ø2.48	2.36
3/8" SAE	Ø2.73	2.58
1/2" SAE	Ø2.98	2.81
9/16" M.P.	Ø2.98	2.81

MOUNTING BRACKET BODY		
PORT TYPE	ØA	FLATS
1/4 & 3/8 NPT, NPTF	Ø2.12	—
1/4" M.P.	Ø2.12	1.98
1/2" NPT, NPTF	Ø2.48	—
1/4" SAE	Ø2.48	2.36
3/8" M.P.	Ø2.48	2.36
3/8" SAE	Ø2.73	2.58
1/2" SAE	Ø2.98	2.81
9/16" M.P.	Ø2.98	2.81
3/4" NPT	Ø2.98	—

# 6100 SERIES

Hydraulic, High Pressure  
Back Pressure Regulator

PART #:	1	2	-	3	4	5	6	7	-	8	9	10	MODS
30-10066			-						-				

316 Stainless Steel body &  
17-4 Stainless Steel bonnet  
standard

1 2	MOUNTING STYLE
MB	Mounting Bracket Style Body
PN	Panel Nut Style Body <i>(Panel Nuts Included)</i>
3	CONTROL PRESSURE
1	5-500 PSIG <i>(0.34-34.5 Bar)</i>
2	5-800 PSIG <i>(0.34-55.2 Bar)</i>
3	10-1500 PSIG <i>(0.69-103.4 Bar)</i>
4	15-2500 PSIG <i>(1.0-172.4 Bar)</i>
5	25-4000 PSIG <i>(1.7-275.8 Bar)</i>
6	50-6000 PSIG <i>(3.4-413.7 Bar)</i>
7	100-10000 PSIG <i>(6.9-689.5 Bar)</i> <i>(stainless steel only)</i>
4	FLOW (Cv)
A	Cv 0.03
0	Cv 0.06
1	Cv 0.14
2	Cv 0.2

5	PORTING CONFIG.
H	
S	
6	PORT SIZE
4	1/4"
6	3/8"
8	1/2"*
9	9/16"*
T	3/4"
<p><i>*1/2" ports not available in medium pressure</i>  <i>**9/16" ports only available in medium pressure</i>  <i>Gauge ports: 1/4" FNPT</i></p>	
7	PORT TYPE IN/OUT
1	NPT
2	SAE J1926
3	SAE AS5202**
4	Medium Pressure
<p><i>**SAE AS5202 supersedes MS33649</i></p>	

8	VALVE SEAT
0	VESPEL® <i>(6000+ psig inlet)</i>
1	17-4 H900 Stainless Steel
2	316 Stainless Steel <i>(NACE)</i>
3	PEEK®
9 10	O-RING MATERIAL
00	BUNA-N
01	AFLAS®
02	VITON®
05	EPDM
11	KALREZ® <i>(Contact factory for pricing)</i>
12	NITRILE, LO-TEMP
MODIFICATIONS	
<i>Separate multiple mods with a dash</i>	
N	NACE MR0175 option
SM	Surface mount <i>Surface mounting holes: pattern dependant on port type &amp; configuration</i>
WA	Wrench adjust

*VespeL® Kalrez® & Viton® are registered trademarks of E.I.duPont de Nemours and Company  
 Kel-F® is a registered trademark of 3M Company. AFLAS® is a registered trademark of Asahi Glass Co., Ltd.  
 PEEK is a registered trademark of Victrex PLC*

*10000 PSIG MAX INLET (Stainless Steel)  
 6000 PSIG MAX INLET (SAE 360 Brass)  
 The end user is responsible to ensure adequate fittings are used to connect regulator to plumbing.  
 Contact factory for material certifications. Fees may apply.*

# 6100AL SERIES

Air Loaded, Hydraulic, High Pressure  
Back Pressure Regulator



Premier 6100AL Series air loaded, hydraulic, piston sensed, single stage, high pressure, back pressure regulators are rated for control pressures up to 10000 PSIG (*689.48 bar*), and Cv 0.03, 0.06, 0.14, or 0.2.

Premier 6100AL Series regulators are used to regulate to a broad range of non-corrosive and corrosive media (*based on materials of construction*).

## FEATURES

- Compatible with electro pneumatic controllers
- Cv 0.03, 0.06, 0.14, or 0.2
- Control pressures up to 10000 PSIG (*689.48 bar*)
- Machined bar stock body, bonnet and piston eliminates porosity found in castings
- Numerous optional features are available

**SOME APPLICATIONS WILL REQUIRE A CUSTOM SOLUTION.**  
CONTACT PREMIER INDUSTRIES TO REQUEST A MODIFICATION  
OR A CUSTOM DESIGN.



# 6100AL SERIES

Air Loaded, Hydraulic, High Pressure  
Back Pressure Regulator

## SPECIFICATIONS

- **MAXIMUM INLET PRESSURE:**
    - **REGULATOR:**
      - 10000 PSIG / 689.5 bar (316 Stainless Steel)
      - 6000 PSIG / 413.7 bar (SAE 360 Brass)
    - **AIR ACTUATOR:** 100 PSIG (6.89 bar)
  - **CONTROL PRESSURE RANGES:**
    - 10-1500 PSIG (0.69 - 103.42 bar)
      - Diameter: 1.000"
      - Area: 0.7854 in<sup>2</sup>
      - Ratio: 1<sup>6</sup>/<sub>1</sub> \*\*
    - 15-2500 PSIG (1.03 - 172.37 bar)
      - Diameter: 0.750"
      - Area: 0.4418 in<sup>2</sup>
      - Ratio: 2<sup>8</sup>/<sub>1</sub> \*\*
    - 50-6000 PSIG (3.45 - 413.69 bar)
      - Diameter: 0.500"
      - Area: 0.1964 in<sup>2</sup>
      - Ratio: 6<sup>4</sup>/<sub>1</sub> \*\*
    - 100-10000 PSIG (6.89 - 689.5 bar)
      - Diameter: 0.375"
      - Area: 0.1104 in<sup>2</sup>
      - Ratio: 1<sup>14</sup>/<sub>1</sub> \*\*
- \*\* 4.0" diameter diaphragm  
Diaphragm area: 12.5664 in<sup>2</sup>*
- **FLOW (Cv):** 0.03, 0.06, 0.14, or 0.20

## MATERIALS OF CONSTRUCTION

- **BODY OPTIONS:**
  - SAE 360 brass
  - 316 Stainless Steel
- **HOUSING, AIR ACTUATOR :**
  - 6061-T6 Aluminum/clear anodized
- **DIAPHRAGM, AIR ACTUATOR :**
  - Neoprene, nylon fabric-reinforced
- **MAIN VALVE STEM:** 316 Stainless Steel
- **MAIN VALVE SEAT OPTIONS:**
  - Vespel®
  - 17-4 Stainless Steel
  - 316 Stainless Steel
  - PEEK®
- **ELASTOMER SEAL OPTIONS:**
  - BUNA-N
  - Viton-A®
  - EPDM
  - Kalrez® (*Contact factory for pricing*)
- **WETTED PARTS:**
  - 316 Stainless Steel
  - 17-4 Stainless Steel
- **BACK-UP RINGS:**
  - PTFE
  - PCTFE

## PORTING

- **INLET/OUTLET**
  - 1/4", 3/8", 1/2" FNPT
  - 1/4", 3/8", 1/2" SAE J1926
  - 1/4", 3/8", 1/2" SAE AS5202 (MS33649\*\*)
  - 1/4", 3/8", 9/16" MEDIUM PRESSURE
  - 1/4", 3/8", 1/2" NPTF
- **AIR ACTUATOR:**
  - 1/4-18" FNPT (Standard)
  - 1/4" SAE AS5202 (mod)
  - 1/4" SAE J1926 (mod)
  - 1/8" FNPT (mod)

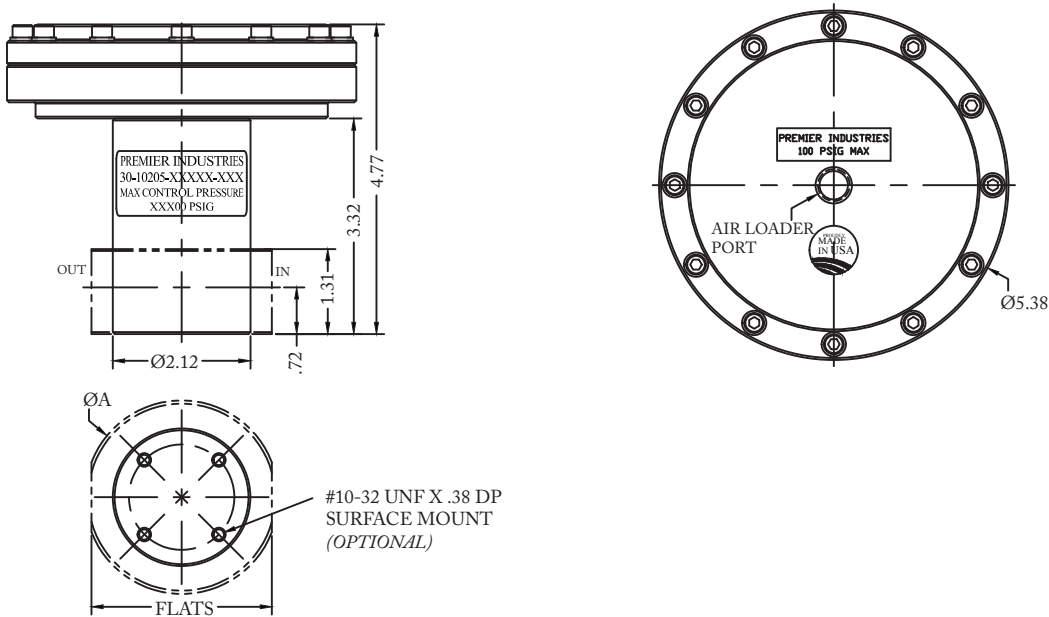
*\*\*SAE AS5202 supersedes MS33649*

## OPTIONAL ITEMS

- Panel mounting bracket: P/N: 30-10059 (Ø2.15 panel hole)
- Surface mount
- Private label

*Vespel® KALREZ® & Viton-A® are registered trademarks of E.I.duPont de Nemours and Company  
AFLAS® is a registered trademark of Asahi Glass Co., Ltd.  
PEEK® is a registered trademark of Victrex PLC*

**PART NUMBER: 30-10205**



BODY DIMENSIONS		
PORT TYPE	ØA	FLATS
1/4 & 3/8 NPT	Ø2.12	—
1/4" M.P.	Ø2.12	1.98
1/2" NPT, NPTF	Ø2.48	—
1/4" SAE	Ø2.48	2.36
3/8" M.P.	Ø2.48	2.36
3/8" SAE	Ø2.73	2.58
1/2" SAE	Ø2.98	2.81
9/16" M.P.	Ø2.98	2.81

# 6100AL SERIES

Air Loaded, Hydraulic, High Pressure  
Back Pressure Regulator

PART #	-	1	2	3	4	5	-	6	7	8	-	MODS
30-10205	-						-				-	

1	BODY MATERIALS (MAX. INLET PRESSURE)	
1	SAE 360 Brass (6000 psig / 413.7 bar)	
2	316 Stainless Steel (10000 psig / 689.5 bar)	
2	CONTROL PRESSURE	
3	10-1500 psig (0.69-103.4 bar)	Diameter: 1.000" Area: 0.7854 in <sup>2</sup> Ratio: 16/1 **
4	15-2500 psig (1.0-172.4 bar)	Diameter: 0.750" Area: 0.4418 in <sup>2</sup> Ratio: 28/1 **
6	50-6000 psig (3.4-413.7 bar)	Diameter: 0.500" Area: 0.1964 in <sup>2</sup> Ratio: 64/1 **
7	100-10000 psig (6.9-689.5 bar) (stainless steel only)	Diameter: 0.375" Area: 0.1104 in <sup>2</sup> Ratio: 114/1 **
** 4.0" diameter diaphragm Diaphragm area: 12.5664 in <sup>2</sup>		
3	FLOW (Cv)	
A	Cv 0.03	
0	Cv 0.06	
1	Cv 0.14	
2	Cv 0.2	

4	PORT SIZE
4	1/4"
6	3/8"
8	1/2"*
9	9/16"**
*1/2" not available in medium pressure **9/16" only available in medium pressure	
5	PORT TYPE
1	FNPT
2	SAE J1926
3	SAE AS5202 (MS33649**)
4	MEDIUM PRESSURE
**SAE AS5202 supersedes MS33649	

6	VALVE SEAT
0	Vespel®
1	17-4 H900 Stainless Steel
2	316 Stainless Steel
3	PEEK®
7 8	O-RING MATERIAL
00	BUNA-N
02	VITON®
05	EPDM
11	KALREZ® (Contact factory for pricing)
MODIFICATIONS	
Separate multiple mods with a dash	
BLANK	none
AS	1/4" SAE AS5202 LOADER PORT
E	1/8" NPT AIR LOADER PORT
J	1/4" SAE J1926 LOADER PORT
SM	SURFACE MOUNT

Kalrez® & Viton® are registered trademarks of E.I.duPont de Nemours and Company  
PEEK® is a registered trademark of Victrex PLC  
Contact factory for material certifications.  
Fees may apply.

10000 PSIG MAX INLET (Stainless Steel)  
6000 PSIG MAX INLET (Brass)  
The end user is responsible to ensure adequate fittings are used to connect regulator to plumbing.

# 6100DL SERIES

Dome Loaded, Hydraulic, High Pressure  
Back Pressure Regulator



Premier 6100DL Series dome loaded, hydraulic, piston sensed, high pressure, back pressure regulators are rated for control pressures up to 6000 PSIG (*413.69 bar*), and Cv 0.06, 0.14, or 0.2.

Premier 6100DL Series regulators are used to regulate to a broad range of non-corrosive and corrosive media (*based on materials of construction*).

## FEATURES

- Compatible with electro pneumatic controllers
- 1:1 dome load
- Cv 0.06, 0.14, 0.2 (*Cv 0.4 model available upon request*)
- Control pressures up to 6000 PSIG (*413.69 bar*)
- Very competitive pricing
- Machined bar stock body, bonnet and piston eliminates porosity found in castings
- Gas versions available
- Designs available with bias spring

**SOME APPLICATIONS WILL REQUIRE A CUSTOM SOLUTION.**  
CONTACT PREMIER INDUSTRIES TO REQUEST A MODIFICATION  
OR A CUSTOM DESIGN.

## SPECIFICATIONS

- **MAXIMUM INLET PRESSURE:**
  - REGULATOR: 6000 PSIG (413.69 bar)
  - DOME LOAD: 6000 PSIG (413.69 bar)
- **MAXIMUM CONTROL PRESSURE:**
  - 6000 PSIG (413.69 bar)
- **FLOW (Cv):** 0.06, 0.14, or 0.20  
(See P/N 30-10221F for Cv 0.4)

## MATERIALS OF CONSTRUCTION

- **BODY OPTIONS:**
  - SAE 360 Brass
  - 316 Stainless Steel
- **BONNET OPTIONS:**
  - SAE 360 Brass
  - 303 Stainless Steel
- **MAIN VALVE SEAT OPTIONS:**
  - Vespel®
  - 17-4 Stainless Steel
- **ELASTOMER SEAL OPTIONS:**
  - BUNA-N
  - Viton®
  - EPDM
  - Kalrez® (Contact factory for pricing)
- **WETTED PARTS:**
  - 300 Series Stainless Steel
  - 17-4 Stainless Steel

## PORTING

- **INLET/OUTLET OPTIONS**
  - 1/4", 3/8" FNPT
  - 1/4", 3/8" SAE J1926
  - 1/4", 3/8" SAE AS5202 (MS33649\*\*)
- **LOAD PORT:** 1/8" FNPT

\*\*SAE AS5202 supersedes MS33649

## OPTIONAL ITEMS

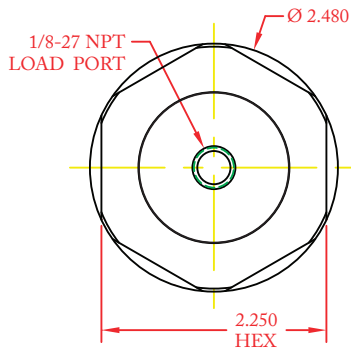
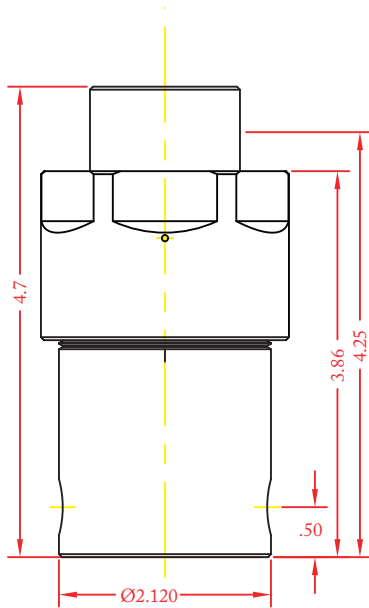
- Private label
- Load port orientation
- Bias spring (P/N: 30-10211)
- Cv 0.4 model (P/N: 30-10211F)

Kalrez® Vespel® & Viton® are registered trademarks of  
E.I. duPont de Nemours and Company

# 6100DL SERIES

Dome Loaded, Hydraulic, High Pressure  
Back Pressure Regulator

PART NUMBER: 30-10211D



# 6100DL SERIES

Dome Loaded, Hydraulic, High Pressure  
Back Pressure Regulator

SERIES	-	1	2	3	4	-	5	6	-	7
30-10211D	-					-			-	

1	BODY MATERIALS
1	SAE 360 Brass Body & Bonnet
2	316 Stainless Steel Body, 303 Stainless steel Bonnet
2	FLOW (Cv)
0	Cv 0.06
1	Cv 0.14
2	Cv 0.2
3	PORT SIZE
4	1/4"
6	3/8"
<i>DOMES PORT: 1/8-27 FNPT</i>	

4	PORT TYPE
1	FNPT
2	SAE J1926
3	SAE AS5202 ( <i>MS33649**</i> )
<i>**SAE AS5202 supersedes MS33649</i>	
5 6	O-RING MATERIAL
00	BUNA-N
02	VITON®
05	EPDM
11	KALREZ® <i>(Contact factory for pricing)</i>

7	VALVE SEAT
0	Vespel®
1	17-4 Stainless Steel

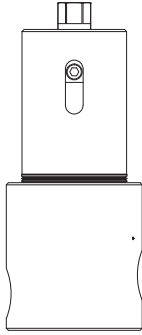
**6000 PSIG MAX INLET**  
*The end user is responsible to ensure adequate fittings are used to connect regulator to plumbing.*

*Kalrez® Vespel® & Viton® are registered trademarks of E.I.duPont de Nemours and Company*

*Contact factory for material certifications. Fees may apply.*

# 6116 SERIES

Hydraulic, High Pressure, High Flow  
Back Pressure Regulators



Premier 6116 Series regulators are hydraulic, high pressure, high flow, piston sensed, back pressure regulators rated for inlet pressures up to 10000 psig / 689.5 bar and (Cv) 1.0 or 2.0.

## FEATURES

- High flow capacity (Cv): 1.0 or 2.0
- Great sensitivity
- 1:1 dome load
- Optional gauge port
- Machined bar stock body eliminates porosity found in castings

**SOME APPLICATIONS WILL REQUIRE A CUSTOM SOLUTION.**  
CONTACT PREMIER INDUSTRIES TO REQUEST A MODIFICATION  
OR A CUSTOM DESIGN.



## SPECIFICATIONS

- **MAXIMUM INLET PRESSURE:**
  - 6000 PSIG / 413.7 bar  
(316 stainless steel body, standard)
  - 10000 PSIG / 689.48 bar  
(17-4 stainless steel body)
- **CONTROL PRESSURE RANGES:**
  - 5-500 PSIG (0.34-34.5 bar)
  - 5-800 PSIG (0.34-55.16 bar)
  - 10-1500 PSIG (0.7-103.4 bar)
  - 15-2500 PSIG (1.0-172.4 bar)
  - 25-4000 PSIG (1.7-275.8 bar)
  - 50-6000 PSIG (3.5-413.7 bar)
- **FLOW (Cv):** 1.0 or 2.0
- **OPERATING TEMPERATURE:\*\***
  - -15°F/-26°C to 212°F/100°C (BUNA-N)
  - -4°F/-20°C to 400°F/204°C (Viton®)
  - -65°F/-54°C to 302°F/150°C (EPDM)
  - 0°F/-18°C to 620°F/327°C (KALREZ® 7075)

\*\* Lower temperature compounds available

## MATERIALS OF CONSTRUCTION

- **BODY OPTIONS:**
  - 316 Stainless Steel (standard)
  - 17-4 Stainless Steel
- **MAIN VALVE STEM:** 17-4 Stainless Steel
- **MAIN VALVE SEAT:** 316 Stainless Steel
- **BACK-UP RINGS:** PTFE &/or PCTFE
- **O-RING MATERIAL OPTIONS:**
  - BUNA-N
  - Viton-A®
  - EPDM
  - Kalrez® 7075 (contact factory for pricing)
- **OTHER WETTED PARTS:**
  - 316 Stainless Steel
  - 17-4 Stainless Steel

SAE AS5202 supersedes MS33649

Viton-A®, Vespel®, and Kalrez® are registered trademarks of E.I. duPont de Nemours & Company.

Contact factory for material certifications. Fees may apply.

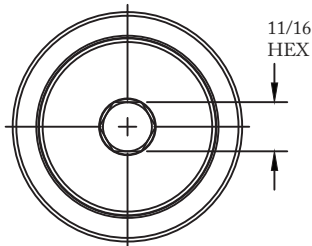
## PORTING

- **INLET & OUTLET OPTIONS:**
  - 1/2" FNPT, SAE J1926, SAE AS5202
  - 3/4" FNPT, SAE J1926, SAE AS5202
- **GAUGE PORTS:** 1/4" FNPT

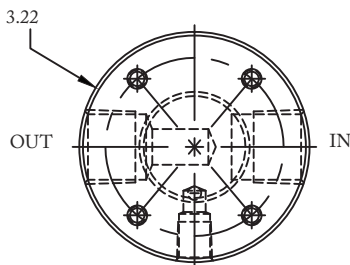
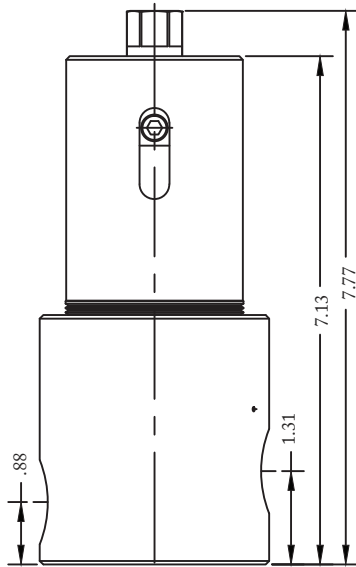
## OPTIONS

- Private label

**PART NUMBER: 30-10222**



PORT TYPE	ØA	FLATS
NPT	Ø3.23	—
1/2" SAE	Ø3.48	3.32
3/4" SAE	Ø3.98	3.72



*Optional Surface  
mounting holes:  
1/4-20 UNC X .5 DP  
bolt circle subject to body size*

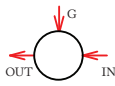
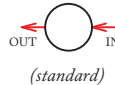
# 6116 SERIES

High Pressure, Hydraulic, High Flow  
Back Pressure Regulators

PART #	-	1	2	3	4	5	-	6 7	-	MODS
30-10222	-						-		-	

Standard: 316 Stainless Steel body & 17-4 Stainless Steel Bonnet, 6000 psig max inlet

See modifications for 10000 psig max inlet option

1	CONTROL PRESSURE
1	5-500 PSIG (0.34-34.5 bar)
2	5-800 PSIG (0.34-55.16 bar)
3	10-1500 PSIG (0.7-103.4 bar)
4	15-2500 PSIG (1.0-172.4 bar)
5	25-4000 PSIG (1.7-275.8 Bar)
6	50-6000 PSIG (3.5-413.7 Bar)
2	C <sub>v</sub> (FLOW)
1	C <sub>v</sub> 1.0
2	C <sub>v</sub> 2.0
3	PORT CONFIGURATIONS (from top)
H	
S	

4	PORT SIZE (Inlet/outlet)
8	1/2"
T	3/4"
<i>Gauge ports 1/4" FNPT</i>	
5	PORT TYPE (Inlet/outlet)
1	FNPT
2	SAE J1926
3	SAE AS5202*
<i>*SAE AS5202 supersedes MS33649</i>	
67	O-RING MATERIAL
00	BUNA-N
02	VITON®
05	EPDM
11	KALREZ® 7075

MODIFICATIONS	
Blank	None
SM	Surface mount
T	10K 17-4 stainless steel construction

6000 PSIG MAX INLET (316 stainless steel body)  
10000 PSIG MAX INLET (17-4 stainless steel body)  
The end user is responsible to ensure adequate fittings are used to connect regulator to plumbing

Kalrez® & Viton® are registered trademarks of E.I. duPont de Nemours and Company.

Contact factory for material certifications. Fees may apply

# 6123 SERIES

Hydraulic, High Pressure, 15000 PSIG  
Back Pressure Regulator



High pressure, hydraulic, Premier 6123 Series back pressure regulators are single stage, piston sensed, variable control pressure regulators, rated for inlet pressures up to 15000 PSIG (*1034.21 bar*) with a control pressure range of 300-15000 PSIG (*20.68 - 1034.21 bar*). For optimum compatibility with your desired application, we offer a choice of four seat materials: hardened 17-4 stainless steel, Vespel®, 316 stainless steel and PEEK®.

Premier 6123 Series regulators are used to regulate a broad range of non-corrosive and corrosive media (based on materials of construction) and can be used for both hydraulic and gas applications.

## FEATURES

- Rated for pressures up to 15000 PSIG (*1034.21 bar*)
- Flow (Cv): 0.03, 0.06 0.14, or 0.20
- Low torque ball bearing hand knob
- Durable hardened stainless steel seat option
- Very competitive pricing
- Machined bar stock body, bonnet and piston eliminates porosity found in castings
- Numerous optional features are available.

**SOME APPLICATIONS WILL REQUIRE A CUSTOM SOLUTION.**  
CONTACT PREMIER INDUSTRIES TO REQUEST A MODIFICATION  
OR A CUSTOM DESIGN.

## SPECIFICATIONS

- **MAXIMUM INLET PRESSURE:**
  - 15000 PSIG (1034.21 bar)
- **CONTROL PRESSURE RANGE:**
  - 300-15000 PSIG (20.68 - 1034.21 bar)
- **FLOW (Cv):** 0.03, 0.06, 0.14, or 0.20
- **OPERATING TEMPERATURE:**
  - -15°F/-26°C to 165°F/74°C (BUNA-N)
  - -4°F/-20°C to 165°F/74°C (VITON-A®)
  - -65°F/-54°C to 165°F/74°C (EPDM)
  - 15°F/-9°C to 165°F/74°C (AFLAS)
  - -65°F/-54°C to 165°F/74°C (NITRILE)

## MATERIALS OF CONSTRUCTION

- **BODY :**
  - 316 Stainless Steel,
- **BONNET:**
  - 17-4 Stainless Steel
- **WETTED PARTS, OTHER:**
  - 316 Stainless Steel
  - 17-4 Stainless Steel
  - PH15-7Mo Stainless Steel
- **O-RINGS:**
  - BUNA-N
  - AFLAS®
  - Viton-A®
  - EPDM
  - KALREZ® (Contact factory for pricing)
  - Nitrile, Lo-temp
- **BACK-UP RINGS:** PTFE or PCTFE
- **VALVE SEAT:**
  - Vespel®
  - PEEK®
  - 17-4 Stainless Steel, Hardened
  - 316 Stainless Steel

## PORTING

- **INLET/OUTLET PORTING OPTIONS:**
  - 1/4", 3/8" FNPT
  - 1/4", 3/8", 9/16" Medium pressure
  - 1/4", 3/8" High pressure

## OPTIONAL ITEMS

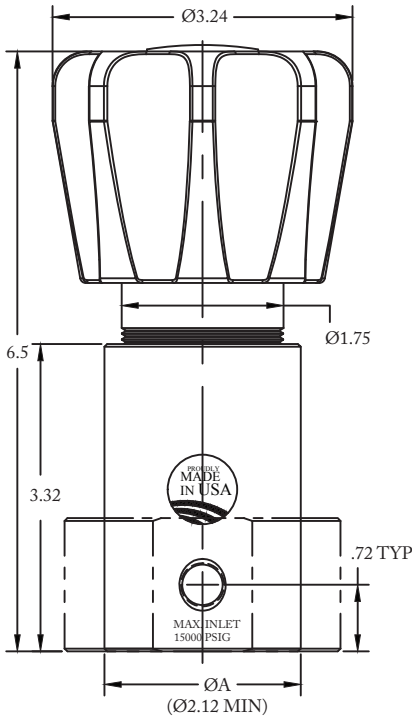
- Inlet gauge
- Private label
- Panel mounting bracket: P/N: 30-10059 (Ø2.15 panel hole)

Vespel® Kalrez® & Viton® are registered trademarks of  
E.I. duPont de Nemours and Company  
AFLAS® is a registered trademark of the Asahi Glass Co., Ltd.  
PEEK® is a registered trademark of Victrex PLC

# 6123 SERIES

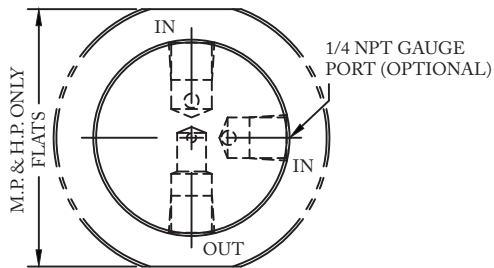
Hydraulic, High Pressure, 15000 PSIG  
Back Pressure Regulator

**PART NUMBER: 30-10223**



**BODY DIMENSIONS**

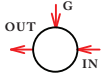

PORT TYPE	ØA	FLATS
1/4 & 3/8 NPT	Ø2.12	—
1/4" M.P. & H.P.	Ø2.12	1.98
3/8" M.P.	Ø2.48	2.36
3/8" H.P.	Ø2.98	2.78
9/16" M.P.	Ø2.98	2.78



# 6123 SERIES

Hydraulic, High Pressure, 15000 PSIG  
Back Pressure Regulator

PART #:	-	1	2	3	4	5	-	6 7	-	8
30-10223	-						-		-	

1	OUTLET PRESSURE
8	300-15000 PSIG 20.68-1034.21 Bar
2	PORTING CONFIGURATION
H	
S	
3	PORT SIZE
4	1/4"
6	3/8"
9	9/16" <i>(Only available in medium pressure)</i>

4	PORT TYPE <i>(1/4" FNPT gauge port)</i>
1	FNPT
4	Medium Pressure
5	High Pressure
5	VALVE SEAT
0	Vespel®
1	17-4 H900 Stainless Steel
2	316 Stainless Steel
3	PEEK®

6 7	O-RINGS
00	BUNA-N
01	AFLAS®
02	VITON®
05	EPDM
11	KALREZ® <i>(Contact factory for pricing)</i>
12	Nitrile, Low-temp
8	Cv (FLOW)
0	0.06
1	0.14
2	0.20
A	0.03

*Kalrez® Vespel® & Viton® are registered trademarks of E.I. du Pont de Nemours and Company*

*AFLAS® is a registered trademark of the Asahi Glass Co., Ltd.*

*PEEK® is a registered trademark of Victrex PLC*

**15000 PSIG MAX INLET**  
*The end user is responsible to ensure adequate fittings are used to connect regulator to plumbing.*

*Contact factory for material certifications. Fees may apply.*

# 6125 SERIES

Hydraulic, High Pressure, 20000 PSIG  
Back Pressure Regulator



Premier 6125 Series single stage, piston sensed, high pressure, hydraulic, back pressure regulators are rated for control pressures up to 20000 PSIG (*1378.95 bar*), and Cv 0.03, 0.06, 0.14, or 0.20.

## FEATURES

- Rated for pressures up to 20000 PSIG (*1378.95 bar*)
- Flow capacity (Cv): 0.03, 0.06, 0.14, or 0.20
- Fluted knob with ball-bearing loader
- Machined bar stock body, bonnet and piston eliminates porosity found in castings

**SOME APPLICATIONS WILL REQUIRE A CUSTOM SOLUTION.**  
CONTACT PREMIER INDUSTRIES TO REQUEST A MODIFICATION  
OR A CUSTOM DESIGN.



## SPECIFICATIONS

- **MAX INLET PRESSURE:**
  - 20000 PSIG (1378.95 bar)
- **CONTROL PRESSURE RANGE:**
  - 500-20000 PSIG (34.47 - 1378.95 bar)
- **FLOW (Cv):** 0.03, 0.06, 0.14, 0.20
- **OPERATING TEMPERATURE:**
  - -15°F/-26°C to 165°F/74°C (BUNA-N)
  - -4°F/-20°C to 165°F/74°C (VITON-A®)
  - -65°F/-54°C to 165°F/74°C (EPDM)

*\*\*lower temperature compounds available upon request*

## MATERIALS OF CONSTRUCTION

- **BODY:**
  - 316 Stainless Steel,
- **BONNET:**
  - 17-4 Stainless Steel
- **WETTED PARTS, OTHER:**
  - 316 Stainless Steel
  - 17-4 Stainless Steel
- **O-RINGS:**
  - BUNA-N
  - Aflas®
  - Viton-A®
  - EPDM
  - KALREZ®
- **BACK-UP RINGS:** PCTFE & PEEK®
- **VALVE SEAT:**
  - 316 Stainless Steel

*Kalrez® Vespel® & Viton® are registered trademarks of E.I. duPont de Nemours and Company  
AFLAS® is a registered trademark of the Asahi Glass Co., Ltd.  
PEEK® is a registered trademark of Victrex PLC*

## PORTING

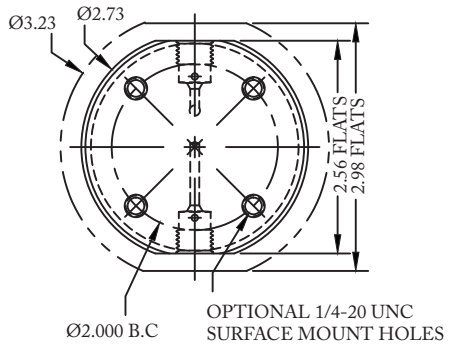
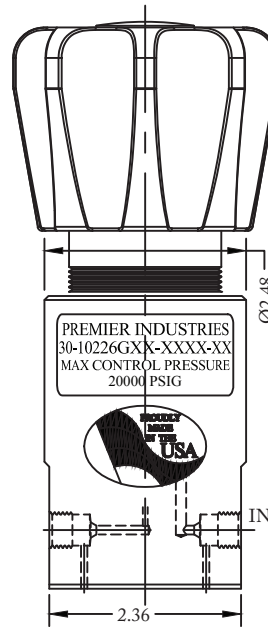
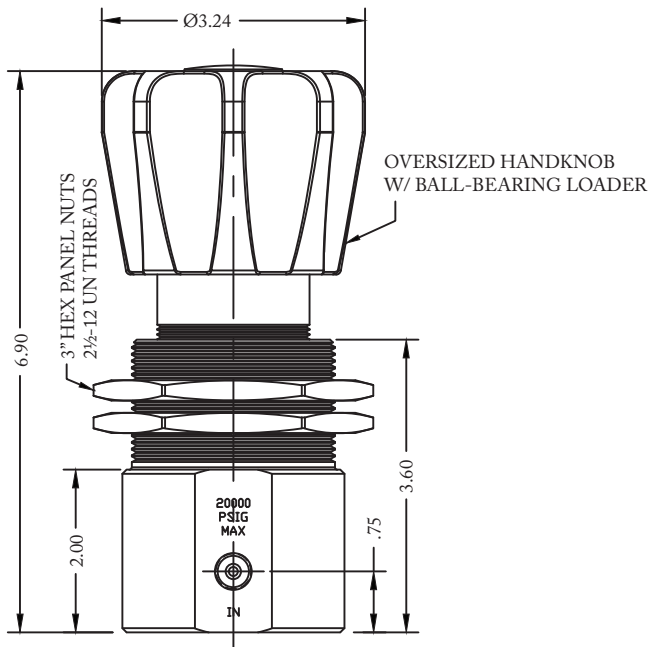
- **INLET/OUTLET/VENT PORTING:**
  - 1/4" Medium pressure, High Pressure\*
  - 3/8" Medium pressure, High Pressure
  - 9/16" Medium pressure, High Pressure

*\*Cv 0.20 not available with 1/4" high pressure ports*

## OPTIONAL ITEMS

- Surface mount
- Panel mounting nuts (P/N: 30-10145-02)

**PART NUMBER: 30-10226**



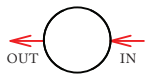
MOUNTING BRACKET BODY		
PORT TYPE	BODY Ø	FLATS
1/4" M.P. & H.P.	Ø2.48	2.36
3/8" M.P. & H.P.	Ø2.48	2.36
9/16" M.P.	Ø3.23	2.98

PANEL NUT BODY		
PORT TYPE	BODY Ø	FLATS
1/4" M.P. & H.P.	Ø2.73	2.56
3/8" M.P. & H.P.	Ø2.73	2.56
9/16" M.P.	Ø3.23	2.98

# 6125 SERIES

Hydraulic, High Pressure, 20000 PSIG  
Back Pressure Regulator

PART #	1	2	-	3	4	5	6	-	7	8	-	MODS
30-10226			-					-			-	

1 2	BODY STYLE
MB	Mounting bracket style body
PN	Panel nut style body <i>(panel nuts included)</i>
3	FLOW (Cv)
A	Cv: 0.03
0	Cv: 0.06
1	Cv: 0.14
2	Cv: 0.20*
<i>*0.20 Cv not available with 1/4" high pressure ports</i>	
4	PORTING CONFIGURATION
S	

5	PORT SIZE
4	1/4"
6	3/8"
9	9/16"
6	PORT TYPE <i>(IN/OUT/VENT)</i>
4	Medium pressure
5	High pressure*
<i>*0.20 Cv not available with 1/4" high pressure ports</i>	

7 8	O-RING MATERIAL
00	BUNA-N
01	AFLAS®
02	VITON®
05	EPDM
11	KALREZ® <i>(Contact factory for pricing)</i>
MODIFICATIONS	
Blank	None
SM	Surface mount

### 20000 PSIG MAX INLET

*The end user is responsible to ensure adequate fittings are used to connect regulator to plumbing.*

*Kalrez® & Viton® are registered trademarks of E.I. duPont de Nemours and Company  
AFLAS® is a registered trademark of the Asahi Glass Co., Ltd.*

*Contact factory for material certifications. Fees may apply.*

# P91W SERIES

Dome Loaded, Mity Mite Replacement  
Back Pressure Regulator



The dome loaded Premier P91W Series serves as a replacement for the Mity Mite 91W, and features a new and improved diaphragm seal. The P91W Series dome-loaded, back pressure regulator operates to maintain a constant upstream pressure by sensing the upstream pressure and limiting it through constant throttling. The dome must be charged (externally) from a gas pressure source; two NPT connections are available (1 for dome loading and the second for an optional gauge). The P91W Series features a control pressure range of 100-2000 PSIG (6.89 - 137.9 bar) / 100-3000 PSIG (6.89 - 206.84 bar) for stainless steel models, Gylon® 3522 diaphragm, Cv: 0.38 or 0.17 and can be used to control both gases and liquids as compatible with the materials of construction.

## FEATURES

- New and improved PTFE diaphragm seal
- External dome load
- Cv: 0.38 or 0.17
- Machined bar stock body, bonnet and piston eliminates porosity found in castings
- Optional precharge isolation valves available

**SOME APPLICATIONS WILL REQUIRE A CUSTOM SOLUTION.**  
CONTACT PREMIER INDUSTRIES TO REQUEST A MODIFICATION  
OR A CUSTOM DESIGN.

## SPECIFICATIONS

- **CONTROL PRESSURE RANGE:**
  - 100-2000 PSIG / 6.89 - 137.9 bar  
(aluminum body)
  - 100-3000 PSIG / 6.89 - 206.8 bar  
(stainless steel or hastelloy body options)
- **FLOW (Cv):** 0.38 or 0.17
- **AMBIENT OPERATING TEMPERATURE RANGE:**
  - -65°F/-54°C to 200°F/93°C (PTFE)

## MATERIALS OF CONSTRUCTION

- **BODY OPTIONS:**
  - 2024-T4 Aluminum
  - 316 Stainless Steel
  - Hastelloy
- **BONNET:** 2024-T4 Aluminum
- **DIAPHRAGM:** Gylon® 3522
- **O-RING, NON-WETTED:** Viton®

## PORTING

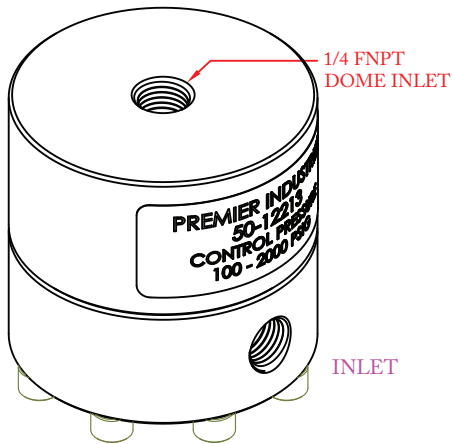
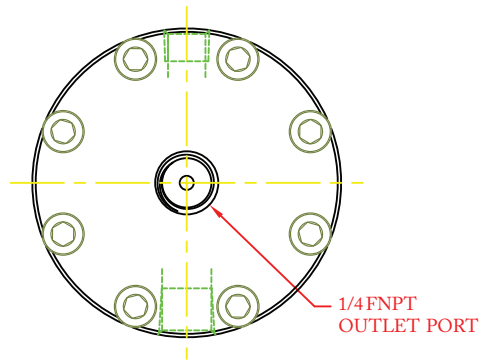
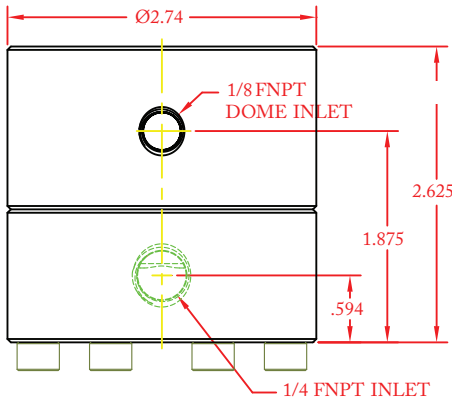
- **INLET PORTING:**
  - 1/4" FNPT
- **OUTLET PORTING:**
  - 1/4" FNPT
- **EXTERNAL DOME LOADING/  
GAUGE CONNECTIONS:**
  - 1/4" FNPT and 1/8" FNPT (interchangeable)

## OPTIONS

- Precharge isolation valves
- Gauges
- Private label

*Viton® is a registered trademark of E.I. duPont de Nemours and Company*  
*Gylon® is a registered trademark of Garlock, Inc.*

PART NUMBER: 50-12253



PART #	1	-	2
50-12253		-	

1	BODY MATERIAL (MAX. INLET PRESSURE)
Blank	2024-T4 Aluminum (100-2000 psig / 6.89 - 137.9 bar)
S	316 Stainless Steel (100-3000 psig / 6.89-206.8 bar)
H	Hastelloy (100-3000 psig / 6.89-206.8 bar)
2	Cv RATING
Blank	0.38
1	0.17

Contact factory for material certifications.  
Fees may apply.

DEMAND  
FLOW  
REGULATORS

**DEMAND FLOW  
REGULATORS**



## 4902 SERIES

### Single Stage, Vacuum Actuated Demand Flow Regulator



Premier's patented, efficient, and easy to use 4902 Series demand flow regulators (also referred to as "sample regulators" and "vacuum actuated regulators") supply gas as demanded by an analyzer and automatically shut off. The highly sensitive, patented, single stage design allows for reduced testing time, permitting the flow of gas at less than one inch water column. Furthermore, the high flow capacity of the Premier 4902 Series demand flow regulator enables multiple analyzers to be tested on a single docking station.

Premier 4902 Series regulators offer great flexibility, available in 6061-T6 aluminum, nickel plated brass, and stainless steel, with a variety of: porting options, wetted materials, o-ring seals, elastomers, gauges, and other additional options.

Premier demand flow regulators make calibration quick and easy by eliminating the need for sample bags, flow meters, or special operator training; they also save on expensive calibration gases by only transferring as much gas as demanded by the instrument. Commonly used with: gas analyzers, portable gas detectors, calibration gases, instruments that use pump drawn calibration gases.

## FEATURES

- Compact size (3" diameter x 2.0" high)
- The unique high flow capability of the Premier 4902 Series design allows multiple analyzers on a single docking station.
- Patented single stage design (*patent no.: 8,550,113 B1*)
- Reduced particle contamination with 40 Micron stainless steel inlet filter
- Integral Relief Valve
- Versions available with integral C10 connections
- Versions available with stainless steel bodies and wetted components.
- Very competitive pricing
- Models are available for both corrosive and non-corrosive service
- Machined bar stock bodies eliminate porosity found in castings

**SOME APPLICATIONS WILL REQUIRE A CUSTOM SOLUTION.**  
CONTACT PREMIER INDUSTRIES TO REQUEST A MODIFICATION  
OR A CUSTOM DESIGN.

# 4902 SERIES

Single Stage, Vacuum Actuated  
Demand Flow Regulator

## SPECIFICATIONS

- **Flow:** 3.0 LPM @ 3" H<sub>2</sub>O,
  - up to 8LPM with increased vacuum
- **Maximum inlet pressure :**
  - 3000 PSIG (206.84 bar)  
(with appropriate inlet connection)

## MATERIALS OF CONSTRUCTION

- **BODY:**
  - 6061-T6 Aluminum, Clear Anodize (Standard)
  - 303 Stainless Steel
  - Brass, Nickel Plated
- **BONNET:** Aluminum, Clear Anodize
- **VALVE SEAT:** Viton® or EPDM and Teflon®
- **O-RING SEALS:**
  - Viton® (Standard)
  - EPDM
  - numerous other compounds available
- **DIAPHRAGM:**
  - Buna-N (Standard)
  - Viton®
- **INLET GAUGE:**
  - Brass Socket / Stainless Steel Case (Standard)
  - Stainless Steel Socket / Stainless Steel Case

## PORTING

- **INTEGRATED INLET PORTING OPTIONS:**
  - C10 integrated 1/4 FNPT, (Standard)
  - 1/4 FNPT
  - 1/8 FNPT
- **OPTIONAL INLET ADAPTER CONNECTIONS:**
  - C-10 (5/8-18 UNF)
  - CGA 180
  - CGA 350
  - CGA 330/660
  - CGA 580/590
  - CGA 600
- **INTEGRATED OUTLET PORTING OPTIONS:**
  - 1/8" FNPT (Standard)
- **OPTIONAL OUTLET ADAPTER CONNECTIONS:**
  - 3/16" hose barb (Standard)
  - 1/8" hose barb
  - 1/4" hose barb

## OPTIONS

- CGA Connections
- Optional hose barbs available in outlet
- Private Label

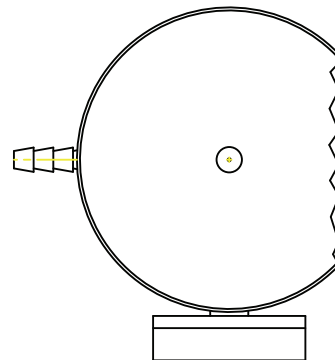
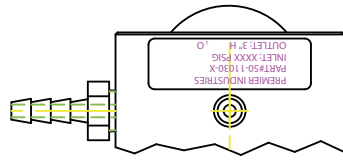
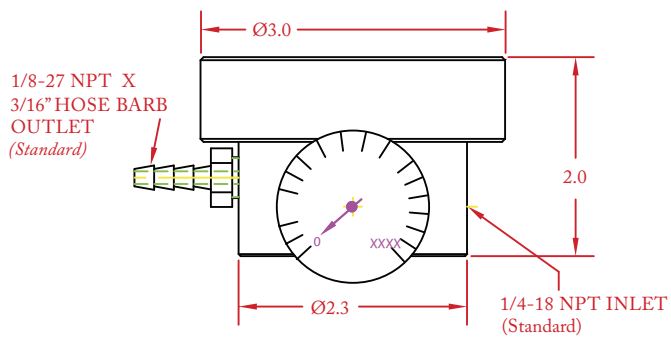
## ORDERING

- **Standard:** part number: 50-11030
- **Non-standard:** part number assigned per requirements

*Viton® and Teflon® are registered trademarks of E.I. duPont de Nemours and Company*

*Contact factory for material certifications. Fees may apply.*

PART NUMBER 50-11030



## 4903 SERIES

Compact, Single Stage, Vacuum Actuated  
Demand Flow Regulator



Patented Premier 4903 demand flow regulators save you time & money on calibrations by transferring the precise amount of gas required by a pump drawn instrument. As long as the pump is active, the regulator will remain “open” and gas will flow. When the pump stops, the regulator will turn off. The result? Less wasted gas, and lower calibration costs. These new vacuum actuated regulators are built with patented technology, eliminating the need for shut off valves, sample bags, or specially trained operators, making your calibrations quick & easy.

The compact and economical Premier 4903 regulator is available with a variety of body, diaphragm, and sealing materials to suit a variety of calibration gas requirements. Premier 4903 Series regulators permit reduced testing time, with their ability to begin flow of gas at <3” H<sub>2</sub>O vacuum.

Commonly used with: portable gas detectors, gas analyzers, calibration gases, and pump drawn instruments.

### FEATURES

- Compact size (2” diameter x 1.7” high)
- Patented single stage design  
(*patent no.: 8,550,113 B1*)
- Stainless steel body option with stainless wetted components provides minimum degradation to cylinder gases.
- Available for both corrosive and non-corrosive service
- Machined bar stock bodies eliminate porosity found in castings
- Reduced particle contamination with 40 Micron stainless steel inlet filter
- Very competitive pricing

**SOME APPLICATIONS WILL REQUIRE A CUSTOM SOLUTION.**  
CONTACT PREMIER INDUSTRIES TO REQUEST A MODIFICATION  
OR A CUSTOM DESIGN.

# 4903 SERIES

Compact, Single Stage, Vacuum Actuated  
Demand Flow Regulator

## SPECIFICATIONS

- **DEMAND PRESSURE:** < 3" H<sub>2</sub>O
- **MAX INLET :** 3000 PSIG  
*(with appropriate inlet connection)*
- **WEIGHT:**
  - 1.2 lbs  
*(Stainless Steel Body, Gauge, C10 connection  
& hose barb)*
  - 0.6 lbs  
*(Aluminum Body, Gauge, C10 connection  
& hose barb)*

## MATERIALS OF CONSTRUCTION

- **BODY OPTIONS:**
  - 303 Stainless Steel
  - 6061-T6 Aluminum, Clear Anodize
  - SAE 360 Brass, Nickel Plated
- **BONNET:**
  - 6061-T6 Aluminum, Clear Anodize
- **VALVE SEAT :**
  - PTFE *(Standard)*
- **O-RING SEAL OPTIONS:**
  - Viton® *(Standard)*
  - EPDM
  - numerous other compounds available
- **DIAPHRAGM OPTIONS:**
  - Buna-N *(Standard)*
  - Viton®
- **INLET GAUGE OPTIONS:**
  - Brass Socket / Stainless Steel Case *(Standard)*
  - Stainless Steel Socket / Stainless Steel Case

## PORTING

- **INTEGRATED INLET PORTING OPTIONS:**
  - 1/4 FNPT *(Standard)*
  - 1/8 FNPT
- **OPTIONAL INLET ADAPTER CONNECTIONS:**
  - C-10 (5/8-18 UNF) *(Standard)*
  - CGA 180
  - CGA 350
  - CGA 330/660
  - CGA 580/590
  - CGA 600
- **OUTLET PORTING OPTIONS:**
  - 3/16" hose barb *(Standard)*
  - 1/4" hose barb
  - 1/8" hose barb
  - 1/4" FNPT
  - 1/8" FNPT

## OPTIONAL ITEMS

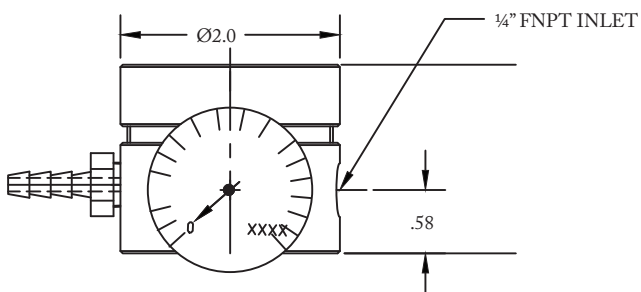
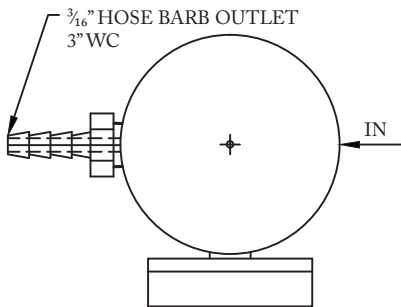
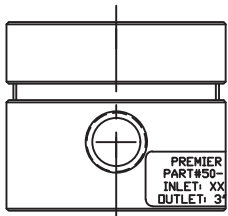
- CGA Connections
- Porting configuration
- Private label

## ORDERING

- **STANDARD:** part number: 50-12186
- **NON-STANDARD:** P/N assigned per requirements

*Viton® is a registered trademark of E.I. duPont de Nemours  
and Company*

PART NUMBER 50-12186-X



# VALVES

VALVES

# SHUT OFF VALVES

Stainless Steel, Soft Seat



The Premier stainless steel shut-off valve is part of a family of manual, high pressure, shut off valves. This valve features a stainless steel body, soft seat, 17-4 stainless steel valve stem, and a flow Cv of 0.25. Optional integrated burst disks, and relief valves are available.

Stainless shut-off valves may be used in a wide variety of applications as compatible with their materials of construction.

## FEATURES

- Compact Size
- PCTFE or PEEK® seat
- Maximum inlet pressure of 3000 PSI (206.84 bar)
- Cv of 0.25
- 316 stainless steel body and valve nut
- Optional pressure relief devices
- Optional dip tube
- Economical pricing
- Machined bar stock bodies eliminate porosity found in castings

**SOME APPLICATIONS WILL REQUIRE A CUSTOM SOLUTION.**  
CONTACT PREMIER INDUSTRIES TO REQUEST A MODIFICATION  
OR A CUSTOM DESIGN.



## SPECIFICATIONS

- **MAX INLET PRESSURE :**
  - 3000 PSIG (206.84 bar)
- **WEIGHT:** 0.4-0.5 lbs
- **LEAK RATE:** Bubble Tight
- **FLOW (Cv):** 0.25

## MATERIALS OF CONSTRUCTION

- **BODY & VALVE NUT:**
  - 316 Stainless Steel
- **VALVE STEM:** 17-4 Stainless Steel
- **SEAT:** PCTFE, PEEK®
- **O-RINGS:** Viton®, EPDM, Low-temp Nitrile
- **BACK-UP RING:** PTFE
- **BORE SIZE:** Ø 1/8"
- **OPTIONAL DIP TUBE:** 316 Stainless steel
- **HAND KNOB:** 6061-T6 Aluminum/  
black anodized

## PORTING

- **INLET:**
  - 1/4-18 MNPT
- **OUTLET:**
  - 1/4-18 MNPT

## OPTIONS

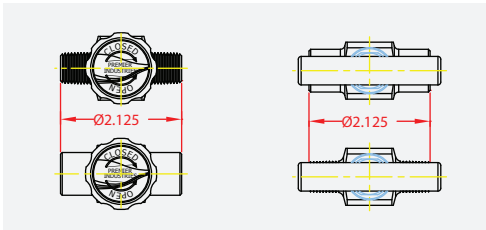
- Dip tube, 1/16-27 FNPT (order separately)
- SilcoNert 2000® coating of wetted materials
- Relief Valve (600 PSIG or 1800 PSIG / 41.37 bar or 124.11 bar)
- Burst Disk (1700 PSIG / 117.2 bar)
- Pressure marking/labeling

*Viton® is a registered trademark of E.I. duPont de Nemours and Company  
SilcoNert® is a registered trademark of SilcoTek  
PEEK® is a registered trademark of Victrex PLC*

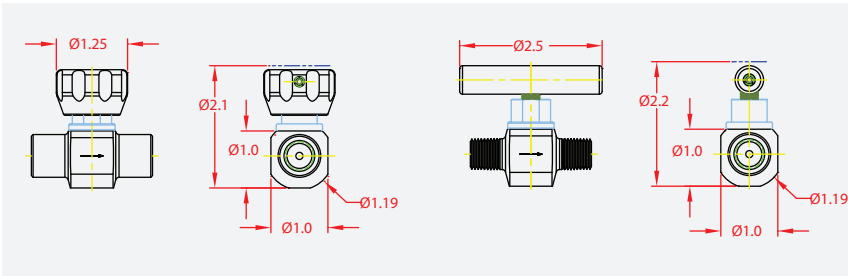
*Contact factory for material certifications.  
Fees may apply.*

**KNOB**

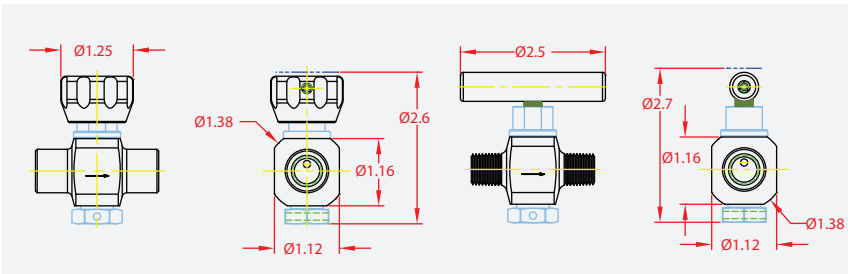
**T-HANDLE**



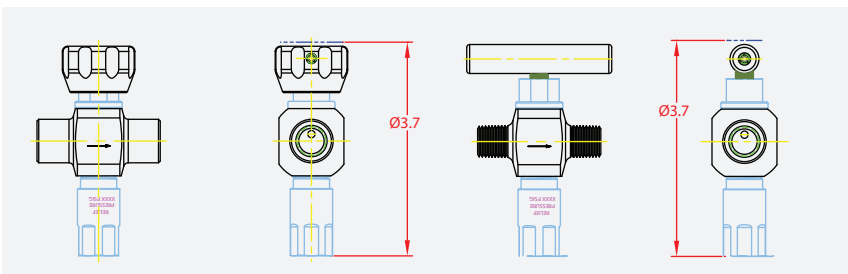
**WITHOUT PRESSURE RELIEF DEVICE: P/N 70-00158**



**WITH BURST DISK: P/N 70-00157**



**WITH RELIEF VALVE: P/N 70-00157**

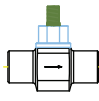

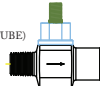
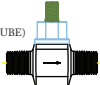




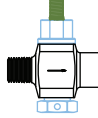
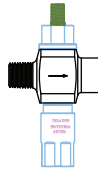
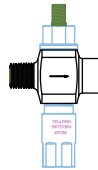
# SHUT OFF VALVES

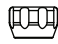
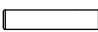
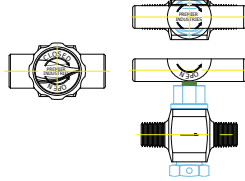
Stainless Steel, Soft Seat

SERIES	1	2	-	3	4	-	5	6	7	8
70-00157			-			-				



## VALVE W/ PRESSURE RELIEF DEVICE

1 2	BODY TYPE
FF	1/4" FNPT inlet 1/4" FNPT outlet  
MF	1/4" MNPT inlet 1/4" FNPT outlet  <small>1/16-27 FNPT (FOR DIP-TUBE)</small>
MM	1/4" MNPT inlet 1/4" MNPT outlet  <small>1/16-27 FNPT (FOR DIP-TUBE)</small>
3	O-RING MATERIAL 
E	EPDM
V	Viton®
N	Nitrile, lo-temp
4	SEAT MATERIAL 
1	PCTFE
2	PEEK®

5	PRESSURE RELIEF DEVICE
1	1700 psig burst disc 
2	600 psig relief valve 
3	1800 psig relief valve 
6	COATING
0	No coating
1	Silconert 200 (sulfinert®)

7	HANDLE STYLE
1	Knob 
2	T-handle 
8	LABEL/ PRESSURE MARKING
1	Premier knob label 

### NOTE:

-  DIP TUBES ARE NOT COMPATIBLE WITH 'FF' STYLE VALVES.
-  SEE MATERIAL TEMPERATURE RATINGS TABLE. BE SURE TO CONSIDER ALL VALVE MATERIALS

### MATERIAL TEMPERATURE RATINGS:

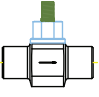

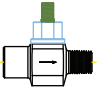

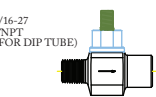



PCTFE	-40 (-40) / 160 (71)	°F (°C)
PEEK®	-40 (-40) / 300 (148)	°F (°C)
EPDM	-30 (-34) / 250 (121)	°F (°C)
VITON®	-15 (-26) / 300 (148)	°F (°C)
LOW-TEMP NITRILE	-60 (-51) / 160 (71)	°F (°C)

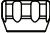
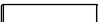
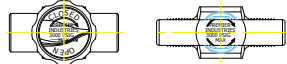
Viton® is a registered trademark of E.I. du Pont de Nemours and Company  
 SilcoNert® is a registered trademark of SilcoTek  
 PEEK® is a registered trademark of Victrex PLC

Contact factory for material certifications.  
 Fees may apply.

SERIES	1	2	-	3	4	-	5	6	7
70-00158			-			-			

## VALVE WITHOUT PRESSURE RELIEF DEVICE

1 2	BODYTYPE
FF	1/4" FNPT inlet 1/4" FNPT outlet  
FM	1/4" FNPT inlet 1/4" MNPT outlet  
MF	1/4" MNPT inlet 1/4" FNPT outlet 
MM	1/4" MNPT inlet 1/4" MNPT outlet 
3	O-RING MATERIAL
E	EPDM 
V	Viton®
N	Nitrile, lo-temp
4	SEAT MATERIAL
1	PCTFE 
2	PEEK®

5	COATING
0	No coating
1	Silconert 200 (sulfinert®)
6	HANDLE STYLE
1	Knob 
2	T-handle 
7	LABEL/ PRESSURE MARKING
2	Premier knob label with 3000 psig pressure marking 



### MATERIAL TEMPERATURE RATINGS:

PCTFE	-40 (-40) / 160 (71) °F (°C)
PEEK®	-40 (-40) / 300 (148) °F (°C)
EPDM	-30 (-34) / 250 (121) °F (°C)
VITON®	-15 (-26) / 300 (148) °F (°C)
LOW-TEMP NITRILE	-60 (-51) / 160 (71) °F (°C)

Viton® is a registered trademark of E.I. duPont de Nemours and Company  
SilcoNert® is a registered trademark of SilcoTek  
PEEK® is a registered trademark of Victrex PLC

Contact factory for material certifications. Fees may apply.

### NOTE:

-  DIP TUBES ARE NOT COMPATIBLE WITH 'FF' OR 'FM' STYLE VALVES.
-  SEE MATERIAL TEMPERATURE RATINGS TABLE. BE SURE TO CONSIDER ALL VALVE MATERIALS

# SHUT OFF VALVES

Miniature, Metal Seat



The Premier miniature shut-off valve, is part of a family of manual, high pressure, shut off valves. This valve features a metal seat, 303 stainless steel valve stem, Cv of 0.25, compact size, and reliability at an economical cost.

Premier miniature shut-off valves may be used in a wide variety of applications as compatible with the materials of construction.

## FEATURES

- Compact Size
- Metal to metal seal
- Maximum inlet pressure of 3000 PSIG  
(206.84 bar)
- Cv of 0.25
- Economical pricing
- Machined bar stock brass bodies  
eliminate porosity found in castings

**SOME APPLICATIONS WILL REQUIRE A CUSTOM SOLUTION.**  
CONTACT PREMIER INDUSTRIES TO REQUEST A MODIFICATION  
OR A CUSTOM DESIGN.

## SPECIFICATIONS

- **MAXIMUM INLET PRESSURE :**
  - 3000 PSIG (206.84 bar)
- **WEIGHT:** 0.3 lbs
- **LEAK RATE:** Bubble tight
- **FLOW (C<sub>v</sub>):** 0.25

## MATERIALS OF CONSTRUCTION

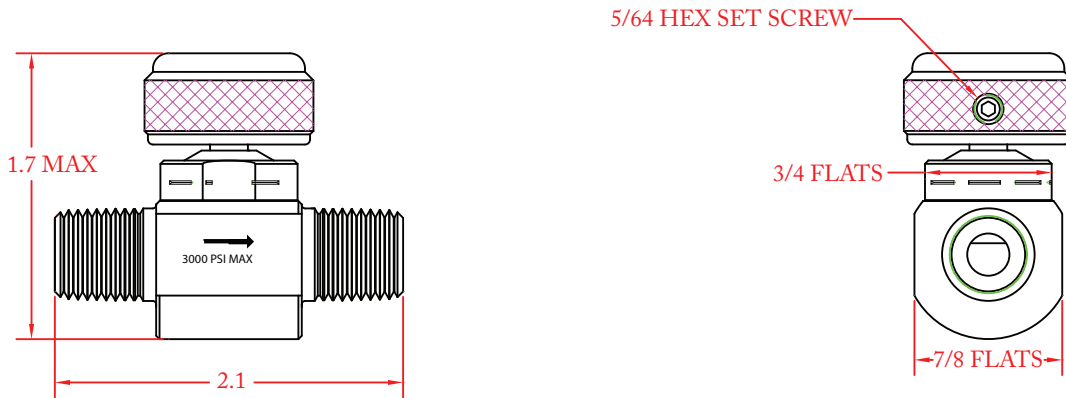
- **BODY OPTIONS:**
  - SAE 360 Brass
  - 6061-T6 Aluminum, clear anodize
- **VALVE STEM:** 303 Stainless Steel
- **SEALS:** BUNA-N
- **HAND KNOB:** 6061-T6 Aluminum, black anodize

## PORTING

- **INLET:**
  - 1/4-18 MNPT
- **OUTLET:**
  - 1/4-18 MNPT

*Contact factory for material certifications.  
Fees may apply.*

PART NUMBER: 70-00223



# FLOW SITE TUBE

## Shut Off Valves



The Premier flow sight tube valves are made in the USA, complete with a needle style, flow control/shut off valve.

These valves are available with C10, CGA 600, and 1/8" FNPT inlet connections and are designed to function with a wide range of Premier transportable regulators. They can be used with a wide range of gases that are compatible with the materials of construction.

## FEATURES

- 360 Brass Body
- Acrylic flow indicator
- 600 PSIG (41.37 bar) max inlet pressure
- Economical pricing

**SOME APPLICATIONS WILL REQUIRE A CUSTOM SOLUTION.**  
CONTACT PREMIER INDUSTRIES TO REQUEST A MODIFICATION  
OR A CUSTOM DESIGN.



### SPECIFICATIONS

- **MAXIMUM INLET PRESSURE :**
  - 600 PSIG (41.37 bar)

### MATERIALS OF CONSTRUCTION

- **BODY:**
  - SAE 360 Brass
- **FLOW INDICATOR:** Clear Acrylic
- **SEAL:** Viton®

### PORTING

- **OUTLET:**
  - 1/8" Hose Barb
- **INLET:**
  - CGA 600 (P/N: 50-10788)
  - C10 (P/N: 50-10807)
  - 1/8" FNPT (P/N: 50-10739)

### OPTIONS

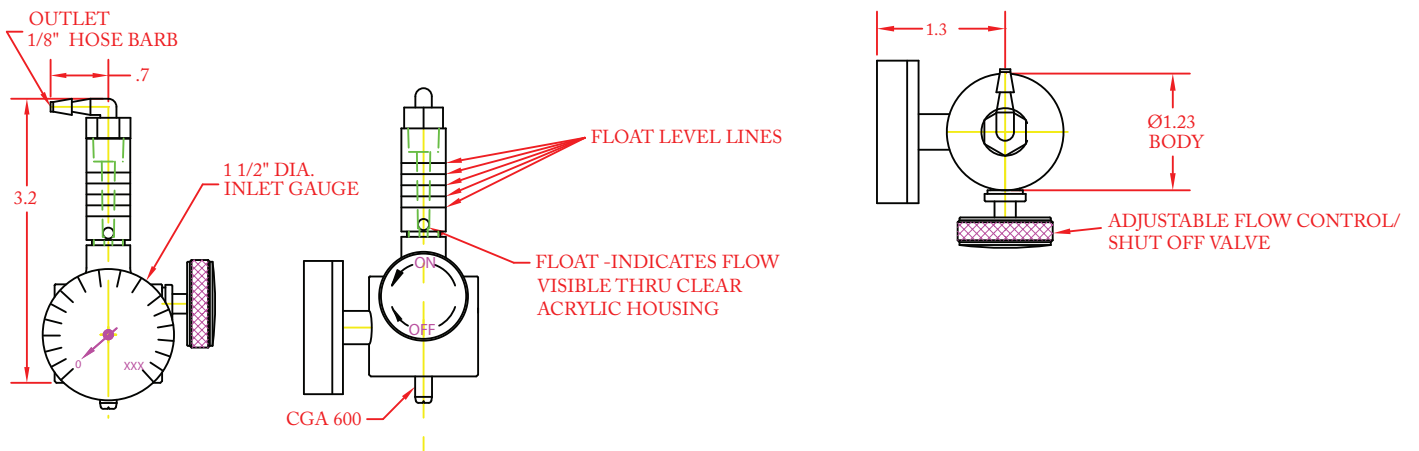
- Inlet Porting
- Inlet Pressure

*Viton® is a registered trademark of  
E.I. duPont de Nemours and Company*

*Contact factory for material certifications.  
Fees may apply.*

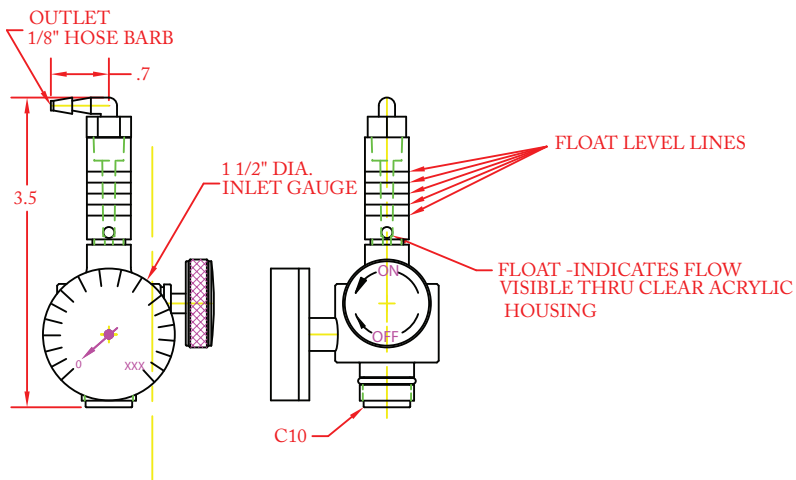
**PART NUMBER: 50-10788**

*CGA 600 INLET*



**PART NUMBER: 50-10807**

*C10 INLET*





*Miniature  
EFPV  
P/N: 70-00186*



*High Pressure  
EFPV\_HP  
P/N: 70-00194*



*High Sensitivity  
EFPV\_HS  
P/N: 70-00233*



*High Pressure, High Flow  
EFPV\_HPHF  
P/N: 70-00439*

Premier Excess Flow Prevention Valves are unique factory adjustable gas valves designed to automatically shut off the flow of gas when flow exceeds a preset level. These valves are designed to protect systems and/or people in the event of a line failure down the stream from a valve.

Premier excess flow valves are available in four unique designs. The miniature EFPV operates on systems between 30 and 200 PSIG (2.07 and 13.79 bar), offering a wide range of factory adjustable trip points. The high pressure EFPV\_HP includes all the features of the EFPV with an extended operating range (100 to 3000 PSIG / 6.89 - 206.84 bar). The high sensitivity EFPV\_HS valve is ten times more sensitive than the aforementioned models, offering an extended low range system pressure down to 5 PSIG (0.34 bar) and the lowest settable trip-point of the three valves. The high pressure high flow EFPV\_HPHF is rated for inlet pressures up to 6000 psig, and Cv 0.3. Flow rates can be preset at the factory location to meet customer specifications. The EFPV\_HPHF offers an adjustable trip point for optimum control and flexibility.

After a valve has tripped it can be reset with a convenient integrated reset valve / slider that will allow users to quickly get their systems back up and running (after repairing the leak which caused the valve to trip). Premier Excess Flow Valves are remarkably flexible with a variety of available construction materials, multiple porting configurations, a wide range of operating pressures and factory adjustable trip points.

## FEATURES

- Factory adjustable flow trip point
- Convenient integrated bypass valve/reset slider
- Inlet pressures up to 6000 PSIG (413.69 bar) (EFPV\_HPHF)
- Complete shut off when tripped (no bleed)
- High Sensitivity model can trip with a pressure differential under 5 PSIG (0.34 bar) (EFPV\_HS)
- Compact size (EFPV)
- Very competitive pricing
- Models are available for both corrosive and non-corrosive service
- Machined bar stock bodies eliminate porosity found in castings

**SOME APPLICATIONS WILL REQUIRE A CUSTOM SOLUTION.**  
CONTACT PREMIER INDUSTRIES TO REQUEST A MODIFICATION  
OR A CUSTOM DESIGN.

# MINIATURE

## EFPV

Excess Flow Prevention Valves

### SPECIFICATIONS

- **OPERATING RANGE:**
  - 30 - 200 PSIG (2.07-13.79 bar)
- **LEAK RATE:** Bubble tight with nitrogen gas
- **FLOW TRIP POINT:**
  - adjustable at factory location to meet customer specifications (see chart for capabilities)
- **WEIGHT:** approx. .15 lbs

### MATERIALS OF CONSTRUCTION

- **WETTED COMPONENTS\*\*:**
  - 6061-T6 Aluminum/ Clear Anodized
  - 303 Stainless Steel
  - SAE 360 BRASS
- **SEALS:**
  - Viton®

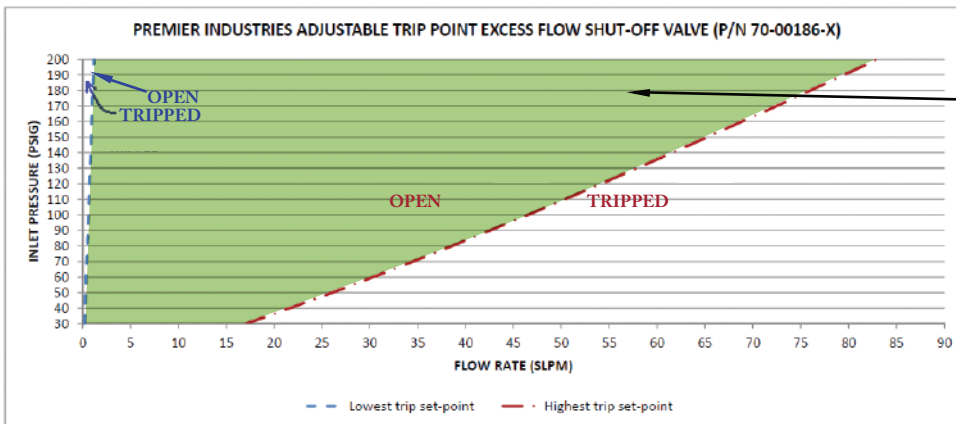
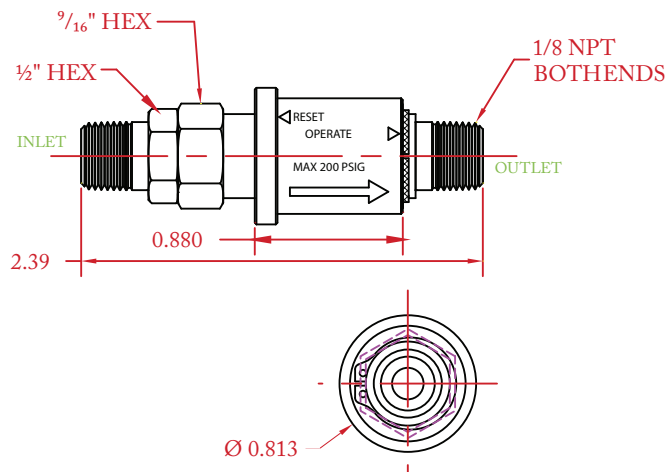
### PORTING

- **INLET CONNECTION:**
  - 1/8-27 NPT
- **OUTLET CONNECTION:**
  - 1/8-27 NPT

### OPTIONS

- Anodized Colors for Aluminum Bodies
- Private Label

**PART NUMBER: 70-00186**



The trip point can be set anywhere within the shaded green area.

Viton® is a registered trademark of E.I. duPont de Nemours and Company  
\*\*Stainless steel components also used in aluminum & brass options

Contact factory for material certifications. Fees may apply.

Flow rates indicated reflect valve capabilities using nitrogen gas.

## SPECIFICATIONS

- **MAXIMUM INLET PRESSURE:**
  - 75 - 3000 PSIG (5.17 - 206.84 bar)
- **LEAK RATE:** Bubble tight with nitrogen gas
- **FLOW TRIP POINT :**
  - Adjustable at factory location to meet customer specifications (see chart for capabilities)
- **WEIGHT:** approximately .75 lbs

## MATERIALS OF CONSTRUCTION

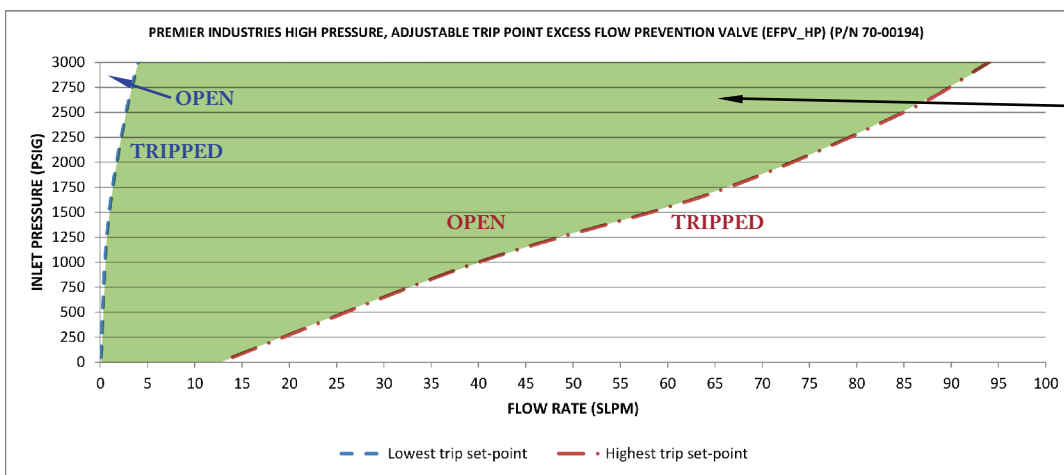
- **BODY/ADAPTOR MATERIAL OPTIONS:**
  - 6061-T6 Aluminum, clear anodized
  - 303 Stainless Steel
- **PISTON:** 303 Stainless Steel
- **NEEDLE VALVE:** 18-8 Stainless Steel
- **BYPASS STEM AND NUT:** 303 stainless steel
- **BYPASS VALVE KNOB:**
  - 6061-T6 Aluminum/black anodized
- **SPRING:** 300 series stainless steel
- **SEAL MATERIAL OPTIONS:**
  - BUNA-N
  - Viton-A®
  - Neoprene
  - EPDM
- **BACK-UP RINGS:**
  - PTFE

## PORTING

- **INLET CONNECTION OPTIONS:**
  - 1/4-18 FNPT
  - 1/4-18 MNPT
- **OUTLET CONNECTION OPTIONS:**
  - 1/4-18 FNPT
  - 1/4-18 MNPT

## OPTIONS

- Anodized Colors for Aluminum Bodies & Bonnets
- Private Label



The trip point can be set anywhere within the shaded green area.

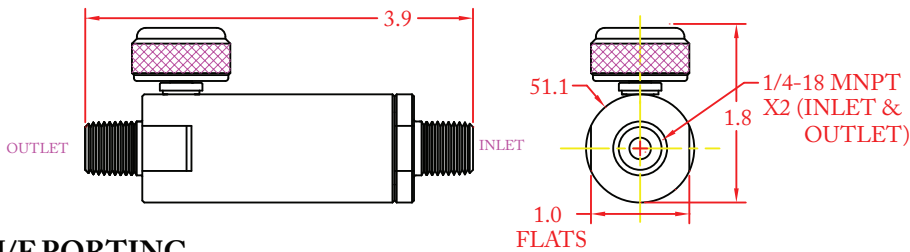
Viton-A® is a registered trademark of E.I. duPont de Nemours and Company  
 \*\*Stainless steel components also used in aluminum option

Contact factory for material certifications. Fees may apply.

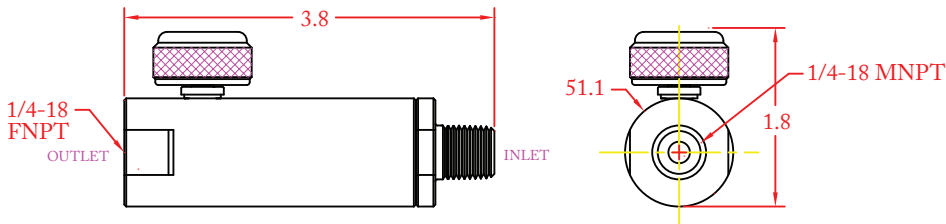
Flow rates indicated reflect valve capabilities using nitrogen gas.

**PART NUMBER: 70-00194**

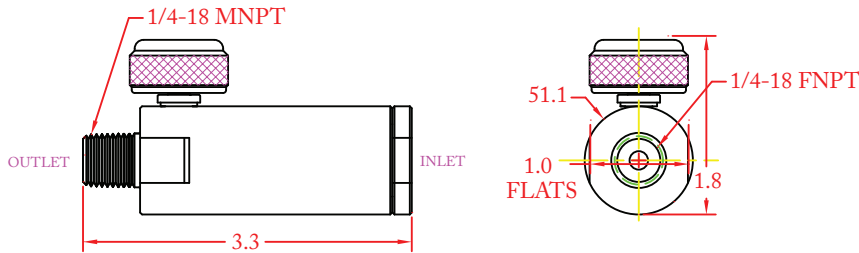
**M/M PORTING**



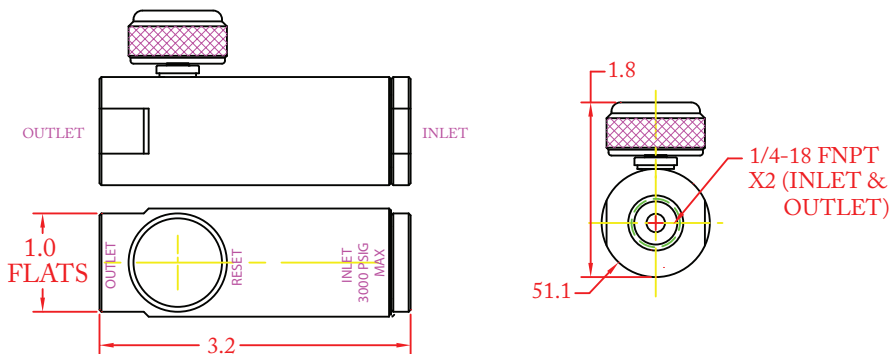
**M/F PORTING**



**F/M PORTING**



**F/F PORTING**



PART #	-	1	2	3	4	5
70-00194	-					

1	BODY MATERIAL & FINISH
1	6061-T6 Aluminum, <i>Clear Anodized</i>
2	303 Stainless Steel
2	SEAL MATERIAL
1	Buna-N
2	Viton-A®
3	Neoprene
4	EPDM

3	INLET CONNECTION
1	1/4-18 FNPT
2	1/4-18 MNPT
4	OUTLET CONNECTION
1	1/4-18 FNPT
2	1/4-18 MNPT
5	FLOW SETTING
X	Consult factory

*Viton-A® is a registered trademarks of  
E.I. duPont de Nemours and Company.*

*Contact factory for material certifications.  
Fees may apply.*

## SPECIFICATIONS

- **OPERATING RANGE:**
  - 5 - 200 PSIG (0.34 - 13.79 bar)
- **LEAK RATE:** Bubble tight with nitrogen gas
- **FLOW TRIP POINT:**
  - adjustable at factory location to meet customer specifications

## MATERIALS OF CONSTRUCTION

- **WETTED MATERIALS\*\*:**
  - 6061-T6 Aluminum / Clear Anodized
  - 303 Stainless Steel
- \* *Stainless steel components also used in aluminum option*
- **SEAL MATERIAL:**
  - Viton-A® (standard)
  - EPDM

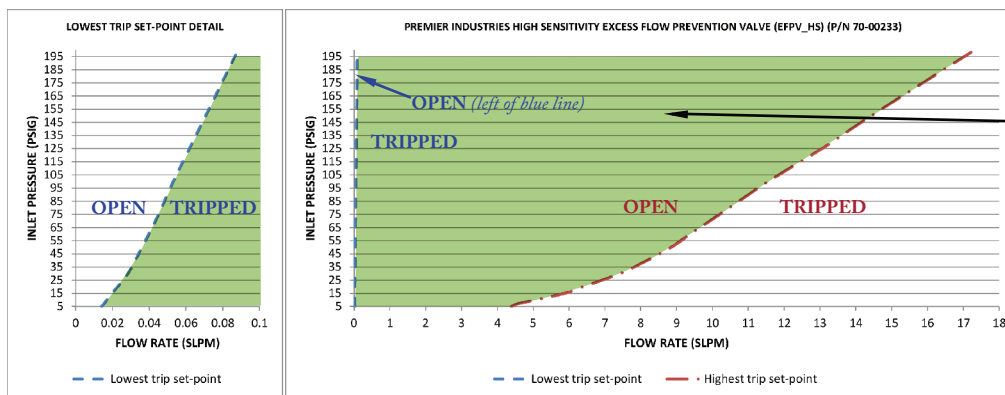
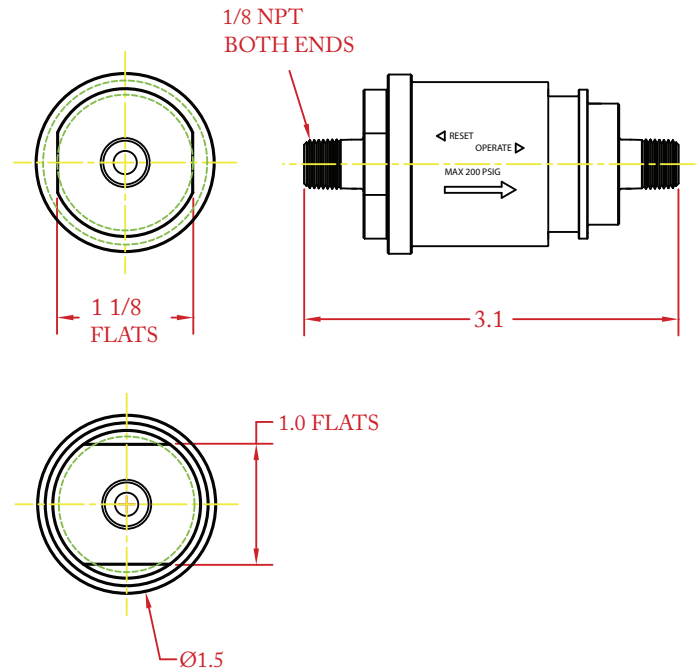
## PORTING

- **INLET CONNECTION:**
  - 1/8-27 NPT
- **OUTLET CONNECTION:**
  - 1/8-27 NPT

## OPTIONS

- Anodized Colors for Aluminum Bodies
- Private Label

**PART NUMBER: 70-00233**



*The trip point can be set anywhere within the shaded green area.*

*Viton® is a registered trademark of E.I. duPont de Nemours and Company*

*Contact factory for material certifications. Fees may apply.*

*Flow rates indicated reflect valve capabilities using nitrogen gas.*



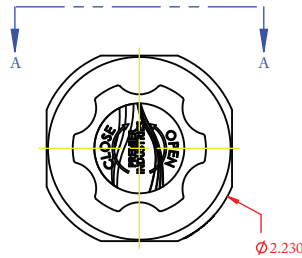
## EFPV\_HPHF

Excess Flow Prevention Valves

### SPECIFICATIONS

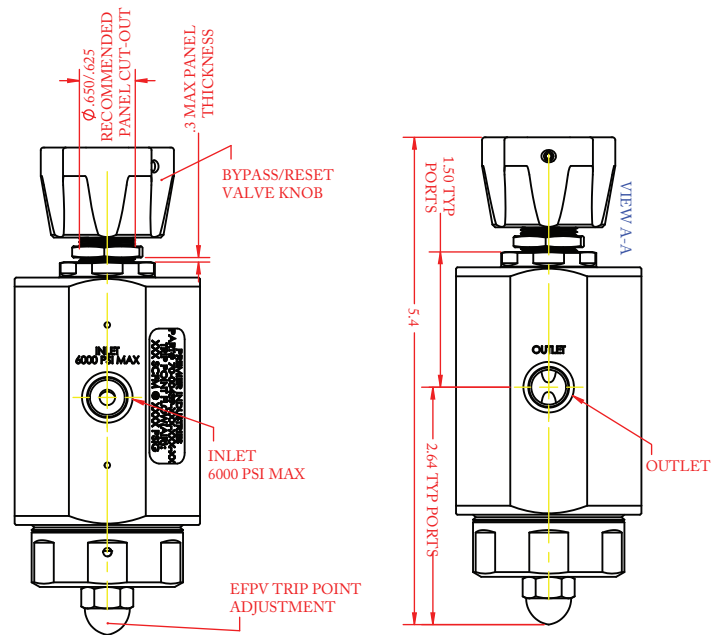
- **MAX INLET PRESSURE:**
  - 6000 PSIG (413.69 bar)
- **Cv:** 0.3
- **FLOW TRIP POINT:**  
*Designed for trip points up to 225 SCFM  
 (based on 6000 psi GN2 supply)*
  - adjustable at factory location to meet customer specifications. See pg 8.

**PART NUMBER: 70-00439**



### MATERIALS OF CONSTRUCTION

- **BODY / BACK CAP:**
  - 6061-T6 Aluminum / Clear Anodize
  - 316 Stainless Steel
- **SEATS/STEM SEAL:**
  - PEEK® 1000
- **SEAL MATERIAL:**
  - Nitrile
  - Viton-A® (standard)
  - EPDM
  - Polyurethane
- **OTHER WETTED COMPONENTS:**
  - 316 Stainless Steel, 17-4 H1150 Stainless Steel, Nitronic 60
- **BACKUP RINGS:**
  - PTFE
- **STEM RETAINER:**
  - Nitronic 60
- **KNOB:**
  - 6061-T6 Aluminum / Black Anodize
- **PANEL NUT:**
  - 303 Stainless Steel
- **OTHER NON WETTED:**
  - Stainless Steel



### PORTING


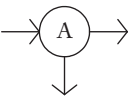
- **INLET/OUTLET CONNECTION:**
  - SAE AS5202, size -4 (1/4 tube), 2 port "S" configuration
  - SAE AS5202, size -4 (1/4 tube), 3 port "A" configuration

### OPTIONS

- Private Label

PART #	-	1	2	3	4	5
70-00439	-					

1	BODY / CAP MATERIAL & FINISH
1	316 Stainless Steel
2	6061-T6 Aluminum, Clear Anodize
2	SEAL MATERIAL
1	Nitrile
2	Viton-A®
3	EPDM
4	Polyurethane

3	PORTING
1	SAE AS5202, size -4 (1/4 tube), 
2	SAE AS5202, size -4 (1/4 tube) 

### TRIP POINT FLOW

SPECIFY FLOW IN SCFM AIR FLOW. FOR GASES OTHER THAN AIR, CONVERT DESIRED GAS FLOW INTO EQUIVALENT AIR FLOW BEFORE ENTERING THE NUMBER INTO THE PART#, ROUND TO THE NEAREST 1 SCFM. SEE TRIP POINT GUIDE BELOW FOR MORE INFORMATION.

### CALIBRATION PRESSURE

SPECIFY AT WHAT PRESSURE TO CALIBRATE TRIP POINT IN HUNDREDS OF PSI.

**EXAMPLES:**

ENTER '28' TO CALIBRATE TRIP POINT AT 2800 PSI;

ENTER '09' TO CALIBRATE AT 900 PSI

**TRIP POINT PART# GUIDE:**

TO CONVERT YOUR DESIRED GAS TRIP POINT FLOW TO EQUIVALENT AIR FLOW, MULTIPLY YOUR FLOW IN SCFM BY THE SQUARE ROOT OF THE SPECIFIC GRAVITY OF THE GAS YOU'RE USING. IF USING A MIXTURE, DO THE SAME FOR EACH GAS IN THE MIXTURE, MULTIPLY EACH BY THE % CONCENTRATION AND THEN ADD THEM UP.

IF YOU REQUIRE ASSISTANCE IN PART# SELECTION, PLEASE CONTACT PREMIER INDUSTRIES.

DESIGNED FOR TRIP POINTS UP TO 225 SCFM (BASED ON 6000 PSI GN2 SUPPLY)

Viton-A® is a registered trademark of E.I. du Pont de Nemours and Company.

Contact factory for material certifications. Fees may apply.

**NOTE:**

ALL FACTORY CALIBRATIONS ARE PERFORMED AT ROOM TEMPERATURE (68-72° F/20-22° C)

# RELIEF VALVE

Adjustable Relief Pressure, Captured Outlet



Premier relief valves protect your system from overpressurization with reliable preset relief pressures between 100-1800 psig (*6.89-124.11 bar*). Great for stand alone use or for use with a wide range of Premier regulators for optimum reliability. Premier relief valves are available in a variety of materials; they can be used with a wide range of media as compatible with their materials of construction.

## FEATURES

- Captured outlet
- Adjustable relief pressure
- PCTFE seat
- Compatible with gas and hydraulic media
- Available in a variety of materials
- Preset relief pressures between 100-1800 psig (*6.89-124.11 bar*).

**SOME APPLICATIONS WILL REQUIRE A CUSTOM SOLUTION.**  
CONTACT PREMIER INDUSTRIES TO REQUEST A MODIFICATION  
OR A CUSTOM DESIGN.

## SPECIFICATIONS

- **RELIEF PRESSURE :**
  - MAX: 1800 PSIG (*124.11 bar*)
  - MIN: 100 PSIG (*6.89 bar*)
- **OPERATING TEMPERATURE :**
  - -100 - 165°F (*-73 - 73°C*)

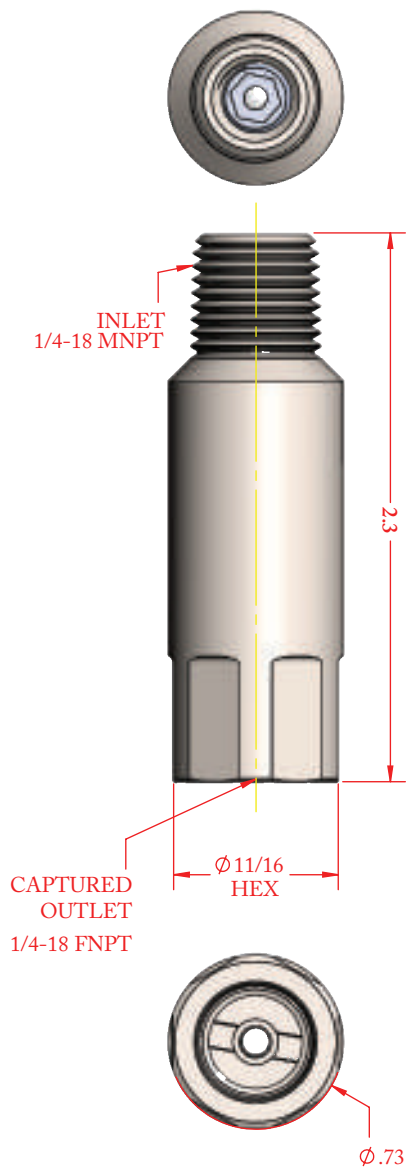
## MATERIALS OF CONSTRUCTION

- **HOUSING MATERIALS:**
  - SAE 360 Brass / Nickel Plated
  - 6061-T6 Aluminum / Nickel Plated
  - 303 Stainless Steel
  - 316 Stainless Steel
- **SEAT:** PCTFE
- **SPRING:** 300 Series Stainless Steel
- **ADJUSTING SCREW:** 303 Stainless Steel
- **SEAT RETAINER:** 303 Stainless Steel

## PORTING

- **INLET:** 1/4" MNPT
- **OUTLET:** 1/4" FNPT (*captured*)

PART NUMBER: 70-00288



# RELIEF VALVE

Adjustable Relief Pressure, Captured Outlet

SERIES	-	1	2	-	XXX
70-00288	-			-	

1	HOUSING MATERIAL AND FINISH
1	SAE 360 Brass, <i>Nickel Plated</i>
2	6061-T6 Aluminum, <i>Nickel Plated</i>
3	303 Stainless Steel, <i>Cleaned per procedure #515</i>
4	316 Stainless Steel, <i>Cleaned per procedure #515</i>
2	VALVE ORIFICE MATERIAL AND FINISH
1	SAE 360 Brass, <i>Nickel Plated</i>
4	6061-T6 Aluminum, <i>Nickel Plated</i>

XXX	FACTORY SET RELIEF PRESSURE IN PSIG / 10
	<p>Use all 3 digits.</p> <p>MAX RELIEF SETTING = 1800 PSIG, MIN RELIEF SETTING = 100 PSIG</p> <p>(EXAMPLES: '025' = 250 PSIG RELIEF PRESSURE, '120' = 1200 PSIG RELIEF PRESSURE).</p>

# AO SERIES

Air Operated, Normally Open/Closed  
Valves



Premier AO Series, Air Operated Valves are designed for both normally open and normally closed use with gas or hydraulic media. Offered in a wide range of process pressures, Cv ratings, and materials, Premier AO valves were designed with the flexibility to integrate seamlessly into your application.

## FEATURES

- High operating pressures
- High flow capacities
- Optional solenoid valve actuator
- Robust design for long cycle life
- Customize and optimize to meet your unique requirement (*contact Premier*)

**SOME APPLICATIONS WILL REQUIRE A CUSTOM SOLUTION.**  
CONTACT PREMIER INDUSTRIES TO REQUEST A MODIFICATION  
OR A CUSTOM DESIGN.

## SPECIFICATIONS

- **MAXIMUM INLET PRESSURE :**
  - P/N: 70-00347: 10000 psig / 689.5 bar
  - P/N: 70-00379: 10000 psig / 689.5 bar
  - P/N: 70-00312: 20000 psig / 1379 bar
  - P/N: 70-00463: 7500 psig / 517.1 bar
- **ACTUATION PRESSURE RANGE:**
  - P/N: 70-00347: 100-150 psig / 6.89-10.3 bar
  - P/N: 70-00379: 100-150 psig / 6.89-10.3 bar
  - P/N: 70-00312: 115-150 psig / 7.93-10.3 bar
  - P/N: 70-00463: 80-125 psig / 5.5-8.6 bar
- **FLOW (Cv):**
  - P/N: 70-00347: 0.80
  - P/N: 70-00379: 2.0
  - P/N: 70-00312: 0.20  
*(with 1/4" medium pressure ports)*
  - P/N: 70-00463: 5.0

## MATERIALS OF CONSTRUCTION

### PROCESS SIDE WETTED:

- **BODY/INSERT/STEM MATERIAL OPTIONS:**
  - P/N: 70-00347 & 70-00379: See selection charts
  - P/N: 70-00312: 17-4 H1150 Stainless Steel
  - P/N: 70-00463: 316 Stainless Steel
- **MAIN VALVE SEAT:**
  - P/N: 70-00347 & 70-00379: Vespel-SP-1®
  - P/N: 70-00312: Vespel-SCP5000®
  - P/N: 70-00463: See selection chart
- **O-RING SEAL OPTIONS:**
  - See selection charts
- **LUBRICANT:**
  - Krytox 240AC (*standard*)
  - Molykote 44 medium lubricant (*special mod*)

### ACTUATOR SIDE WETTED:

- **PISTON PLUG:**
  - 303 Stainless Steel
- **BONNET:**
  - P/N: 70-00347& 70-00379: 303 Stainless Steel
  - P/N: 70-00312: 17-4 H900 Stainless Steel

## MATERIALS OF CONSTRUCTION CONT.

### NON-WETTED:

- **BACK-UP RINGS:**
  - P/N: 70-00347& 70-00379:
    - PTFE
    - PEEK®
  - P/N: 70-00312:
    - PEEK®
  - P/N: 70-00463:
    - Buna-N

## PORTING

- **INLET & OUTLET OPTIONS:**
  - See regulator selection charts
- **ACTUATION PORT:**
  - 1/8" (F)NPT

## OPTIONS

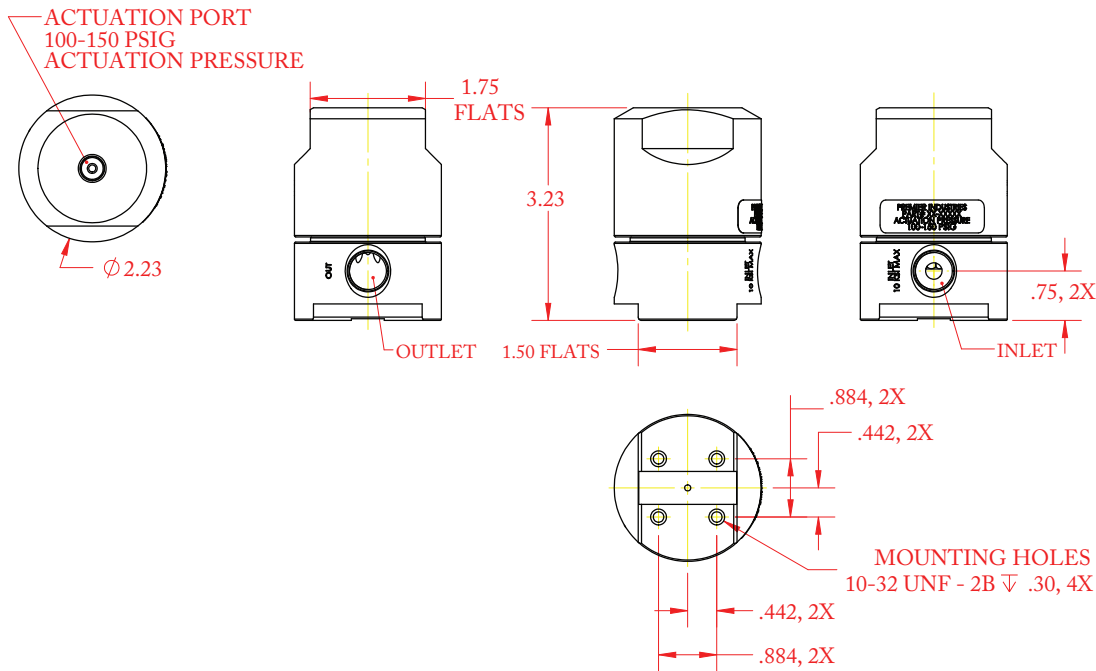
- Private label
- Solenoid valve
- Indicator switch
- Gauges

*Vespel® is a registered trademark of E.I. duPont de Nemours and Company.*

*PEEK® is a registered trademark of Victrex PLC*

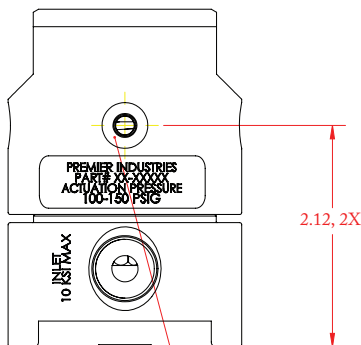


**PART NUMBER: 70-00347**



**INDICATOR SWITCH PORT  
MOD REFERENCE:**

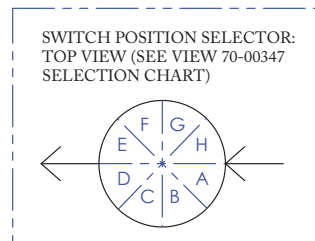
**70-00347-X-XX-XX-7  
(2X SWITCH PORTS MOD)**



M5 X 05-6H INDICATOR  
SWITCH PORT. RANDOM  
ORIENTATION ABOUT  
2X, 180° APART (MOD -7)

**INDICATOR SWITCH INSTALLED  
MOD REFERENCE:**

**70-00347-X-XX-XX-1**



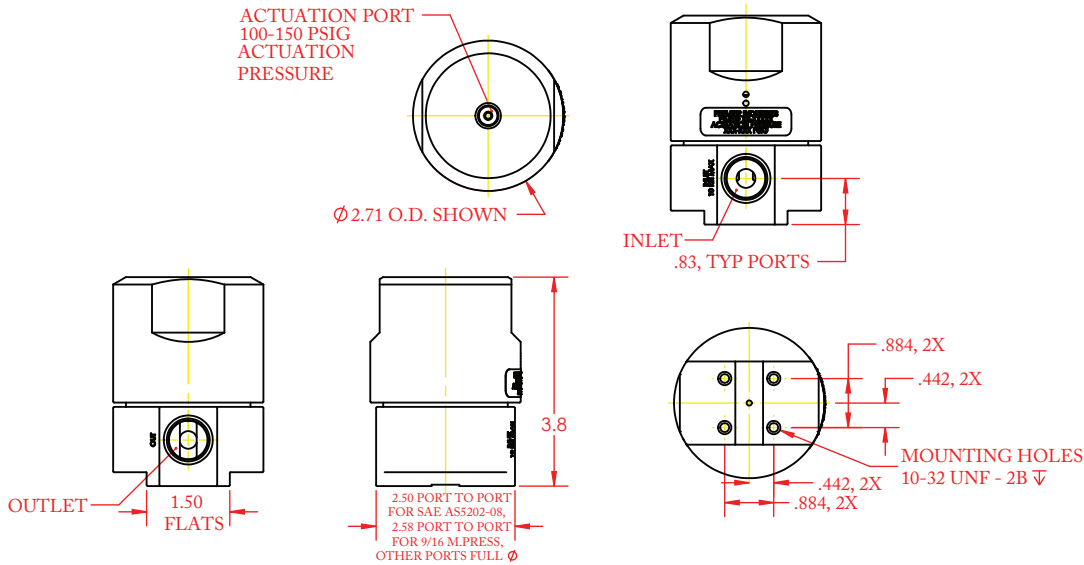
SWITCH POSITION SELECTOR:  
USE DIAGRAM TO THE LEFT TO SELECT A QUADRANT  
TO INSTALL THE SWITCH BY SPECIFYING 2 LETTERS AT  
THE END OF THE PART#. (APPLICABLE TO  
"INDICATOR SWITCH INSTALLED" MOD ONLY.)

**70-00347-X-XX-XX-1-XX**  
2 LETTER  
CODE

**EXAMPLE:**

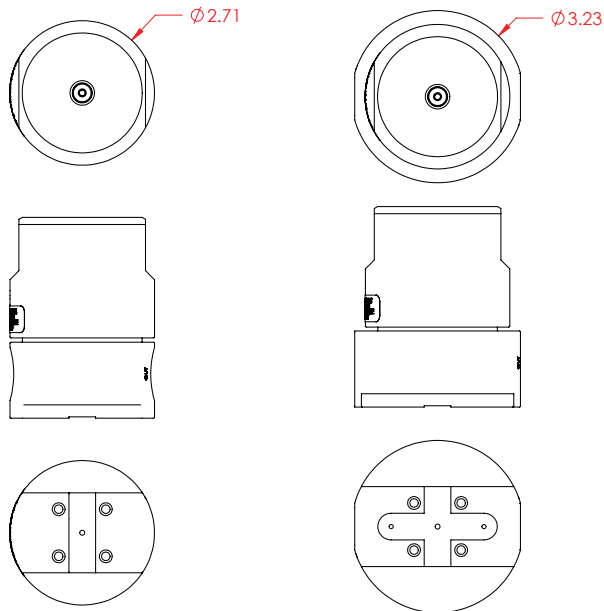
70-00347-X-XX-XX-1-DE  
(THIS WOULD SPECIFY THE SWITCH TO BE INSTALLED  
NEAR THE VALVE'S OUTLET PORT)

**PART NUMBER: 70-00379-X-XX-31**



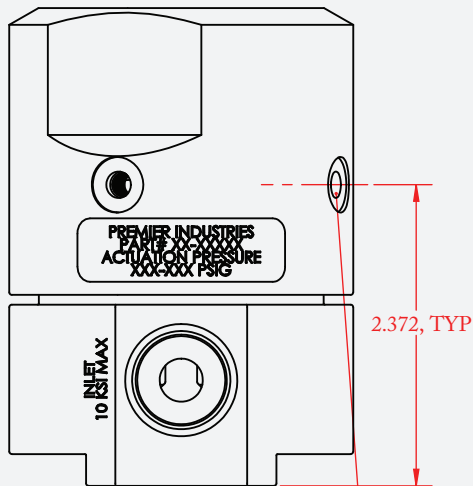
OD REFERENCE  
CONFIGURATIONS:  
70-00379-X-XX-1X (1/2 (F)NPT)  
70-00379-X-XX-2X (3/8 (F)NPT)  
70-00379-X-XX-3X (SAE AS5202-08)  
70-00379-X-XX-5X (SAE AS5202-06)

OD REFERENCE  
CONFIGURATIONS:  
70-00379-X-XX-4X (9/16 MED. PRESS.)



**INDICATOR SWITCH PORT  
MOD REFERENCE:**

70-00379-X-XX-XX-1 (4X SWITCH PORTS)  
70-00379-X-XX-XX-7 (2X SWITCH PORTS)

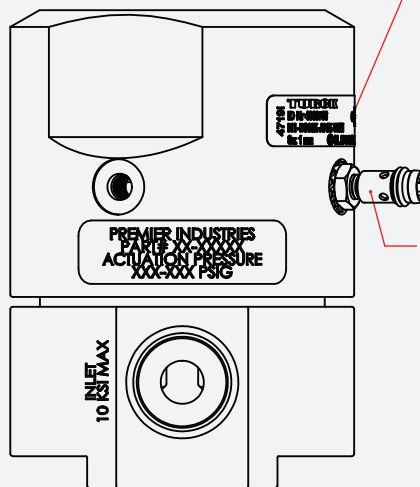


M5 X 05-6H INDICATOR SWITCH PORT. RANDOM ORIENTATION ABOUT AXIS. 4X, 90° APART (MOD-1) OR 2X, 180° APART (MOD-7)

**INDICATOR SWITCH INSTALLED  
MOD REFERENCE:**

(THIS MOD ALSO INCLUDES SWITCH PORTING PER "-1" MOD TO THE LEFT.)

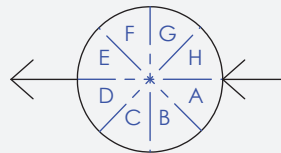
70-00379-X-XX-XX-6(-XX)



INDICATOR SWITCH LABEL (INDICATOR SWITCH INSTALLED MOD ONLY) ADHERE LABEL NEXT TO SWITCH. PLACE ABOVE WHEN POSSIBLE, BELOW WHEN NOT. IF THE SWITCH LABEL WOULD INTERFERE WITH THE FLATS ABOVE AND THE PRODUCT LABEL (2) BELOW, ADHERE NEXT TO THE PRODUCT LABEL (2).

INDICATOR SWITCH: SST HOUSING, PLASTICS AND CERAMICS ACTIVE FACE. 10...30 VDC; 100 mA TURK BI1-EG05K-AP6X-V1331

SWITCH POSITION SELECTOR:  
TOP VIEW (SEE VIEW 70-00379  
SELECTION CHART)



SWITCH POSITION SELECTOR:  
USE DIAGRAM TO THE LEFT TO SELECT A QUADRANT TO INSTALL THE SWITCH BY SPECIFYING 2 LETTERS AT THE END OF THE PART#. (APPLICABLE TO "INDICATOR SWITCH INSTALLED" MOD ONLY.)

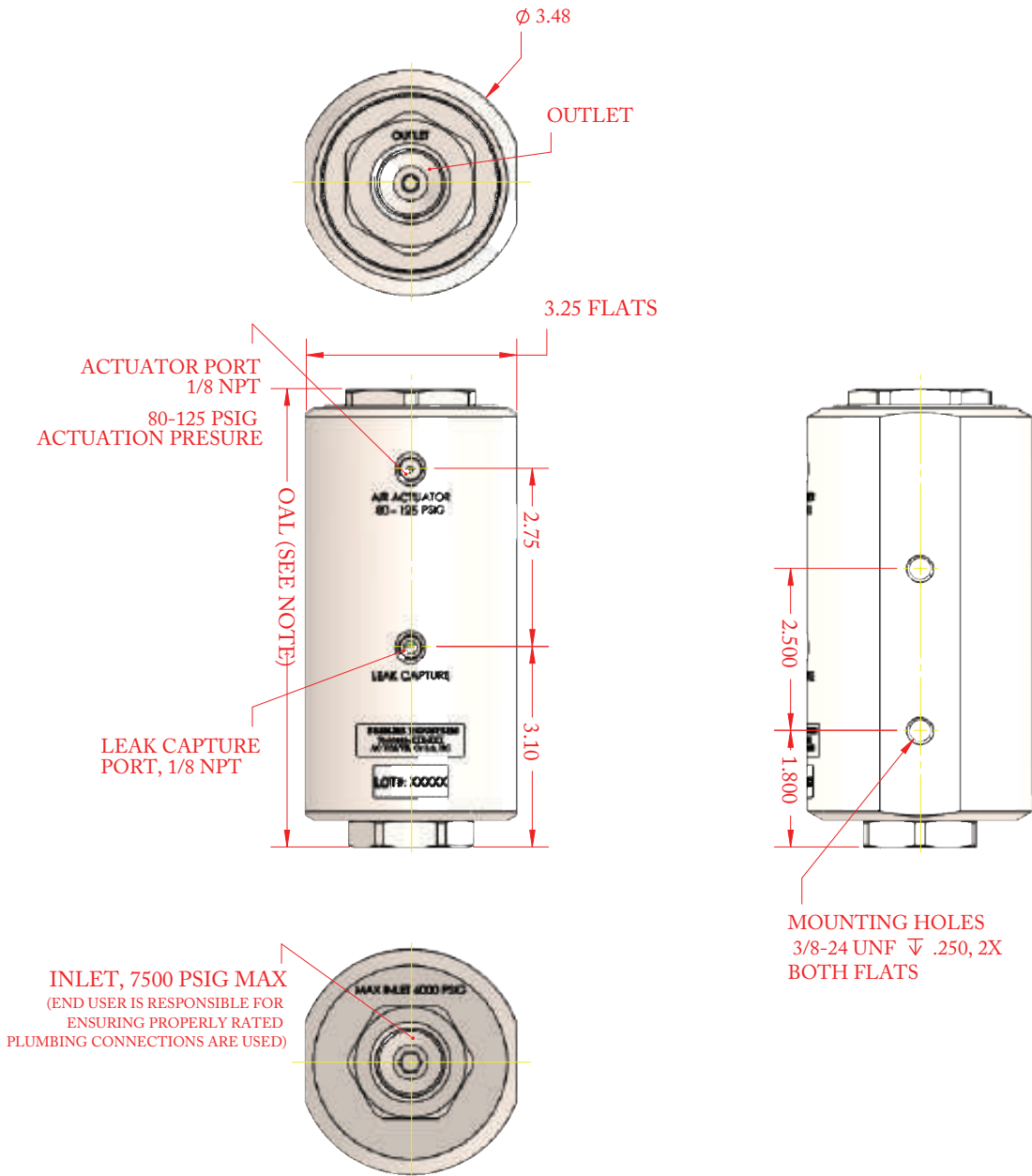
70-00379-X-XX-XX-6-XX

-- 2 LETTER  
CODE

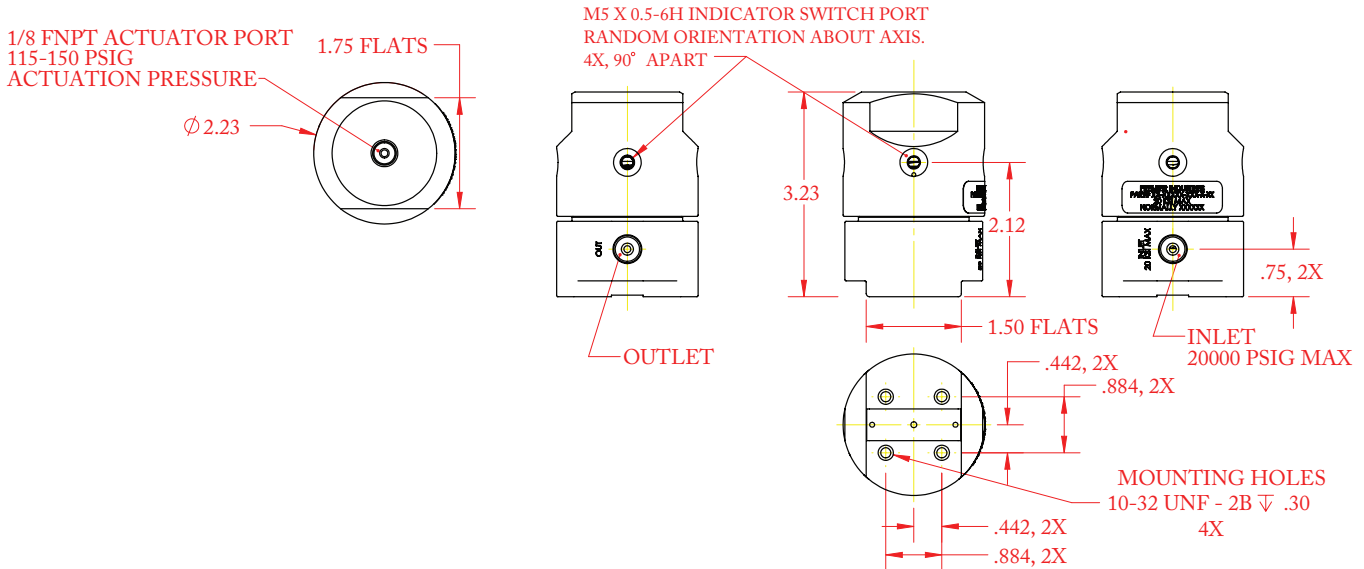
**EXAMPLE:**

70-00379-X-XX-XX-5-DE  
(THIS WOULD SPECIFY THE SWITCH TO BE INSTALLED NEAR THE VALVE'S OUTLET PORT)

**PART NUMBER: 70-00463**  
*NORMALLY CLOSED ONLY*

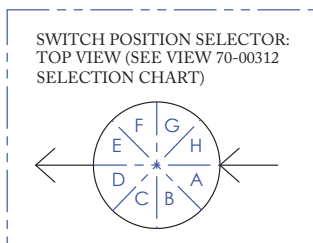


**PART NUMBER: 70-00312**



### INDICATOR SWITCH INSTALLED

**MOD REFERENCE:  
70-00312-XXX-3(-XX)**



SWITCH POSITION SELECTOR:  
USE DIAGRAM TO THE LEFT TO SELECT A QUADRANT  
TO INSTALL THE SWITCH BY SPECIFYING 2 LETTERS AT  
THE END OF THE PART#. (APPLICABLE TO  
"INDICATOR SWITCH INSTALLED" MOD ONLY.)

70-00312-XXX-3-XX  
└── 2 LETTER  
CODE

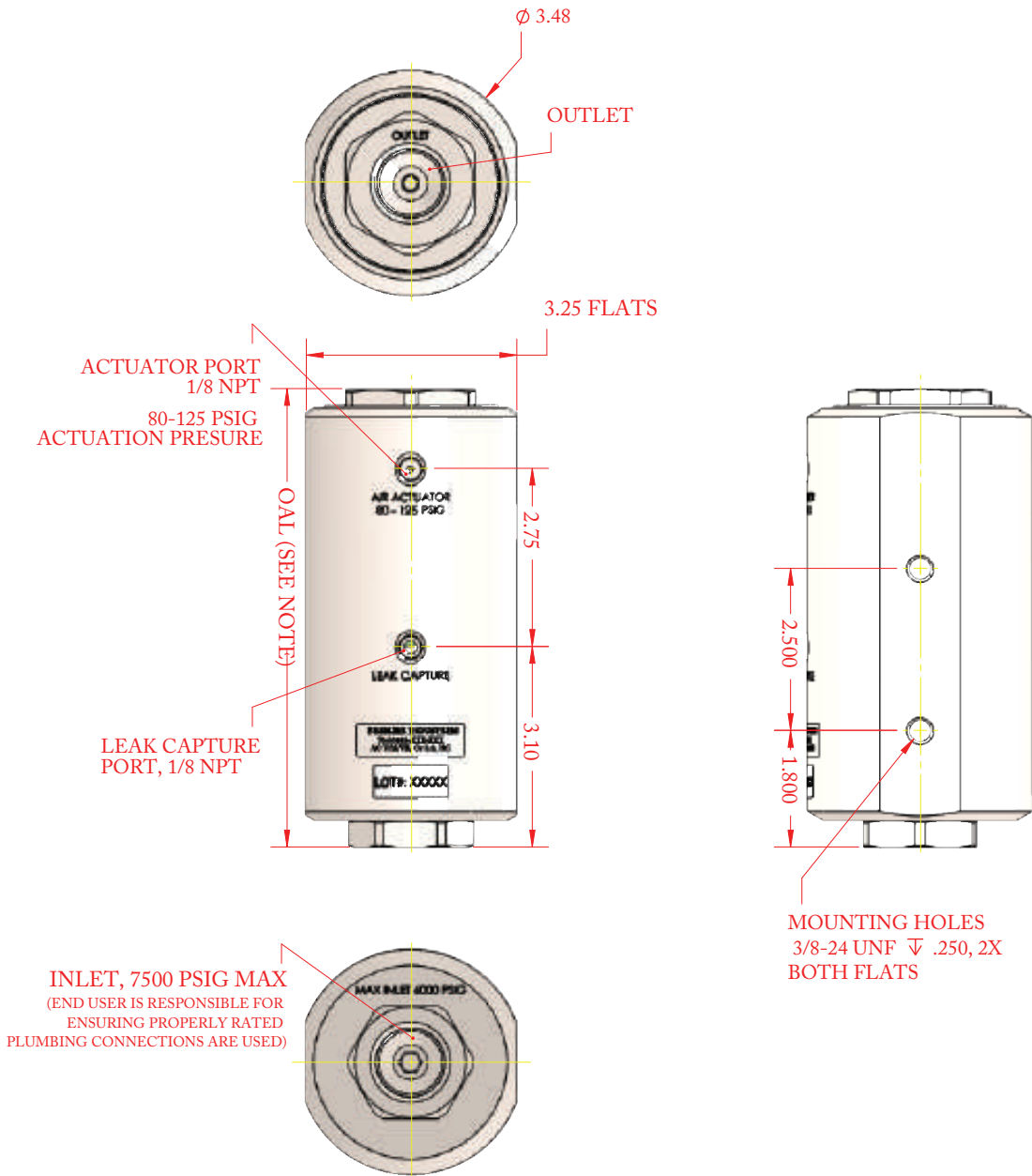
**EXAMPLE:**

70-00312-XXX-3-DE  
(THIS WOULD SPECIFY THE SWITCH TO BE INSTALLED  
NEAR THE VALVE'S OUTLET PORT)

# AO SERIES

Air Operated, Normally Open/Closed Valves

**PART NUMBER: 70-00463**  
*NORMALLY CLOSED ONLY*



# AO SERIES

Air Operated, Normally Open/Closed  
Valves

PART #	-	1	-	2	3	-	4	5	-	MODS (OPTIONAL)
70-00347	-		-			-			-	

**Cv 0.8, 10000 PSIG MAX INLET**

1	TYPE
1	Normally Closed
2	Normally Open
2	BODY/INSERT MATERIAL
1	303 Stainless Steel
2	316 Stainless Steel
3	O-RING MATERIAL
1	Buna-n
2	Viton®
3	EPDM
4	Kalrez® <i>Contact factory for pricing</i>
5	Polyurethane

4	PROCESS PORTS (& GAGE)
1	1/4 FNPT
2	3/8 FNPT
3	SAE AS5202-04
4	1/4 MEDIUM PRESSURE <i>(Medium pressure porting is only available with Cv 0.2)</i>
6	SAE AS5202-06
7	1/8 FNPT
5	ACTUATION PORT
1	1/8 FNPT

SPECIAL MODS**	
OMITTED	NONE
1	INDICATOR SWITCH INSTALLED
2	SOLENOID VALVE ACTUATOR
3	GAUGE PORTS
4	MOLYKOTE 44 MEDIUM LUBRICANT
7	2X INDICATOR SWITCH PORTS (SEE PAGE 3)

**\*\*CONSULT PREMIER INDUSTRIES IF ORDERING SPECIAL MODS, OR IF UNLISTED CONFIGURATIONS ARE REQUIRED.**

**ADD ALL MODS TO END OF PART# (EX. 70-00347-1-12-41-4)**

*Kalrez® & Viton® are registered trademarks of E.I.duPont de Nemours and Company.*

# AO SERIES

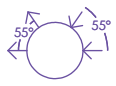
Air Operated, Normally Open/Closed  
Valves

PART #	-	1	-	2	3	-	4	5	-	MODS
70-00379	-		-			-			-	

**Cv 2.0, 10000 PSIG MAX INLET**

1	TYPE
1	Normally Open
2	Normally Closed
2	BODY/INSERT/STEM MATERIAL
2	316 Stainless Steel
3	C693 Eco Brass
3	O-RING MATERIAL
1	Buna-N
2	Viton-A®
3	EPDM
4	Kalrez®
5	Polyurethane

4	PROCESS PORTS
1	1/2 (F)NPT
2	3/8 (F)NPT
3	SAE AS5202-08
4	9/16 Medium pressure
5	SAE AS5202-06
5	ACTUATION PORT
1	1/8 (F)NPT

SPECIAL MODS**	
BLANK	None
1	4X indicator switch ports***
2	Solenoid valve
3	Gauge ports 
4	Molykote 44 medium lubricant
6	Indicator switch installed***
7	2X indicator switch ports***
<i>***See page 5 for indicator switch modifications*</i>	

**\*\*CONSULT PREMIER INDUSTRIES IF ORDERING SPECIAL MODS, OR IF UNLISTED CONFIGURATIONS ARE REQUIRED. ADD ALL MODS TO END OF PART# (EX. 70-00379-1-12-41-1)**

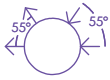
*Kalrez® & Viton® are registered trademarks of E.I. duPont de Nemours and Company.*



PART #	-	1	2	3	-	MODS
70-00312	-				-	

**Cv 0.20, 20000 PSIG MAX INLET**

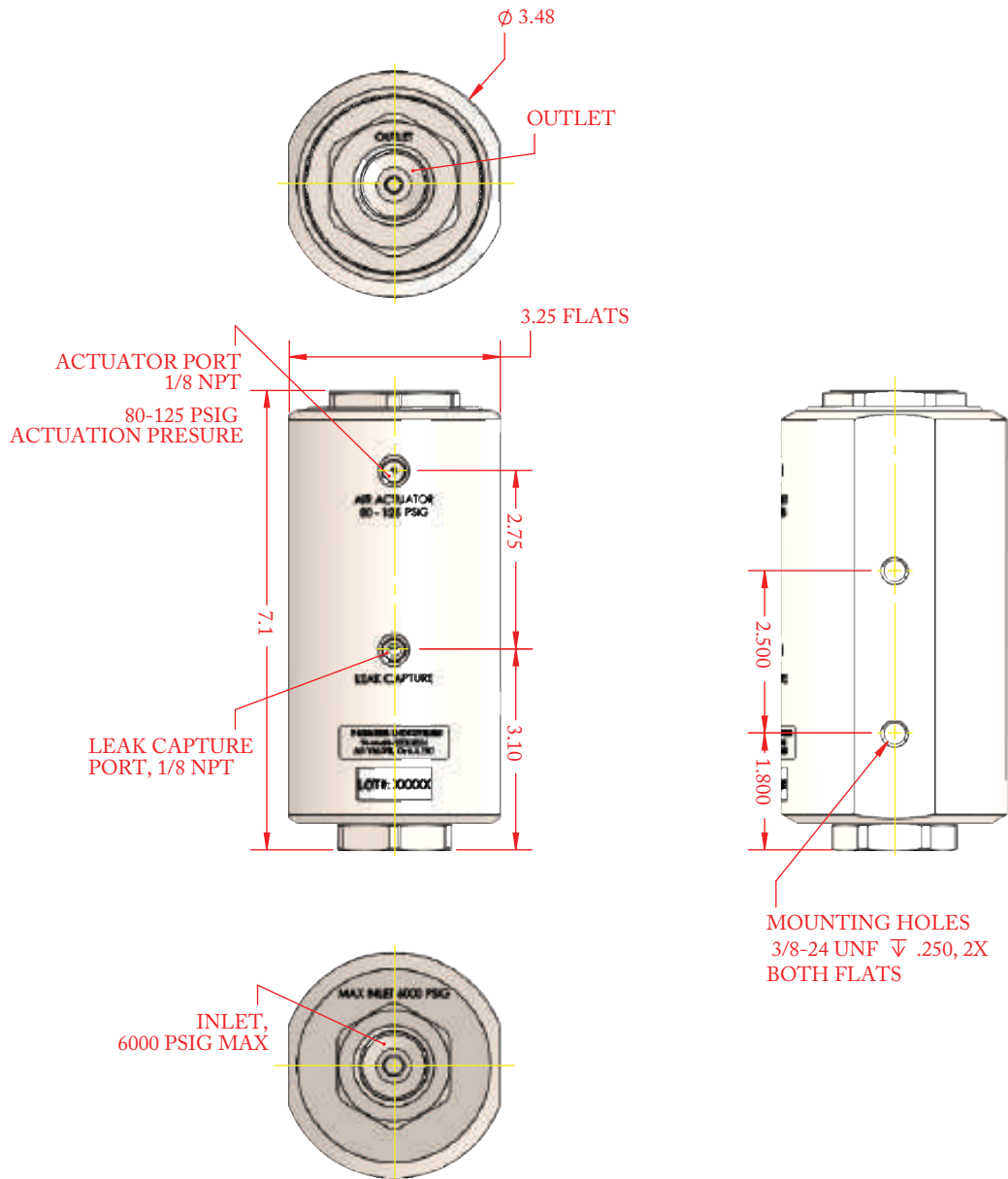
1	TYPE
1	Normally Closed
2	Normally Open
2	PORTING
1	1/4" Medium Pressure
3	O-RING MATERIAL
1	Buna-N
2	Viton®
3	EPDM
4	Neoprene
5	Kalrez® <i>Contact factory for pricing</i>
6	Polyurethane

MODIFICATIONS**	
BLANK	None
1	Gauge ports 
2	Solenoid valve
3	Indicator switch installed
4	Molykote 44 medium lubricant

**\*\*CONSULT PREMIER INDUSTRIES IF ORDERING SPECIAL MODS,  
OR IF UNLISTED CONFIGURATIONS ARE REQUIRED.  
ADD ALL MODS TO END OF PART# (EX. 70-00312-113-1)**

*Kalrez® & Viton® are registered trademarks of E.I.duPont de Nemours and Company.*

**PART NUMBER: 70-00465**  
Cv 5.0



PART #	-	1	2	3	-	4	5	6	-	MODS
70-00463	-				-				-	

**Cv 5.0, 6000 PSIG MAX INLET**

1	WETTED MATERIAL
1	316 Stainless Steel
2	SEALS / WETTED BACKUP RINGS
1	Buna-N / Buna-N
2	Viton® / Viton®
3	EPDM / PTFE
4	Kalrez® / PTFE <i>Contact factory for pricing</i>
5	Polyurethane / PTFE
3	SEAT MATERIAL
1	Vespel SP-1®
2	PEEK 1000®

4	INLET PORT:
1	3/4" AS5202 (-12 TUBE SIZE)
2	1" AS5202 (-16 TUBE SIZE)
3	3/4" FNPT
4	1" FNPT
5	OUTLET PORT:
1	3/4" AS5202 (-12 TUBE SIZE)
2	1" AS5202 (-16 TUBE SIZE)
3	3/4" FNPT
4	1" FNPT
6	AIR AND LEAK PORTS:
1	1/8" FNPT

MODIFICATIONS**	
BLANK	None

**\*\*CONSULT PREMIER INDUSTRIES IF ORDERING SPECIAL MODS,  
OR IF UNLISTED CONFIGURATIONS ARE REQUIRED.  
ADD ALL MODS TO END OF PART# (EX. 70-00312-113-1)**

*Kalrez® & Viton® are registered trademarks of E.I.duPont de Nemours and Company.*

# AO SERIES

Air Operated, Normally Open/Closed  
Valves

PART #	-	1	2	3	-	4	5	6	-	MODS
70-00463	-				-				-	

**Cv 5.0, 7500 PSIG MAX INLET  
NORMALLY CLOSED ONLY**

1	WETTED MATERIAL
1	316 Stainless Steel
2	SEALS / WETTED BACKUP RINGS
1	Buna-N / Buna-N
2	Viton® / Viton®
3	EPDM / PTFE
4	Kalrez® / PTFE <i>Contact factory for pricing</i>
5	Polyurethane / PTFE
3	SEAT MATERIAL
1	VespeI® SP-1
2	PEEK 1000®

4	INLET PORT:
1	3/4" AS5202 (-12 TUBE SIZE)
2	1" AS5202 (-16 TUBE SIZE)
3	3/4" FNPT
4	1" FNPT
5	1" MEDIUM PRESSURE
5	OUTLET PORT:
1	3/4" AS5202 (-12 TUBE SIZE)
2	1" AS5202 (-16 TUBE SIZE)
3	3/4" FNPT
4	1" FNPT
5	1" MEDIUM PRESSURE

6	AIR AND LEAK PORTS:
1	1/8" FNPT
MODIFICATIONS**	
BLANK	None

**\*\*CONSULT PREMIER INDUSTRIES IF ORDERING SPECIAL MODS,  
OR IF UNLISTED CONFIGURATIONS ARE REQUIRED.  
ADD ALL MODS TO END OF PART# (EX. 70-00463-113-1)**

*VespeI® & Viton® are registered trademarks of E.I. duPont de Nemours and Company.  
PEEK® is a registered trademark of Victrex PLC*

# 70 SERIES

**High Pressure  
Shut Off Valves**

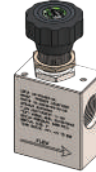
## 70-1100A

ANGLE PATTERN  
10000 PSIG MAX  
Cv: 0.42



## 70-1200G

GLOBE PATTERN  
6000 PSIG MAX  
Cv 8.0



## 70-1300G

GLOBE PATTERN  
10000 PSIG MAX  
Cv: 1.6



## 70-2100AB

W/ BLEED/VENT VALVE  
10000 PSIG MAX



Premier 70 Series shut off valves are stainless steel, high pressure shut off valves rated for pressures up to 10000 PSIG (*varies by model*). 70 Series valves feature a metal stop that prevents stem over-travel; the metal stop also functions as a secondary metal-to-metal seat should the soft seat fail.

Premier 70 Series valves may be used in a wide variety of applications consistent with valve materials compatibility with media.

## FEATURES

- Rated up to 10000 PSIG
- A variety of port sizes and configurations
- Low torque at high pressures
- Metal stop prevents stem-over-travel

**SOME APPLICATIONS WILL REQUIRE A CUSTOM SOLUTION.**  
CONTACT PREMIER INDUSTRIES TO REQUEST A MODIFICATION  
OR A CUSTOM DESIGN.

**PART NUMBER: 70-1100A**

## SPECIFICATIONS

- **MAXIMUM OPERATING PRESSURE :**
  - PTFE seat, SAE 360 Brass body:
    - 3500 PSIG / 241 BAR
  - PTFE seat, 316 Stainless Steel body:
    - 3500 PSIG / 241 BAR
  - PCTFE seat, SAE 360 Brass body:
    - 6000 PSIG / 414 BAR
  - PCTFE seat, 316 Stainless Steel body:
    - 6000 PSIG / 414 BAR
  - PEEK® seat, SAE 360 Brass body:
    - 6000 PSIG / 414 BAR
  - PEEK® seat, 316 Stainless Steel body:
    - 10000 PSIG / 690 BAR
  - Vespel SP-1® seat, SAE 360 Brass body:
    - 6000 PSIG / 414 BAR
  - Vespel SP-1® seat, 316 Stainless Steel body:
    - 10000 PSIG / 690 BAR
- **LEAK RATE:** Bubble Tight
- **FLOW CV:** 0.42

## MATERIALS OF CONSTRUCTION

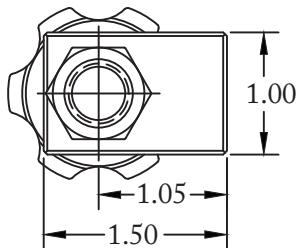
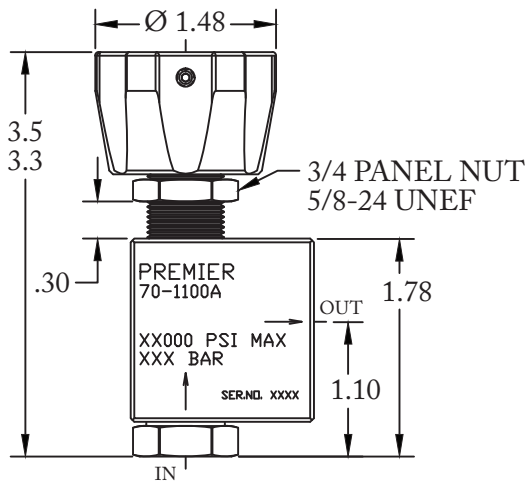
- **BODY:**
  - 316 Stainless Steel
  - SAE 360 Brass
- **VALVE SEAT:**
  - PTFE
  - PCTFE
  - PEEK®
  - Vespel SP-1®
- **VALVE STEM:**
  - 17-4 Stainless Steel (Hardened)
- **O-RING:**
  - BUNA-N
  - AFLAS®
  - Viton-A®
  - EPDM
  - Kalrez®
  - Nitrile, lo-temp
- **BACK-UP RING:**
  - PTFE
  - PCTFE
- **WETTED PARTS:**
  - 316 Stainless Steel
  - 17-4 Stainless Steel
  - Nitronic® 60 Stainless Steel
  - PEEK®

*Kalrez®, Vespel®, and Viton® are registered trademarks of E.I. du Pont de Nemours and Company.  
PEEK® is a registered trademark of Victrex PLC  
AFLAS® is a registered trademark of the Asahi Glass Co., Ltd.  
Nitronic® is a registered trademark of AK Steel*

## PORTING

- **INLET/OUTLET PORTING:**
  - 1/4" NPT, SAE J1926, SAE AS5202, Medium Pressure

**PART NUMBER: 70-1100A**



PART #	1	-	2	3	4	5	-	6 7
70-1100		-					-	

1	PATTERN
A	Angle pattern
2	MATERIALS OF CONSTRUCTION
B	SAE 360 Brass Body
S	316 Stainless Steel Body
3	PORT SIZE
4	1/4"
4	PORT TYPE
1	NPT
2	SAE J1926
3	SAE AS5202
4	MEDIUM PRESSURE

5	SEAT MATERIAL
T	PTFE
C	PCTFE
P	PEEK®
V	VESPEL SP-1®
6 7	O-RING MATERIAL
00	BUNA-N
01	AFLAS®
02	VITON-A®
05	EPDM
11	KALREZ®
12	NITRILE, LO-TEMP

*AFLAS® is a registered trademark of the Asahi Glass Co., Ltd.*

*PEEK® is a registered trademark of Victrex PLC*

*Kalrez®, Vespel® & Viton® are registered trademarks of E.I. duPont de Nemours and Company.*



**PART NUMBER: 70-1200G**

## SPECIFICATIONS

- **DESIGN PRESSURE :**
  - 6000 PSIG (*413.69 bar*)
- **FLOW Cv:** 8.0

## PORTING

- **INLET/OUTLET PORTING OPTIONS:**
  - 3/4" NPT, SAE J1926, SAE AS5202, NPTF (DRY SEAL)
  - 1" NPT, SAE J1926, SAE AS5202, NPTF (DRY SEAL)

## MATERIALS OF CONSTRUCTION

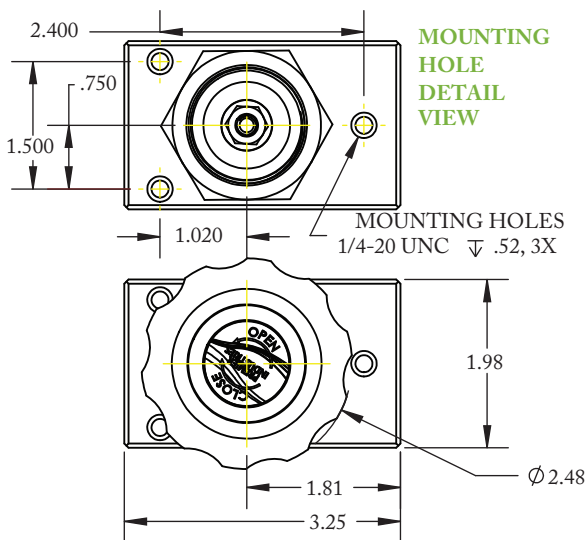
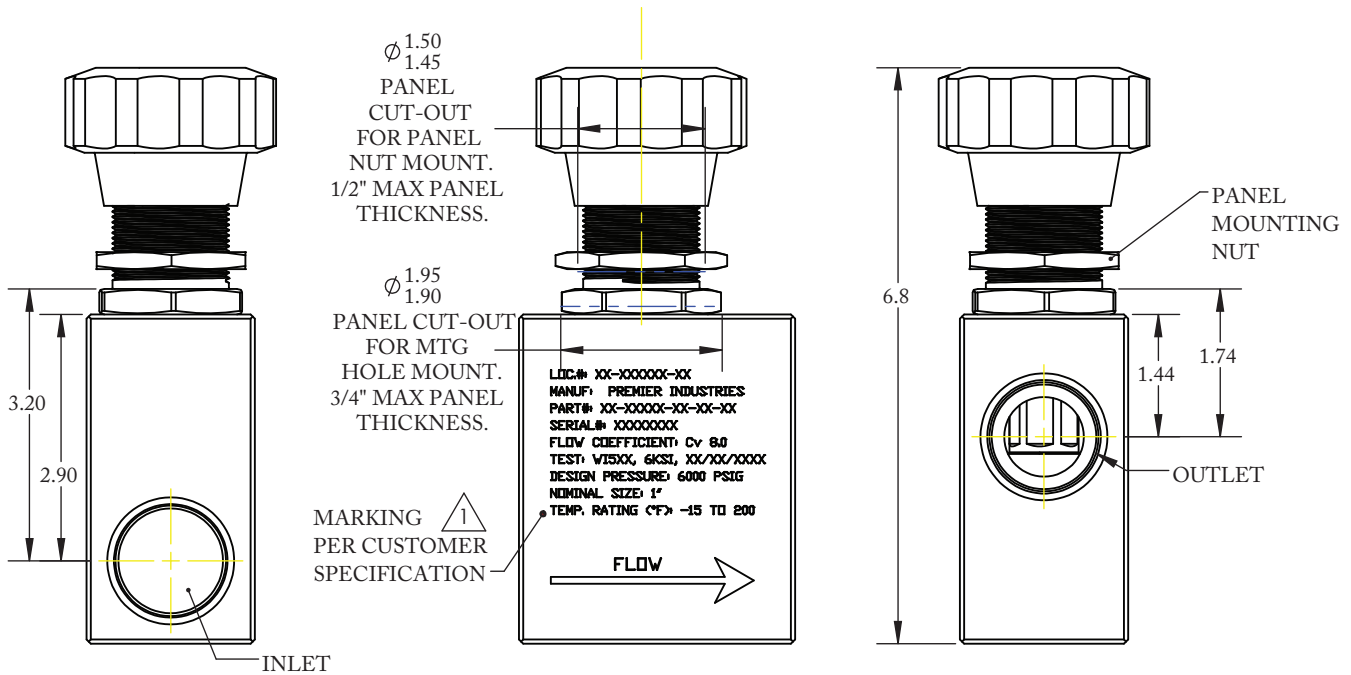
### WETTED:

- **BODY MATERIAL:**
  - 316 Stainless Steel
- **VALVE SEAT:**
  - PCTFE
  - PEEK®
  - Vespel SP-1®
- **O-RING OPTIONS:**
  - Buna-N
  - AFLAS®
  - Viton-A®
  - EPDM
  - Kalrez®
  - Nitrile, lo-temp
- **BACK-UP RINGS:**
  - PTFE, Graphite Filled
- **OTHER WETTED PARTS:**
  - 316 Stainless Steel
  - Nitronic 60

### NON-WETTED:

- **KNOB MATERIAL:**
  - 6061-T6 Aluminum, Black Anodize
- **PANEL NUT:**
  - 6061-T6 Aluminum, Nickel-Plated
- **ROLLER BEARINGS/WASHERS:**
  - Steel

**PART NUMBER: 70-1200G**



PART #	-	1	2	3	4	-	5 6	-	LASER MOD
70-1200G	-					-		-	

1	BODY MATERIAL
S	316 Stainless Steel
2	PORT SIZE
T	3/4"
W	1"
3	PORT TYPE
1	NPT
2	SAE J1996
3	SAE AS5202
6	NPTF (DRY DEAL)

4	SEAT MATERIAL
C	PCTFE
P	PEEK
V	Vespel® SP-1
5 6	O-RING MATERIAL
00	Buna-N
01	Aflas®
02	Viton-A®
05	EPDM
11	Kalrez®
12	Nitrile, low temperature

LASER MARKING MODIFIER	
BLANK	CUSTOMER SPEC. CODE '0'
1	CUSTOMER SPEC. CODE '1'
Z	GENERIC MARKING (MAX PRESS, FLOW DIRECTION, MANUFACTURER AND PART #)
<p><b>CONTACT PREMIER TO REQUEST CUSTOM MARKING AND TO GET YOUR LASER MARKING CODE NUMBER.</b></p>	

END USER IS RESPONSIBLE FOR ENSURING THAT ALL FITTINGS AND PLUMBING USED WITH THIS VALVE ARE RATED APPROPRIATELY FOR THE APPLICATION.

*Kalrez®, Vespel®, and Viton® are registered trademarks of E.I. duPont de Nemours and Company.*

*PEEK® is a registered trademark of Victrex PLC*

*AFLAS® is a registered trademark of the Asahi Glass Co., Ltd.*

*Contact factory for material certifications. Fees may apply.*

**PART NUMBER: 70-1300G**

## SPECIFICATIONS

- **DESIGN PRESSURE :**
  - 10000 PSIG (689.5 bar)
- **FLOW Cv:** 1.6

## PORTING

- **INLET/OUTLET PORTING OPTIONS:**
  - 1/2" NPT, SAE J1926, MS 33649
  - 9/16" Medium Pressure

## MATERIALS OF CONSTRUCTION

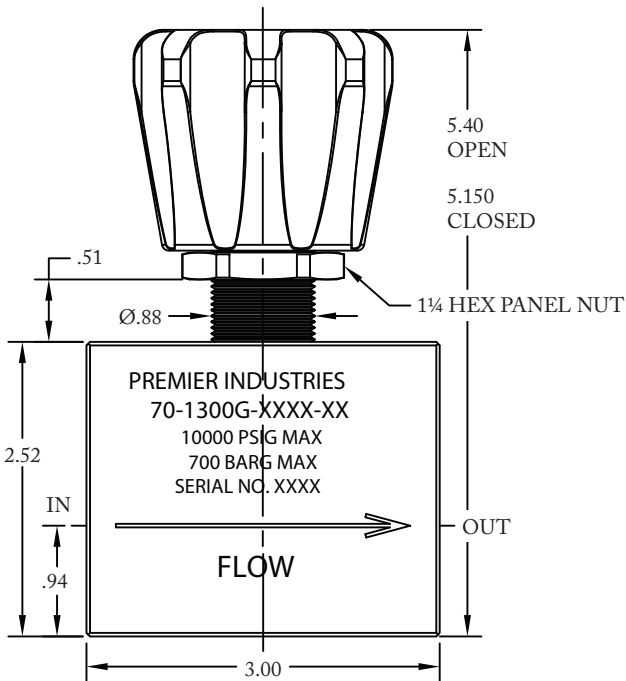
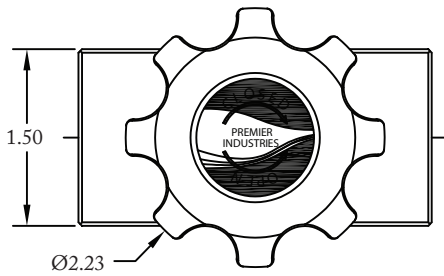
### WETTED:

- **BODY MATERIAL:**
  - 316 Stainless Steel
- **VALVE SEAT:**
  - Vespel SP-1®
- **VALVE STEM:**
  - Nitronic® 60 Stainless Steel
- **O-RING OPTIONS:**
  - Buna-N
  - AFLAS®
  - Viton-A®
  - EPDM
  - Kalrez®
  - Nitrile, lo-temp
- **BACK-UP RING:**
  - PCTFE
- **OTHER WETTED PARTS:**
  - 316 Stainless Steel
  - 17-4 Stainless Steel

### NON-WETTED:

- **KNOB MATERIAL:**
  - 6061-T6 Aluminum, black anodize

**PART NUMBER: 70-1300G**



PART #	1	-	2	3	4	5	-	6 7	-	MODS
70-1300		-					-		-	

1	PATTERN
G	Globe
2	MATERIALS OF CONSTRUCTION
S	316 Stainless Steel Body
3	PORT SIZE
8	1/2"
9	9/16"
<i>*1/2" not available in medium pressure **9/16" only available in medium pressure</i>	
4	PORT TYPE
1	NPT
2	SAE J1996
3	MS 33649
4	Medium Pressure

5	SEAT MATERIAL
P	PEEK
V	Vespel® SP-1
6 7	O-RING MATERIAL
00	Buna-N
01	Aflas®
02	Viton-A®
05	EPDM
11	Kalrez®
12	Nitrile, low temperature

MODIFICATIONS	
BLANK	NONE
AC	Krytox 240AC

*Kalrez®, Vespel®, and Viton® are registered trademarks of E.I. duPont de Nemours and Company.  
PEEK® is a registered trademark of Victrex PLC  
AFLAS® is a registered trademark of the Asahi Glass Co., Ltd.*

*Contact factory for material certifications.  
Fees may apply.*

**PART NUMBER: 70-2100AB**

## SPECIFICATIONS

- **MAXIMUM OPERATING PRESSURE :**
  - PTFE seat, SAE 360 Brass body:
    - 3500 PSIG / 241 BAR
  - PTFE seat, 316 Stainless Steel body:
    - 3500 PSIG / 241 BAR
  - PCTFE seat, SAE 360 Brass body:
    - 6000 PSIG / 414 BAR
  - PCTFE seat, 316 Stainless Steel body:
    - 6000 PSIG / 414 BAR
  - PEEK® seat, SAE 360 Brass body:
    - 6000 PSIG / 414 BAR
  - PEEK® seat, 316 Stainless Steel body:
    - 10000 PSIG / 690 BAR
  - Vespel SP-1® seat, SAE 360 Brass body:
    - 6000 PSIG / 414 BAR
  - Vespel SP-1® seat, 316 Stainless Steel body:
    - 10000 PSIG / 690 BAR
- **LEAK RATE:** Bubble Tight

## MATERIALS OF CONSTRUCTION

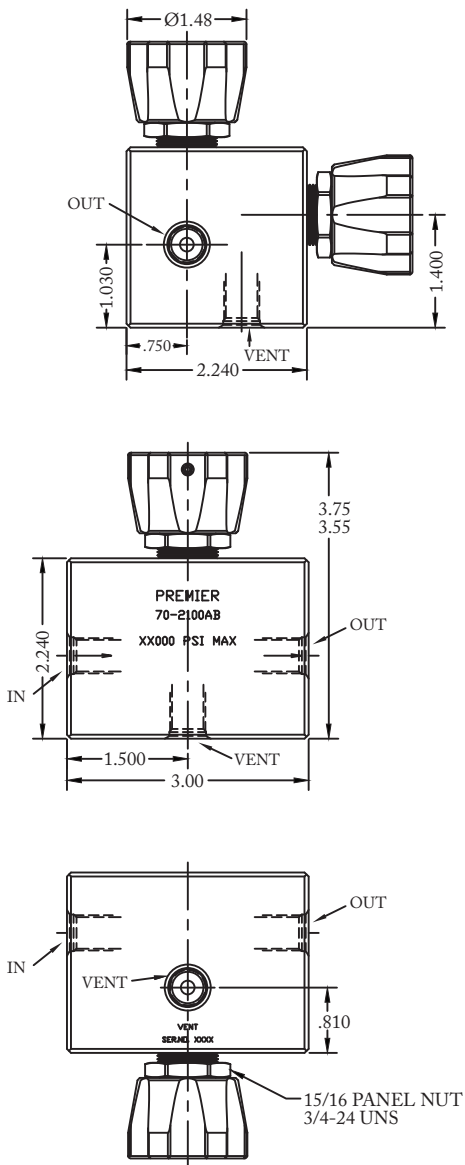
- **BODY:**
  - 316 Stainless Steel
  - SAE 360 Brass
- **VALVE SEAT:**
  - PTFE
  - PCTFE
  - PEEK®
  - Vespel SP-1®
- **VALVE STEM:**
  - 17-4 Stainless Steel (Hardened)
- **O-RING:**
  - BUNA-N
  - AFLAS®
  - Viton-A®
  - EPDM
  - Kalrez®
  - Nitrile, lo-temp
- **BACK-UP RING:**
  - PTFE
  - PCTFE
- **WETTED PARTS:**
  - 316 Stainless Steel
  - 17-4 Stainless Steel
  - Nitronic® 60 Stainless Steel
  - PEEK®

*Kalrez®, Vespel®, and Viton® are registered trademarks of E.I. du Pont de Nemours and Company.  
PEEK® is a registered trademark of Victrex PLC  
AFLAS® is a registered trademark of the Asahi Glass Co., Ltd.*

## PORTING

- **INLET/OUTLET PORTING**
  - 1/4" NPT, SAE J1926, MS 33649
  - 1/2" NPT, SAE J1926, MS 33649

**PART NUMBER: 70-2100AB**





PART #	-	1	2	3	4	-	5	6
70-2100AB	-					-		

1	MATERIALS OF CONSTRUCTION
B	SAE 360 Brass Body
S	316 Stainless Steel Body
2	PORT SIZE
4	1/4"
8	1/2"
3	PORT TYPE
1	NPT
2	SAE J1926
3	SAE AS5202 / MS33649

4	SEAT MATERIAL
T	PTFE
C	PCTFE
P	PEEK®
V	VESPEL SP-1®
5 6	O-RING MATERIAL
00	BUNA-N
01	AFLAS®
02	VITON-A®
05	EPDM
11	KALREZ®
12	NITRILE, LO-TEMP

*AFLAS® is a registered trademark of the Asahi Glass Co., Ltd.*

*PEEK® is a registered trademark of Victrex PLC*

*Kalrez®, Vespel® & Viton® are registered trademarks of E.I.duPont de Nemours and Company.*

# PA32 SERIES

Pneumatically Actuated, Three Way, Two Position  
Valves



The Premier PA32 Series pneumatically actuated, high pressure 3/2 valve can operate as both normally open and normally closed with a simple change in plumbing. This valve is rated for operating pressures up to 3000 psig /206.8 barg, Cv 0.025, and can actuate at as low as 100 psig / 6.89 barg.

## NORMALLY OPEN

When used in the normally open position while unloaded, the PA32 allows flow from inlet to outlet. When loaded with 100-150 psig (6.89-10.34 bar), the PA32 allows flow from outlet to exhaust.

## NORMALLY CLOSED

When used in the normally closed position while unloaded it allows flow from outlet to exhaust. When loaded with 100-150 psig (6.89-10.34 bar), the PA32 allows flow from inlet to outlet.

## FEATURES

- High process pressures for heavy actuation loads.
- Can be used as normally open or normally closed

**SOME APPLICATIONS WILL REQUIRE A CUSTOM SOLUTION.**  
CONTACT PREMIER INDUSTRIES TO REQUEST A MODIFICATION  
OR A CUSTOM DESIGN.

# PA32 SERIES

Pneumatically Actuated, Three Way, Two Position  
Valves

## SPECIFICATIONS

- **MAWP** : 3000 PSIG (206.84 bar)
- **ACTUATION PRESSURE** :
  - 100 - 150 PSIG (6.89-10.34 bar)
- **FLOW (Cv)** : 0.025

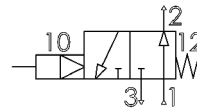
## MATERIALS OF CONSTRUCTION

- **WETTED MATERIALS:**
  - 300 Series Stainless Steel
- **SOFT GOODS:**
  - PTFE, PEEK®, Buna-N, & Polyurethane
- **LUBRICANT:**
  - Krytox 240AC

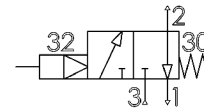
## PORTING

- **SAE J1926-1 SIZE -2 (1/8 TUBE)** (standard, see selector)
  - **PORT '1'**: INLET FOR NORMALLY OPEN OPERATION (VENT FOR N.C.)
  - **PORT '2'**: PROCESS OUTLET PORT
  - **PORT '3'**: INLET FOR NORMALLY CLOSED OPERATION (VENT FOR N.O.)

### NORMALLY OPEN



### NORMALLY CLOSED



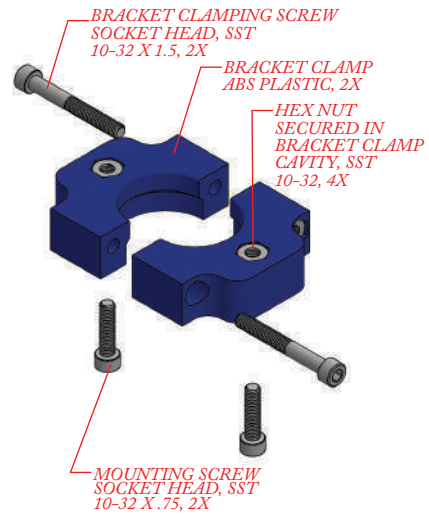
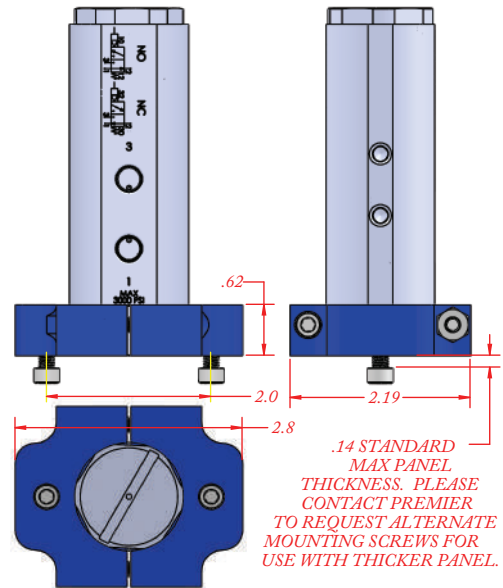
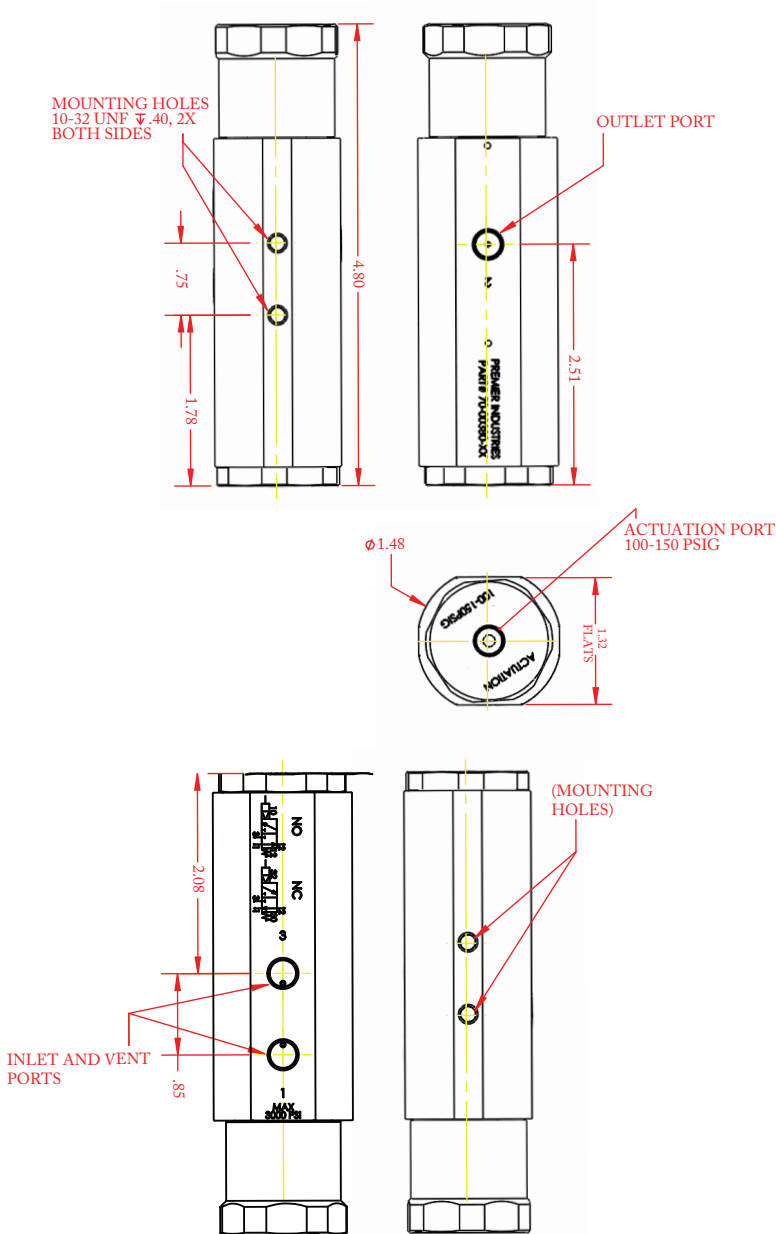
## OPTIONS

- Private labeling
- Bottom mount bracket: ABS plastic and stainless steel (see page 3)

*PEEK is a registered trademark of Victrex PLC*

**PART NUMBER: 70-00380**

**BOTTOM MOUNT BRACKET**  
(OPTIONAL)



# PA32 SERIES

Pneumatically Actuated, Three Way, Two Position  
Valves

PART #	-	1	2	-	3
70-00380	-			-	

<b>1</b>	<b>MATERIAL</b>
<b>2</b>	<i>300 Series Stainless Steel</i>
<b>2</b>	<b>PORTING</b>
<b>1</b>	<i>SAE J1926-1, SIZE -2 (1/8 TUBE)</i>
<b>MODIFICATIONS</b> <i>(ADD ALL REQUIRED MODS TO END OF PART#)</i>	
<b>BLANK</b>	<i>None</i>
<b>B</b>	<i>Bottom mount bracket</i>
<b>SPX5</b>	<i>Clean and handle to SPX class 5</i>

# CHANGEOVERS & MANIFOLDS

## CHANGEOVERS & MANIFOLDS

# CR2500 SERIES

Changeover Regulator



Diaphragm sensed Premier CR2500 Series changeover regulators provide a compact system which supplies a continuous flow of gas, preventing unnecessary outages, and wasted gas. When the primary gas source is consumed, the changeover regulator automatically draws from a secondary supply. The hand knob can be turned after the depletion of one gas source (arrow pointing towards the line currently in service) allowing you to safely replenish the depleted source not in service. The CR2500 Series is fitted with a stainless steel diaphragm, minimizing inboard diffusion. The CR2500 Series has a max inlet of 3000 PSIG (*206.84 bar*), 5 outlet pressure ranges, and Cv 0.08 or 0.2.

## FEATURES

- Stainless steel diaphragm minimizes inboard diffusion of air into regulator
- 3000 psig (*206.84 bar*) max inlet
- Four outlet pressure ranges
- Optional hand knob styles available
- Very competitive pricing
- Compact design (body diameter of 1.5 in. x 5.5 in. long)
- Machined bar stock body eliminates porosity

**SOME APPLICATIONS WILL REQUIRE A CUSTOM SOLUTION.**  
CONTACT PREMIER INDUSTRIES TO REQUEST A MODIFICATION  
OR A CUSTOM DESIGN.

## SPECIFICATIONS

- **MAXIMUM INLET PRESSURE:**
  - 3000 PSIG (*206.84 bar*)
- **OUTLET PRESSURE RANGES:**
  - 0-25 PSIG (*0-1.72 bar*)
  - 0-50 PSIG (*0-3.45 bar*)
  - 0-100 PSIG (*0-6.89 bar*)
  - 0-250 PSIG (*0-17.24 bar*)
  - 0-500 PSIG (*0-34.47 bar*)
- **FLOW (Cv):** 0.08 (*standard*) or 0.2

## MATERIALS OF CONSTRUCTION

- **BODY & BONNET OPTIONS:**
  - SAE 360 brass (*body and bonnet*)
  - SAE 360 brass, nickel plated (*body and bonnet*)
  - 316 stainless steel (*body*)  
SAE 360 brass, nickel plated (*bonnet*)
  - 6061-T6 Aluminum, Clear Anodized (*body and bonnet*)
- **DIAPHRAGM:** 316 Stainless Steel
- **DIAPHRAGM SEAL:** PTFE
- **MAIN VALVE SEAT:** PTFE

## PORTING

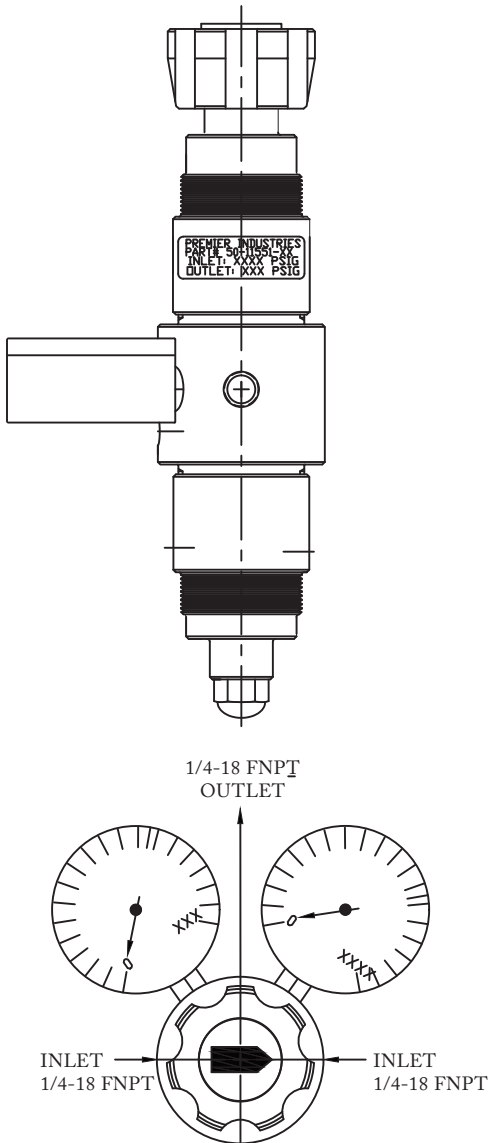
- **INLET PORTING:**
  - 1/4-18" FNPT
- **OUTLET PORTING:**
  - 1/4-18" FNPT

## OPTIONS

- Panel mounting nuts
- Gauges
- Private label



PART NUMBER: 50-11551



PART #	-	1	2	3	4
50-11551	-				

1	BODY & BONNET MATERIAL
2	316 stainless steel, cleaned per spec #515 ( <i>body</i> ) SAE 360 brass, nickel plated ( <i>bonnet</i> )
3	6061-T6 aluminum, clear anodized ( <i>body</i> ) 6061-T6 aluminum, clear anodized ( <i>bonnet</i> )
5	SAE 360 brass, nickel plated ( <i>body</i> ) SAE 360 brass, nickel plated ( <i>bonnet</i> )
8	SAE 360 brass ( <i>body</i> ) SAE 360 brass ( <i>bonnet</i> )
2	OUTLET PRESSURE
1	0-25 PSIG ( <i>0-1.72 bar</i> )
2	0-50 PSIG ( <i>0-3.45 bar</i> )
3	0-100 PSIG ( <i>0-6.89 bar</i> )
4	0-250 PSIG ( <i>0-17.24 bar</i> )
5	0-500 PSIG ( <i>0-34.47 bar</i> )

3	GAUGES
C	2" diameter inlet, stainless steel wetted gauges
F	2" diameter inlet, brass wetted gauges
K	2" diameter inlet, brass wetted/chrome plated gauges
4	MAIN VALVE Cv
blank	Cv 0.08 main valve ( <i>standard</i> )
Z	Cv 0.2 main valve

Contact factory for material certifications. Fees may apply.

# ACS2500 SERIES

Automatic Changeover System



Premier ACS2500 Series automatic changeover system features: 2 Premier 2500 series regulators (one preset and one adjustable) in a compact, wall mountable system. The Premier ACS2500 Series changeover system is designed to provide a continuous flow of gas, preventing outages, and wasted gas. The hand knob can be turned after the depletion of one gas source (arrow pointing towards the line currently in service) allowing you to safely replenish the depleted source not in service. The ACS2500 features Cv 0.20 and a max inlet of 3000 PSIG (206.84 bar) (*dependent upon configuration*).

## FEATURES

- 2 Premier 2500 Series, single stage regulators
- Integrated relief valve
- 316 stainless steel diaphragms
- Stainless steel mounting bracket with four 0.34 x 1.0" slots
- Optional CGA inlet connections
- Optional stainless steel high pressure braided teflon hose
- Optional excess flow prevention valves
- Optional critical alert gauges

**SOME APPLICATIONS WILL REQUIRE A CUSTOM SOLUTION.**  
CONTACT PREMIER INDUSTRIES TO REQUEST A MODIFICATION  
OR A CUSTOM DESIGN.

## STANDARD COMPONENTS

- 2 Premier 2500 Series, single stage regulators
- Integrated relief valve
- Stainless steel mounting bracket

## SPECIFICATIONS

- **MAXIMUM INLET PRESSURE:**
  - 3000 PSIG (206.84 bar)  
(dependent upon configuration)
- **STANDARD PRESET CONTROL PRESSURE:**
  - 0-200 PSIG x 0-170 PSIG (preset)  
(0-13.79 bar x 0-11.72 bar)
- **FLOW (Cv):** 0.20

## MATERIALS OF CONSTRUCTION

- **BODY:**
  - SAE 360 Brass
  - SAE 360 Brass/Nickel Plated
  - 316 Stainless Steel
  - 6061-T6 Aluminum
- **BONNET:**
  - SAE 360 Brass
  - SAE 360 Brass/Nickel Plated
  - 6061-T6 Aluminum
- **DIAPHRAGM:** 316 Stainless Steel
- **DIAPHRAGM SEALS:** PTFE
- **MAIN VALVE SEAT:** PCTFE
- **MOUNTING BRACKET:**
  - 304 Stainless Steel
- **(Optional) HOSE:**
  - Stainless steel braided teflon
- **(Optional) CHECK VALVES:**
  - Stainless Steel (Standard)
  - SAE 360 Brass

## PORTING

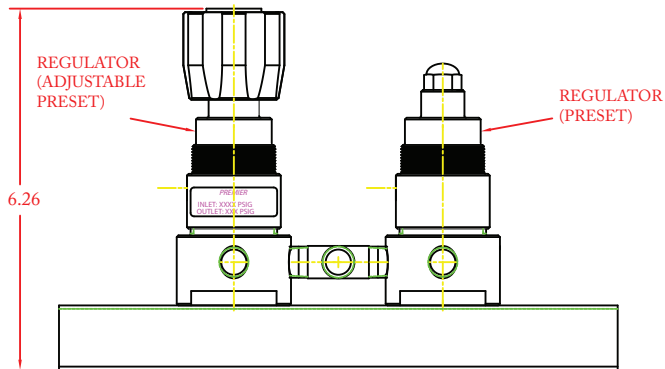
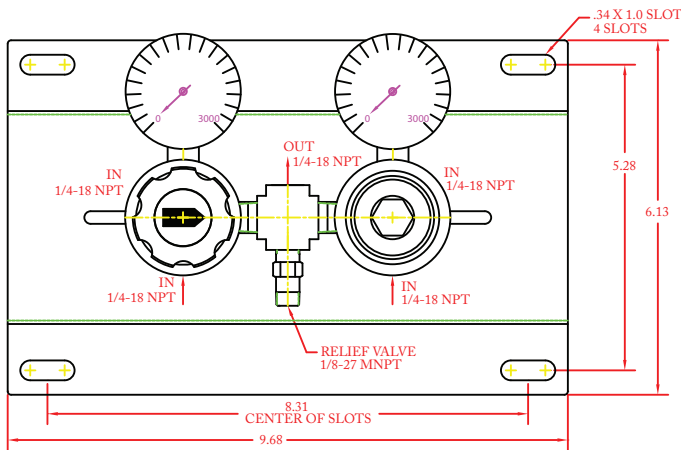
- **INLET PORTING:**
  - 1/4-18 NPT (2 places)
  - Optional CGA connections
- **OUTLET PORTING:**
  - 1/4-18 NPT

## OPTIONS

- Excess flow prevention valves
- CGA connections
- Stainless steel braided teflon hose
- Check valves in stainless steel or brass
- Hoses
- Gauges / critical alert gauges

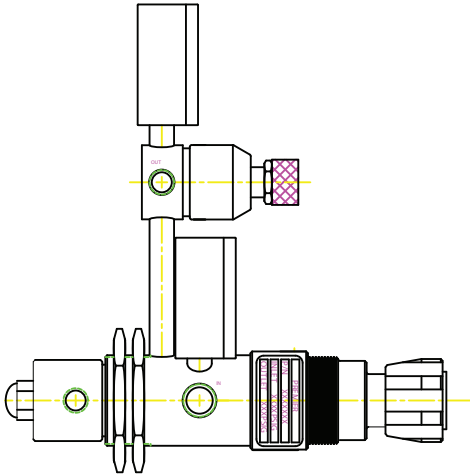
Contact factory for material certifications. Fees may apply.

**PART NUMBER: 50-12240**



# CS2300 SERIES

Changeover Panel  
With Line Regulator



The Premier CS2300 Series is an integrated changeover system which combines our changeover regulator and line regulator into a compact, complete, wall mountable system for smooth integration into your desired application. The Premier CS2300 changeover systems are designed to provide a continuous flow of gas, preventing outages, fluctuations in pressure, and wasted gas. When the primary gas source is consumed, the changeover regulator automatically draws from a secondary supply, whereafter the handknob should be turned to replenish the diminished supply (arrow pointing toward the line in service). The built in line regulator ensures a stable delivery pressure. The CS2500 features Cv 0.08 and a max inlet of 3000 PSIG (206.84 bar) (dependent upon configuration).

## FEATURES

- Premier changeover regulator
- Premier 2300 Series line regulator
- Max inlet 3000 PSIG (206.84 bar)
- Four max delivery pressures from 25 to 150 PSIG (1.72 to 10.34 bar)
- Optional Stainless steel braided teflon hose
- Optional Stainless Steel mounting Bracket with 4 holes for 1/4" screws
- Optional excess flow prevention valves
- Optional critical alert gauges

**SOME APPLICATIONS WILL REQUIRE A CUSTOM SOLUTION.**  
CONTACT PREMIER INDUSTRIES TO REQUEST A MODIFICATION  
OR A CUSTOM DESIGN.

## STANDARD COMPONENTS

- 1 - Premier changeover regulator
- 1 - Premier 2300 Series, *line regulator*
- 2 - Panel Mounting Nuts

## SPECIFICATIONS

- **MAXIMUM INLET PRESSURE:**
  - 3000 PSIG (*dependent upon configuration*)
- **LINE REGULATOR CONTROL PRESSURE SETTINGS:**
  - 0-25 PSIG (*0-1.72 bar*)
  - 0-50 PSIG (*0-3.45 bar*)
  - 0-100 PSIG (*0-6.89 bar*)
  - 0-150 PSIG (*0-10.34 bar*)
- **FLOW CAPACITY (Cv):** .08

## MATERIALS OF CONSTRUCTION

- **BODY:**
  - SAE 360 Brass
  - 316 Stainless Steel
  - 6061-T6 Aluminum/Clear Anodized
  - SAE 360 Brass/Nickel Plated
- **BONNET:**
  - SAE 360 Brass
  - SAE 360 Brass/Nickel Plated
  - 6061-T6 Aluminum/Clear Anodized
- **CHANGEOVER REGULATOR DIAPHRAGM:**
  - 316 Stainless Steel
- **LINE REGULATOR DIAPHRAGM:**
  - Neoprene
- **CHANGEOVER REGULATOR MAIN VALVE SEAT:**
  - PTFE
- **LINE REGULATOR MAIN VALVE SEAT:**
  - Viton®
- **GAUGES (Optional)**
  - 2" diameter inlet & outlet gauges, stainless steel wetted gauges
  - 2" diameter inlet & outlet gauges, chrome plated case, brass wetted gauges

## PORTING

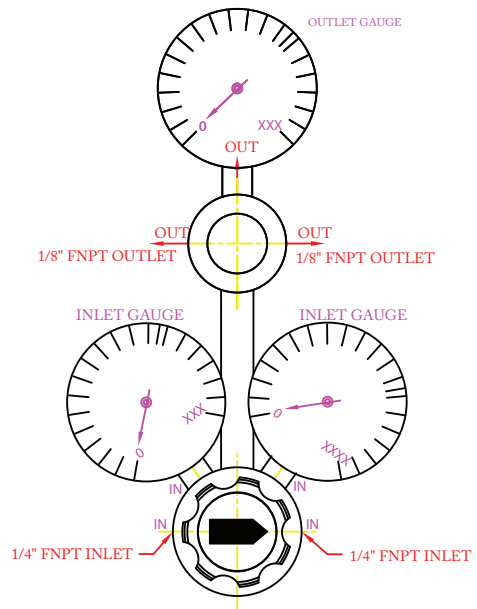
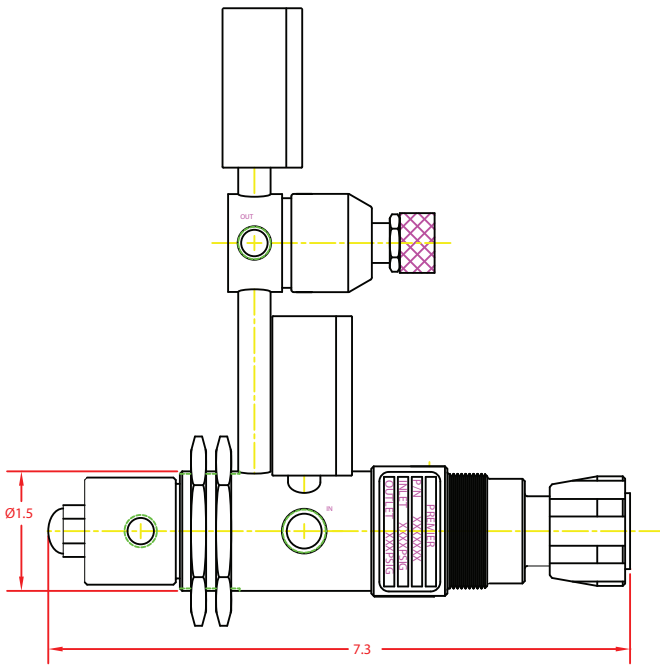
- **INLET PORTING:**
  - 1/4-18 FNPT (*2 places*)
- **OUTLET PORTING:**
  - 1/8-27 FNPT

## OPTIONS

- Excess flow prevention valves
- CGA connections
- Stainless steel braided teflon hose
- Stainless steel mounting bracket with 4 holes for 1/4" screws
- Check valves in stainless steel or brass
- Gauges / critical alert gauges

*Viton® is a registered trademark of E.I. duPont de Nemours and Company*

PART NUMBER: 50-11491





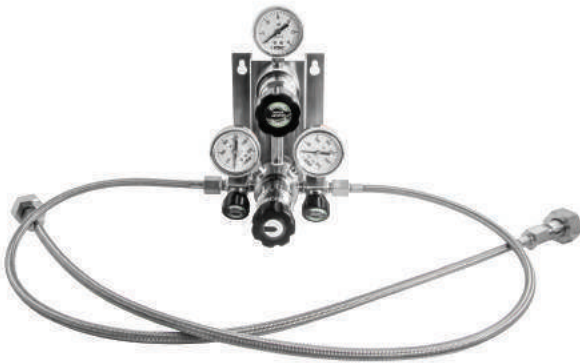
PART #	-	1	2	3
50-11491	-			

<b>1</b>	<b>BODY MATERIAL</b>
1	SAE 360 Brass
2	316 Stainless Steel
3	6061-T6 Aluminum, <i>Clear anodized</i>
4	SAE 360 Brass, <i>Nickel Plated</i>
<b>2</b>	<b>OUTLET PRESSURE</b>
1	0-25 PSIG ( <i>0-1.72 bar</i> )
2	0-50 PSIG ( <i>0-3.45 bar</i> )
3	0-100 PSIG ( <i>0-6.89 bar</i> )
4	0-150 PSIG ( <i>0-10.34 bar</i> )
<b>3</b>	<b>FACTORY SET RELIEF PRESSURE IN PSIG / 10</b>
C	2" diameter inlet & outlet stainless steel wetted gauges
J	2" diameter inlet & outlet chrome plated, brass wetted gauges

*Contact factory for material certifications. Fees may apply.*

# CS2500 SERIES

Changeover Panel  
With Line Regulator



The Premier CS2500 Series changeover system combines one Premier changeover regulator, and one Premier 2500 Series line regulator into a compact, wall mountable system. The Premier CS2500 Series changeover system supplies a continuous flow during cylinder changeover. When the primary gas source is consumed, the changeover regulator automatically draws from a secondary supply, thereby preventing outages, fluctuations in pressure, and wasted gas. The hand knob can be turned after the depletion of one gas source (arrow pointing towards the line currently in service) allowing you to safely replenish the depleted source not in service. The built in line regulator ensures a stable delivery pressure. The CS2500 features Cv 0.08 and a max inlet of 3000 PSIG (206.84 bar) (*dependent upon configuration*).

## FEATURES

- 1 Premier changeover regulator
- 1 Premier 2500 series line regulator
- 2 Check valves in stainless steel or Brass
- 1 Stainless Steel mounting Bracket with 4 holes for 1/4" screws
- Stainless steel diaphragms minimize inboard diffusion
- Optional excess flow prevention valves
- Optional integrated outlet shut off valve
- Optional critical alert gauges

**SOME APPLICATIONS WILL REQUIRE A CUSTOM SOLUTION.**  
CONTACT PREMIER INDUSTRIES TO REQUEST A MODIFICATION  
OR A CUSTOM DESIGN.

## STANDARD COMPONENTS

- 1 Premier changeover regulator
- 1 Premier 2500 Series line regulator
- 1 Stainless Steel mounting Bracket with 4 holes for 1/4" screws
- 2 Check valves in Stainless Steel or Brass

## SPECIFICATIONS

- **MAXIMUM INLET PRESSURE:**
  - 3000 PSIG  
(dependent upon configuration)
- **STANDARD PRESET CONTROL PRESSURE:**
  - 0-10 PSIG (0-0.69 bar)
  - 0-25 PSIG (0-1.72 bar)
  - 0-50 PSIG (0-3.45 bar)
  - 0-100 PSIG (0-6.89 bar)
  - 0-250 PSIG (0-17.24 bar)
  - 0-500 PSIG (0-34.47 bar)

## MATERIALS OF CONSTRUCTION

- **BODY:**
  - SAE 360 Brass
  - 316 Stainless Steel
  - 6061-T6 Aluminum, Clear Anodized
  - SAE 360 Brass, Nickel Plated
- **BONNET:**
  - SAE 360 Brass
- **DIAPHRAGMS:** 316 Stainless Steel
- **DIAPHRAGM SEALS:** PTFE
- **MAIN VALVE SEATS:** PTFE
- **MOUNTING BRACKET:**
  - 304 Stainless Steel
- **CHECK VALVE:**
  - Stainless Steel (Standard)
  - SAE 360 Brass
- **(Optional) HOSE:**
  - Stainless steel braided PTFE

## PORTING

- **INLET PORTING:** 1/4-18 FNPT
- **OUTLET PORTING:** 1/4-18 FNPT
- **CGA CYLINDER CONNECTIONS AVAILABLE:**
  - CGA350
  - CGA 590
  - CGA 660
  - CGA 705
  - CGA 330

## OPTIONS

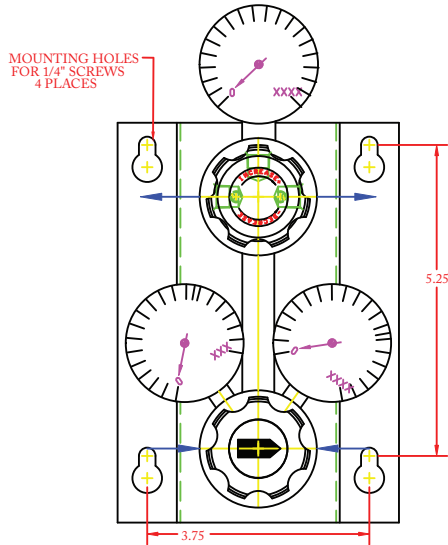
- Excess flow prevention valves
- Hoses
- CGA connections
- Gauges / critical alert gauges
- Integrated outlet shut off valve
- Inlet shut off valves (stainless steel w/ Viton® seals)

Viton® are registered trademarks of E.I. duPont de Nemours and Company.

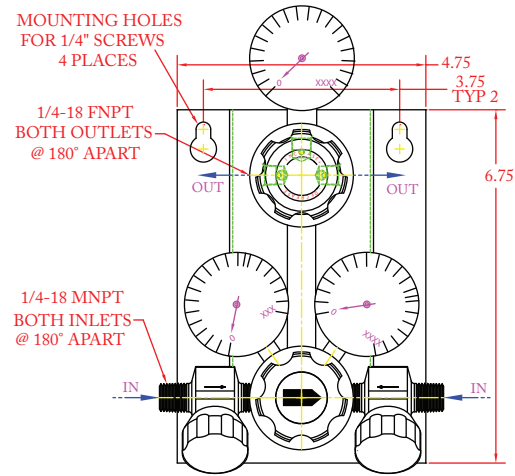
# CS2500 SERIES

Changeover Panel  
With Line Regulator

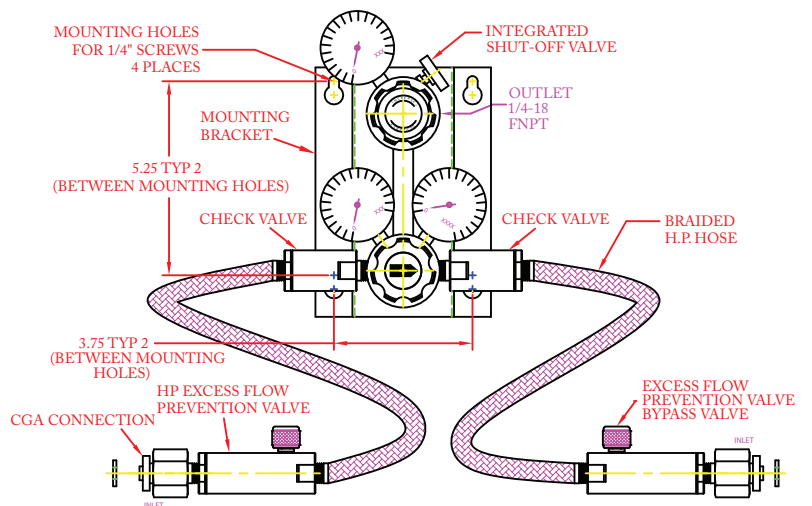
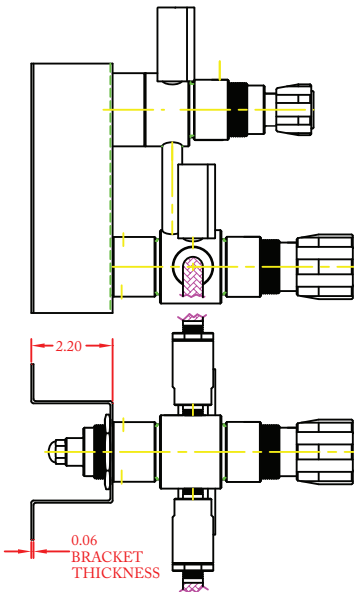
**PART NUMBER: 50-11546**



**PART NUMBER: 50-11800**



**PART NUMBER: 50-12013**



PART #	-	1	2	3	4
50-11546	-				

1	BODY & BONNET MATERIALS
2	316 Stainless Steel Body <i>Cleaned per spec #515</i> Brass Nickel Plated Bonnet
3	Aluminum Clear Anodized Body and Bonnet
5	SAE 360 Brass Nickel Plated Body and Bonnet
8	SAE 360 Brass Body and Bonnet
2	OUTLET PRESSURE
1	0-25 psig <i>(0-103.4 bar)</i>
2	0-50 psig <i>(0-172.4 bar)</i>
3	0-100 psig <i>(0-413.7 bar)</i>
4	0-250 psig <i>(0-689.5 bar)</i> <i>(stainless steel only)</i>
5	0-500 psig <i>(0-206.8 bar)</i>

3	GAUGES
C	2" diameter inlet and outlet stainless steel wetted gauges
F	2" diameter inlet and outlet brass wetted gauges
4	MAIN VALVE Cv <i>(Optional)</i>
BLANK	Cv 0.08 main valve <i>(standard)</i>
Z	Cv 0.2 main valve

*Contact factory for material certifications.  
Fees may apply.*

# M2500 SERIES

## Manifold with Single Stage Regulator



Premier M2500 manifolds provide easy point of use installation to one or two cylinders. Premier M2500 Series manifolds are available in both stainless steel and brass, to accommodate use with a broad range of non-corrosive and corrosive media.

Standard M2500 Series manifolds include: one 2500 Series single stage regulator, one stainless steel mounting bracket, check valve(s), and optional excess flow prevention valves, hoses, integrated shut off valves and cga connections. The M2500 Series manifold provides everything you need in one compact assembly.

## FEATURES

- Premier 2500 Series, single stage regulator
- Stainless Steel mounting Bracket with 4 holes for 1/4" screws
- Check valve(s) (*standard*)
- Optional pigtails/hoses (for service to one or two cylinders)
- Optional integrated Shut Off Valve
- Optional CGA inlet connections
- Optional excess flow prevention valves
- Optional critical alert gauges

**SOME APPLICATIONS WILL REQUIRE A CUSTOM SOLUTION.**  
CONTACT PREMIER INDUSTRIES TO REQUEST A MODIFICATION  
OR A CUSTOM DESIGN.

### STANDARD COMPONENTS

- 1 Premier 2500 Series, two stage regulator
- 1 Stainless Steel mounting Bracket with 4 holes for 1/4" screws
- Check valve(s) in brass or stainless steel

### SPECIFICATIONS

- **MAXIMUM INLET PRESSURE:**
  - 3000 PSIG (206.84 bar)  
(dependent upon configuration)
- **STANDARD PRESET CONTROL PRESSURE:**
  - 0-100 PSIG  
(0-6.89 bar)
- **MAX PROCESS FLOW RATE:** 3.5 SLPM

### MATERIALS OF CONSTRUCTION

- **BODY OPTIONS:**
  - body diameters of 1.5", 1.75", and 2.0"
  - SAE 360 Brass, Bright Dip
  - SAE 360 Brass, Nickel Plated
  - 316 Stainless Steel
- **SEALS:**
  - PTFE
  - Viton A®
- **MOUNTING BRACKET:**
  - 304 Stainless Steel
- **PIGTAIL/HOSE OPTIONS:**
  - Single cylinder
  - Dual cylinder
- **CHECK VALVE:**
  - SAE 360 Brass, Viton® Seal (Standard)
  - Stainless Steel

### PORTING

- **INLET PORTING:**
  - 1/4-18 FNPT
- **CYLINDER CONNECTIONS AVAILABLE:**
  - CGA 350, 590, 660, 705, 330, 580
- **OUTLET PORTING:**
  - 1/4-18 FNPT

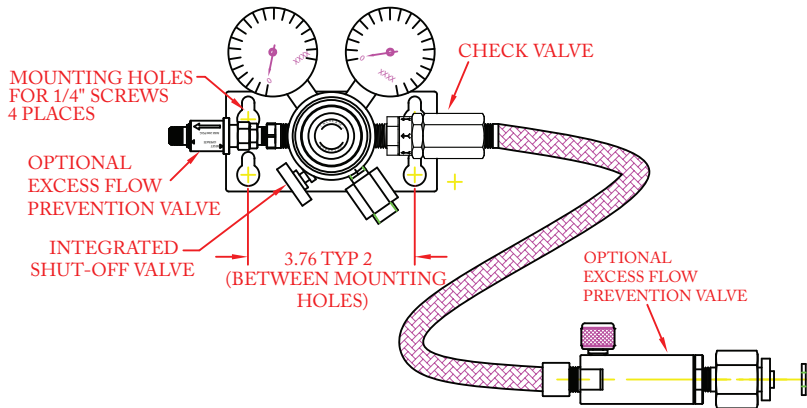
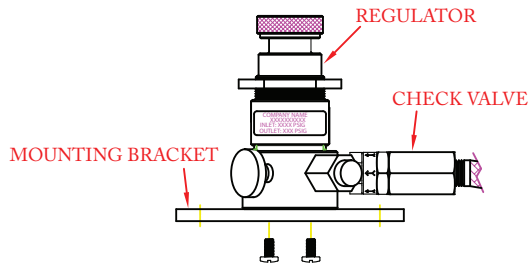
### OPTIONS

- Excess flow prevention valves
- CGA connections
- Hose pigtails (for service to one or two cylinders)
- Integrated shut-off valve
- Gauges / critical alert gauges

*Viton® is a registered trademark of E.I. duPont de Nemours and Company*

*Contact factory for material certifications.  
Fees may apply.*

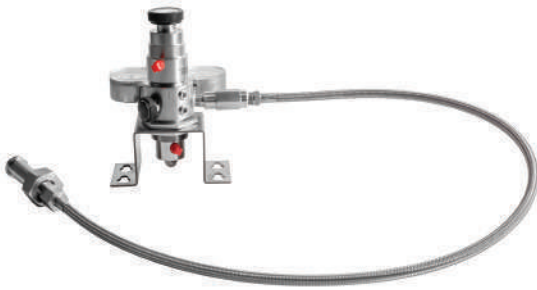
PART NUMBER: 50-12099





# M4500 SERIES

Manifold with Two Stage Regulator



Premier M4500 manifolds provide easy point of use installation to one or two cylinders. Premier M4500 Series manifolds are available in both stainless steel and brass, to accommodate use with a broad range of non-corrosive and corrosive media.

Standard M4500 Series manifolds include: one 4500 Series two stage regulator, one stainless steel mounting bracket, one check valve, and optional excess flow prevention valves, hoses, integrated shut off valves and CGA connections. The M4500 Series manifold provides everything you need in one compact assembly.

## FEATURES

- Premier 4500 Series, two stage regulator
- Stainless Steel mounting Bracket with 4 holes for 1/4" screws
- Check valve(s) (*standard*)
- Optional pigtails/hoses (for service to one or two cylinders)
- Optional integrated Shut Off Valve
- Optional CGA inlet connections
- Optional excess flow prevention valves
- Optional critical alert gauges

**SOME APPLICATIONS WILL REQUIRE A CUSTOM SOLUTION.**  
CONTACT PREMIER INDUSTRIES TO REQUEST A MODIFICATION  
OR A CUSTOM DESIGN.

### STANDARD COMPONENTS

- 1 Premier 4500 Series, two stage regulator
- 1 Stainless Steel mounting Bracket with 4 holes for 1/4" screws
- Check valve(s) in brass or stainless steel

### SPECIFICATIONS

- **MAXIMUM INLET PRESSURE:** 3000 PSIG  
(206.84 bar)  
*(dependent upon configuration)*
- **CONTROL PRESSURE RANGES:**
  - 1-25 PSIG (0.07-1.72 bar)
  - 1-50 PSIG (0.07-3.45 bar)
  - 5-100 PSIG (0.34-6.89 bar)
- **FLOW (Cv):** 0.08

### MATERIALS OF CONSTRUCTION

- **BODY & BONNET OPTIONS:**
  - SAE 360 Brass, Bright Dip
  - SAE 360 Brass, Electroless Nickel Plated
  - 316 Stainless Steel
- **DIAPHRAGM OPTIONS:**
  - Neoprene
  - 316 Stainless Steel
- **SEALS:**
  - PTFE
  - Viton A®
- **MOUNTING BRACKET:**
  - 304 Stainless Steel
- **PIGTAIL/HOSE OPTIONS:**
  - Single cylinder
  - Dual cylinder
- **CHECK VALVE OPTIONS:**
  - SAE 360 Brass, Viton® Seal (Standard)
  - Stainless Steel

### PORTING

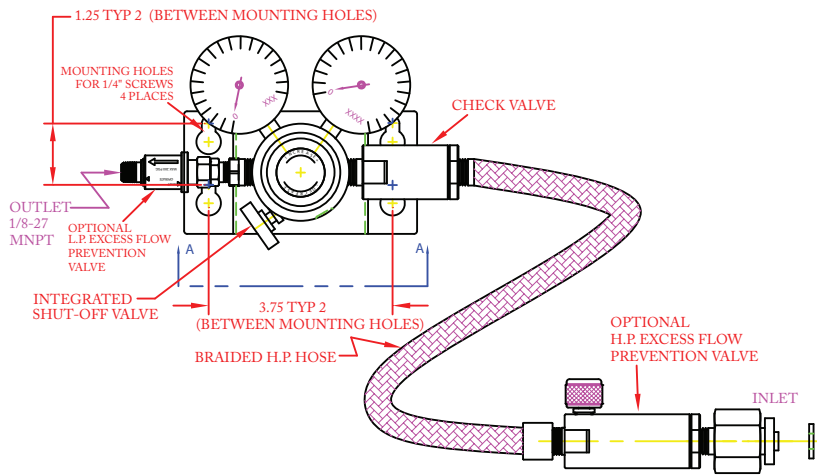
- **INLET PORTING:**
  - 1/4-18 FNPT
- **CYLINDER CONNECTIONS AVAILABLE:**
  - CGA 350,590, 660, 705, 330
- **OUTLET PORTING:**
  - 1/4-18 FNPT

### OPTIONS

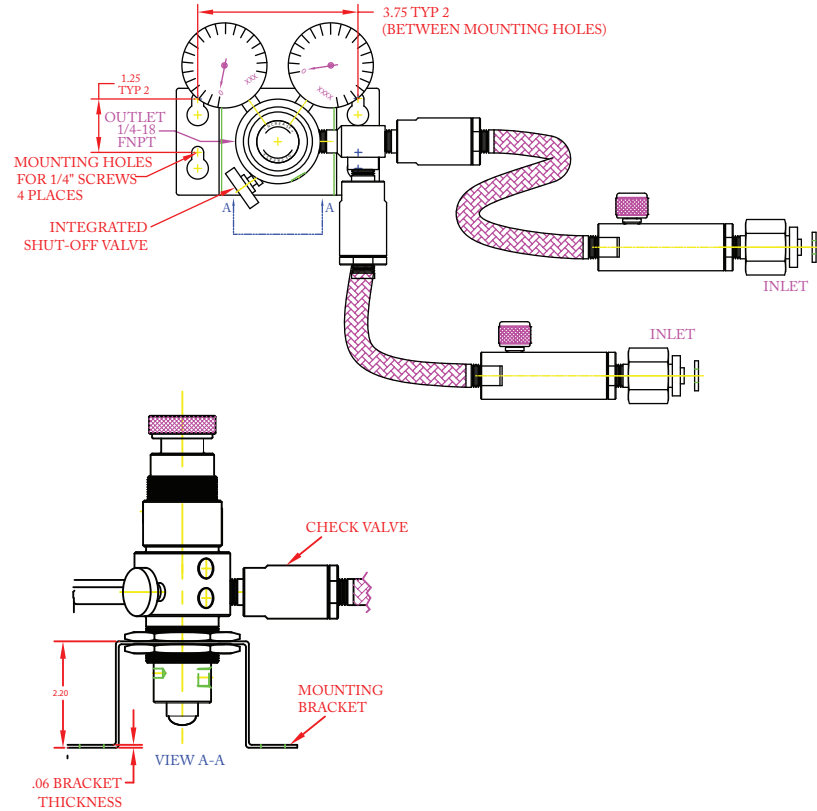
- Excess flow prevention valves
- CGA connections
- Hose pigtails (for service to one or two cylinders)
- Integrated shut-off valve
- Gauges / critical alert gauges

*Viton® is a registered trademark of E.I.duPont de Nemours and Company  
Contact factory for material certifications. Fees may apply.*

**PART NUMBER: 50-12015**



**PART NUMBER: 50-12012**



ACCESSORIES

# ACCESSORIES

# SAMPLING CYLINDERS

With Integrated Shut Off Valves



Premier Sampling Cylinders are designed to provide a safe and reliable solution for a variety of liquid and gas storage, transportation, sampling, and analysis needs. Common applications include: sampling for gas chromatography, hydrocarbon sampling in refineries/petrochemical plants, snubbers in reactive feed lines, and condensate sampling in fossil fuel and nuclear power plants.

Premier sampling cylinders feature seamless 316 stainless steel construction, allowing for consistent wall thickness/internal volume, and increased corrosion resistance and integrity. All cylinders have 1/4-18" NPT connections on each end, which integrate seamlessly with Premier's stainless steel inlet and outlet shut off valves (optional burst discs, and relief valves available).

## FEATURES

- Seamless 316 stainless steel cylinders
- Consistent wall thickness and internal volume
- 316 stainless steel inlet and outlet valves
- Optional pressure relief devices
- Optional SilcoNert® coating
- Very competitive pricing
- Models are available for both corrosive and non-corrosive service
- Machined bar stock valve bodies eliminate porosity found in castings

**SOME APPLICATIONS WILL REQUIRE A CUSTOM SOLUTION.**  
CONTACT PREMIER INDUSTRIES TO REQUEST A MODIFICATION  
OR A CUSTOM DESIGN.

## SPECIFICATIONS

- **MAXIMUM PRESSURE RATINGS:**
  - **Cylinders:** 1800 PSIG (124.11 bar)
  - **Shut-off valves:** 3000 PSIG (206.84 bar)
  - **Pressure relief device:**
    - up to 1800 PSIG (124.11 bar)  
(see porting)

*\*\*Always configure pressure rating to the component with the lowest rating*
- **CYLINDER INTERNAL VOLUME:**
  - 50 cc, 150cc, 300cc, 500cc

## MATERIALS OF CONSTRUCTION

- **CYLINDER, VALVE BODIES & VALVE NUTS:**
  - 316 Stainless Steel
- **VALVE STEM:** 17-4 H900 Stainless Steel
- **BURST DISK:** 316L Stainless Steel
- **BURST DISK SEAL:**
  - PTFE coated 316 Stainless Steel
- **DIP TUBES:** 316 Stainless Steel
- **VALVE SEATS:** PCTFE
- **O-RINGS:** Viton® and EPDM
- **BACK-UP RING:** PTFE
- **NON-WETTED PARTS:**
  - 300 Series Stainless Steel
  - 6061-T6 Aluminum
- **OPTIONAL RELIEF VALVE:**
  - 316 Stainless Steel
- **RELIEF VALVE SEAT:** PCTFE

## PORTING

- **OUTLET VALVE:**
  - 1/4" MNPT, no burst disk
  - 1/4" FNPT, no burst disk
  - 1/4" MNPT, 1700 PSIG (117.21 bar) burst disk
  - 1/4" FNPT, 1700 PSIG (117.21 bar) burst disk
  - 1/4" MNPT, 1800 PSIG (124.11 bar) relief valve
  - 1/4" FNPT, 1800 PSIG (124.11 bar) relief valve
- **INLET VALVE:**
  - 1/4" MNPT
  - 1/4" FNPT

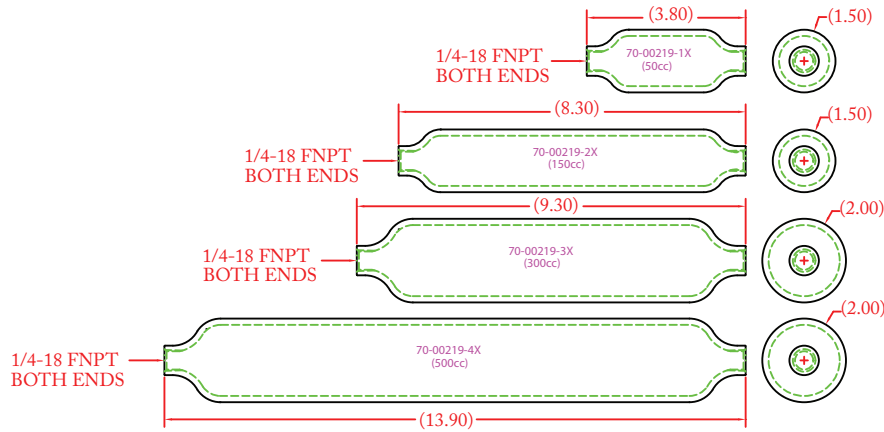
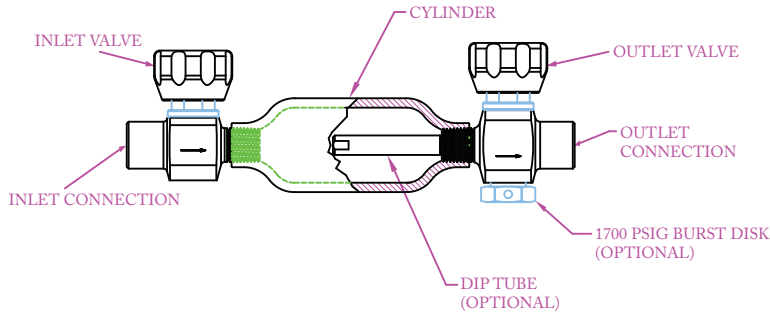
## OPTIONS

- 1700 PSIG (117.21 bar) burst disk
- Dip tube
- Relief valve
- Optional SilcoNert® coating  
(valves, cylinders, and pressure relief devices)

Viton® is a registered trademark of E.I. duPont de Nemours and Company

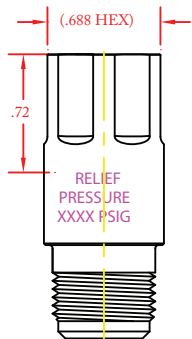
Contact factory for material certifications.  
Fees may apply.

**PART NUMBER: 70-00220-XX1242**



**PART NUMBER: 70-00217**

*Optional Relief Valve*



PART #	-	1	2	3	4	5	6
70-00220	-						

1	METAL FINISHING
N	None
S	Silconert 2000®
2	O-RING MATERIAL
E	EPDM
V	Viton®
3	CYLINDER SIZE & MANUFACTURER
1	50 CC (LUXFER)
2	150 CC (LUXFER)
3	300 CC (LUXFER)
4	500 CC (LUXFER)
5	150 CC (ISGAS)

4	INLET VALVE
1	1/4" MNPT inlet connection
2	1/4" FNPT inlet connection
5	OUTLET VALVE
1	1/4" MNPT inlet connection (no burst disc)
2	1/4" FNPT inlet connection (no burst disc)
3	1/4" MNPT inlet connection (1700 psig burst disc)
4	1/4" FNPT inlet connection (1700 psig burst disc)
5	1/4" MNPT inlet connection (1800 psig relief valve)
6	1/4" FNPT inlet connection (1800 psig relief valve)

6	DIP TUBE
Blank	None
2	2.00"
3	3.75"

Viton® is a registered trademark of E.I. duPont de Nemours and Company  
 SilcoNert® is a registered trademark of SilcoTek

Contact factory for material certifications.  
 Fees may apply.



# CYLINDER HOLDERS

Heavy HPDE Base + Nylon Strap



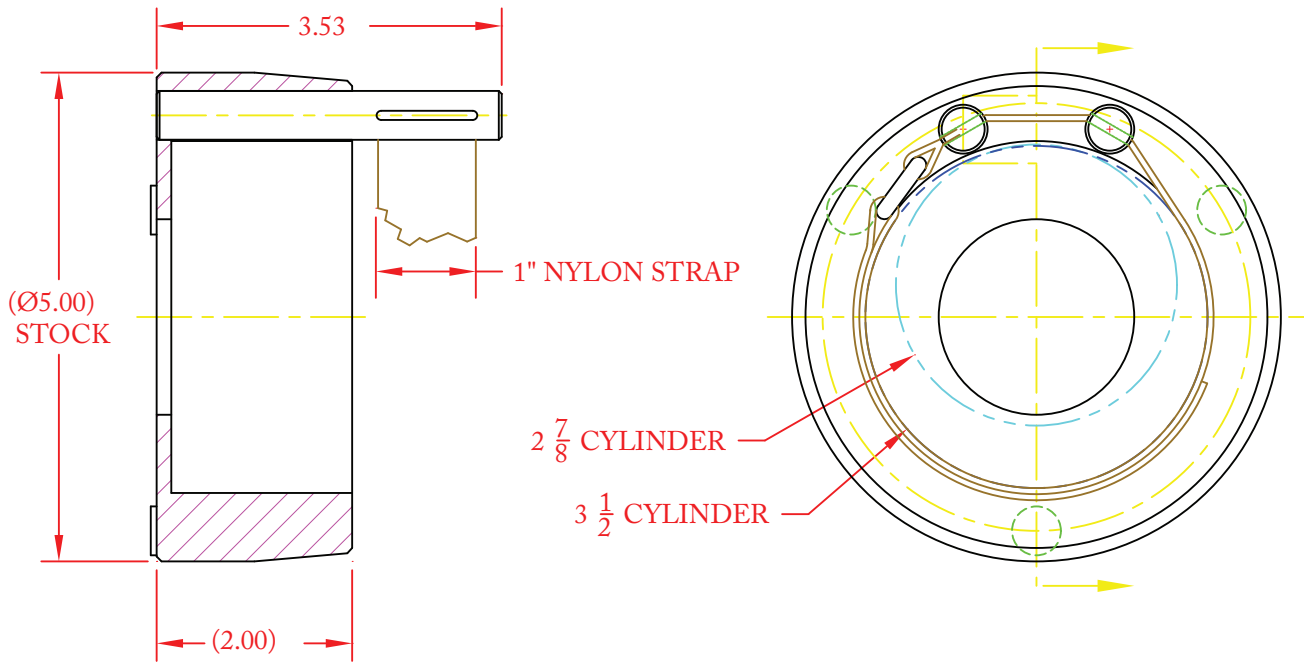
Premier Adjustable Cylinder Holders provide a safe and stable place for the storage of your gas cylinders. Portable, safe, and reliable for gas cylinders from 2 $\frac{7}{8}$ " to 3 $\frac{1}{2}$ "

## FEATURES

- Very competitive pricing
- 1" hook and loop, nylon cinching strap
- Heavy HPDE Base

**SOME APPLICATIONS WILL REQUIRE A CUSTOM SOLUTION.**  
CONTACT PREMIER INDUSTRIES TO REQUEST A MODIFICATION  
OR A CUSTOM DESIGN.

PART NUMBER: 70-00124



# PANEL MOUNTING BRACKET

Stainless Steel, Aluminum Black Anodized, ABS



Premier Heavy Duty Panel Mounting Brackets secure tightly around the bodies of a variety of our high pressure series regulators to safely secure your regulator with two mounting holes. We offer three different designs: one for all 2.12" diameter bodies, one for larger 2.505" diameter bodies, and one for smaller 1.75" diameter bodies.

## FEATURES

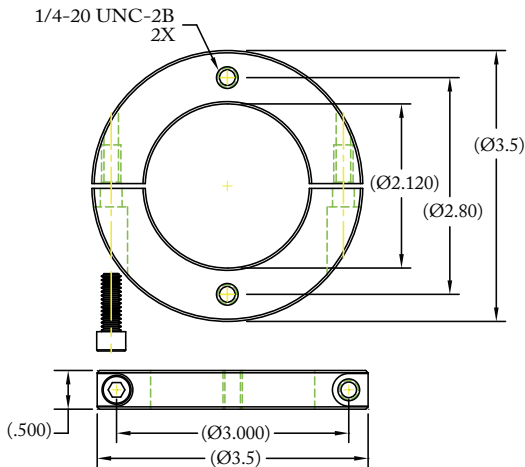
- Models available in 303 Stainless Steel, 6061-T6 Aluminum black anodize, and ABS.

**SOME APPLICATIONS WILL REQUIRE A CUSTOM SOLUTION.**  
CONTACT PREMIER INDUSTRIES TO REQUEST A MODIFICATION  
OR A CUSTOM DESIGN.

# PANEL MOUNTING BRACKET

Stainless Steel, Aluminum Black Anodized, ABS

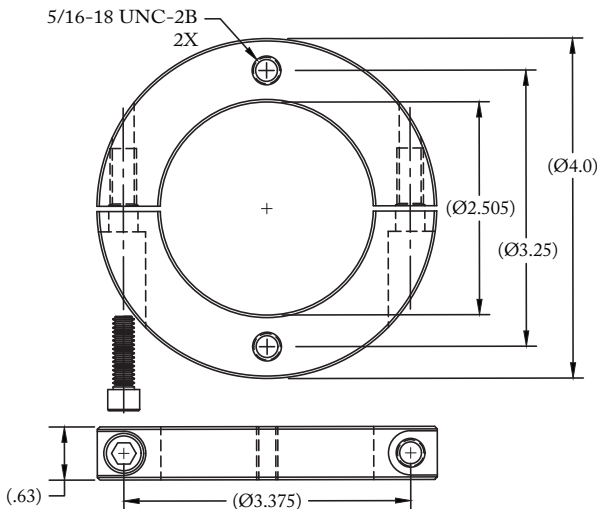
## PART NUMBER: 30-10059



## P/N 30-10059: 2.12 DIAMETER BODIES

Premier 3000 Series	Premier 6000 Series
Premier 3000AL Series	Premier 6000AL Series
Premier 3000DL Series	Premier 6000DL Series
Premier 3016 Series	Premier 6020 Series
Premier 3020 Series	Premier 6023 Series
Premier 3023 Series	Premier 6023AL Series
Premier 3023AL Series	Premier 6023DL Series
Premier 3023DL Series	Premier 6100 Series
Premier 3100 Series	Premier 6100AL Series
Premier 3100AL Series	Premier 6123 Series
Premier 3123 Series	Premier 6123AL Series
Premier 3123AL Series	

## PART NUMBER: 30-10500



## P/N 30-10500: 2.505 DIAMETER BODIES

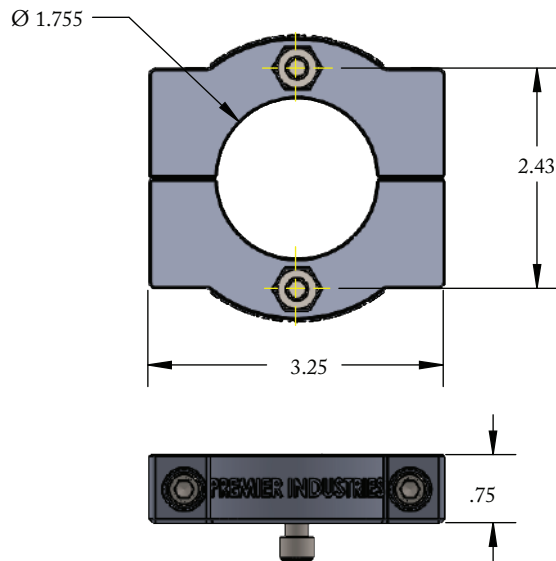
Premier 3025 Series  
 Premier 3025AL Series  
 Premier 3125 Series  
 Premier 6025 Series  
 Premier 6025AL Series  
 Premier 6125 Series

# PANEL MOUNTING BRACKET

Stainless Steel, Aluminum Black Anodized, ABS

PART NUMBER: 30-10891

P/N 30-10891: 1.73 DIAMETER BODIES



Premier 3500 Series  
Premier 3560 Series  
Premier 4600 Series  
Premier 6250DLB Series  
Premier 6500 Series  
Premier 6560 Series

# PIERCING ADAPTERS

For Compressed Gas Cartridges



Premier piercing adapters are designed for use with a wide range of Premier Industries regulators; these adapters thread into a 1/4" or 1/8" FNPT port to enable use with threaded and unthreaded disposable gas cartridges. The threaded adapter is available in 4 standard sizes for compatibility with a variety of threaded disposable gas cartridges. The unthreaded cartridge adapter features a black anodized cartridge cup to house the unthreaded cartridge. Each adapter features a stainless steel piercing tip, and standard 1/4" or 1/8" MPNT outlet connection.

## FEATURES

- Stainless steel piercing tip
- 1/4" or 1/8" MNPT outlet connection
- 4 standard threaded cartridge adapter sizes
- Stainless steel body
- Polyurethane cartridge seal
- Optional cartridge cup

**SOME APPLICATIONS WILL REQUIRE A CUSTOM SOLUTION.**  
CONTACT PREMIER INDUSTRIES TO REQUEST A MODIFICATION  
OR A CUSTOM DESIGN.

## MATERIALS OF CONSTRUCTION

- **BODY:**
  - 303 Stainless Steel
- **CARTRIDGE ADAPTER** (*optional*):
  - SAE 360 Brass
- **CARTRIDGE SEAL:**
  - Polyurethane
- **PIERCING TIP:**
  - 303 Stainless Steel
- **CARTRIDGE CUP** (*optional*):
  - 6061-T6 Aluminum, Black Anodized

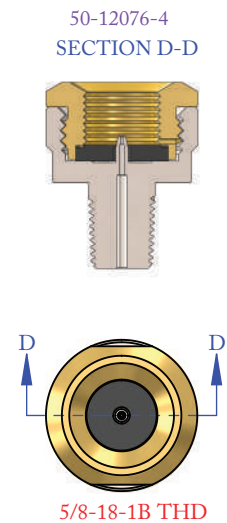
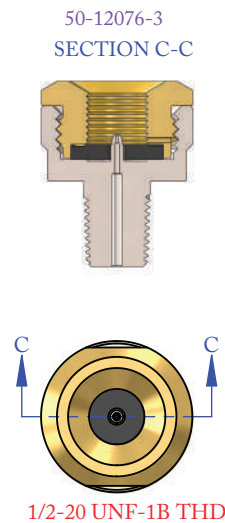
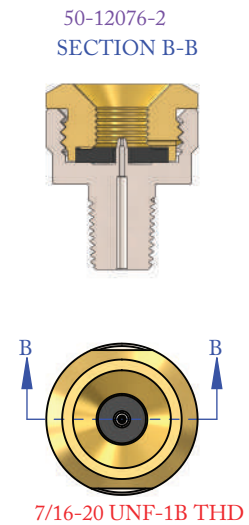
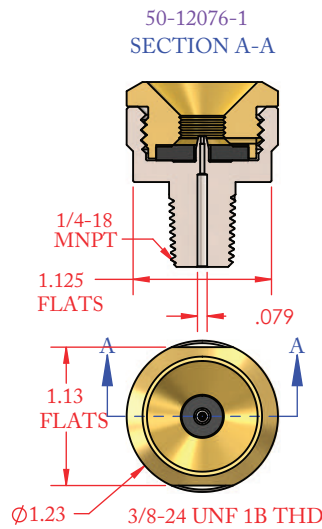
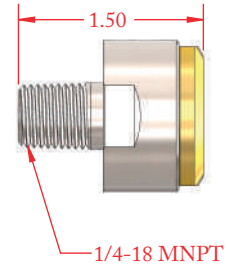
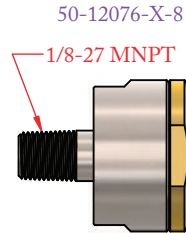
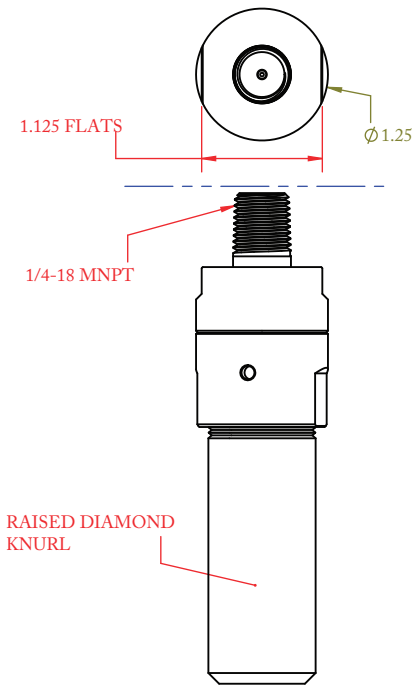
## PORTING/ACCESSORIES

- **CARTRIDGE CONNECTION** (*optional*):
  - 3/8-24 UNF-1B
  - 7/16-20 UNF-1B
  - 1/2-20 UNF-1B
  - 5/8-18 UNF-1B
- **CARTRIDGE CUP ADAPTER** (*optional*):
  - 16g CO<sub>2</sub> Cartridges
- **OUTLET:**
  - 1/4" MNPT
  - 1/8" MNPT

# PIERCING ADAPTERS

For Compressed Gas Cartridges

**PART NUMBER: 50-12080**  
cartridge cup adapter





PART #	-	1	-	2
50-12076	-		-	

## THREADED PIERCING ADAPTERS

1	CARTRIDGE CONNECTION
1	3/8-24 UNF-1B
2	7/16-20 UNF-1B
3	1/2-20 UNF-1B
4	5/8-18 UNF-1B
2	BODY PORTING
Blank	1/4" MNPT
8	1/8" MNPT

# PIERCING ADAPTERS

For Compressed Gas Cartridges

<b>PART #</b>	-	1	2
50-12080	-		

## UNTHREADED PIERCING ADAPTERS

<b>1</b>	<b>CUP ADAPTER</b>
1	16g CO <sub>2</sub> Cartridges
<b>2</b>	<b>OUTLET PORTING</b>
1	1/4" MNPT
8	1/8" MNPT



*C10*  
*devalving tool*

Premier devalving tools provide an effective tool to dislodge/disable valves on empty gas cylinders, thus providing the safe evacuation of excess gas before recycling or disposing of the cylinder.



*CGA 600*  
*devalving tool*

We recommend devalving tools be used on empty cylinders, though ports on the devalving tool will allow any residual or excess gas to be expelled safely.

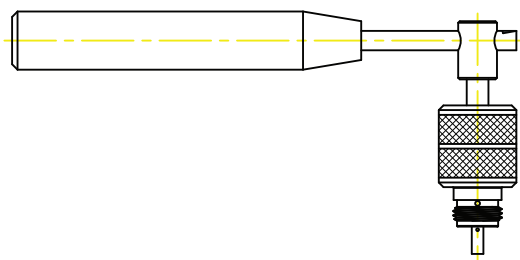
## FEATURES

- C10 and CGA 600 connections available
- 303 stainless steel construction

**SOME APPLICATIONS WILL REQUIRE A CUSTOM SOLUTION.**  
CONTACT PREMIER INDUSTRIES TO REQUEST A MODIFICATION  
OR A CUSTOM DESIGN.

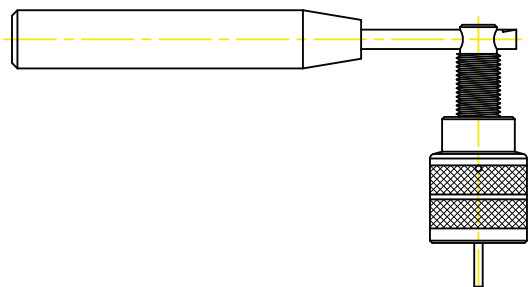
**PART NUMBER: 50-10777-1**

*C10*



**PART NUMBER: 50-10777-2**

*CGA 600*



763.786.4020

[sales@premierind.us](mailto:sales@premierind.us)

[WWW.PREMIERIND.US](http://WWW.PREMIERIND.US)

