

2100 SERIES

Compact, Diaphragm Sensed
Back Pressure Regulators



Premier 2100 series back pressure regulators are precision, highly repeatable, diaphragm sensed regulators useful for numerous industrial and R&D controls, monitors, and systems. Premier 2100 Series regulators have a max relief pressure of 500 PSIG (34.5 bar), and are fitted with Elgiloy® diaphragms. These regulators are available in a variety of materials for the regulation of a broad range of media.

FEATURES

- Max relief pressure: 500 PSIG (34.5 bar)
- Elgiloy® diaphragm
- Cv: 0.14, or 0.2
- Optional metal to metal seal ensures gas purity and integrity
- Very competitive pricing
- Machined bar stock body, and bonnet eliminates porosity found in castings
- Models are available for both corrosive and non-corrosive service
- Numerous optional features available

SOME APPLICATIONS WILL REQUIRE A CUSTOM SOLUTION.
CONTACT PREMIER INDUSTRIES TO REQUEST A MODIFICATION
OR A CUSTOM DESIGN.

SPECIFICATIONS

- **MAXIMUM CONTROL PRESSURE:**
 - 500 PSIG (34.5 bar)
- **FLOW (Cv):** 0.14, or 0.2

MATERIALS OF CONSTRUCTION

- **BODY OPTIONS:**
 - 316 Stainless Steel
 - 303 Stainless Steel
 - SAE 360 Brass
 - Duplex 2205
- **BONNET OPTIONS:**
 - 303 Stainless Steel
 - 2024 Aluminum
- **DIAPHRAGM:**
 - Elgiloy® (standard)
- **DIAPHRAGM SEAL :**
 - PTFE
- **VALVE SEAT:**
 - PFA
- **O-RING OPTIONS:**
 - Viton®
 - BUNA-N
 - EPDM
 - PTFE

PORTING

- **STANDARD INLET:**
 - 1/4" FNPT
- **OPTIONAL INLETS:**
 - 1/4" SAE AS5202 (See P/N: 50-11998A)
- **STANDARD OUTLET:**
 - 1/4" FNPT
- **OPTIONAL OUTLETS:**
 - 1/4" SAE AS5202 (See P/N: 50-11998A)
- **OPTIONAL INLET GAUGE PORT:**
 - 1/8" FNPT

OPTIONS

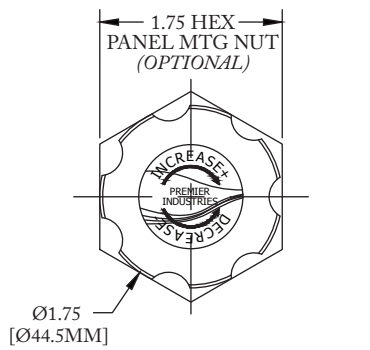
- Gauges
- Tamper resistant acorn nut
- Panel mounting nut (P/N: 50-11305)
- Private Label

Viton® is a registered trademark of E.I. duPont de Nemours and Company

Elgiloy® is a registered trademark of Elgiloy Specialty Metals Division, Combined Metals of Chicago L.L.C.

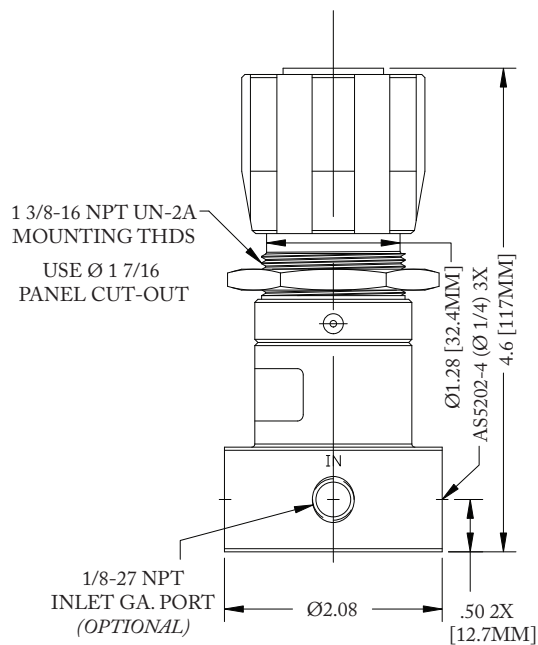
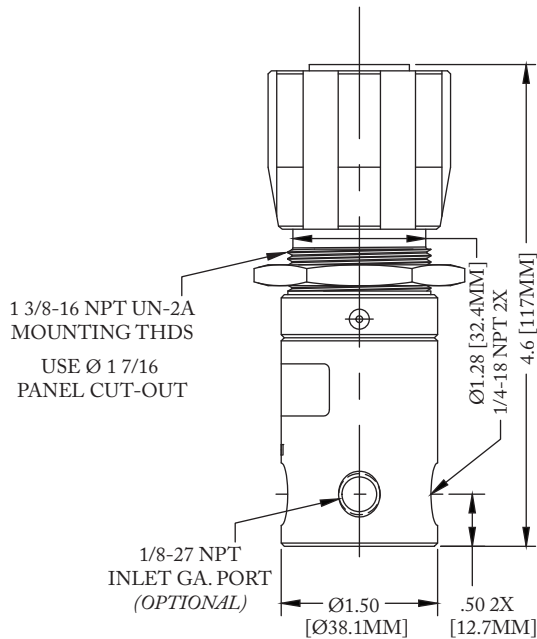
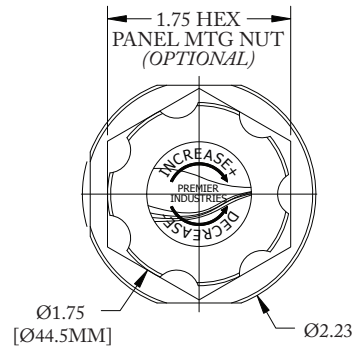
PART NUMBER: 50-11998

Standard design, 1/4" FNPT inlet/outlet ports



PART NUMBER: 50-11998A

1/4" SAE AS5202 inlet/outlet ports



2100 SERIES

Compact, Diaphragm Sensed
Back Pressure Regulators

PART #	-	1	2	3	-	4 5	-	6 7	-	MODS
50-11998	-				-		-		-	

1/4" FNPT INLET /
OUTLET PORTS

1	BODY/BONNET MATERIALS (MAX. INLET PRESSURE)
B	SAE 360 Brass (<i>body</i>) 2024 Aluminum(<i>bonnet</i>)
0	316 Stainless Steel (<i>body</i>) 303 Stainless Steel (<i>bonnet</i>)
1	303 Stainless Steel (<i>body & bonnet</i>)
2	Duplex 2205 (<i>body</i>) 303 Stainless Steel (<i>bonnet</i>)
2	MAX CONTROL PRESSURE
B	25 PSIG / 1.72 bar
A	50 psig / 3.45 bar
1	100 PSIG / 6.89 bar
2	250 PSIG / 17.24 bar
3	300 PSIG / 20.68 bar
5	500 PSIG / 34.47 bar
3	FLOW (Cv)
1	Cv 0.14
2	Cv 0.2

4 5	O-RING SEALS
00	BUNA-N
02	VITON®
03	PTFE
05	EPDM
6 7	INLET GAUGE PORT (1/8" FNPT, optional)
Blank	None
PN	Port only, no gauge
PO	Port with 60 PSI gauge
P1	Port with 100 PSI gauge
P2	Port with 200 PSI gauge
P6	Port with 600 PSI gauge

MODIFICATIONS	
Blank	None
J	Jamb nut (no knob)
N	Panel mounting nut

*Viton® is a registered trademark of
E.I.duPont de Nemours and Company*

*Contact factory for material certifications.
Fees may apply.*

2100 SERIES

Compact, Diaphragm Sensed
Back Pressure Regulators

PART #	-	1	2	3	-	4 5	-	6 7	-	MODS
50-11998A	-				-		-		-	

1/4" SAE AS5202
INLET / OUTLET PORTS

1	BODY/BONNET MATERIALS (MAX. INLET PRESSURE)
B	SAE 360 Brass (<i>body</i>) 2024 Aluminum(<i>bonnet</i>)
0	316 Stainless Steel (<i>body</i>) 303 Stainless Steel (<i>bonnet</i>)
1	303 Stainless Steel (<i>body & bonnet</i>)
2	MAX CONTROL PRESSURE
B	25 PSIG / 1.72 bar
A	50 psig / 3.45 bar
1	100 PSIG / 6.89 bar
2	250 PSIG / 17.24 bar
3	300 PSIG / 20.68 bar
5	500 PSIG / 34.47 bar
3	FLOW (Cv)
1	Cv 0.14
2	Cv 0.2

4 5	O-RING SEALS
00	BUNA-N
02	VITON-A®
03	PTFE
05	EPDM
6 7	INLET GAUGE PORT (1/8" FNPT, optional)
Blank	None
PN	Port only, no gauge
PO	Port with 60 PSI gauge
P1	Port with 100 PSI gauge
P2	Port with 200 PSI gauge
P6	Port with 600 PSI gauge

MODIFICATIONS	
Blank	None
J	Jamb nut (no knob)
N	Panel mounting nut

*Viton® is a registered trademark of
E.I.duPont de Nemours and Company*

*Contact factory for material certifications.
Fees may apply.*