

2150A SERIES

Single Stage, Diaphragm Sensed, Absolute Pressure
Back pressure regulators



Premier 2150A Series regulators are single stage, diaphragm sensed, increased sensitivity, absolute pressure, back pressure regulators. Premier 2150A Series regulators feature a large stainless steel diaphragm, captured bonnet vent, and an optional panel mount or bottom mount. Premier 2150A Series regulators are rated for Cv 0.04 or 0.20 and designed for inlet pressures from -28”Hg Absolute-100 PSIG.

FEATURES

- Large stainless diaphragm for increased sensitivity and reduced droop
- Stainless diaphragm minimizes inboard diffusion of air into the regulator
- Optional panel mount or bottom mount
- Captured bonnet vent
- Cv 0.04, or 0.20

SOME APPLICATIONS WILL REQUIRE A CUSTOM SOLUTION.
CONTACT PREMIER INDUSTRIES TO REQUEST A MODIFICATION
OR A CUSTOM DESIGN.

SPECIFICATIONS

- **INLET PRESSURE:**
(*INLET GAUGE RANGE IF SUPPLIED*)
 - -28”Hg Absolute-15 psig (*-30” HG-30 psig*)
 - -28”Hg Absolute-50 psig (*-30” HG-100 psig*)
 - -28”Hg Absolute-100 psig (*-30” HG-160 psig*)
- **FLOW (Cv):**
 - 0.04 (*standard*)
 - 0.20 (*P/N: 50-12682*)

OPTIONS

- Inlet gauges (*2 inch diameter*)
- Private label
- Panel mounting nut (*P/N: 50-10240*)

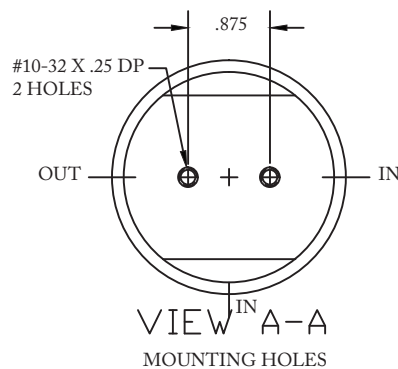
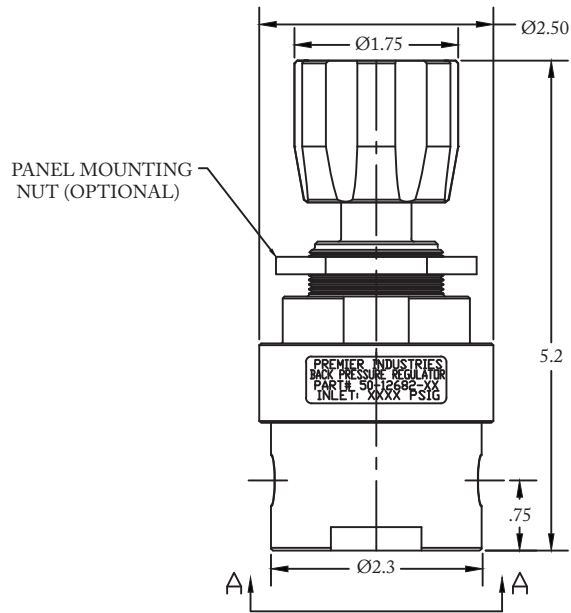
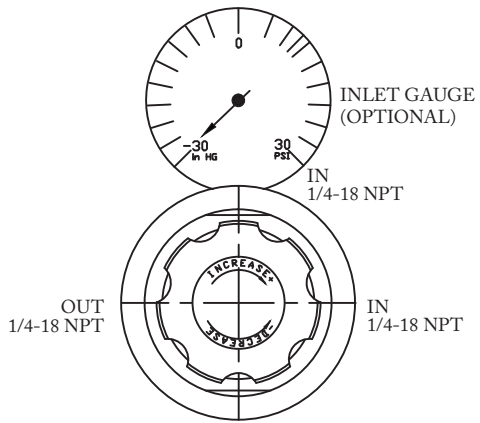
MATERIALS OF CONSTRUCTION

- **BODY:**
 - 316 Stainless Steel
- **BONNET:**
 - 316 Stainless Steel
- **DIAPHRAGM:**
 - 316 Stainless Steel
- **DIAPHRAGM SEAL:** PTFE
- **VALVE SEAT:** PTFE

PORTING

- **INLET:**
 - 1/4 NPT
- **OUTLET:**
 - 1/4 NPT








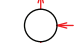
PART NUMBER 50-12682



PART NUMBER	-	1	2	3	4	5
50-12682	-					

Cv 0.20

1	BODY MATERIAL & FINISH
2	316 Stainless Steel, <i>cleaned per spec #515</i>
2	INLET PRESSURE <i>(Inlet gauge range if supplied)</i>
0	-28"Hg Absolute-15 psig <i>(-30" HG-30 psig)</i>
1	-28"Hg Absolute-50 psig <i>(-30" HG-100 psig)</i>
2	-28"Hg Absolute-100 psig <i>(-30" HG-160 psig)</i>
3	GAUGES <i>(OPTIONAL)</i>
Blank	no gauges <i>(standard)</i>
A	2" diameter, inlet only, stainless steel wetted gauge
4	PANEL MOUNTING NUT <i>(optional)</i>
5	Mounting nut
8	No nut <i>(standard)</i>

5	PORTING OPTIONS
Blank	 <i>(Standard, in/out only)</i>
B	
E	
F	
G	
H	
J	
L	

Contact factory for material certifications. Fees may apply.