

2400 SERIES

High Sensitivity, Low Pressure, High Flow
Back Pressure Regulators



Premier 2400 series low pressure, high flow, back pressure regulators are highly sensitive; they are capable of controlling pressures down to 1 PSIG (0.07 bar). These precision, diaphragm sensed, back pressure regulators are useful for numerous R&D controls, industrial controls, monitors, and systems. 2400 Series regulators feature a flow capacity of Cv 0.6, Viton® diaphragm with stainless steel liner (*standard*), and a controlled pressure range of 0-25 PSIG (0-1.72 bar) (other pressures available upon request). Premier 2400 series regulators are capable of regulating a broad range of media as compatible with their materials of construction.

FEATURES

- Flow Capacity (Cv): 0.6
- Compact size
- Viton® diaphragm
- Very competitive pricing
- Machined bar stock body, and bonnet eliminates porosity found in castings
- Models are available for both corrosive and non-corrosive service

SOME APPLICATIONS WILL REQUIRE A CUSTOM SOLUTION.
CONTACT PREMIER INDUSTRIES TO REQUEST A MODIFICATION
OR A CUSTOM DESIGN.

SPECIFICATIONS

• CONTROLLED PRESSURE RANGE:

- 0-15 PSIG / 0-1.03 bar (P/N: 50-12568)
- 0-25 PSIG / 0-1.72 bar (P/N: 50-11306)
- 0-75 PSIG / 0-5.17 bar
(P/N: 50-12568-1, 50-12568-1-NF)
(other pressures available upon request)

OPTIONAL ITEMS

- Gauges
- Hand knob
- Panel mounting bonnet & nuts
- Tamper resistant acorn nut
- New dome loaded design (P/N 50-12671)
- Private label

MATERIALS OF CONSTRUCTION

• BONNET:

- 6061-T6 Aluminum, Nickel Plated

• BODY:

- 303 Stainless Steel
- 6061-T6 Aluminum, Nickel Plated

• DIAPHRAGM OPTIONS:

- Viton® (P/N: 50-12568-1-NF, 50-12568-1)
- Viton® with 316 Stainless Steel liner (P/N: 50-11306, 50-12568)

• MAIN VALVE SEAT:

- Viton®

PORTING

• STANDARD INLET:

- 1/4-18 FNPT

• OPTIONAL INLETS:

- *available upon request*

• STANDARD OUTLET:

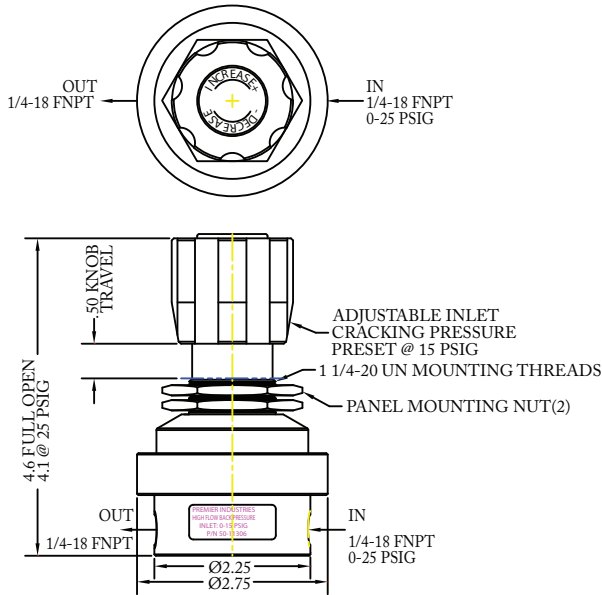
- 1/4-18 FNPT

• OPTIONAL OUTLETS:

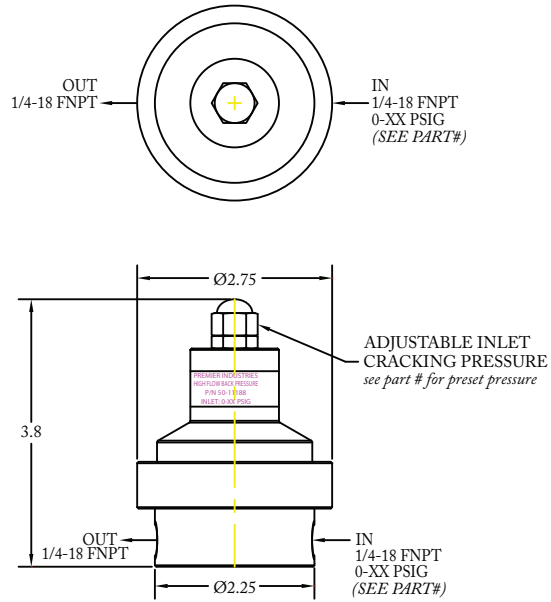
- *available upon request*

*Viton® is a registered trademark of E.I. duPont de Nemours and Company
Contact factory for material certifications. Fees may apply.*

PART NUMBER 50-11306



PART NUMBER 50-11188



PART NUMBER 50-12568-1

