

2800P SERIES

High Flow, Piston Sensed
Pressure Reducing Regulators



Premier 2800P Series regulators are single stage regulators with a balanced stem for increased outlet pressure stability. These piston sensed, high flow regulators feature inlet pressures up to 3000 PSIG (*206.84 bar*), and Cv 2.0 or 1.0. Premier 2800P Series regulators are used to regulate to a broad range of corrosive and non-corrosive media (based on materials of construction).

FEATURES

- Significantly reduced supply pressure effect / increased stability in outlet pressure
- High flow capacity (Cv): 2.0 or 1.0
- Piston sensed
- Non-venting
- Variety of materials available
- Machined bar stock body eliminates porosity found in castings
- Very competitive pricing

SOME APPLICATIONS WILL REQUIRE A CUSTOM SOLUTION.
CONTACT PREMIER INDUSTRIES TO REQUEST A MODIFICATION
OR A CUSTOM DESIGN.

SPECIFICATIONS

- **MAXIMUM INLET PRESSURE:**
 - 3000 PSIG (206.84 bar)
- **CONTROL PRESSURE RANGES:**
 - 0-120 PSIG (0 - 8.27 bar)
 - 0-125 PSIG (0 - 8.62 bar)
 - 0-150 PSIG (0 - 10.34 bar)
 - 0-250 PSIG (0 - 17.24 bar)
 - 0-350 PSIG (0 - 24.13 bar)
 - 0-500 PSIG (0 - 34.47 bar)
- **FLOW (Cv):** 2.0 (standard) 1.0 optional

MATERIALS OF CONSTRUCTION

- **BODY/BONNET OPTIONS:**
 - 6061-T6 Aluminum / Clear Anodized
 - SAE 360 Brass / Nickel Plated *
**Contact factory for pricing*
 - 316 Stainless Steel / PI #515 cleaning
 - 303 Stainless Steel / PI #515 cleaning
(P/N 50-102230 only)
 - SAE 360 Brass / PI #515 cleaning
(P/N 50-102230 only)
- **PISTON:**
 - 303 Stainless Steel
 - 316 Stainless Steel
- **MAIN VALVE SEAT OPTIONS:**
 - PEEK®
 - PCTFE
- **ELASTOMER SEAL OPTIONS:**
 - BUNA-N
 - Viton®
 - EPDM
- **MAIN VALVE PARTS:**
 - 303 stainless steel and 316 stainless steel wetted alloys
(used in aluminum, brass, and 303 stainless steel body/bonnet options)
 - All 316 stainless steel and Nitronic 60 wetted alloys
(used in 316 stainless steel body/bonnet option)

PORTING

- **INLET/OUTLET OPTIONS:**
 - 1/2" FNPT
 - 3/8" FNPT
 - 3/4" FNPT
 - Flanged connections available, contact Premier for more information
- **GAUGES:** 1/4-18 FNPT

OPTIONS

- Gauges
- Adjustable hand knob, 500 PSIG max outlet
(P/N: 50-12230)
- Tamper resistant acorn nut, 500 PSIG max outlet
(P/N: 50-12231)
- Relief valve
- Private label
- Panel mounting nuts (1 or 2) P/N: 50-11803

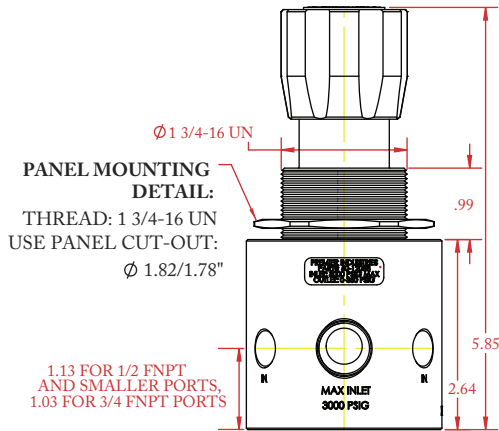
Vespel® and Viton® are registered trademarks of E.I. duPont de Nemours and Company

PEEK® is a registered trademark of Victrex PLC

Contact factory for material certifications. Fees may apply.

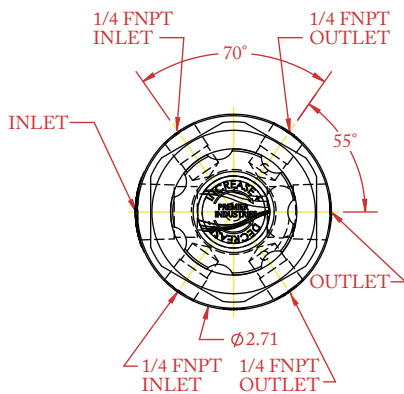
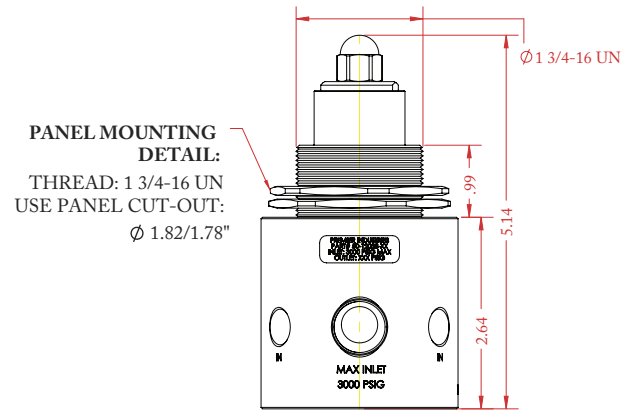
PART NUMBER: 50-12230

*standard design
500 PSIG max outlet*

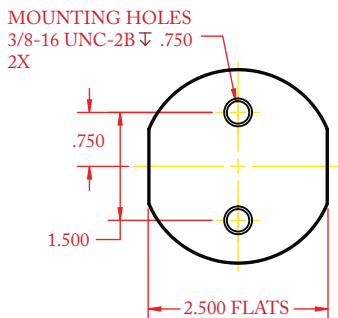


PART NUMBER: 50-12231

*tamper resistant acorn nut
500 PSIG max outlet*



**OPTIONAL SURFACE
MOUNTING OPTION:**

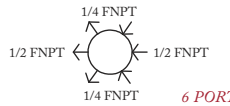
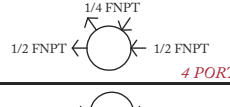
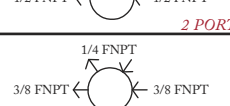
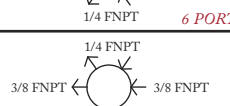
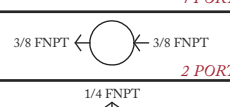
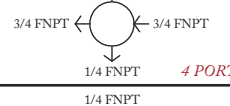
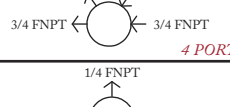
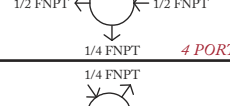
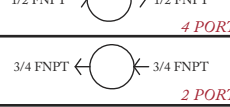
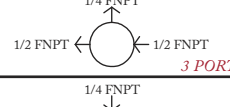
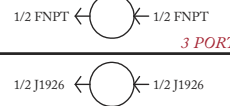




PART #	-	1	2	3	4	5	6	7	8	-	MODS
50-12230	-									-	

STANDARD HAND KNOB

1	BODY/ BONNET MATERIAL
1	6061-T6 Aluminum, Clear Anodize
2	SAE 360 Brass, Nickel Plated
3	316 Stainless Steel, Clean per spec #515
4	303 Stainless Steel, Clean per spec #515
5	SAE 360 Brass, Clean per spec #515
2	ELASTOMER SEALS
1	BUNA-N
2	VITON®
3	EPDM
3	SEAT MATERIAL
1	PCTFE
2	PEEK®

4	OUTLET PRESSURE
1	0-500 PSIG (0 - 34.47 bar)
2	0-125 PSIG (0 - 8.62 bar)
3	0-120 PSIG (0 - 8.27 bar)
4	0-350 PSIG (0 - 24.13 bar)
5	0-150 PSIG (0 - 10.34 bar)
6	0-250 PSIG (0 - 17.24 bar)
5	GAUGES
1	None
2	Standard Ø2.0" gauges
3	Non-standard Ø2.5" gauges
<i>Gauges not available on C & F porting configurations, outlet gauge only available on G & I porting configurations.</i>	
6	PANEL MOUNTING NUT
0	None
1	1 mounting nut
2	2 mounting nuts

7	PORTING CONFIGURATION
A	 6 PORT
B	 4 PORT
C	 2 PORT
D	 6 PORT
E	 4 PORT
F	 2 PORT
G	 4 PORT
H	 4 PORT
I	 4 PORT
J	 4 PORT
K	 2 PORT
L	 3 PORT
M	 3 PORT
Z	2 PORT

8	MOUNTING HOLES
0	NONE
1	SURFACE MOUNT
MODIFICATIONS	
L	Cv 1.0 (Cv 2.0 standard)

PEEK® is a registered trademark of Victrex PLC

Viton® is a registered trademark of E.I. duPont de Nemours & Company

* All ports are 1/4" FNPT unless otherwise indicated on the porting configurations.

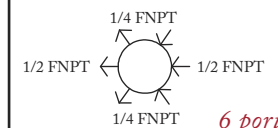
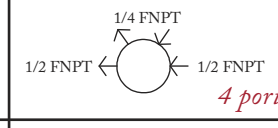
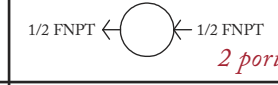
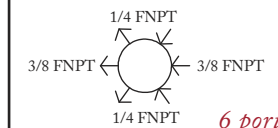
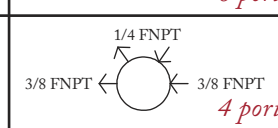
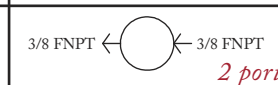
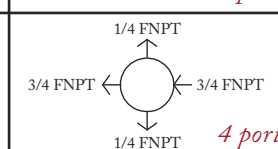
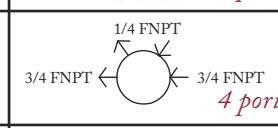
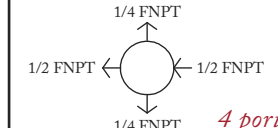
Contact factory for material certifications. Fees may apply.

PART #	-	1	2	3	4	5	6	7	8	-	MODS
50-12231	-									-	

PRESET OUTLET / ACORN NUT

1	BODY & BONNET MATERIAL <i>(Wetted Materials)</i>
1	6061-T6 Aluminum, Clear Anodize <i>(303 Stainless Steel & 316 Stainless Steel)</i>
2	SAE 360 Brass, Nickel Plated <i>(303 Stainless Steel & 316 Stainless Steel)]</i> <i>Contact factory for pricing</i>
3	316 Stainless Steel, Clean per spec #515 <i>(316 Stainless Steel & Nitronic 60)</i>
2	ELASTOMER SEALS
1	Buna-n
2	Viton®
3	EPDM
3	SEAT MATERIAL
1	PCTFE
2	PEEK®

4	OUTLET PRESSURE
1	0-500 PSIG <i>(0 - 34.47 bar)</i>
2	0-125 PSIG <i>(0 - 8.62 bar)</i>
3	0-120 PSIG <i>(0 - 8.27 bar)</i>
4	0-350 PSIG <i>(0 - 24.13 bar)</i>
5	0-150 PSIG <i>(0 - 10.34 bar)</i>
6	0-250 PSIG <i>(0 - 17.24 bar)</i>
5	GAUGES
1	None
2	Include gauges
6	PANEL MOUNTING NUT
0	None
1	1 mounting nut
2	2 mounting nuts

7	PORTING CONFIGURATION
A	 <p>6 port</p>
B	 <p>4 port</p>
C	 <p>2 port</p>
D	 <p>6 port</p>
E	 <p>4 port</p>
F	 <p>2 port</p>
G	 <p>4 port</p>
H	 <p>4 port</p>
I	 <p>4 port</p>

8	MOUNTING HOLES
0	None
<i>Contact Premier for mounting options</i>	
MODS	
XXX	Preset outlet pressure (XXX) <i>E.g. 075 = 75 PSIG</i> <i>**The end user is responsible to specify a preset outlet pressure. If an outlet pressure is not specified, the pressure will be left unset. Never exceed the maximum outlet pressure specified on the part number.</i>
L	Cv 1.0 <i>(Cv 2.0 standard)</i>
M	MOLYKOTE 44 MEDIUM
<i>Separate multiple modifications with a dash</i> <i>e.g.</i> <i>125 psig preset outlet pressure w/ Cv 1.0 = 125-L</i>	

PEEK® is a registered trademark of Victrex PLC

Viton® is a registered trademark of E.I.duPont de Nemours & Company

Contact factory for material certifications. Fees may apply.