

# RELIEF VALVE

Adjustable Relief Pressure, Captured Outlet



Premier relief valves protect your system from overpressurization with reliable preset relief pressures between 100-1800 psig (*6.89-124.11 bar*). Great for stand alone use or for use with a wide range of Premier regulators for optimum reliability. Premier relief valves are available in a variety of materials; they can be used with a wide range of media as compatible with their materials of construction.

## FEATURES

- Captured outlet
- Adjustable relief pressure
- PCTFE seat
- Compatible with gas and hydraulic media
- Available in a variety of materials
- Preset relief pressures between 100-1800 psig (*6.89-124.11 bar*).

**SOME APPLICATIONS WILL REQUIRE A CUSTOM SOLUTION.**  
CONTACT PREMIER INDUSTRIES TO REQUEST A MODIFICATION  
OR A CUSTOM DESIGN.

## SPECIFICATIONS

- **RELIEF PRESSURE :**
  - MAX: 1800 PSIG (*124.11 bar*)
  - MIN: 100 PSIG (*6.89 bar*)
- **OPERATING TEMPERATURE :**
  - -100 - 165°F (*-73 - 73°C*)

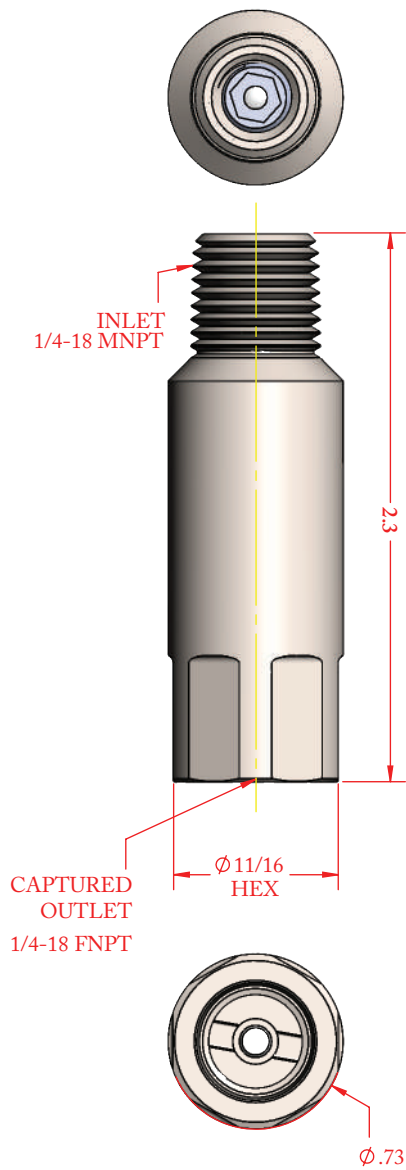
## MATERIALS OF CONSTRUCTION

- **HOUSING MATERIALS:**
  - SAE 360 Brass
  - 6061-T6 Aluminum / Clear Anodize
  - 303 Stainless Steel
  - 316 Stainless Steel
- **SEAT:** PCTFE
- **SPRING:** 300 Series Stainless Steel
- **ADJUSTING SCREW:** 303 Stainless Steel
- **SEAT RETAINER:** 303 Stainless Steel

## PORTING

- **INLET:** 1/4" MNPT
- **OUTLET:** 1/4" FNPT (*captured*)

PART NUMBER: 70-00288



# RELIEF VALVE

Adjustable Relief Pressure, Captured Outlet

SERIES	-	1	2	-	XXX
70-00288	-			-	

1	HOUSING MATERIAL <i>AND FINISH</i>
1	SAE 360 Brass
2	6061-T6 Aluminum, <i>Clear Anodize</i>
3	303 Stainless Steel, <i>Cleaned per procedure #515</i>
4	316 Stainless Steel, <i>Cleaned per procedure #515</i>
2	VALVE ORIFICE MATERIAL <i>AND FINISH</i>
1	SAE 360 Brass
4	316 Stainless Steel, <i>Cleaned per procedure #515</i>

XXX	FACTORY SET RELIEF PRESSURE <i>IN PSIG / 10</i>
	<p>Use all 3 digits.</p> <p>MAX RELIEF SETTING = 1800 PSIG, MIN RELIEF SETTING = 100 PSIG</p> <p>(EXAMPLES: '025' = 250 PSIG RELIEF PRESSURE, '120' = 1200 PSIG RELIEF PRESSURE).</p>