

SCF 3000 SERIES

High Pressure, Captured Venting
Pressure Reducing Regulators



Premier SCF 3000 Series regulators are elastomer free, designed to stand up to the aggressive, solvent-like qualities of supercritical CO₂, while providing reliable and precise pressure regulation. The Premier SCF 3000 Series high pressure, piston sensed, single stage pressure reducing regulators feature inlet and outlet pressures up to 10000 PSIG (689.48 bar), and Cv 0.06, 0.12, 0.20 or 0.30.

FEATURES

- Designed for use with supercritical CO₂
- Captured venting standard
- Elastomer free
- Cv 0.06, 0.12, 0.20, or 0.30
- Very competitive pricing
- Machined bar stock body, bonnet and piston eliminates porosity found in castings

SOME APPLICATIONS WILL REQUIRE A CUSTOM SOLUTION.
CONTACT PREMIER INDUSTRIES TO REQUEST A MODIFICATION
OR A CUSTOM DESIGN.

SCF 3000 SERIES

High Pressure, Captured Venting
Pressure Reducing Regulators

SPECIFICATIONS

- **MAXIMUM INLET PRESSURE:**
 - 10000 PSIG / 689.5 bar
- **OUTLET PRESSURE RANGES:**
 - 0-200 PSIG (0-13.8 Bar)
 - 5-500 PSIG (0.35-34.5 Bar)
 - 5-800 PSIG (0.35-55.2 Bar)
 - 10-1500 PSIG (0.69-103.4 Bar)
 - 15-2500 PSIG (1.0-172.4 Bar)
 - 25-4000 PSIG (1.7-275.8 Bar)
 - 50-6000 PSIG (3.4-413.7 Bar)
 - 100-10000 PSIG (6.9-689.5 Bar)
- **FLOW (Cv):** 0.06, 0.12, 0.20, or 0.30
- **VENT VALVE (Cv):** 0.06

MATERIALS OF CONSTRUCTION

- **BODY:**
 - 316 Stainless Steel
- **BONNET:**
 - 17-4 Stainless Steel (hardened)
- **MAIN/VENT VALVE STEM:**
 - 17-4 Stainless Steel (hardened)
- **MAIN VALVE SEAT:**
 - PEEK®
- **VENT VALVE SEAT:**
 - PEEK®
- **SEALS:**
 - PTFE
- **OTHER WETTED PARTS:**
 - 316 Stainless Steel
 - 17-4 Stainless Steel

PEEK® is a registered trademark of Victrex PLC
Contact factory for material certifications. Fees may apply.

PORTING

- **INLET/OUTLET PORT OPTIONS**
 - 1/4", 3/8", 1/2" FNPT
 - 1/4", 3/8", 1/2" SAE J1926
 - 1/4", 3/8", 1/2" SAE AS5202
 - 1/4", 3/8", 9/16" Medium Pressure
- **VENT PORT:** 1/4" (inlet/outlet port type)
- **GAUGE PORTS:** 1/4" FNPT
(unless port type uniform modifier is specified)

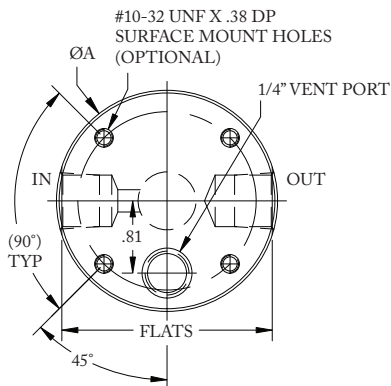
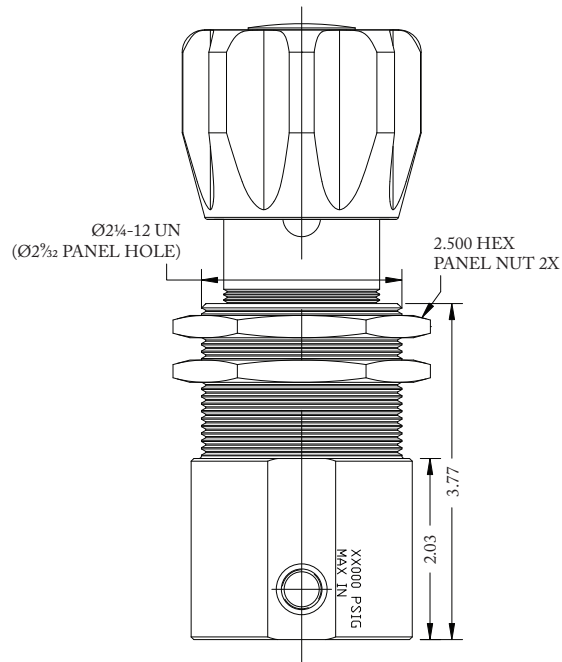
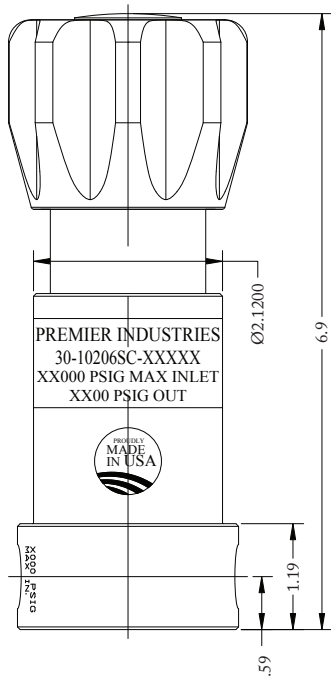
OPTIONAL ITEMS

- Panel mounting bracket: P/N: 30-10059 (Ø2.15 panel hole)
- Tamper resistant acorn nut
- Private label

SCF 3000 SERIES

High Pressure, Captured Venting
Pressure Reducing Regulators

PART NUMBER: 30-10206SC



PORT TYPE	ØA	FLATS
NPT	Ø2.48	—
1/4" J1926, M.P.	Ø2.48	2.36
1/4" AS5202	Ø2.98	2.81
3/8" SAE, M.P.	Ø2.98	2.81
1/2" SAE	Ø3.23	2.98
9/16" M.P.	Ø3.23	2.98

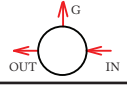
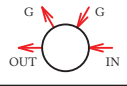
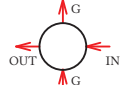
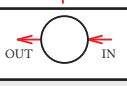
3/8" & larger 'L' configuration bodies require a larger ØA

SCF 3000 SERIES

High Pressure, Captured Venting
Pressure Reducing Regulators

SERIES	1	2	-	3	4	5	6	7	-	MODS
30-10206SC			-						-	

1 2	MOUNTING STYLE
MB	Mounting bracket style body
PN	Panel nut style body <i>(panel nuts included)</i>
3	OUTLET PRESSURE
0	0-200 PSIG (0-13.79 Bar)
1	5-500 PSIG (0.34-34.5 Bar)
2	5-800 PSIG (0.34-55.2 Bar)
3	10-1500 PSIG (0.69-103.4 Bar)
4	15-2500 PSIG (1.0-172.4 Bar)
5	25-4000 PSIG (1.7-275.8 Bar)
6	50-6000 PSIG (3.4-413.7 Bar)
7	100-10000 PSIG (6.9-689.5 Bar) <i>(stainless steel only)</i>
4	FLOW (Cv)
0	Cv 0.06
1	Cv 0.12
2	Cv 0.20
3	Cv 0.30

5	PORTING CONFIGURATION
A	
C	
L	
S	
6	PORT SIZE
4	1/4"
6	3/8"
8	1/2"*
9	9/16"***
<i>*1/2" ports not available in medium pressure</i>	
<i>**9/16" ports only available in medium pressure</i>	

7	PORT TYPE (IN/OUT/VENT)
1	FNPT
2	SAE J1926
3	SAE AS5202
4	MEDIUM PRESSURE
<i>Gauge ports: 1/4" FNPT unless port type uniform (PTU) modifier is specified</i>	
MODIFICATIONS	
<i>Separate multiple mods with a dash.</i>	
BLANK	None
ANT	Acorn nut
NV	Non-venting
PTU	Port type uniform
SM	Surface mount <i>Pattern dependent on port type, size, & config. - not available on panel mount style bodies</i>

10000 PSIG MAX INLET (SS)

The end user is responsible to ensure adequate fittings are used to connect regulator to plumbing.

Contact factory for material certifications. Fees may apply.