

## 6016 SERIES

Hydraulic, High Pressure, High Flow  
Pressure Reducing Regulators



Premier 6016 Series regulators are hydraulic, high pressure, high flow, piston sensed, pressure reducing regulators rated for inlet pressures up to 10000 psig / 689.5 bar (*dependent upon configuration*), and Cv 1.0. Captured venting allows potentially hazardous media to be safely piped away.

### FEATURES

- Hydraulic
- High flow capacity (Cv): 1.0
- Captured venting (*standard*)
- Piston sensed
- Optional gauge ports
- Machined bar stock body eliminates porosity found in castings

**SOME APPLICATIONS WILL REQUIRE A CUSTOM SOLUTION.**  
CONTACT PREMIER INDUSTRIES TO REQUEST A MODIFICATION  
OR A CUSTOM DESIGN.

## SPECIFICATIONS

- **MAXIMUM INLET PRESSURE:**
  - 10000 PSIG (689.5 bar)
- **CONTROL PRESSURE OPTIONS:**
  - 150 PSIG (0-10.3 bar)
  - 300 PSIG (0-20.7 bar)
  - 500 PSIG (0.3-34.5 bar)
  - 1000 PSIG (0.3-68.9 bar),
  - 1500 PSIG (0.7-103.4 bar)
  - 2500 PSIG (1.0-172.4 bar)
  - 4000 PSIG (1.7-275.8 bar)
  - 6000 PSIG (3.4-413.7 bar)
  - 10000 PSIG (6.9-689.5 bar)
- **FLOW (Cv):** 1.0
- **VENT VALVE (Cv):** 0.06
- **OPERATING TEMPERATURE:\*\***
  - -15°F/-26°C to 165°F/74°C (BUNA-N)
  - -4°F/-20°C to 165°F/74°C (Viton®)
  - -65°F/-54°C to 165°F/74°C (EPDM)

*\*\* Lower temperature compounds available*

## PORTING

- **INLET/OUTLET PORTING OPTIONS:**
  - 1/2", 3/8" FNPT
  - 1/2", 3/8" SAE J1926
  - 1/2", 3/8" SAE AS5202 (MS33649\*\*)
- **VENT PORT:**
  - 1/4" (inlet/outlet port type)
- **GAUGE PORTS:**
  - 1/4" FNPT

## MATERIALS OF CONSTRUCTION

- **BODY:**
  - 316 Stainless Steel
- **MAIN VALVE STEM:**
  - 17-4 Stainless Steel
- **MAIN VALVE SEAT:**
  - 316 Stainless Steel
- **VENT VALVE SEAT:**
  - 316 Stainless Steel
- **BACK-UP RINGS:**
  - PTFE or PCTFE
- **O-RING MATERIAL OPTIONS:**
  - BUNA-N
  - AFLAS®
  - Viton®
  - EPDM
  - Kalrez® (*contact factory for pricing*)
- **OTHER WETTED PARTS:**
  - 316 Stainless Steel,
  - 17-4 Stainless Steel

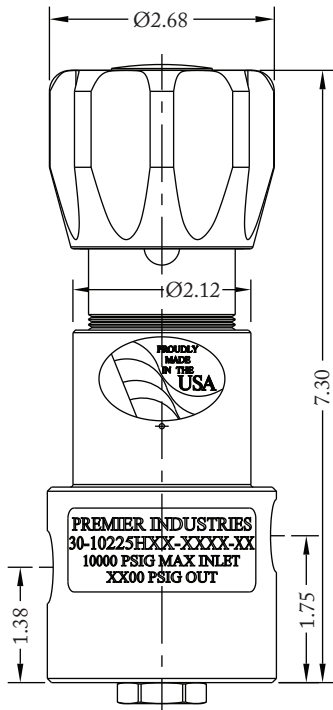
*\*\*SAE AS5202 supersedes MS33649  
Viton®, Vespel® and Kalrez® are registered trademarks of  
E.I. du Pont de Nemours & Company.  
AFLAS® is a registered trademark of the Asahi Glass Co., Ltd.*

*Contact factory for material certifications. Fees may apply.*

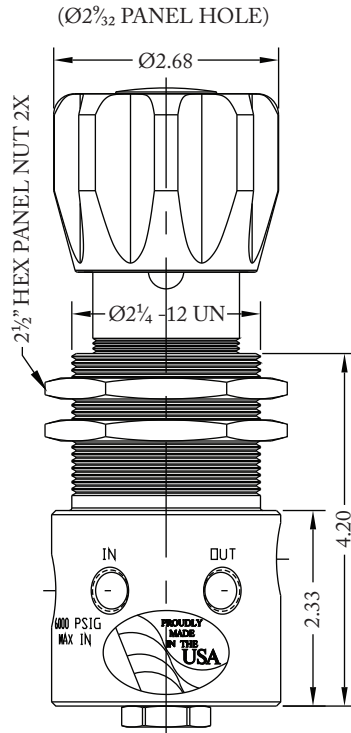
# 6016 SERIES

Hydraulic, High Pressure, High Flow  
Pressure Reducing Regulators

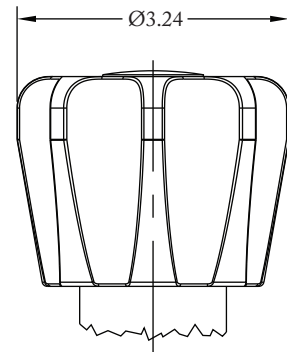
## PANEL MOUNTING BRACKET STYLE



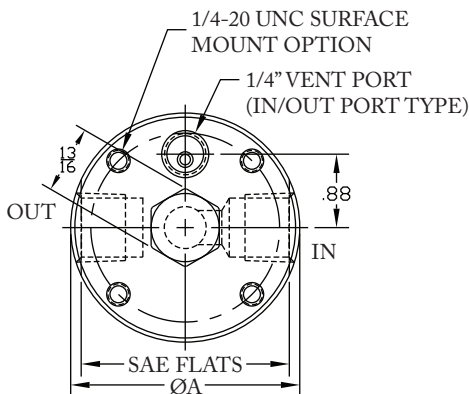
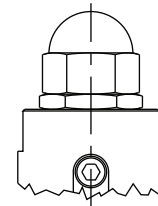
## PANEL NUT STYLE



## BALL-BEARING HAND KNOB (Optional)

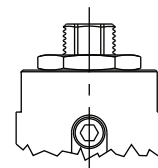


## TAMPER RESISTANT ACORN NUT (Optional)



PORT TYPE	ØA	FLATS	BODY
NPT	Ø2.73	—	
SAE J1926	Ø3.23	3.05	
3/8 SAE AS5202	Ø3.23	3.05	
1/2 SAE AS5202	Ø3.48	3.30	

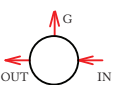
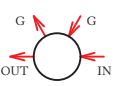
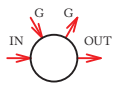
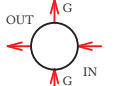

## WRNECH ADJUST (Optional)



(Part number 30-11050 shown above)

PART NUMBER	1	2	-	3	4	5	6	-	7	8	-	MODS
30-11050			-					-			-	

1 2	MOUNTING STYLE
<b>MB</b>	Mounting bracket style body
<b>PN</b>	Panel nut style body <i>(Panel nuts included)</i>
3	OUTLET PRESSURE
<b>C</b>	150 PSIG (10.3 Bar)
<b>0</b>	300 PSIG (20.7 Bar)
<b>1</b>	500 PSIG (34.5 Bar)
<b>2</b>	1000 PSIG (68.9 Bar)
<b>3</b>	1500 PSIG (103.4 Bar)
<b>4</b>	2500 PSIG (172.4 Bar)
<b>5</b>	4000 PSIG (275.8 Bar)
<b>6</b>	6000 PSIG (413.7 Bar)
<b>7</b>	10000 PSIG (689.5 Bar)

4	PORTING CONFIG.
<b>A</b>	
<b>C</b>	
<b>D</b>	
<b>L</b>	
<b>S</b>	
5	PORT SIZE <i>(Inlet/outlet)</i>
<b>6</b>	3/8"
<b>8</b>	1/2"
<b>GAUGE PORTS: 1/4" FNPT</b> <b>VENT PORT: 1/4" inlet/outlet port type</b>	
6	PORT TYPE <i>(Inlet/outlet)</i>
<b>N</b>	FNPT
<b>J</b>	SAE J1926
<b>A</b>	SAE AS5202 (MS33649**)

7 8	O-RINGS
<b>00</b>	BUNA-N
<b>01</b>	AFLAS®
<b>02</b>	VITON®
<b>05</b>	EPDM
<b>11</b>	KALREZ® <i>(contact factory for pricing)</i>
MODIFICATIONS	
<b>Blank</b>	None
<b>ANT</b>	Acorn nut
<b>BBL</b>	Ball-bearing loader
<b>PTU</b>	Port type uniform
<b>SM</b>	Surface mount
<b>WA</b>	Wrench adjust

\*\*SAE AS5202 supersedes MS33649

**10000 PSIG MAX INLET**

*The end user is responsible to ensure adequate fittings are used to connect regulator to plumbing.*

*Kalrez® & Viton® are registered trademarks of E.I. duPont de Nemours and Company. AFLAS® is a registered trademark of the Asahi Glass Co., Ltd. Monel is a registered trademark of Specialty Metals Corporation.*

*Contact factory for material certifications. Fees may apply.*