

H2 3123AL SERIES

Air loaded, High Pressure, Hydrogen
Back Pressure Regulators



The Premier H2 3123AL Series Hydrogen, air loaded, piston sensed, single stage, high pressure, back pressure regulators feature control pressures up to 15000 PSIG (*1034.21 bar*), and Cv 0.03, 0.06, 0.14, or 0.20. Premium H2 3123AL series regulators are designed for use in Hydrogen applications; they are available with a wide range of outlet and inlet configurations.

FEATURES

- Compatible with electro pneumatic controllers
- Designed for use with Hydrogen
- Cv 0.03, 0.06, 0.14, or 0.20
- Control pressures up to 15000 PSIG (*1034.21 bar*)
- Machined bar stock body, bonnet and piston eliminates porosity found in castings
- Numerous optional features are available

SOME APPLICATIONS WILL REQUIRE A CUSTOM SOLUTION.
CONTACT PREMIER INDUSTRIES TO REQUEST A MODIFICATION
OR A CUSTOM DESIGN.

SPECIFICATIONS

- **MAXIMUM INLET PRESSURE:**
 - REGULATOR:
 - 15000 PSIG / 1034.2 bar
 - AIR ACTUATOR:
 - 110 PSIG (7.bar)
- **CONTROL PRESSURE RANGES:**
 - 300-15000 PSIG (20.68- 1034.2 bar)
Sensor Diameter: 0.313
Area: 0.0769 in²
*Ratio: 163/1 ***
- **FLOW (Cv):** 0.03, 0.06, 0.14, or 0.20

** 4.0" diameter diaphragm
Diaphragm area: 12.5664 in²

MATERIALS OF CONSTRUCTION

- **BODY:**
 - 316 Stainless Steel
- **HOUSING, AIR ACTUATOR :**
 - 6061-T6 Aluminum/clear anodized
- **DIAPHRAGM, AIR ACTUATOR :**
 - Neoprene, nylon fabric-reinforced
- **MAIN VALVE SEAT OPTIONS:**
 - Vespel®
- **ELASTOMER SEAL OPTIONS:**
 - BUNA-N
 - Viton-A®
 - EPDM
 - Polyurethane
- **WETTED PARTS:**
 - 316 Stainless Steel & Toughmet® 3 TS160U
- **BACK-UP RINGS:**
 - PTFE
 - PCTFE

PORTING

- **INLET/OUTLET**
 - 1/4", 3/8" FNPT
 - 1/4", 3/8", 9/16" MEDIUM PRESSURE
 - 1/4", 3/8" HIGH PRESSURE
- **AIR ACTUATOR:**
 - 1/4-18" FNPT (Standard)
 - 1/4" SAE AS5202 (mod)
 - 1/4" SAE J1926 (mod)
 - 1/8" FNPT (mod)

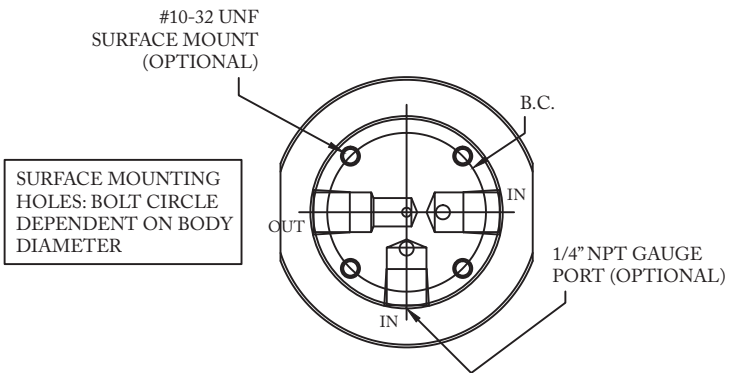
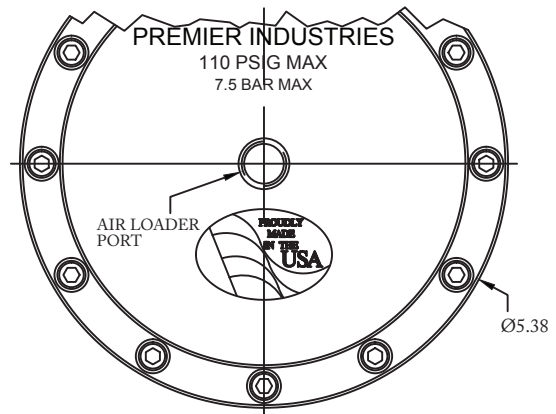
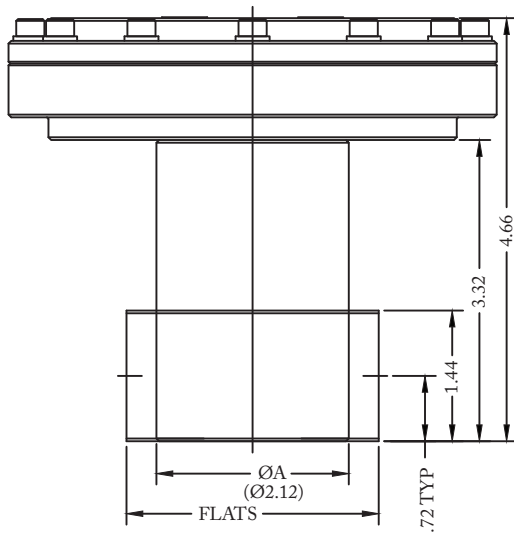
OPTIONAL ITEMS

- Panel mounting bracket: P/N: 30-10059
(Ø2.15 panel hole)
- Surface mount
- Private label

Viton® and Vespel® are registered trademarks of
E.I. duPont de Nemours and Company

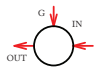

Toughmet® is a registered trademark of Materion Brush Inc.

PART NUMBER: H30-10223AL



BODY DIMENSIONS			
PORT TYPE	ØA	FLATS	B.C.
1/4 & 3/8 NPT	Ø2.12	—	Ø1.75
1/4" M.P.	Ø2.12	1.98	
1/4" H.P.	Ø2.12	1.98	Ø2.00
3/8" M.P.	Ø2.48	2.36	
3/8" H.P.	Ø2.98	2.81	Ø2.50
9/16" M.P.	Ø2.98	2.81	

PART #	-	1	2	3	4	-	5	6	-	MODS
H30-10223AL	-					-			-	

1	FLOW (Cv)
A	Cv 0.03
0	Cv 0.06
1	Cv 0.14
2	Cv 0.20
2	PORTING CONFIGURATION
H	
S	
3	PORT SIZE
4	1/4"
6	3/8"
9	9/16"***
4	PORT TYPE
1	FNPT
4	MEDIUM PRESSURE
5	HIGH PRESSURE

5 6	O-RING MATERIAL
00	BUNA-N
02	VITON-A®
05	EPDM
08	POLYURETHANE
MODIFICATIONS <i>Separate multiple mods with a dash</i>	
BLANK	NONE
AS	1/4" SAE AS5202 LOADER PORT
E	1/8" NPT AIR LOADER PORT
J	1/4" SAE J1926 LOADER PORT
SM	SURFACE MOUNT

15000 PSIG MAX INLET

The end user is responsible to ensure adequate fittings are used to connect regulator to plumbing.

Viton-A® is a registered trademark of E.I.duPont de Nemours and Company

*PEEK® is a registered trademark of Victrex PLC
PEEK® is a registered trademark of Victrex*

*Contact factory for material certifications.
Fees may apply.*