

70 SERIES

**High Pressure
Shut Off Valves**

70-1100A

ANGLE PATTERN
10000 PSIG MAX
Cv: 0.42



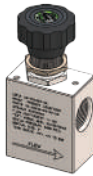
70-1100G

GLOBE PATTERN
10000 PSIG MAX
Cv: 0.42



70-1200G

GLOBE PATTERN
6000 PSIG MAX
Cv 8.0



70-1300A

ANGLE PATTERN
10000 PSIG MAX
Cv: 2.3



70-1300G

GLOBE PATTERN
10000 PSIG MAX
Cv: 1.6



70-2100AB

W/ BLEED/VENT VALVE
10000 PSIG MAX



Premier 70 Series shut off valves are stainless steel, high pressure shut off valves rated for pressures up to 10000 PSIG (*varies by model*). 70 Series valves feature a metal stop that prevents stem over-travel; the metal stop also functions as a secondary metal-to-metal seat should the soft seat fail.

Premier 70 Series valves may be used in a wide variety of applications consistent with valve materials compatibility with media.

FEATURES

- Rated up to 10000 PSIG
- A variety of port sizes and configurations
- Low torque at high pressures
- Metal stop prevents stem-over-travel

SOME APPLICATIONS WILL REQUIRE A CUSTOM SOLUTION.
CONTACT PREMIER INDUSTRIES TO REQUEST A MODIFICATION
OR A CUSTOM DESIGN.

PART NUMBER: 70-1100A

SPECIFICATIONS

- **MAXIMUM OPERATING PRESSURE :**
 - PTFE seat, SAE 360 Brass body:
 - 3500 PSIG / 241 BAR
 - PTFE seat, 316 Stainless Steel body:
 - 3500 PSIG / 241 BAR
 - PCTFE seat, SAE 360 Brass body:
 - 6000 PSIG / 414 BAR
 - PCTFE seat, 316 Stainless Steel body:
 - 6000 PSIG / 414 BAR
 - PEEK® seat, SAE 360 Brass body:
 - 6000 PSIG / 414 BAR
 - PEEK® seat, 316 Stainless Steel body:
 - 10000 PSIG / 690 BAR
 - Vespel SP-1® seat, SAE 360 Brass body:
 - 6000 PSIG / 414 BAR
 - Vespel SP-1® seat, 316 Stainless Steel body:
 - 10000 PSIG / 690 BAR
- **LEAK RATE:** Bubble Tight
- **FLOW CV:** 0.42

MATERIALS OF CONSTRUCTION

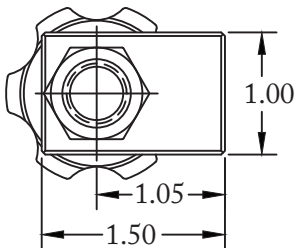
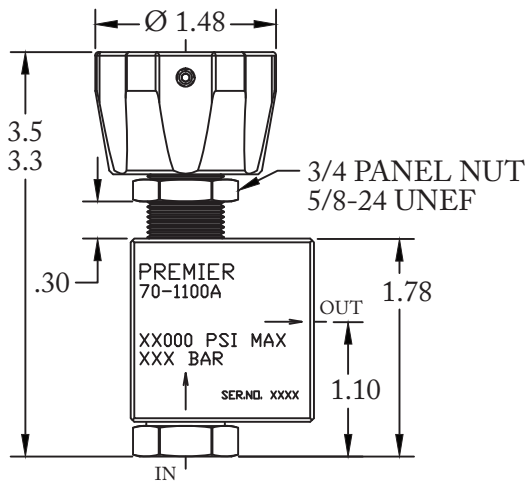
- **BODY:**
 - 316 Stainless Steel
 - SAE 360 Brass
- **VALVE SEAT:**
 - PTFE
 - PCTFE
 - PEEK®
 - Vespel SP-1®
- **VALVE STEM:**
 - 17-4 Stainless Steel (Hardened)
- **O-RING:**
 - BUNA-N
 - AFLAS®
 - Viton-A®
 - EPDM
 - Kalrez®
 - Nitrile, lo-temp
- **BACK-UP RING:**
 - PTFE
 - PCTFE
- **WETTED PARTS:**
 - 316 Stainless Steel
 - 17-4 Stainless Steel
 - Nitronic® 60 Stainless Steel
 - PEEK®

*Kalrez®, Vespel®, and Viton® are registered trademarks of E.I. du Pont de Nemours and Company.
PEEK® is a registered trademark of Victrex PLC
AFLAS® is a registered trademark of the Asahi Glass Co., Ltd.
Nitronic® is a registered trademark of AK Steel*

PORTING

- **INLET/OUTLET PORTING:**
 - 1/4" NPT, SAE J1926, SAE AS5202, Medium Pressure

PART NUMBER: 70-1100A



PART #	1	-	2	3	4	5	-	6 7
70-1100		-					-	

1	PATTERN
A	Angle pattern
2	MATERIALS OF CONSTRUCTION
B	SAE 360 Brass Body
S	316 Stainless Steel Body
3	PORT SIZE
4	1/4"
4	PORT TYPE
1	NPT
2	SAE J1926
3	SAE AS5202
4	MEDIUM PRESSURE

5	SEAT MATERIAL
T	PTFE
C	PCTFE
P	PEEK®
V	VESPEL SP-1®
6 7	O-RING MATERIAL
00	BUNA-N
01	AFLAS®
02	VITON-A®
05	EPDM
11	KALREZ® <i>Contact Premier for pricing</i>
12	NITRILE, LO-TEMP

AFLAS® is a registered trademark of the Asahi Glass Co., Ltd.

PEEK® is a registered trademark of Victrex PLC

Kalrez®, Vespel® & Viton® are registered trademarks of E.I. duPont de Nemours and Company.

PART NUMBER: 70-1100G

SPECIFICATIONS

- **MAXIMUM OPERATING PRESSURE :**
 - PTFE seat, SAE 360 Brass body:
 - 3500 PSIG / 241 BAR
 - PTFE seat, 316 Stainless Steel body:
 - 3500 PSIG / 241 BAR
 - PCTFE seat, SAE 360 Brass body:
 - 6000 PSIG / 414 BAR
 - PCTFE seat, 316 Stainless Steel body:
 - 6000 PSIG / 414 BAR
 - PEEK® seat, SAE 360 Brass body:
 - 6000 PSIG / 414 BAR
 - PEEK® seat, 316 Stainless Steel body:
 - 10000 PSIG / 690 BAR
 - Vespel SP-1® seat, SAE 360 Brass body:
 - 6000 PSIG / 414 BAR
 - Vespel SP-1® seat, 316 Stainless Steel body:
 - 10000 PSIG / 690 BAR
- **LEAK RATE:** Bubble Tight
- **FLOW CV:** 0.42

MATERIALS OF CONSTRUCTION

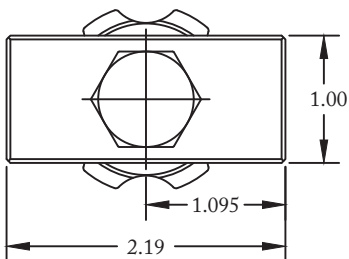
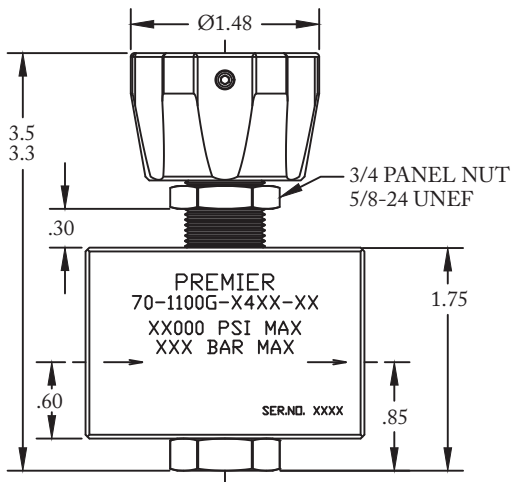
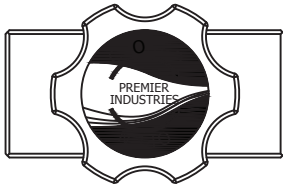
- **BODY OPTIONS:**
 - 316 Stainless Steel
 - SAE 360 Brass
- **VALVE SEAT:**
 - PTFE
 - PCTFE
 - PEEK®
 - Vespel SP-1®
- **VALVE STEM:**
 - 17-4 Stainless Steel (Hardened)
- **O-RINGS:**
 - BUNA-N
 - AFLAS®
 - Viton-A®
 - EPDM
 - Kalrez®
 - Nitrile, lo-temp
- **BACK-UP RING:**
 - PTFE or PCTFE
- **WETTED, OTHER, BRASS:**
 - SAE 360 Brass
 - PEEK®
- **WETTED, OTHER, STAINLESS STEEL:**
 - 17-4 Stainless Steel
 - Nitronic® 60 Stainless Steel
 - PEEK®

*Kalrez®, Vespel®, and Viton® are registered trademarks of E.I. du Pont de Nemours and Company.
PEEK® is a registered trademark of Victrex PLC
AFLAS® is a registered trademark of the Asahi Glass Co., Ltd.
Nitronic® is a registered trademark of AK Steel*

PORTING

- **INLET/OUTLET PORTING:**
 - 1/4" NPT, SAE J1926, SAE AS5202

PART NUMBER: 70-1100G



PART #	1	-	2	3	4	5	-	6 7	-	MODS
70-1100		-					-		-	

1	PATTERN
G	Globe pattern
2	MATERIALS OF CONSTRUCTION
B	SAE 360 Brass Body
S	316 Stainless Steel Body
3	PORT SIZE
4	1/4"
4	PORT TYPE
1	NPT
2	SAE J1926
3	SAE AS5202

5	SEAT MATERIAL
T	PTFE
C	PCTFE
P	PEEK®
V	VESPEL SP-1®
6 7	O-RING MATERIAL
00	BUNA-N
01	AFLAS®
02	VITON-A®
05	EPDM
11	KALREZ® <i>Contact Premier for pricing</i>
12	NITRILE, LO-TEMP

MODIFICATIONS	
BLANK	NONE
AC	KRYTOX 240AC

AFLAS® is a registered trademark of the Asahi Glass Co., Ltd.

PEEK® is a registered trademark of Victrex PLC

Kalrez®, Vespel® & Viton® are registered trademarks of E.I. duPont de Nemours and Company.

PART NUMBER: 70-1200G

SPECIFICATIONS

- **DESIGN PRESSURE :**
 - 6000 PSIG (*413.69 bar*)
- **FLOW Cv:** 8.0

PORTING

- **INLET/OUTLET PORTING OPTIONS:**
 - 3/4" NPT, SAE J1926, SAE AS5202, NPTF (DRY SEAL)
 - 1" NPT, SAE J1926, SAE AS5202, NPTF (DRY SEAL)

MATERIALS OF CONSTRUCTION

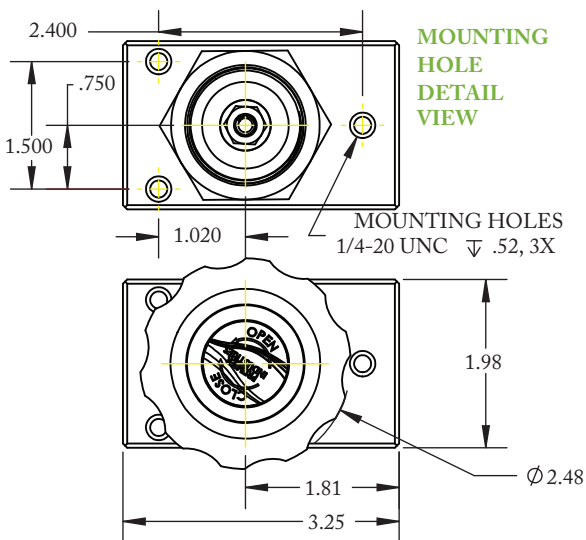
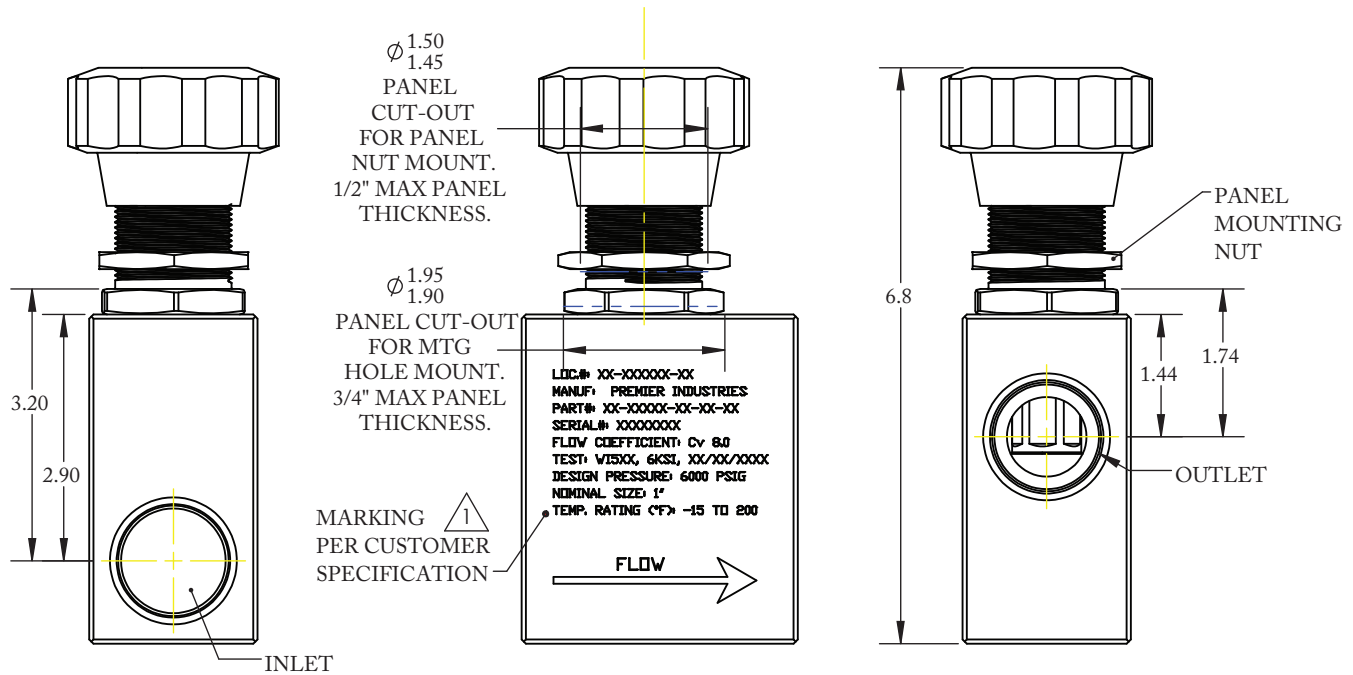
WETTED:

- **BODY MATERIAL:**
 - 316 Stainless Steel
- **VALVE SEAT:**
 - PCTFE
 - PEEK®
 - Vespel SP-1®
- **O-RING OPTIONS:**
 - Buna-N
 - AFLAS®
 - Viton-A®
 - EPDM
 - Kalrez®
 - Nitrile, lo-temp
- **BACK-UP RINGS:**
 - PTFE, Graphite Filled
- **OTHER WETTED PARTS:**
 - 316 Stainless Steel
 - Nitronic 60

NON-WETTED:

- **KNOB MATERIAL:**
 - 6061-T6 Aluminum, Black Anodize
- **PANEL NUT:**
 - 6061-T6 Aluminum, Nickel-Plated
- **ROLLER BEARINGS/WASHERS:**
 - Steel

PART NUMBER: 70-1200G



PART #	-	1	2	3	4	-	5 6	-	LASER MOD
70-1200G	-					-		-	

1	BODY MATERIAL
S	316 Stainless Steel
2	PORT SIZE
T	3/4"
W	1"
3	PORT TYPE
1	NPT
2	SAE J1996
3	SAE AS5202

4	SEAT MATERIAL
C	PCTFE
P	PEEK
V	Vespel® SP-1
5 6	O-RING MATERIAL
00	Buna-N
01	Aflas®
02	Viton-A®
05	EPDM
11	Kalrez® <i>Contact Premier for pricing</i>
12	Nitrile, low temperature

LASER MARKING MODIFIER	
BLANK	CUSTOMER SPEC. CODE '0'
1	CUSTOMER SPEC. CODE '1'
Z	GENERIC MARKING (MAX PRESS, FLOW DIRECTION, MANUFACTURER AND PART #)
<p>CONTACT PREMIER TO REQUEST CUSTOM MARKING AND TO GET YOUR LASER MARKING CODE NUMBER.</p>	

END USER IS RESPONSIBLE FOR ENSURING THAT ALL FITTINGS AND PLUMBING USED WITH THIS VALVE ARE RATED APPROPRIATELY FOR THE APPLICATION.

Kalrez®, Vespel®, and Viton® are registered trademarks of E.I. du Pont de Nemours and Company.

PEEK® is a registered trademark of Victrex PLC

AFLAS® is a registered trademark of the Asahi Glass Co., Ltd.

Contact factory for material certifications. Fees may apply.

PART NUMBER: 70-1300A

SPECIFICATIONS

- **MAXIMUM OPERATING PRESSURE :**
 - 10000 PSIG / 690 BAR
- **FLOW Cv:** 0.42
 - 1/2" FNPT: 2.3 Cv
 - 1/2" SAE J1926: 2.3 Cv
 - 1/2" SAE AS5202: 2.3 Cv
 - 9/16" MEDIUM PRESSURE: 2.0 Cv

PORTING

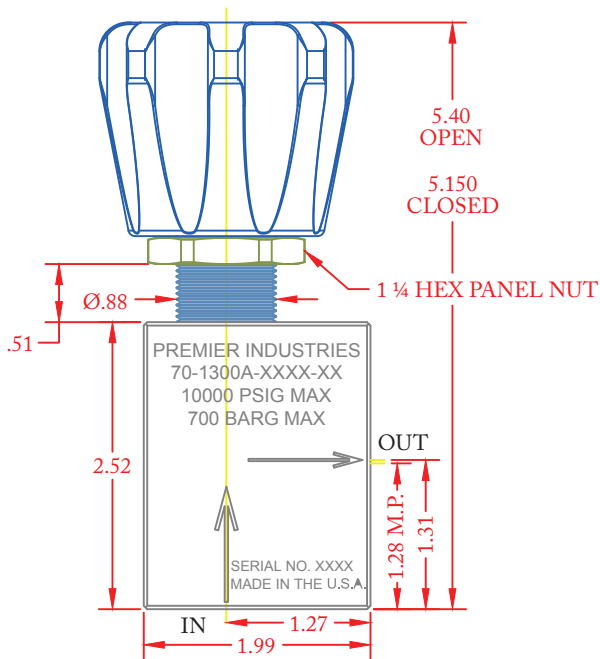
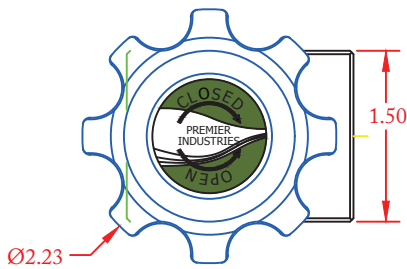
- **INLET/OUTLET PORTING:**
 - 1/2" FNPT, SAE J1926, SAE AS5202
 - 9/16" MEDIUM PRESSURE
- **PATTERN:**
 - ANGLE

MATERIALS OF CONSTRUCTION

- **BODY:**
 - 316 Stainless Steel
- **VALVE SEAT:**
 - PEEK®
 - Vespel SP-1®
- **VALVE STEM, LOWER:**
 - 316 Stainless Steel
- **VALVE STEM, UPPER:**
 - Toughmet® 3
- **O-RING:**
 - BUNA-N
 - AFLAS®
 - Viton-A®
 - EPDM
 - Polyurethane
 - Kalrez®
 - Nitrile, lo-temp
- **BACK-UP RINGS:**
 - PCTFE
- **WETTED, OTHER:**
 - 316 Stainless Steel

*Kalrez®, Vespel®, and Viton® are registered trademarks of E.I. duPont de Nemours and Company.
PEEK® is a registered trademark of Victrex PLC
AFLAS® is a registered trademark of the Asahi Glass Co., Ltd.
Toughmet® 3 is a registered trademark of Materion Corporation*

PART NUMBER: 70-1300A



PART #	1	-	2	3	4	5	-	6 7	-	MODS
70-1300		-					-		-	

1	PATTERN
A	Angle
2	MATERIALS OF CONSTRUCTION
S	316 Stainless Steel Body
3	PORT SIZE
8	1/2"*
9	9/16"***
<p><i>*1/2" NOT AVAILABLE IN MEDIUM PRESSURE</i></p> <p><i>**9/16" ONLY AVAILABLE IN MEDIUM PRESSURE</i></p>	
4	PORT TYPE
1	NPT
2	SAE J1996
3	SAE AS5202
4	Medium Pressure

5	SEAT MATERIAL
P	PEEK
V	Vespel® SP-1
6 7	O-RING MATERIAL
00	BUNA-N
01	AFLAS®
02	VITON-A®
05	EPDM
08	POLYURETHANE
11	KALREZ® <i>Contact Premier for pricing</i>
12	NITRILE, LO-TEMP

MODIFICATIONS	
BLANK	NONE
AC	Krytox 240AC

Kalrez®, Vespel®, and Viton® are registered trademarks of E.I. du Pont de Nemours and Company. PEEK® is a registered trademark of Victrex PLC

Contact factory for material certifications. Fees may apply.

PART NUMBER: 70-1300G

SPECIFICATIONS

- **DESIGN PRESSURE :**
 - 10000 PSIG (689.5 bar)
- **FLOW Cv:** 1.6

PORTING

- **INLET/OUTLET PORTING OPTIONS:**
 - 1/2" NPT, SAE J1926, MS 33649
 - 9/16" Medium Pressure

MATERIALS OF CONSTRUCTION

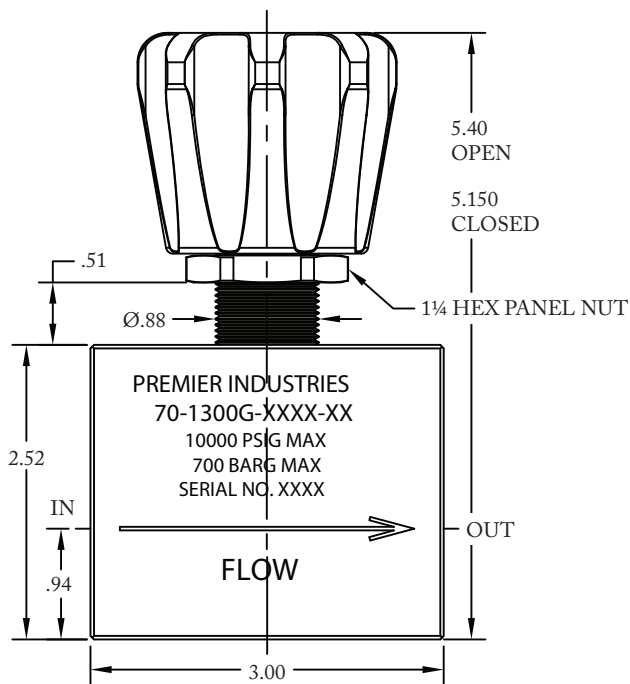
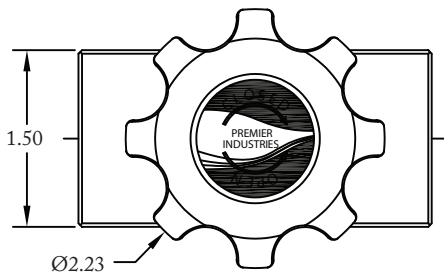
WETTED:

- **BODY MATERIAL:**
 - 316 Stainless Steel
- **VALVE SEAT:**
 - Vespel SP-1®
- **VALVE STEM:**
 - Nitronic® 60 Stainless Steel
- **O-RING OPTIONS:**
 - Buna-N
 - AFLAS®
 - Viton-A®
 - EPDM
 - Kalrez®
 - Nitrile, lo-temp
- **BACK-UP RING:**
 - PCTFE
- **OTHER WETTED PARTS:**
 - 316 Stainless Steel

NON-WETTED:

- **KNOB MATERIAL:**
 - 6061-T6 Aluminum, black anodize

PART NUMBER: 70-1300G



PART #	1	-	2	3	4	5	-	6 7	-	MODS
70-1300		-					-		-	

1	PATTERN
G	Globe
2	MATERIALS OF CONSTRUCTION
S	316 Stainless Steel Body
3	PORT SIZE
8	1/2"*
9	9/16"***
<i>*1/2" not available in medium pressure **9/16" only available in medium pressure</i>	
4	PORT TYPE
1	NPT
2	SAE J1996
3	MS 33649
4	Medium Pressure

5	SEAT MATERIAL
P	PEEK
V	Vespel® SP-1
6 7	O-RING MATERIAL
00	BUNA-N
01	AFLAS®
02	VITON-A®
05	EPDM
08	POLYURETHANE
11	KALREZ® <i>Contact Premier for pricing</i>
12	NITRILE, LOW TEMP

MODIFICATIONS	
BLANK	NONE
AC	Krytox 240AC

Kalrez®, Vespel®, and Viton® are registered trademarks of E.I. duPont de Nemours and Company. PEEK® is a registered trademark of Victrex PLC

Contact factory for material certifications. Fees may apply.

PART NUMBER: 70-2100AB

SPECIFICATIONS

- **MAXIMUM OPERATING PRESSURE :**
 - PTFE seat, SAE 360 Brass body:
 - 3500 PSIG / 241 BAR
 - PTFE seat, 316 Stainless Steel body:
 - 3500 PSIG / 241 BAR
 - PCTFE seat, SAE 360 Brass body:
 - 6000 PSIG / 414 BAR
 - PCTFE seat, 316 Stainless Steel body:
 - 6000 PSIG / 414 BAR
 - PEEK® seat, SAE 360 Brass body:
 - 6000 PSIG / 414 BAR
 - PEEK® seat, 316 Stainless Steel body:
 - 10000 PSIG / 690 BAR
 - Vespel SP-1® seat, SAE 360 Brass body:
 - 6000 PSIG / 414 BAR
 - Vespel SP-1® seat, 316 Stainless Steel body:
 - 10000 PSIG / 690 BAR
- **LEAK RATE:** Bubble Tight

MATERIALS OF CONSTRUCTION

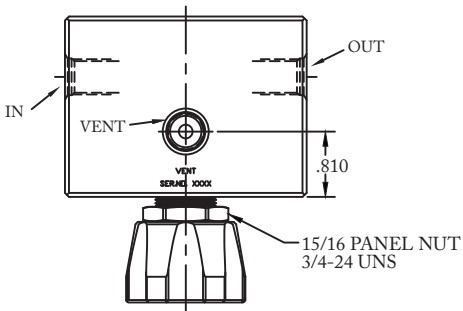
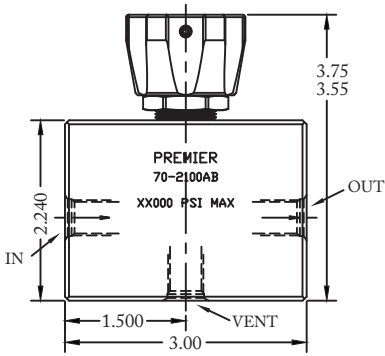
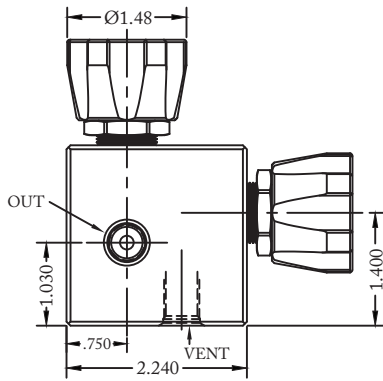
- **BODY:**
 - 316 Stainless Steel
 - SAE 360 Brass
- **VALVE SEAT:**
 - PTFE
 - PCTFE
 - PEEK®
 - Vespel SP-1®
- **VALVE STEM:**
 - 17-4 Stainless Steel (Hardened)
- **O-RING:**
 - BUNA-N
 - AFLAS®
 - Viton-A®
 - EPDM
 - Kalrez®
 - Nitrile, lo-temp
- **BACK-UP RING:**
 - PTFE
 - PCTFE
- **WETTED PARTS:**
 - 316 Stainless Steel
 - 17-4 Stainless Steel
 - Nitronic® 60 Stainless Steel
 - PEEK®

*Kalrez®, Vespel®, and Viton® are registered trademarks of E.I. du Pont de Nemours and Company.
PEEK® is a registered trademark of Victrex PLC
AFLAS® is a registered trademark of the Asahi Glass Co., Ltd.*

PORTING

- **INLET/OUTLET PORTING**
 - 1/4" NPT, SAE J1926, MS 33649
 - 1/2" NPT, SAE J1926, MS 33649

PART NUMBER: 70-2100AB



PART #	-	1	2	3	4	-	5	6
70-2100AB	-					-		

1	MATERIALS OF CONSTRUCTION
B	SAE 360 Brass Body
S	316 Stainless Steel Body
2	PORT SIZE
4	1/4"
8	1/2"
3	PORT TYPE
1	NPT
2	SAE J1926
3	SAE AS5202 / MS33649

4	SEAT MATERIAL
T	PTFE
C	PCTFE
P	PEEK®
V	VESPEL SP-1®
5 6	O-RING MATERIAL
00	BUNA-N
01	AFLAS®
02	VITON-A®
05	EPDM
11	KALREZ®
12	NITRILE, LO-TEMP

AFLAS® is a registered trademark of the Asahi Glass Co., Ltd.

PEEK® is a registered trademark of Victrex PLC

Kalrez®, Vespel® & Viton® are registered trademarks of E.I.duPont de Nemours and Company.